



# Small Gear Reducer (Motor) 小型齒輪減速(馬達)

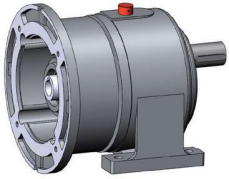
<b>0.2KW(1/4HP)</b>	
臥式 Horizontal Type	
Type: GHM	

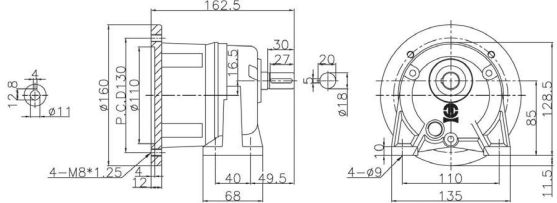
圖 M7 18	<b>GHM-18-200-5S~30S</b>
	
2.7Kg / 0.13L	RATIO      5,10,12.5,15,20,25,30

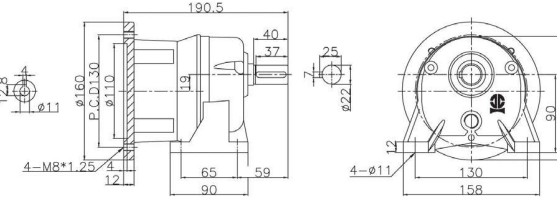
圖 M8 22	<b>GHM-22-200-5S~100S</b>
	
3.6Kg / 0.22L	RATIO      5,10,12.5,15,20,25,30,40,50,60,75,90,100

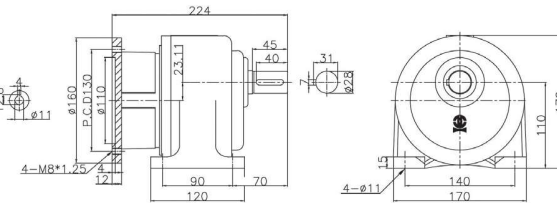
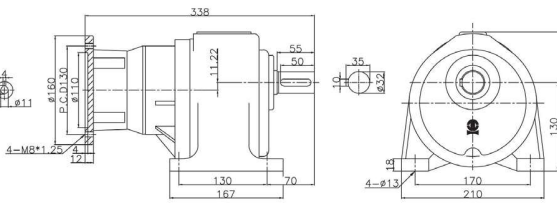
圖 M9 28	<b>GHM-28-200-100S~200S</b>
	
6.1Kg / 0.53L	RATIO      100,120,150,180,200

圖 M10 32	<b>GHM-32-200-250S~1800S</b>
	
21.5Kg / 1.02L	RATIO      250,300,···,1500,1800

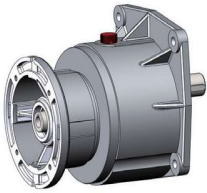
<b>0.2KW(1/4HP)</b>	
立式 Vertical Type	
Type: GVM	

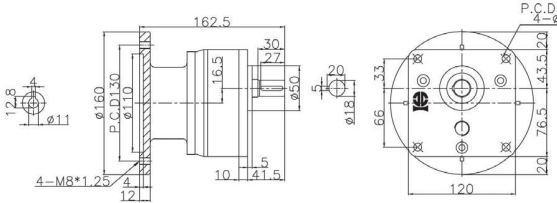
圖 A11 18	<b>GVM-18-200-5S~30S</b>
	
2.7Kg / 0.13L	RATIO      5,10,12.5,15,20,25,30

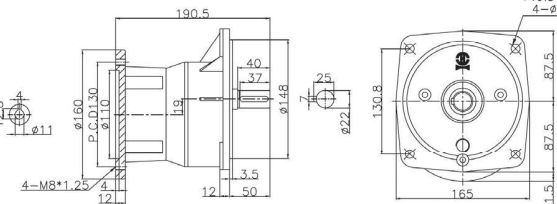
圖 M12 22	<b>GVM-22-200-5S~100S</b>
	
4.0Kg / 0.22L	RATIO      5,10,12.5,15,20,25,30,40,50,60,75,90,100

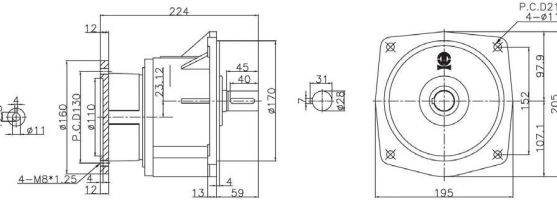
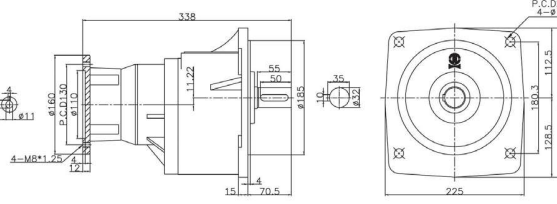
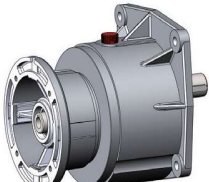
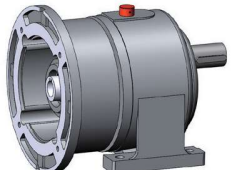
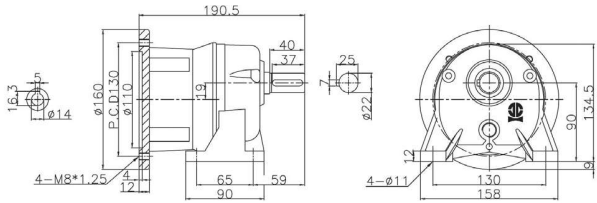
圖 M13 28	<b>GVM-28-200-100S~200S</b>
	
6.9Kg / 0.53L	RATIO      100,120,150,180,200

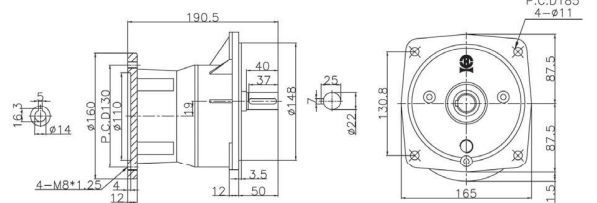
圖 M14 32	<b>GVM-32-200-250S~1800S</b>
	
21.4Kg / 1.02L	RATIO      250,300,···,1500,1800

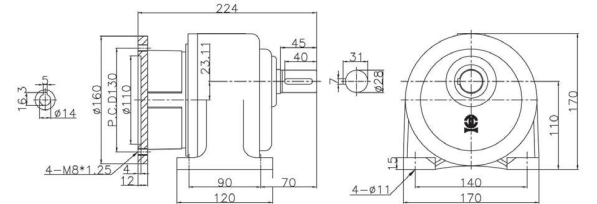
# 小型齒輪減速(馬達) Small Gear Reducer (Motor)

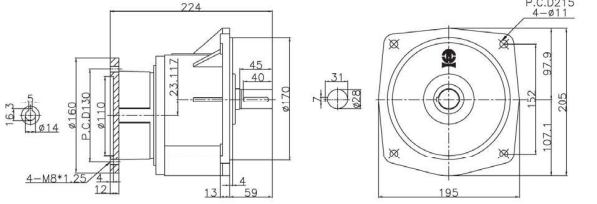
<b>0.4KW(1/2HP)</b>	
臥式 Horizontal Type	
Type: GHM	

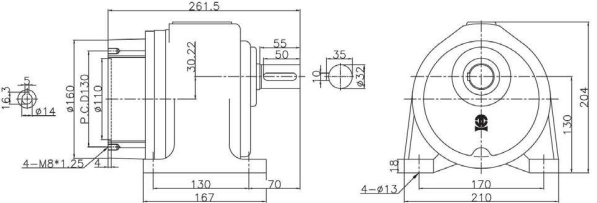
<b>0.4KW(1/2HP)</b>	
立式 Vertical Type	
Type: GVM	

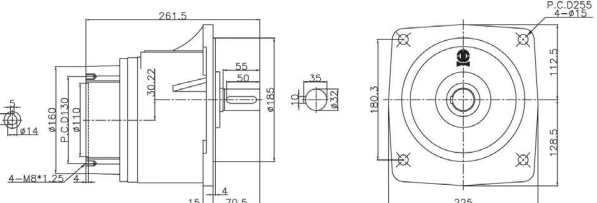
<b>M15</b> 22	<b>GHM-22-400-5S~25S</b>
	
3.5Kg / 0.22L	RATIO 5,10,12.5,15,20,25

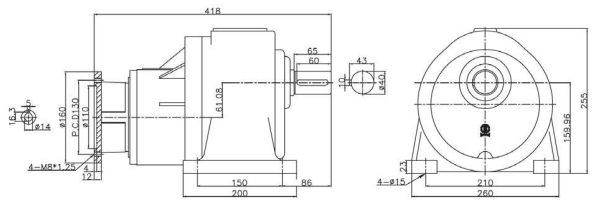
<b>M19</b> 22	<b>GVM-22-400-5S~25S</b>
	
3.9Kg / 0.22L	RATIO 5,10,12.5,15,20,25

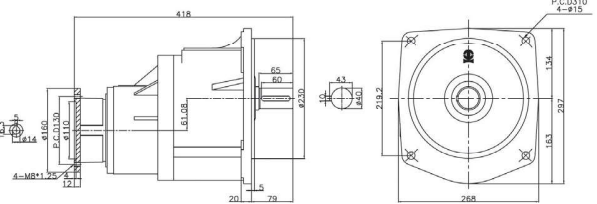
<b>M16</b> 28	<b>GHM-28-400-5S~90S</b>
	
6.1Kg / 0.53L	RATIO 5,10,12.5,15,20,25,30,40,50,60,75,90

<b>M20</b> 28	<b>GVM-28-400-5S~90S</b>
	
6.9Kg / 0.53L	RATIO 5,10,12.5,15,20,25,30,40,50,60,75,90

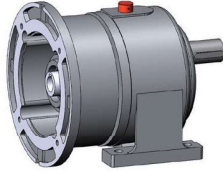
<b>M17</b> 32	<b>GHM-32-400-100S~200S</b>
	
22.2Kg / 0.80L	RATIO 100,120,150,180,200

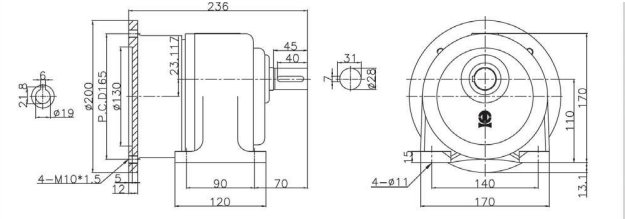
<b>M21</b> 32	<b>GVM-32-400-100S~200S</b>
	
22.1Kg / 0.80L	RATIO 100,120,150,180,200


<b>M18</b> 40	<b>GHM-40-400-250S~1800S</b>
	
41.3Kg / 2.00L	RATIO 250,300,···,1500,1800

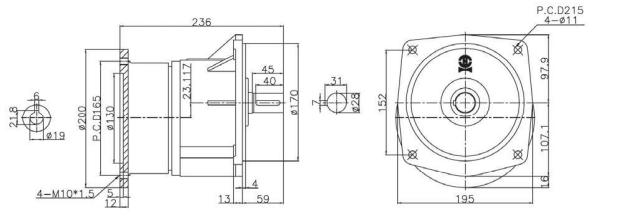
<b>M22</b> 40	<b>GVM-40-400-250S~1800S</b>
	
41.7Kg / 2.00L	RATIO 250,300,···,1500,1800

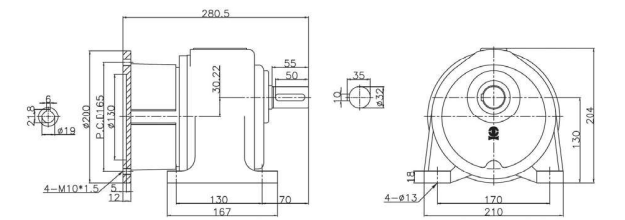
# Small Gear Reducer (Motor) 小型齒輪減速(馬達)

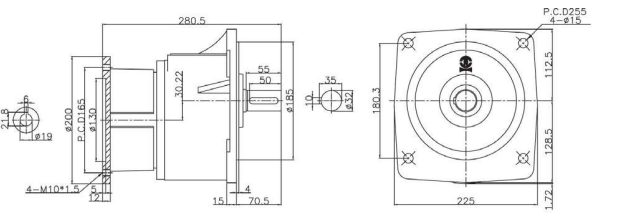
<b>0.75KW(1HP)</b>	
臥式 Horizontal Type	
Type: GHM	

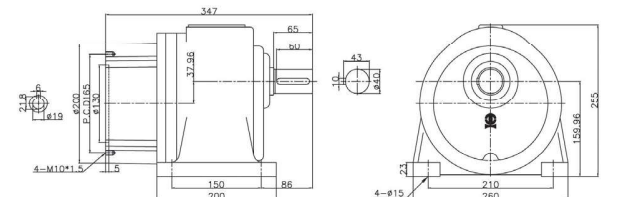
<b>M23</b> 28	<b>GHM-28-750-5S~25S</b>
	
6.9Kg / 0.53L	RATIO 5,10,12.5,15,20,25

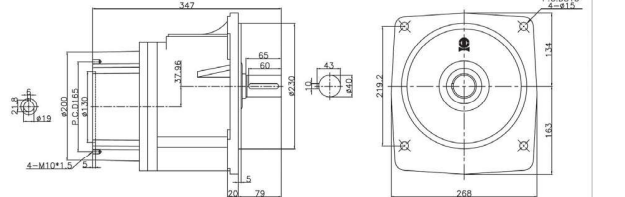
<b>0.75KW(1HP)</b>	
立式 Vertical Type	
Type: GVM	

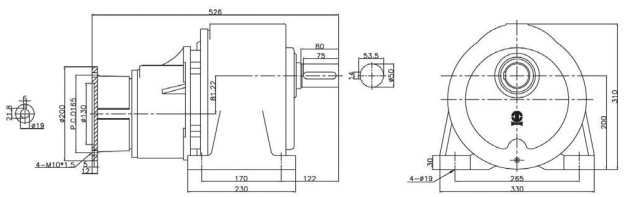
<b>M27</b> 28	<b>GVM-28-750-5S~25S</b>
	
7.7Kg / 0.53L	RATIO 5,10,12.5,15,20,25

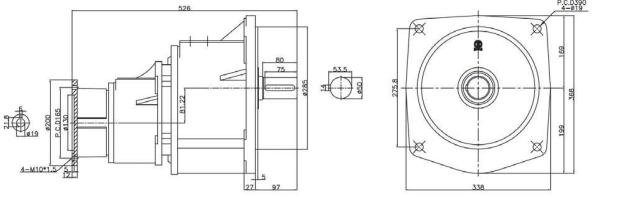
<b>M24</b> 32	<b>GHM-32-750-30S~120S</b>
	
23.7Kg / 0.80L	RATIO 30,40,50,60,75,90,100,120

<b>M28</b> 32	<b>GVM-32-750-30S~120S</b>
	
23.6Kg / 0.80L	RATIO 30,40,50,60,75,90,100,120

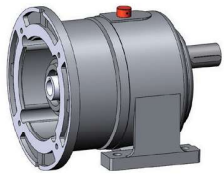
<b>M25</b> 40	<b>GHM-40-750-40S~200S</b>
	
44.7Kg / 2.00L	RATIO 40,50,60,75,90,100,120,150,180,200

<b>M29</b> 40	<b>GVM-40-750-40S~200S</b>
	
45.1Kg / 2.00L	RATIO 40,50,60,75,90,100,120,150,180,200

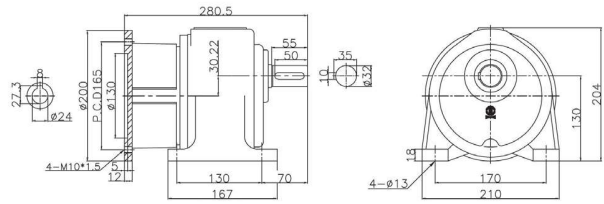
<b>M26</b> 50	<b>GHM-50-750-250S~1800S</b>
	
91.5Kg / 4.00L	RATIO 250,300,···,1500,1800

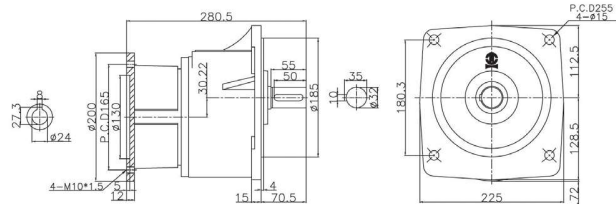
<b>M30</b> 50	<b>GVM-50-750-250S~1800S</b>
	
91.1Kg / 4.00L	RATIO 250,300,···,1500,1800

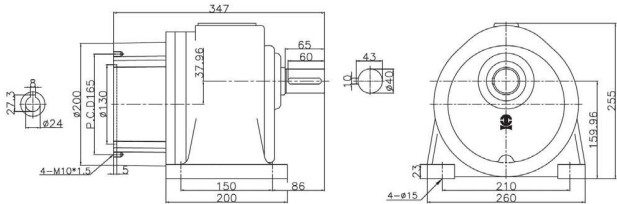
# 小型齒輪減速(馬達) Small Gear Reducer (Motor)

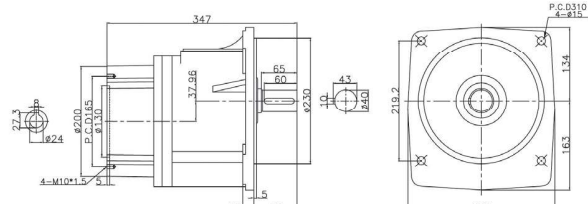
<b>1.5KW(2HP)</b>	
臥式 Horizontal Type	
Type: GHM	

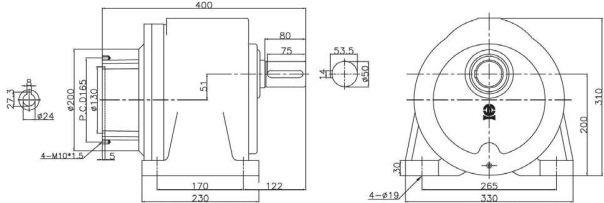
<b>1.5KW(2HP)</b>	
立式 Vertical Type	
Type: GVM	

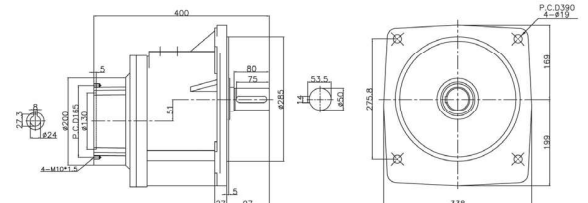
<b>M31</b> 32	<b>GHM-32-1500-5S~30S</b>	
		
23.6Kg / 0.80L	RATIO	5,10,12.5,15,20,25,30

<b>M34</b> 32	<b>GVM-32-1500-5S~30S</b>	
		
23.5Kg / 0.80L	RATIO	5,10,12.5,15,20,25,30

<b>M32</b> 40	<b>GHM-40-1500-40S~100S</b>	
		
44.6Kg / 2.00L	RATIO	40,50,60,75,90,100

<b>M35</b> 40	<b>GVM-40-1500-40S~100S</b>	
		
45.0Kg / 2.00L	RATIO	40,50,60,75,90,100

<b>M33</b> 50	<b>GHM-50-1500-120S~200S</b>	
		
80.0Kg / 3.20L	RATIO	120,150,180,200

<b>M36</b> 50	<b>GVM-50-1500-120S~200S</b>	
		
79.6Kg / 3.20L	RATIO	120,150,180,200

# Small Gear Reducer (Motor) 小型齒輪減速(馬達)

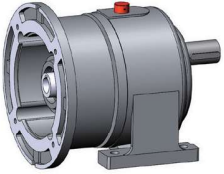
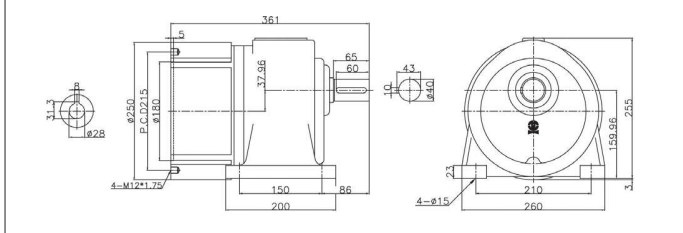
<b>2.2KW(3HP)</b>	
臥式 Horizontal Type	
Type: GHM	

圖 M37 40	<b>GHM-40-2200-5S~40S</b>
-------------	---------------------------



48.7Kg / 2.00L	RATIO	5,10,12.5,15,20,25,30,40
----------------	-------	--------------------------


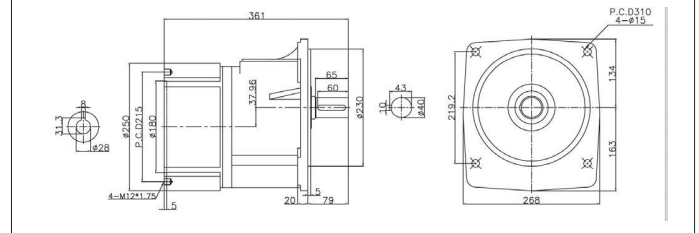
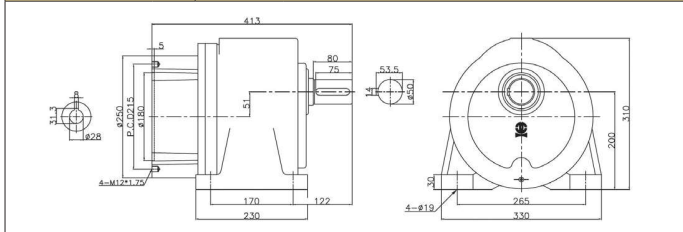
<b>2.2KW(3HP)</b>	
立式 Vertical Type	
Type: GVM	

圖 M39 40	<b>GVM-40-2200-5S~40S</b>
-------------	---------------------------



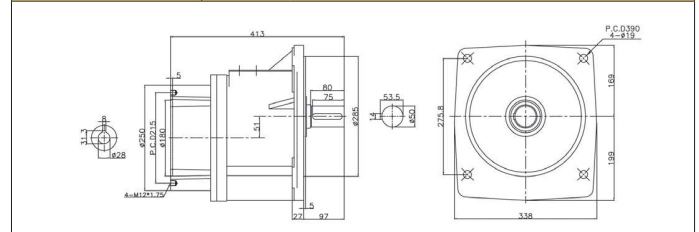
49.1Kg / 2.00L	RATIO	5,10,12.5,15,20,25,30,40
----------------	-------	--------------------------

圖 M38 50	<b>GHM-50-2200-50S~100S</b>
-------------	-----------------------------



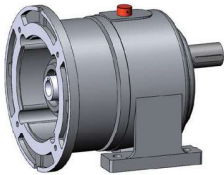
85.6Kg / 3.20L	RATIO	50,60,75,90,100
----------------	-------	-----------------


圖 M40 50	<b>GVM-50-2200-50S~100S</b>
-------------	-----------------------------


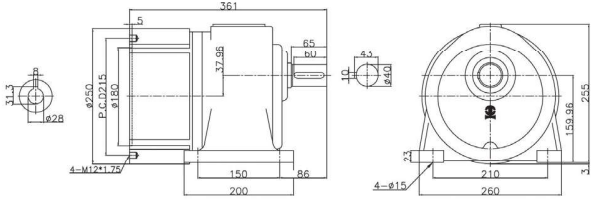



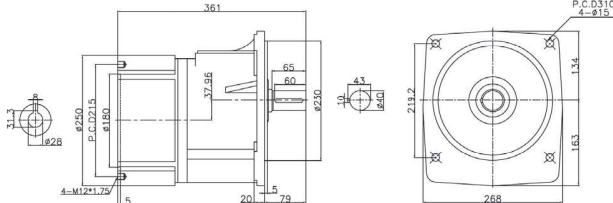
85.2Kg / 3.20L	RATIO	50,60,75,90,100
----------------	-------	-----------------


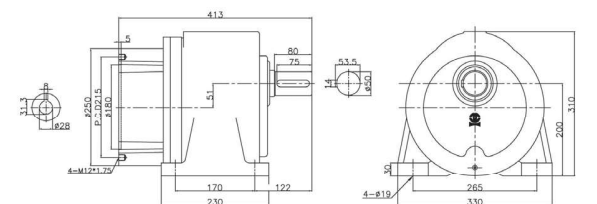
# 小型齒輪減速(馬達) Small Gear Reducer (Motor)


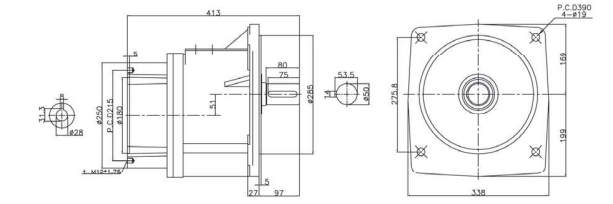
<b>3.7KW(5HP)</b>	
臥式 Horizontal Type	
Type: GHM	

<b>3.7KW(5HP)</b>	
立式 Vertical Type	
Type: GVM	

 M41 40	<b>GHM-40-3700-5S~20S</b>
	
48.7Kg / 2.00L	RATIO 5,10,12.5,15,20

 M43 40	<b>GVM-40-3700-5S~20S</b>
	
49.1Kg / 2.00L	RATIO 5,10,12.5,15,20

 M42 50	<b>GHM-50-3700-5S~60S</b>
	
85.6Kg / 3.20L	RATIO 5,10,12.5,15,20,25,30,40,50,60

 M44 50	<b>GVM-50-3700-5S~60S</b>
	
85.2Kg / 3.20L	RATIO 5,10,12.5,15,20,25,30,40,50,60