

Tecma®

Oil Mist Collection Air Purifier

- Buffer high-performance oil/gas separator
- High-performance multi-layer micro-processing filter bucket
- Energy-saving and carbon reduction Air purification and environmental protection
- Micro-pressure gauge display for cleaning and replacement
- Multiple purification patented technologies
- 5 years limited warrant



Environmental protection: The front-end stainless steel washable buffer high-performance oil gas separator can completely separate water from oil and oil from the air up to 95%.

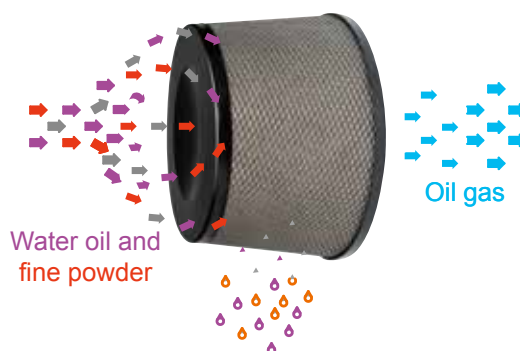
Energy-saving: The high-performance permeable impeller design saves energy because of its small-power and high-performance motor, small horse power and big wind volume.

Purification: Back-end high-performance multi-layer micro-filtration completely screens off oily smell during processing to accomplish air purification in the workplace.

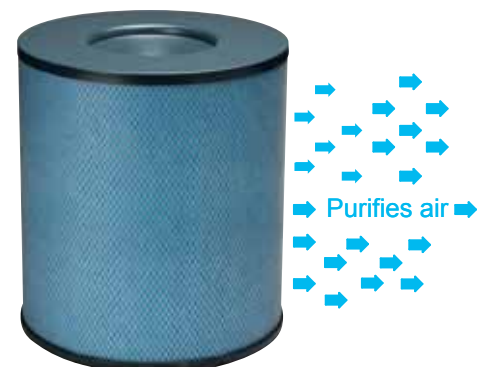
PATENT NO: (M557636)



Air-intake preliminary filter

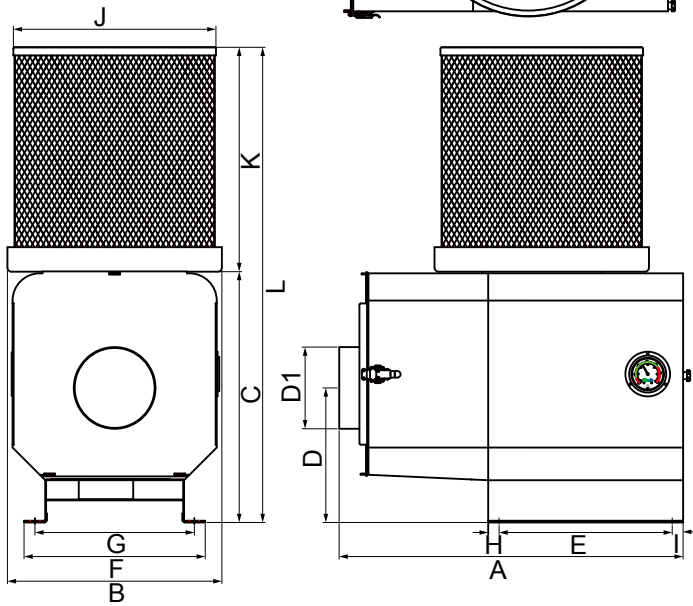


Buffer high-performance oil/gas separator



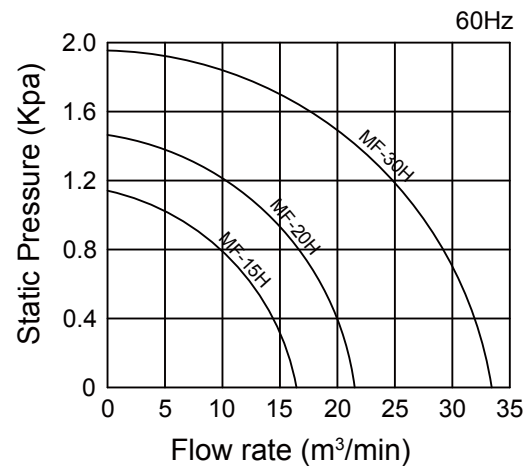
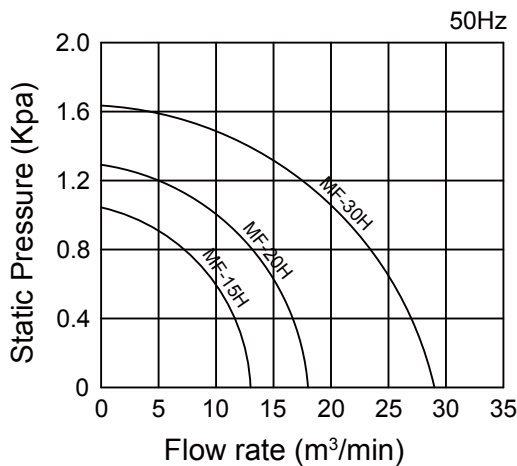
High-performance multi-layer micro-processing filter bucket

□ Specification



- Oil mist collection and purification performance is as high as 99.95% and is comparable to European Union Class H13.
- Small horse power, big wind, low noise, low vibration.
- 3D buffer oil gas separation patented design effectively intercepts 95% of the oil, water and mist.
- Unique permeable impeller structure features high-speed cyclone. Super powerful absorption and centrifugation contributes to optimum wind volume performance.
- Oil gas separation design and recycled processing lubricant and cutting oil do not need to be filtered again and can be used directly.
- Auxiliary filter cleaning and replacement indicator helps users know the exact time to clean and replace the filter.

□ Performance curves



Item MODEL	Power (Voltage)	Output (Kw)	Maximum Flow rate (m³/min)	Static Pressure (kpa)		Operating noise db(A)	Collection efficiency (%)	Weight (Kg)	Suction inlet diameter (mm)	Filtration Effect (m³)
				(50Hz / 60Hz)						
MF-15H	3-Phase AC380V or AC220V 50/60HZ	0.2	13/16.5	1.02/1.17		64/68	99.95% EURO Lv .H13	42 47 65	φ 150 φ 150 φ 198	≤ 5m³ ≤ 10m³ ≤ 18m³
MF-20H		0.4	18/21.5	1.28/1.48		65/69				
MF-30H		0.75	29/33.5	1.66/1.96		68/73				

Name MODEL	A	B	C	D	D1	E	F	G	H	I	J	K	L
MF-15H	629	380	428	231	150	325	308	268	20	20	φ 365	315	743
MF-20H	633	395	458	247	150	320	333	293	20	20	φ 365	415	873
MF-30H	750	470	524	292	198	378	397	357	25	25	φ 438	415	939



合鋼股份有限公司
AUTO SUPER CO., LTD.

43643台中市清水區中央北路2-26號

No.2-26, Zhongyang N. Rd., Qingshuei Dist, Taichung City 43643, Taiwan

Tel:886-4-26281790 Fax:886-4-26281792

Website: <http://www.autosuper-vise.com>

E-mail : autosupe@ms15.hinet.net - as@autosuper-vise.com