



LIANG LIH MACHINE CO., LTD.

DRILLING MACHINE
TAPPING MACHINE





LM-20



LM-25



LM-30

Specification:

Model	LM-20	LM-25	LM-30
Max .Drilling Capacity	20mm	25mm	30mm
Max .Tapping Capacity	M12	M16	M18
Spindle Taper	MT2	MT3	MT4
Spindle Stroke	90mm	120mm	140mm
Spindle Speed (H)	233-3100 rpm	233-1910 rpm	230-1910 rpm
(L)	117-1550 rpm	115-955 rpm	115-955 rpm
Column Diameter	80mm	92mm	102mm
Spindle of Column	180mm	230mm	230mm
Table Diameter (TS)	300x300mm	350x350mm	400x400mm
(TV)	300x300/4"vise	350x350/5"vise	400x400/5"vise
Base Diameter	320x520mm	380x570mm	380x570mm
Spindle to Table	175-710mm	240-730mm	180-650mm
Motor Power	0.375/0.75kw	0.56/1.1kw	0.75/1.5kw
Coolant	0.125kw	0.125kw	0.125kw
LED Light	24V	24V	24V
Overall Height	1710mm	1815mm	1830mm
Weight	120kgs	200kgs	230kgs



Drilling & Tapping Machine

**Model:MP-40
MPT-40**



Auto Feed



Standard Table (TG)



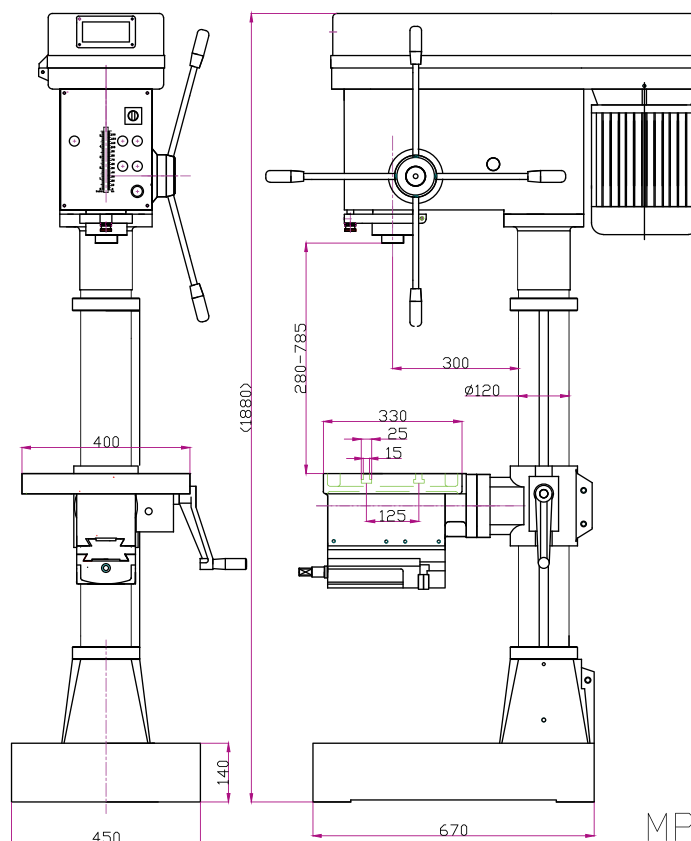
5\"/>



Cross Table (TC)

Specification:

Model	MP-40	MPA-40	MPT-40
Max .Drilling Capacity	40mm	40mm	40mm
Max .Tapping Capacity	-	-	M24
Spindle Taper	MT4	MT4	MT4
Spindle Stroke	130mm	130mm	130mm
Quill Feed	Manual	Automatic	Manual
	0.06-0.1-0.1mm		
Spindle Speed	270-470-730-1260-1590 rpm		
	136-235-366-630-795 rpm		
Column Diameter	120mm	120mm	120mm
Spindle to Column	300mm	300mm	300mm
Table Diameter	(TG)	330x400mm	330x400mm
	(TM)	330x400/5"Vise	330x400/5"Vise
	(TC)	255x630mm	255x630mm
Table Travel	(TC)	X-axis: 425mm Y-axis: 200mm Z-axis: 500mm	
Spindle to Table	(TG/TM)	280-785mm	280-785mm
	(TC)	140-640mm	140-640mm
Base Diameter	450x670mm	450x670mm	450x670mm
Motor (2-speed)	1.1 / 2.2kw	1.1 / 2.2kw	1.1 / 2.2kw
Coolant	0.125kw	0.125kw	0.125kw
LED Light	24V	24V	24V
Overall Height	1880mm	1880mm	1880mm
Weight	380kgs	380kgs	380kgs



MP40 TG/TM

**Model:MP-40EV
MPT-40EV**



Cross Table (TC)



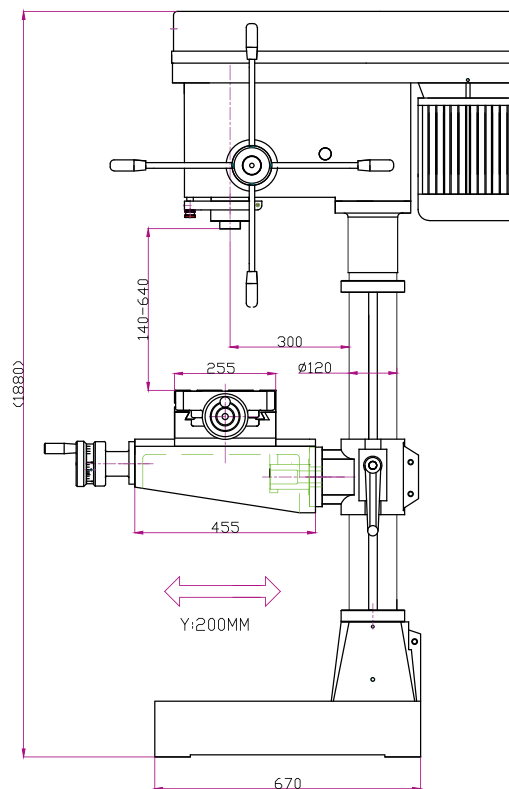
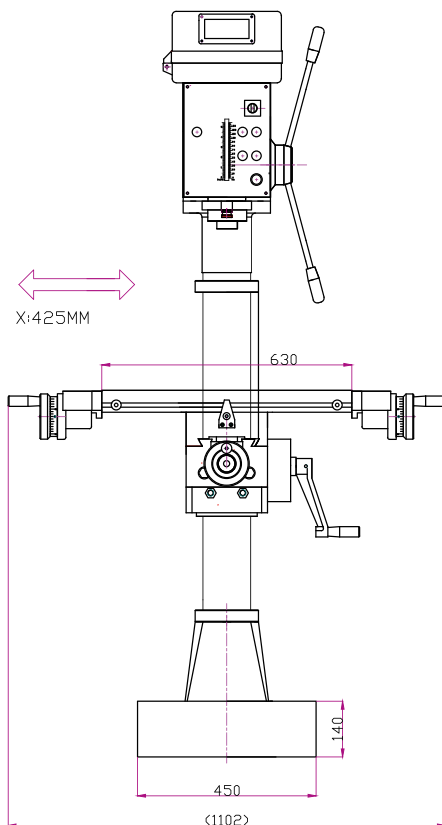
Standard Table (TG)

5"Vise Table (TM)



Specification:

Model	MP-40EV	MPA-40EV	MPT-40EV
Max .Drilling Capacity	40mm	40mm	40mm
Max .Tapping Capacity	-	-	M24
Spindle Taper	MT4	MT4	MT4
Spindle Stroke	130mm	130mm	130mm
Quill Feed	Manual	Automatic	Manual
	0.06-0.1-0.1mm		
Spindle Speed	370-880 rpm / 640-1540rpm		
	185-440 rpm / 320-770rpm		
Column Diameter	120mm	120mm	120mm
Spindle to Column	300mm	300mm	300mm
Table Diameter	(TG)	330x400mm	330x400mm
	(TM)	330x400/5"Vise	330x400/5"Vise
	(TC)	255x630mm	255x630mm
Table Travel	X-axis: 425mm Y-axis: 200mm Z-axis: 500mm		
Spindle to Table	(TG/TM)	280-785mm	280-785mm
	(TC)	140-640mm	140-640mm
Base Diameter	450x670mm	450x670mm	450x670mm
Motor (2-speed)	1.1 / 2.2kw	1.1 / 2.2kw	1.1 / 2.2kw
Coolant	0.125kw	0.125kw	0.125kw
LED Light	24V	24V	24V
Overall Height	1880mm	1880mm	1880mm
Weight	380kgs	380kgs	380kgs



MP40 TC

Model:MP-45MV MPT-45MV



Cross Table (TC)



Auto Feed

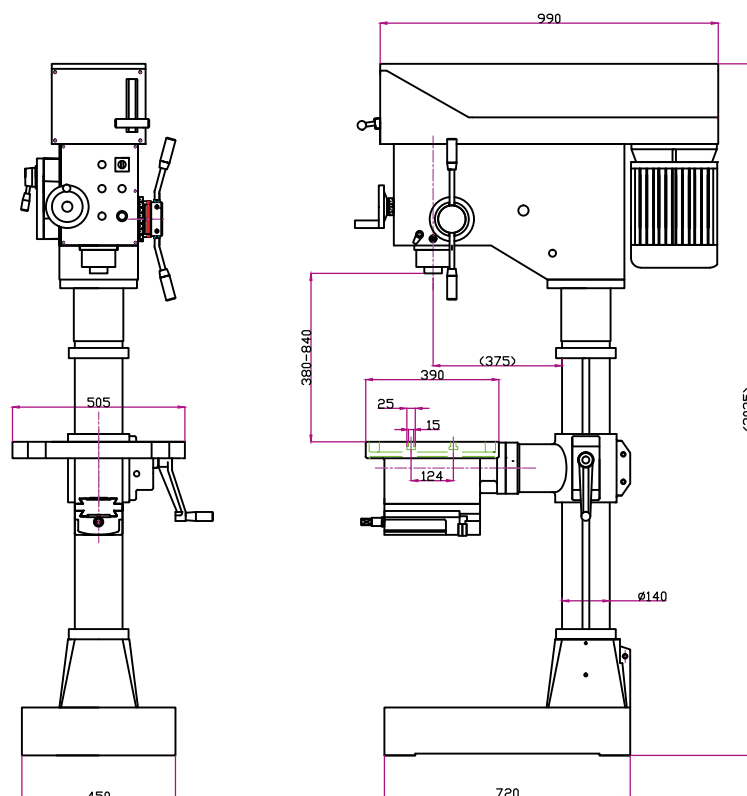
Standard Table (TG)

5"Vise Table (TM)



Specification:

Model	MP-45MV	MPT-45MV	
Max .Drilling Capacity	45mm	45mm	
Max .Tapping Capacity	-	M26	
Spindle Taper	MT4	MT4	
Spindle Stroke	130mm	130mm	
Quill Feed	Automatic	Manual	
	0.06-0.1-0.2mm	-	
Mechanic Variable Speed			
Spindle Speed (H)	240-1800 rpm	240-1800 rpm	
	(L)	170-900 rpm	170-900 rpm
Column Diameter	140mm	140mm	
Spindle to Column	375mm	375mm	
Table Diameter	(TG)	390x505mm	390x505mm
	(TM)	390x505/5"Vise	390x505/5"Vise
	(TC)	255x630mm	255x630mm
Table Travel (TC)	X-axis: 425mm Y-axis: 200mm Z-axis: 440mm		
Spindle to Table	(TG/TM)	380-840mm	380-840mm
	(TC)	220-660mm	220-660mm
Base Diameter	450x720mm	450x720mm	
Motor (2-speed)	1.5 / 3.0kw	1.5 / 3.0kw	
Coolant	0.125kw	0.125kw	
LED Light	24V	24V	
Overall Height	2025mm	2025mm	
Weight	500kgs	500kgs	



MP45 TG/TM

**Model:MP-45 / 45EV
MPT-45 / 45EV**



Cross Table (TC)

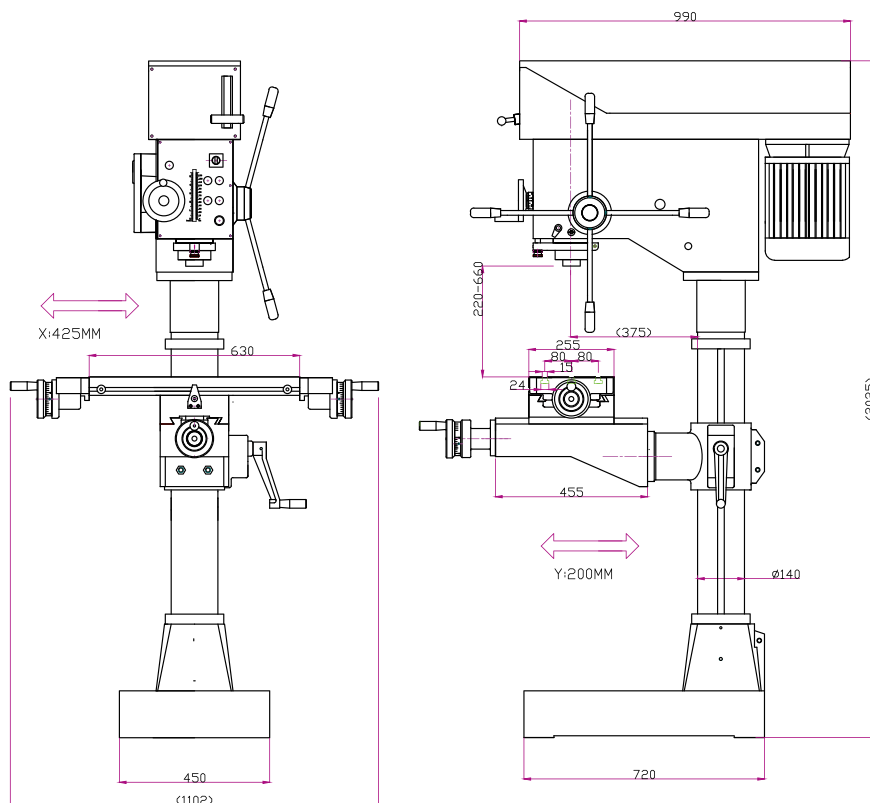
Standard Table (TG)

5"Vise Table (TM)



Specification:

Model	MP-45	MPT-45	MP-45EV	MPT-45EV
Max .Drilling Capacity	45mm	45mm	45mm	45mm
Max .Tapping Capacity	-	M26	-	M26
Spindle Taper	MT4	MT4	MT4	MT4
Spindle Stroke	130mm	130mm	130mm	130mm
Quill Feed	Automatic	Manual	Automatic	Manual
	0.06-0.1-0.2mm	-	0.06-0.1-0.2mm	-
Spindle Speed (H)	10-Speed 270-470-730-1260-1590 rpm		Inverter Variable Speed 370-880 rpm / 640-1540 rpm	
	(L)	135-235-365-630-795 rpm		185-440 rpm / 320-770 rpm
Column Diameter	140mm	140mm	140mm	140mm
Spindle to Column	375mm	375mm	375mm	375mm
Table Diameter	(TG)	390x505mm	390x505mm	390x505mm
	(TM)	390x505/4"Vise	390x505/5"Vise	390x505/5"Vise
	(TC)	255x630mm	255x630mm	255x630mm
Table Travel (TC)	X-axis: 425mm Y-axis: 200mm Z-axis: 440mm			
Spindle to Table (TG/TM)	380-840mm		380-840mm	
	(TC)	220-660mm		220-660mm
Basic Diameter	450x720mm	450x720mm	450x720mm	450x720mm
Motor (2-speed)	1.1 / 2.2kw	1.1 / 2.2kw	1.1 / 2.2kw	1.1 / 2.2kw
Coolant	0.125kw	0.125kw	0.125kw	0.125kw
LED Light	24V	24V	24V	24V
Overall Height	2025mm	2025mm	2025mm	2025mm
Weight	500kgs	500kgs	500kgs	500kgs



MP45 TC

**Model:MP-45G / 45GEV
MPT-45G / 45GEV**



Cross Table (TC)

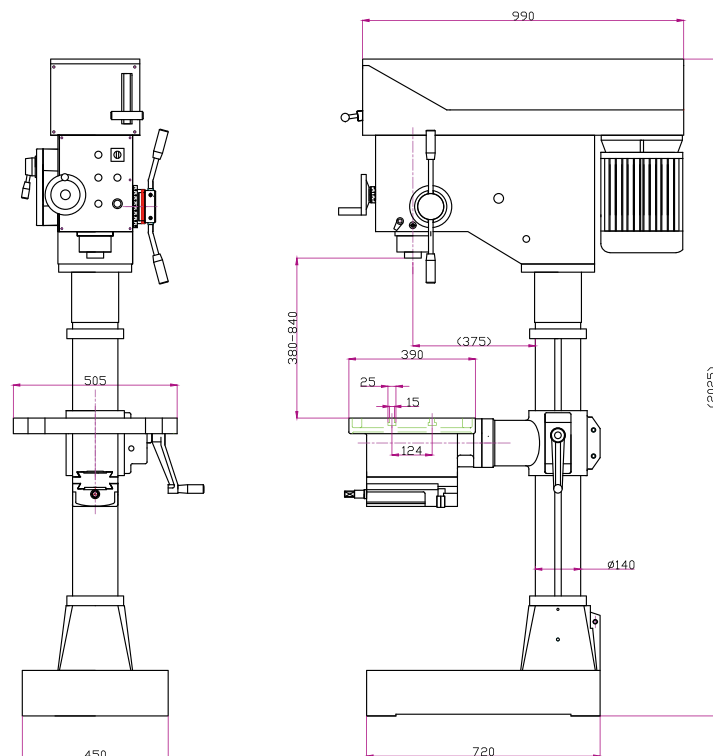
Standard Table (TG)

5"Vise Table (TM)



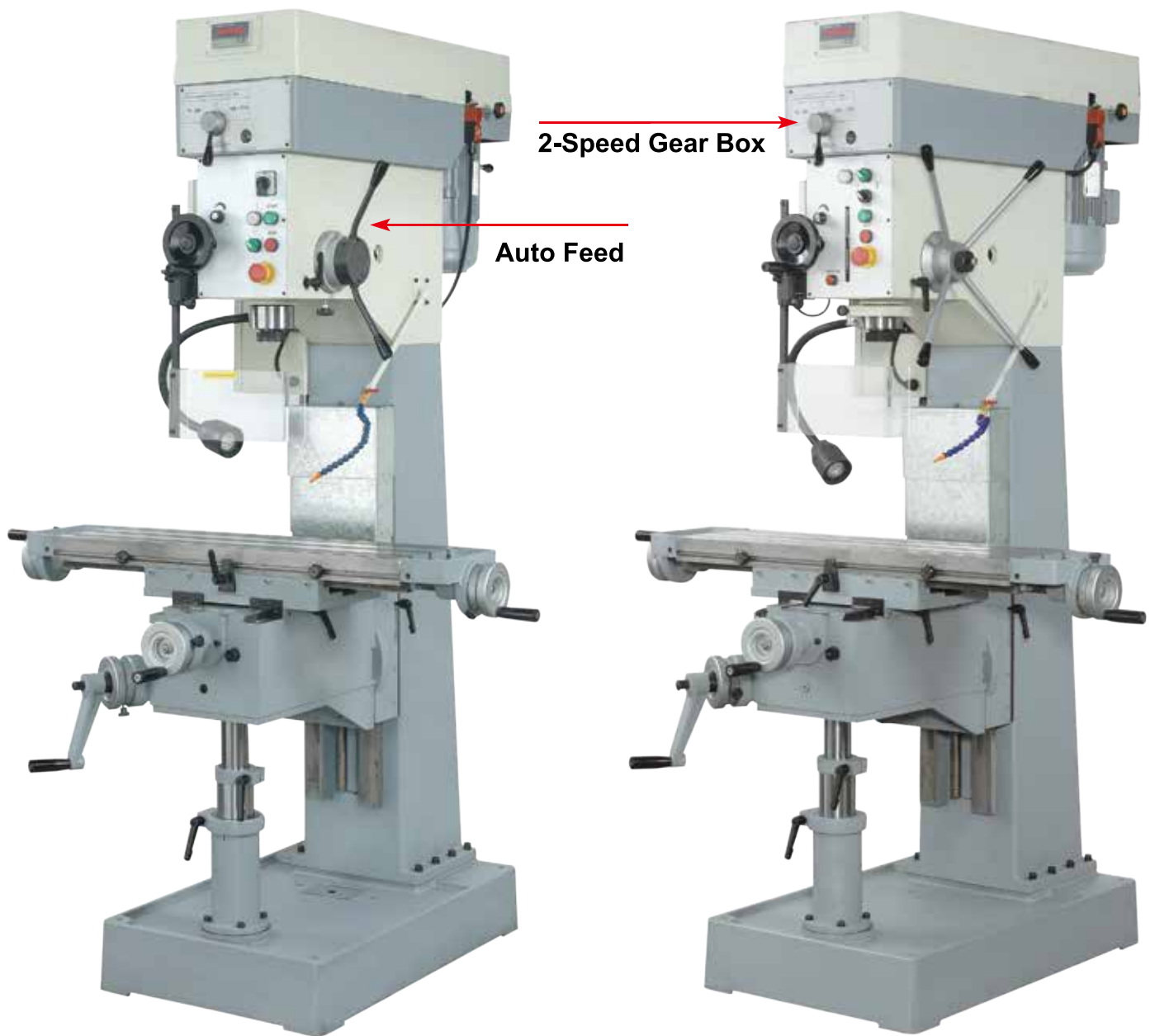
Specification:

Model	MP-45G	MPT-45G	MP-45GEV	MPT-45GEV
Max .Drilling Capacity	45mm	45mm	45mm	45mm
Max .Tapping Capacity	-	M26	-	M26
Spindle Taper	MT4	MT4	MT4	MT4
Spindle Stroke	130mm	130mm	130mm	130mm
Quill Feed	Automatic	Manual	Automatic	Manual
	0.06-0.1-0.2mm	-	0.06-0.1-0.2mm	-
Spindle Speed (H) (L)	2-Speed Gear Box 8-Speed 325-582-965-1658 rpm 54-97-160-276 rpm		2-Speed Gear Box Inverter Variable Speed 430-1720 rpm 70-280 rpm	
	Column Diameter	140mm	140mm	140mm
Spindle to Column	375mm	375mm	375mm	375mm
Table Diameter (TG) (TM) (TC)	390x505mm	390x505mm	390x505mm	390x505mm
	390x505/5"Vise	390x505/5"Vise	390x505/5"Vise	390x505/5"Vise
	255x630mm	255x630mm	255x630mm	255x630mm
Table Travel (TC)	X-axis: 425mm Y-axis: 200mm Z-axis: 440mm			
Spindle to Table (TG/TM) (TC)	380-840mm		380-840mm	
	220-660mm		220-660mm	
Base Diameter	450x720mm	450x720mm	450x720mm	450x720mm
Motor (2-speed)	1.5kw	1.5kw	1.5kw	1.5kw
Coolant	0.125kw	0.125kw	0.125kw	0.125kw
LED Light	24V	24V	24V	24V
Overall Height	2045mm	2045mm	2045mm	2045mm
Weight	550kgs	550kgs	550kgs	550kgs



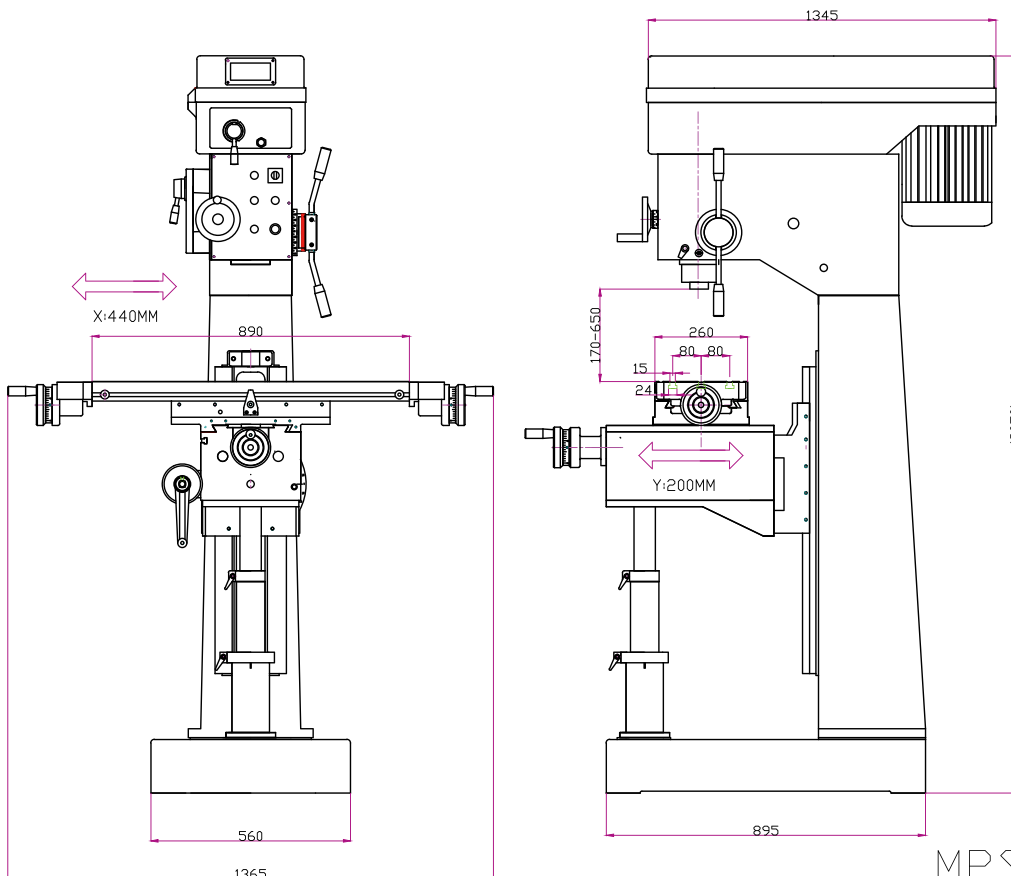
MP45 TG/TM

Model:MP5-45G / 45GEV
MPT5-45G / 45GEV



Specification:

Model	MPS-45G	MPTS-45G	MPS-45GEV	MPTS-45GEV
Max .Drilling Capacity	45mm	45mm	45mm	45mm
Max .Tapping Capacity	-	M26	-	M26
Spindle Taper	MT4	MT4	MT4	MT4
Spindle Stroke	130mm	130mm	130mm	130mm
Quill Feed	Automatic	Manual	Automatic	Manual
	0.06-0.1-0.2mm	-	0.06-0.1-0.2mm	-
Spindle Speed (H) (L)	2-Speed Gear Box 8-Speed 325-582-965-1658 rpm 54-97-160-276 rpm		2-Speed Gear Box Inverter Variable Speed 430-1720 rpm 70-280 rpm	
	Column Diameter	Square	Square	Square
Spindle to Column	325mm	325mm	325mm	325mm
Table Diameter	260-890mm	260-890mm	260-890mm	260-890mm
Table Travel	X-axis: 440mm Y-axis: 299mm Z-axis: 480mm			
Spindle to Table	170-650mm	170-650mm	170-650mm	170-650mm
Basic Diameter	895x560mm	895x560mm	895x560mm	895x560mm
Motor	2.25kw	2.25kw	2.25kw	2.25kw
Coolant	0.125kw	0.125kw	0.125kw	0.125kw
LED Light	24V	24V	24V	24V
Overall Height	2070mm	2070mm	2070mm	2070mm
Weight	850kgs	850kgs	850kgs	850kgs



MPS45 G/GEV



LIANG LIH MACHINE CO., LTD.

No. 247, Yasiou Rd., Daya Dist., Taichung City 428, Taiwan

TEL: 886-4-2560-1100 FAX: 886-4-2560-1012

E-mail: ktk.kaiwen@msa.hinet.net

<http://www.ktk-machinery.com>

<http://www.ktk.com.tw>

