

Mold Counter

For your injection molds
Monitor the usage of your mold
Gaurantee your right in a contract production

Before (0000000)



After (0000001)



**Germany, Taiwan and China
patented**

**7 digits and 6 digits
for different usage of molds**

2 million times warranty

**Highest temperature endurable
160°C/320°F**

**Serial number and tamper sticker
for each counter**

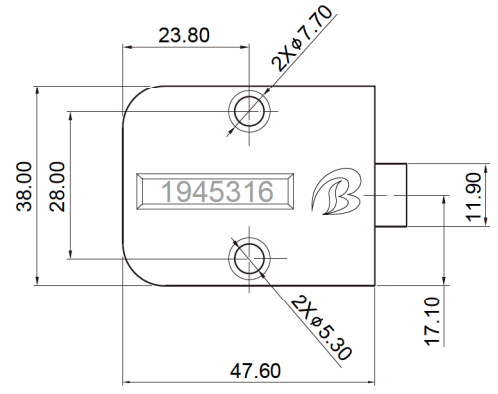
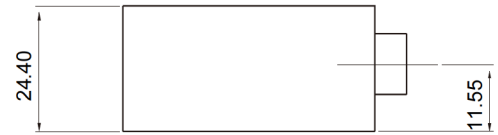
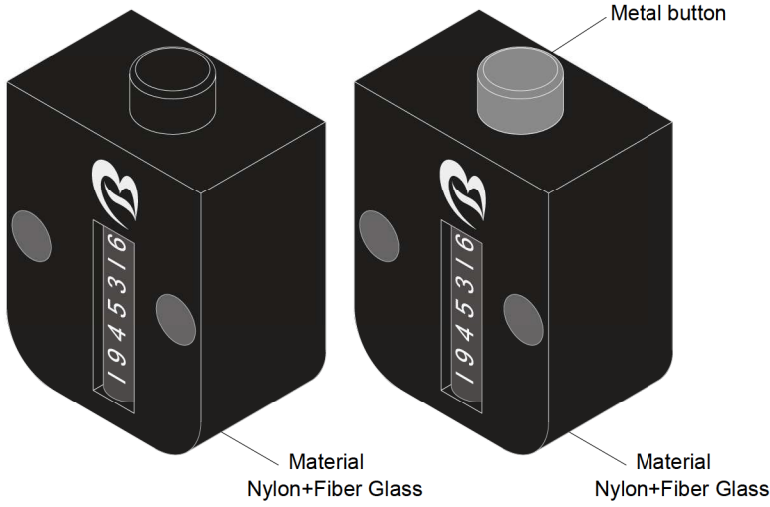
3 Workdays

MRSP-7

Temperature 120°C
7-digits

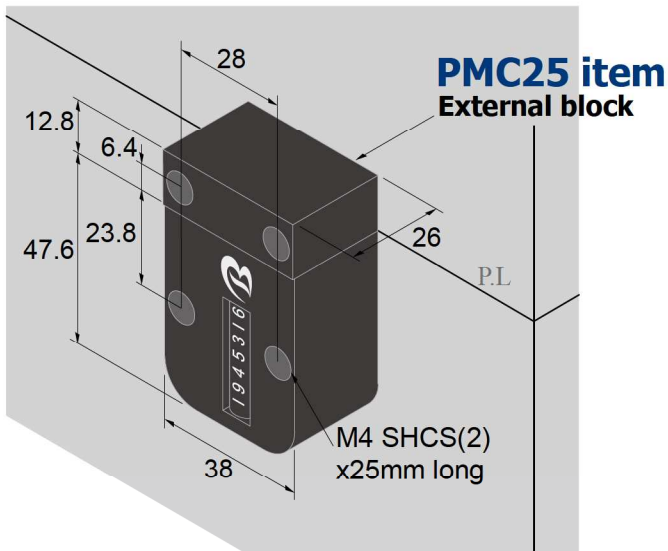
MRSP2-7

Temperature 160°C
7-digits

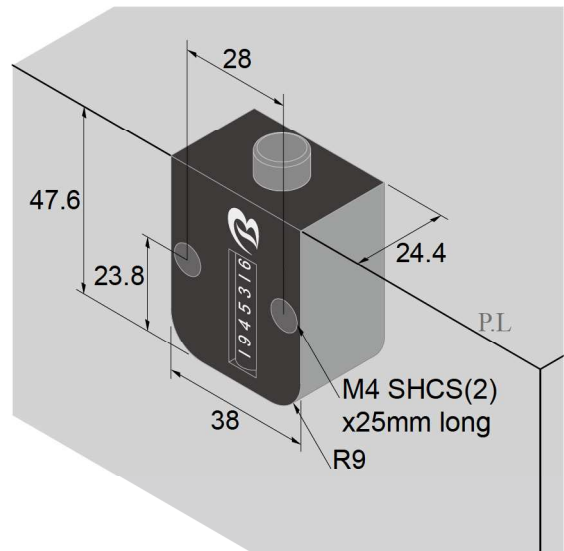


External Mount

No Pocket Machining Necessary



Embedded Mount

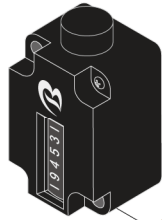


Material : Block:Blackening S45C
MRSP-7 x1 + PMC25 x1

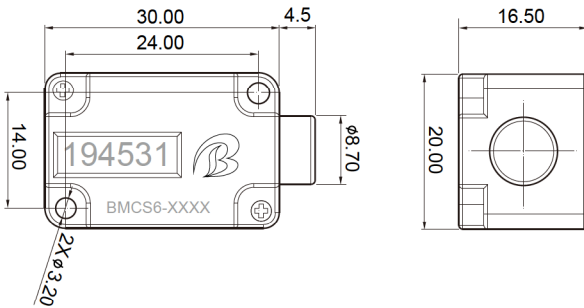
3 Workdays

BMCS-6

Temperature 120°C
6-digits
Square shape



Material
Nylon+Fiber Glass

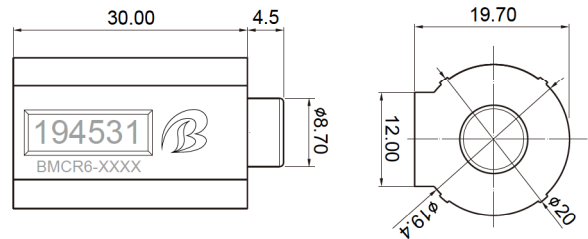


BMCR-6

Temperature 120°C
6-digits
Round shape



Material
Nylon+Fiber Glass

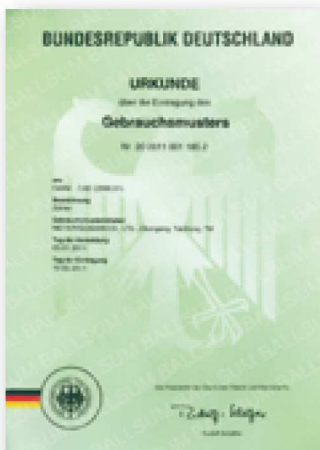


160°C test report



Temperature Resistance		
Test Equipment :		
Name	Brand	Model
OVEN	CHUNG CHUAN	DH1-600
Lab Environmental Conditions :		
Ambient temperature :	23±2°C	
Relative humidity :	65±5%RH	
Test Condition :		
Test Temperature :	160 °C	
Test Time :	30 minutes	
Test Result :		
Test Item(s)	Test Result(s)	
Temperature Resistance	The sample can calculate after test.	

Patented



Germany Patent #202011001185.2



China Patent #201020148872.X



Taiwan Patent #M381961



T-sense[®]
TSENSE TECHNOLOGY CO.,LTD
得盛世企業

6F.,No.100,Jian 1st Rd.,Zhonghe Dist.,New Taipei City 235,Taiwan(R.O.C)

TEL:+886-2-77298471 FAX:+886-2-22235743

E-mail:tsense@tsense-tw.com <http://en.toolsetter.tw>