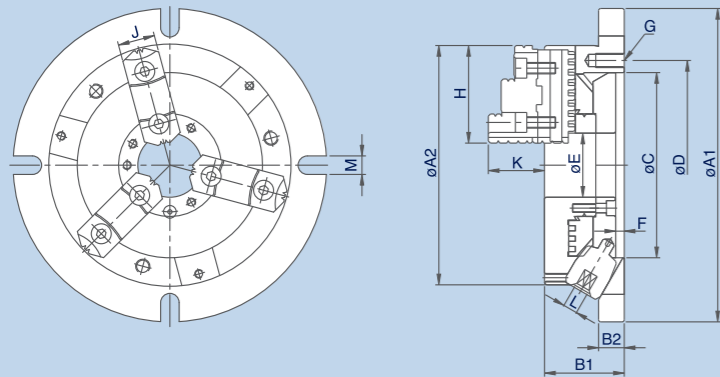


強力超薄型夾盤

- 1.把手和盤面成30°角，旋轉操作更便利。
- 2.薄型設計，可增加機械加工之容許長度。
- 3.外徑成凸緣設計，裝卸容易。
- 4.強力型設計可共用生爪。



尺寸圖 » Dimensions



- 1.The handle with an angle of 30 degrees is much convenient for operations.
- 2.The "super thin thickness" design of chucks increase the "allowable distance" of machining operations.
- 3.Chuck flange makes loading and unloading operations simpler and more convenient.
- 4.Hard jaws and Soft jaws can be used alternatively.

規格表 » Specifications

單位/UNIT:mm

型式/規格 MODEL /SPEC.	A1	A2	B1	B2	C	D
NBK-06	220	170	58	18	130	147
NBK-08	270	210	65	20	155	172
NBK-10	315	255	73	20	190	210
NBK-12	370	305	80	22	250	285
NBK-16	470	405	105	24	345	375
NBK-20	570	500	121	29	420	458

型式/規格 MODEL /SPEC.	E	F	G	H	J	K
NBK-06	45	6	3-M10x1.5P	68	26	40
NBK-08	60	6	3-M10x1.5P	82	28	43
NBK-10	80	6	3-M12x1.75P	93	32	52
NBK-12	105	5	3-M12x1.75P	118	40	59
NBK-16	160	7	6-M14x2P	150	50	75
NBK-20	220	7	6-M16x2P	140	55	84

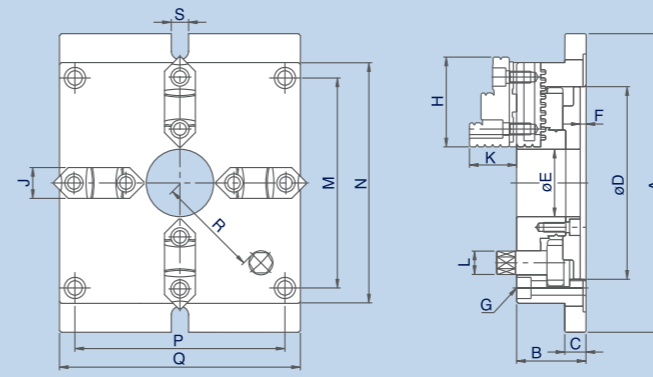
型式/規格 MODEL /SPEC.	L	M	把握範圍 Max.Gripping Diameter		淨重 Weight (kg)
			外徑把握 O.D.Clamping (mm)	內徑把握 I.D.Clamping (mm)	
NBK-06	10	13	ø8~ø160	ø48~ø150	10.6
NBK-08	11	13	ø11~ø200	ø62~ø190	18.1
NBK-10	12	16	ø12~ø250	ø72~ø240	27.9
NBK-12	14	18	ø15~ø300	ø86~ø290	42.9
NBK-16	15	18	ø60~ø410	ø145~ø388	--
NBK-20	19	18	ø86~ø500	ø245~ø488	150

方型超薄夾盤

- 1.MC 均為定寸研磨方式；任何相同規格之方型夾盤 W,X,Y,Z 各點之高度公差為0.05mm以內。
- 2.MC規格均可替換生爪，作不規則形狀之加工，以替代中心機大量治具，更經濟、方便。
- 3.硬爪重複夾持之精度公差為0.02mm 以內。
- 4.側邊平行校正後，硬爪夾持之平行公差為0.05mm以內。



尺寸圖 » Dimensions



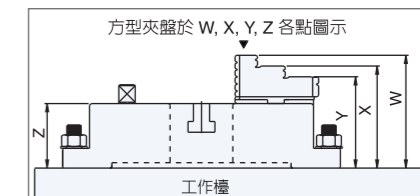
- 1.MC chucks are precisely ground, the tolerances of W,X,Y,Z among chucks are within 0.05mm.
- 2.Soft jaws can be used alternatively for machining special shaped work pieces, to substitute for designing and making a lot of jigs for this purpose.
- 3.The repetitive gripping accuracy with the hard jaws are within 0.02mm.
- 4.Parallel gripping accuracy with hard jaws can be controlled within 0.05mm after aligning sides of chucks.

規格表 » Specifications

規格表 » Specifications

型式/規格 MODEL /SPEC.	A	B	C	D	E	F	G	H	J	K	L	M
MC-06	215	57	18	130	40	5.5	4-M10x1.5P	68	26	39	14	144
MC-08	250	65	20	160	55	6	4-M12x1.75P	82	28	43	17	174
MC-10	310	72	22	200	70	6	4-M14x2P	93	32	50	21	218
MC-12	380	85	25	260	100	7	4-M16x2P	118	40	56	23	274

型式/規格 MODEL /SPEC.	N	P	Q	R	S	把握範圍 Max.Gripping Diameter		淨重 Weight (kg)
						外徑把握 O.D.Clamping (mm)	內徑把握 I.D.Clamping (mm)	
MC-06	165	144	165	66	18	ø4-ø128	ø55-ø128	11.4
MC-08	200	174	200	83	18	ø5-ø162	ø62-ø162	18.6
MC-10	250	218	250	104	18	ø6-ø200	ø72-ø200	31.6
MC-12	310	274	310	135	22	ø10-ø265	ø90-ø265	56.6



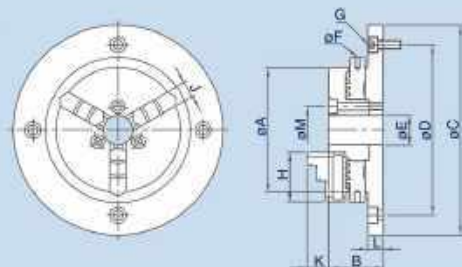
單位/UNIT:mm

SE SUPER THIN CHUCKS

超薄型夾盤

1. 輕、薄、短小的設計，適用於工件量測夾持。
2. 直接轉動旋盤，免於使用板手旋轉干涉。
3. 鋼製本體，耐用性甚佳。
4. 夾爪正反夾持兩用設計，操作方便。
5. 2"最小工件夾持0.8mm。

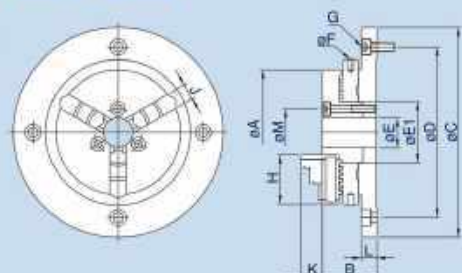
尺寸圖 » Dimensions



SE-ST STAINLESS STEEL SUPER THIN CHUCKS

不鏽鋼超薄型夾盤

尺寸圖 » Dimensions



1. By the compactness comes from " Light, Thin, Short, Small " designing concept; the chucks are most fitting to hold work pieces for measuring.
2. Just rotate the chuck knob directly for gripping and loosening, A handle is not necessary to be used.
3. Chuck body is made of very durable steel.
4. Jaws can be reversibly used; gripping of various sizes becomes much convenient.
5. 2" chucks can even grip up to the smallest size of 0.8mm.

規格表 » Specifications

單位/UNIT:mm

型式/規格 MODEL / SPEC.	A	B	C	D	E	F	G	H
SE-02	63	28	118	100	16	4	4-M5x0.8P	27
SE-03	85	37	143	116	20	4	4-M6x1P	35
SE-04	110	39	168	140	26	5	4-M6x1P	42
SE-05	130	45	202	168	32	6	4-M8x1.25P	50
SE-06	160	52	248	208	50	8	4-M10x1.5P	65

型式/規格 MODEL / SPEC.	J	K	L	M	把握範圍 Max. Gripping Diameter		淨重 Weight (kg)
					外徑把握 O.D. Clamping (mm)	內徑把握 I.D. Clamping (mm)	
SE-02	8	13	8	26	ø0.8~ø63	ø23~ø58	1.2
SE-03	11	15	10.5	32	ø1~ø81	ø31~ø70	2.9
SE-04	14	19	10	40	ø1~ø100	ø36~ø90	4.3
SE-05	16	21	11.5	49	ø1.5~ø116	ø43~ø106	6.2
SE-06	19	26	15	70	ø1.5~ø160	ø52~ø148	11.1

規格表 » Specifications

型式/規格 MODEL / SPEC.	A	B	C	D	E	E1	F	G	H	J	K	L	M	把握範圍 Max. Gripping Diameter		淨重 Weight (kg)
														外徑把握 O.D. Clamping (mm)	內徑把握 I.D. Clamping (mm)	
SE-04ST	110	39	168	140	26	51	5	4-M6x1P	42	14	19	10	40	ø1~ø100	ø36~ø90	4.3