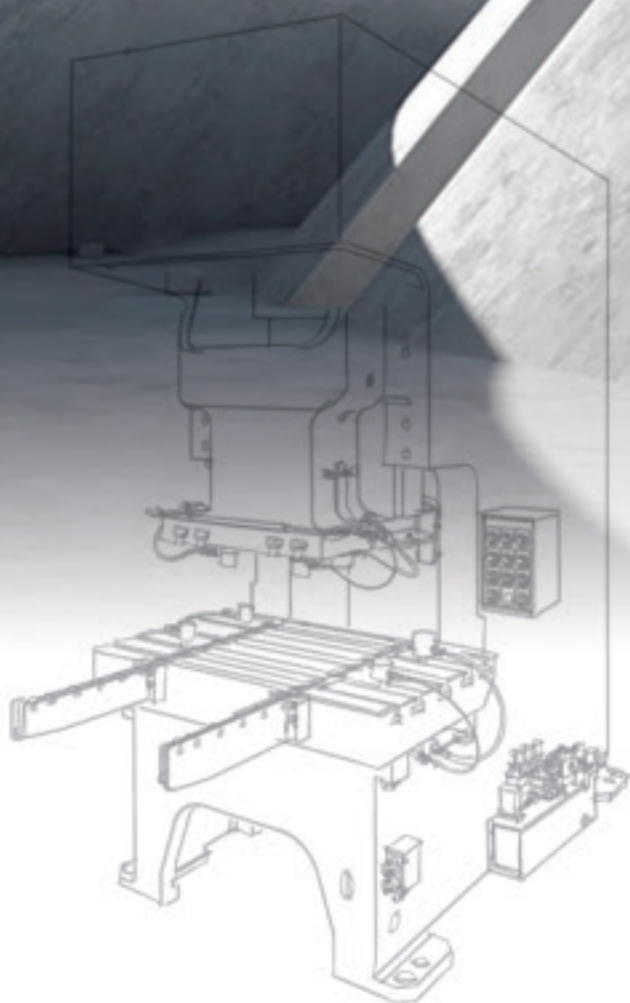




QUICK DIE CHANGE SYSTEM

快速換模系統

沖床 | 油壓機
PRESS | HYDRAULIC PRESS



It's an era for making high frequency of die changing with multiple patterns and small quantity. In order to save die changing time and ensure operational safety, it is just in time to apply Quick Die Change System.

迎接少量多樣高頻率換模生產形態的時代，爭取換模時效、確保操作安全—正是導入快速換模系統的最佳時機。



CONTENTS

目錄

Quick Die Change System
快速換模系統 01

Selection of System Components
選用規範 03

Air Driven Hydraulic Pump Unit
氣動油壓泵浦單元 04

Clamp
夾具 05

Auto Slide Clamp
自走式夾具 07

Rod Swing Clamp
搖擺式夾具 08

Rotary Die Clamp
旋轉夾具 09

Die Lifter (Hydraulic)
舉模滑軌 (油壓式) 10

Die Lifter (Spring)
舉模滑軌 (彈簧式) 12

Die Arm
移模支臂 13

Die Arm (Heavy Duty)
移模支臂 (荷重型) 16

Accessories
相關配件 16

Mold Flip Device
模具翻轉機 17

Data Required Form
訂購資料表 18

DIE CART SYSTEM
換模台車系統 20

APPLICATION

適用於

- PRESS & HYDRAULIC PRESS
沖床、油壓機
- DIFFERENT AUTOMATIC MACHINE CLAMP SYSTEM
各種自動化機台夾持系統

DIE LIFTER 舉模滑軌

Model : DL, DB

- Hydraulic type
- Install in the T-slot or U-slot

DL、DB 型

- 油壓式
- 裝置於台盤 T 型槽或 U 槽

Model : DS

- Spring type
- Spread equally and install in the plate.

DS 型

- 彈簧式
- 平均分散於台盤上

Model : DLS

- Spring type
- Install in the T-slot or U-slot

DLS 型

- 彈簧式
- 裝置於台盤 T 型槽或 U 槽



DIE ARM 移模支臂

- Can pull out and push in the die from the plate easily.
可使模具輕易從台盤拉出或推入。
- There are 4 easy operative ways for the storage when it is not used.
不用時配合操作方便有四種存放方式供選擇。



ELECTRONIC CONTROL OPERATION PANEL 電控操作箱

- It is equipped with interlock control switch for connecting to the machine.
具有與機台連線控制開關。
- It is designed with safety control device which prevents any operation error.
具有防止錯誤操作之安全控制。

AIR DRIVEN HYDRAULIC PUMP UNIT 氣動油壓泵浦單元

- Capable of pressure inspection and interlocking with machines.
具檢知功能可與機台連線。
- The movements between each devices will be pinned down mutually in order to ensure operational safety.
各配備之間的動作亦可互相牽制，以確保最佳操作安全。

DIE CLAMP 夾具

- Replacing the traditional method which uses screws to fix dies.
取代傳統用螺絲鎖模方式。
- Using T-slots to lock or fix directly on the plate.
利用台盤 T 型槽鎖固或直接固定於台盤。



THE CHOICE OF AIR DRIVEN HYDRAULIC PUMP UNIT 氣動油壓泵浦單元之選定

NUMBER OF CIRCUIT 迴路數	CHOICE STANDARD 選用依據	CONTROL MODEL 控制型式
1	Single. For the operation of the die clamp on the upper or lower die. 單一供上模或下模夾具	NO
1	The operations of the upper and lower die clamps use the same circuit. 上下模夾具使用同一迴路	NO
1	Single. For the operation of the die lifter. 單一供舉模滑軌	NC
2	Separated circuit operation for upper and lower die clamps. 上下模夾具各自迴路分開	NO
2	The same circuit operation for upper and lower die clamps. One circuit is for the operation of the die lifter. 上下模夾具使用同一迴路 一迴路供舉模滑軌	NO NC
3	Separated circuit operation for upper and lower die clamps. One circuit is for the operation of the die lifter. 上下模夾具各自迴路分開 一迴路供舉模滑軌	NO NC

Please refer to Page 4 for the details.
詳述請參閱 P4

THE CHOICE OF DIE CLAMP 夾具之選用

MODEL 選用型式	CHOICE STANDARD 選用依據														
<p>CA: The template with the U slot 模板有 U 型溝</p> <p>CB: The template without the U slot 模板無 U 型溝</p>	<ul style="list-style-type: none"> Total clamping force which the machine needs (ΣF) = machine capacity (tons) x15~20% The ratio of total clamping force is as follows: Upper clamp ($\Sigma F1$) = $\Sigma F \times 60\%$ Lower clamp ($\Sigma F2$) = $\Sigma F \times 40\%$ Each die clamping force (F) : according to the die clamp quantity (n) for each upper and lower die. Upper clamp $F = \Sigma F1/n$ (tons) Lower clamp $F = \Sigma F2/n$ (tons) <ul style="list-style-type: none"> 機台所需總夾力 (ΣF) = 機台能力 (噸數) x15~20% 總夾力 (ΣF) 分配比率： 上模夾力 ($\Sigma F1$) = $\Sigma F \times 60\%$ 下模夾力 ($\Sigma F2$) = $\Sigma F \times 40\%$ 每只夾具力 (F): 依上下模各使用夾具數 (n) 求得 上模夾具 $F = \Sigma F1/n$ (噸) 下模夾具 $F = \Sigma F2/n$ (噸) <table border="1"> <thead> <tr> <th>Bolt Size</th> <th>M16</th> <th>M18</th> <th>M20</th> <th>M24</th> <th>M30</th> <th>M38</th> </tr> </thead> <tbody> <tr> <td>Clamping force(ton)</td> <td>1-3</td> <td>2-4</td> <td>4-6</td> <td>6-10</td> <td>8-15</td> <td>15-20</td> </tr> </tbody> </table>	Bolt Size	M16	M18	M20	M24	M30	M38	Clamping force(ton)	1-3	2-4	4-6	6-10	8-15	15-20
Bolt Size	M16	M18	M20	M24	M30	M38									
Clamping force(ton)	1-3	2-4	4-6	6-10	8-15	15-20									

Please refer to Page 5~9 for the details.
詳述請參閱 P5 ~ P9

THE CHOICE OF DIE LIFTER 舉模滑軌之選用

MODEL 選用型式	CHOICE STANDARD 選用依據
DL / DB/ DS / DLS	<ul style="list-style-type: none"> The weight of dies and the operational request → Model of die lifter. The size of the plate → the length of the die lifter. The size of the T or U slot for installing the die lifter. <ul style="list-style-type: none"> 模具重量及使用需要 → 滑軌型式 台盤尺寸 → 滑軌長度 裝設滑軌之 T、U 形槽尺寸

Please refer to Page 10~12 for the details.
詳述請參閱 P10 ~ P12

THE CHOICE OF DIE ARM 移模支臂之選定

MODEL 選用型式	CHOICE STANDARD 選用依據
RC / RD / RE / RF / RS	<ul style="list-style-type: none"> The size of the die → the length of the arm The weight of the die → the maximum capacity of the arm The method of storage → the model of the arm <ul style="list-style-type: none"> 模具尺寸 → 支臂長度 模具重量 → 支臂最大荷重 收存方式 → 支臂型式

Please refer to Page 13~16 for the details.
詳述請參閱 P13 ~ P16

MODEL PB•PC

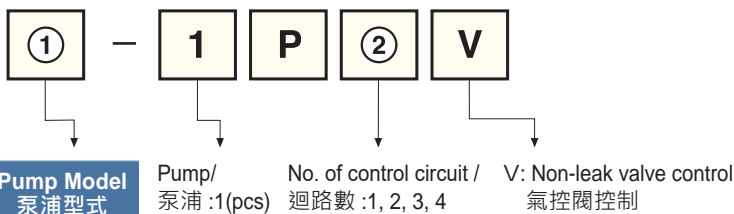


PB-1P1V



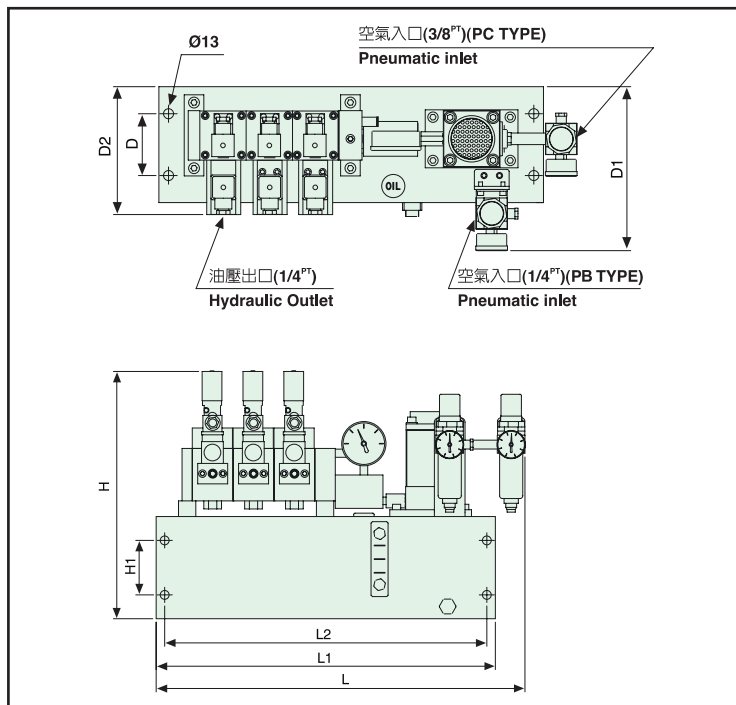
PB-1P3V

MODEL SELECTION 型式選定

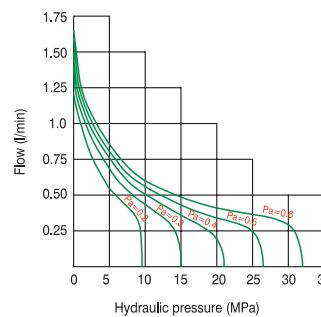


- Pump Model 泵浦型式
- PB08
- PC12

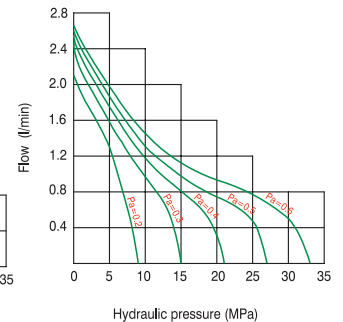
- The hydraulic pump is driven by air. Once the hydraulic pressure reaches the pressure setting, it stops pumping which is energy saving. Meanwhile, if the working pressure reduces, the pump would supply pressure automatically to keep working pressure continuously.
- The circuit control system is designed with the function of checking and avoiding oil leakage. If pneumatic pressure out, the hydraulic pressure still maintains.
- It is capable of pressure inspection and connecting to machines.
- It is suggested to adopt pump model PC12 when used with clamp model CA&CB-16 or 25.
- 利用空氣壓力驅動泵浦，出口油壓達設定壓力即停止作動，不需繼續消耗能源，出口壓力下降則自動補壓，具持續保持該壓力功能。
- 迴路控制系統具逆止功能，空氣壓力消失時油壓壓力可保持。
- 具壓力檢知功能，可與機台連線。
- 使用 CA 及 CB-16 或 25 型夾具建議使用 PC12 型泵浦。



PB08

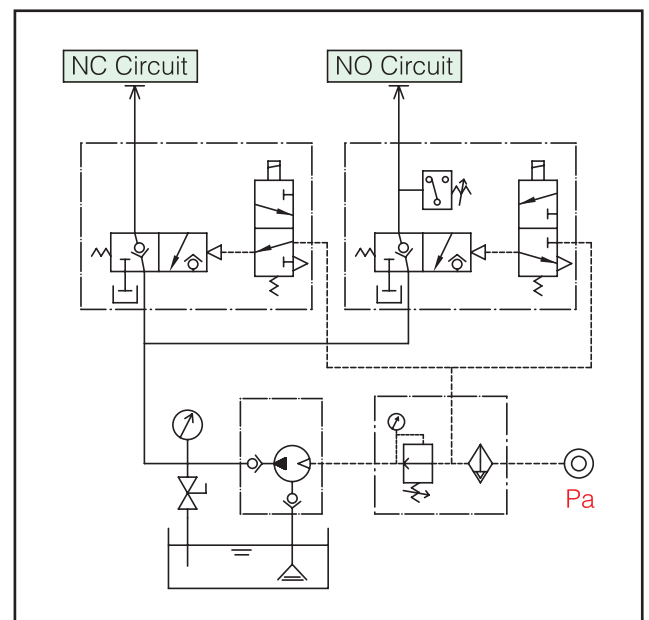


PC12



Model 型式	L	L1	L2	H	H1	D	D1	D2	Volume
PB08-1P1V	-	378	353	367	80	80	235	-	6L
PB08-1P2V	-	438	413	367	80	80	235	-	7L
PB08-1P3V	-	498	473	367	80	80	235	-	8L
PB08-1P4V	-	588	563	367	80	80	235	-	10L
PC12-1P3V	560	-	473	367	80	80	-	166	8L

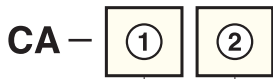
The air combination unit of Model PBO8 in the front, and Model PC12 on the right side.
 註：PB08 型二點組合裝於前方，PC12 型裝於右側。



MODEL CA



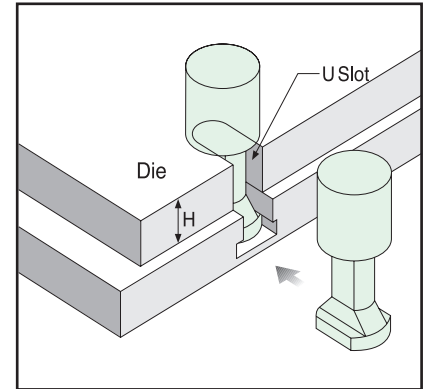
MODEL SELECTION 型式選定



Capacity of clamp / 夾力: 1 ~ 25 (tons)

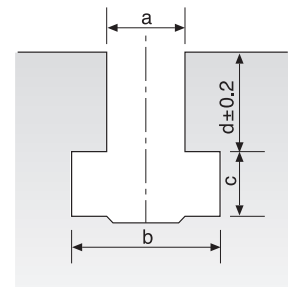
- EMPTY : Standard type
無標示: 標準式
- C : Pneumatic cylinder movable type
氣缸移動式
- B : Fixed type
固定式
- V : Temperature -resisting type
耐高溫式

Unit:mm



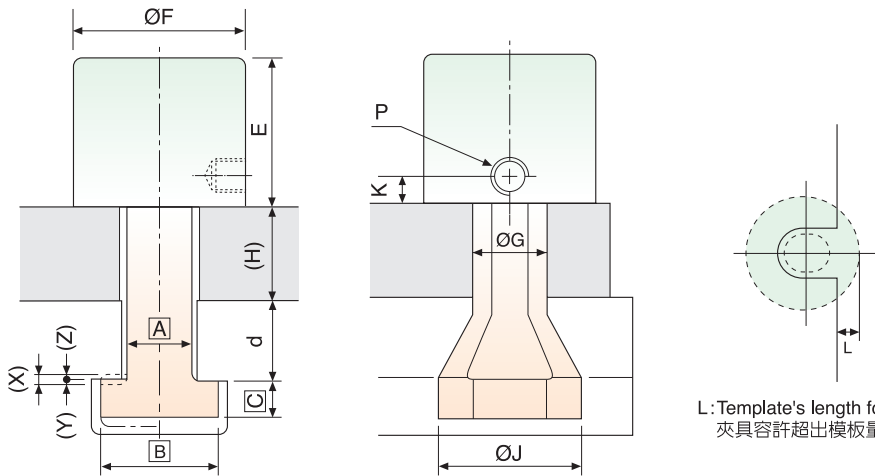
- Please indicate the size of T slot (a,b,c,d) and the thickness (H) of the template for the die when purchasing.
訂購時請指明 T 槽尺寸 (a,b,c,d) 及夾模處模板厚度 (H)

- T slot



Model 型式	CA-1	CA-2	CA-4	CA-6	CA-10	CA-16	CA-25	
Capacity of clamp 夾力	*tons	1	2	4	6	10	16	25
Total stroke (X) 總行程 (X)	mm	6	8	8	8	8	8	8
Stroke of clamp (Y) 夾具行程 (Y)	mm	3	4	4	4	4	4	4
Preserved stroke (Z) 預留行程 (Z)	mm	3	4	4	4	4	4	4
Total volumn of cylinder 油缸總容量	cc	3	7	13	21	32	54	76
The tolerance of the template thickness (H) 模板厚度允許公差: H	mm	±1.5	±2	±2	±2	±2	±2	±2

* Hydraulic pressure 使用油壓壓力: 24.5MPa (250kg/cm²)(3550psi)



Unit:mm

Model 型式	Ø F	E	Ø G	Ø J	max. H+d	max. L	min. a	K	P
CA-1	44	48	12	34	60	12	8	13.5	1/8PT
CA-2	53	52	16	48	80	17	12	12	
CA-4	65	58	23	58	90	20	16	15	1/4PT
CA-6	82	65	30	64	100	25	18	15	
CA-10	99	71	38	78	110	30	22	15	
CA-16	128	82	45	88	120	38	28	17	
CA-25	150	100	55	98	140	45	36	23	

- The sizes of clamps A, B and C are made based on the size of T slot.
夾具 A B C 尺寸係配合 T 槽尺寸製作
- If the thickness of clamp(H+d) is more than the max. value listed on the left, it will be regarded as special pattern.
夾緊處厚度 (H+d) 處出左述最大值 · 屬特殊式樣。

MODEL **CB**



CB

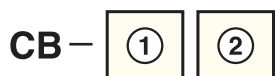


CB-B



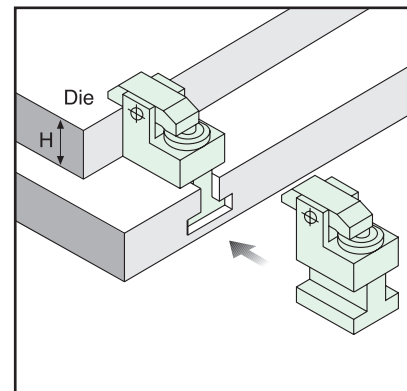
CB-C

MODEL SELECTION 型式選定



Capacity of clamp / 夾力: 1 ~ 25 (tons)

- EMPTY : Standard type
無標示 : 標準式
- C : Pneumatic cylinder movable type
氣缸移動式
- B : Fixed type
固定式
- V : Temperature -resisting type
耐高溫式

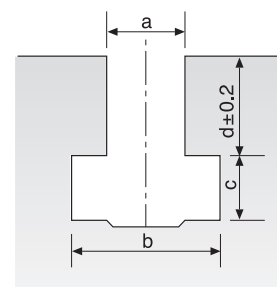


Unit:mm

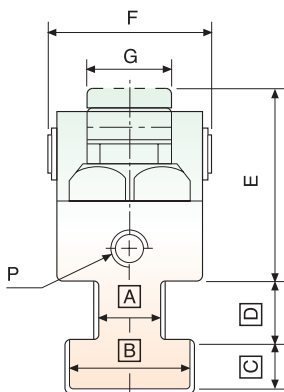
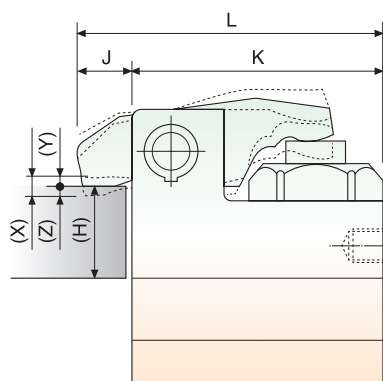
Model 型式		CB-1	CB-2	CB-4	CB-6	CB-10	CB-16	CB-25
Capacity of clamp 夾力	*tons	1	2	4	6	10	16	25
Total stroke (X) 總行程 (X)	mm	6	8	8	8	8	8	8
Stroke of clamp (Y) 夾具行程 (Y)	mm	2.5	3	3	3	3	3	3
Preserved stroke (Z) 預留行程 (Z)	mm	3.5	5	5	5	5	5	5
Total volumn of cylinder 油缸總容量	cc	3	7.5	13	21	38	55	98
The tolerance of the template thickness (H) 模板厚度允許公差 : H	mm	±1.5	±2	±2	±2	±2	±2	±2

- Please indicate the size of T slot (a,b,c,d) and the thickness(H) of the template for the die when purchasing.
訂購時請指明 T 槽尺寸 (a,b,c,d) 及夾模處模板厚度 (H)

- T slot



* Hydraulic pressure 使用油壓壓力 : 24.5MPa (250kg/cm²)(3550psi)



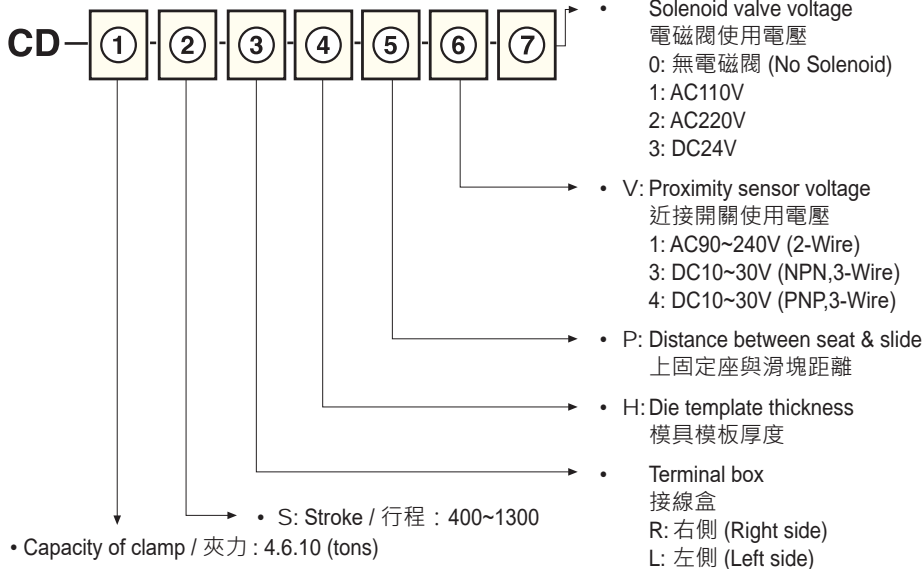
Unit:mm

Model 型式	L	K	J	min. (H)	min. E	F	G	min. a	min. c	P
CB-1	74.5	60	14.5	25	55	44	20	10	6.5	1/8PT
CB-2	110	90	20	25	73	68	32	14	10	
CB-4	134	110	24	25	77	79	40	18	12	
CB-6	159	130	29	30	92	96	46	22	14	1/4PT
CB-10	189	159	30	40	114	117	54	24	16	
CB-16	230	200	30	40	126	129	58	28	20	
CB-25	265	235	30	45	148	156	70	36	23	

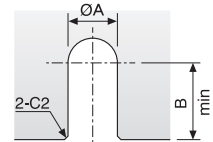
- The sizes of clamps A B C and D are made based on the size of T slot.
夾具 A B C D 尺寸係配合 T 槽尺製作

MODEL CD

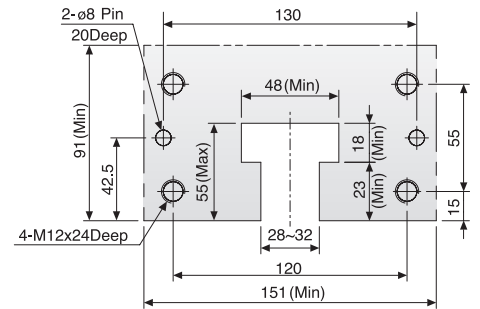
MODEL SELECTION 型式選定



• Processing dimensions for the die
模具加工尺寸

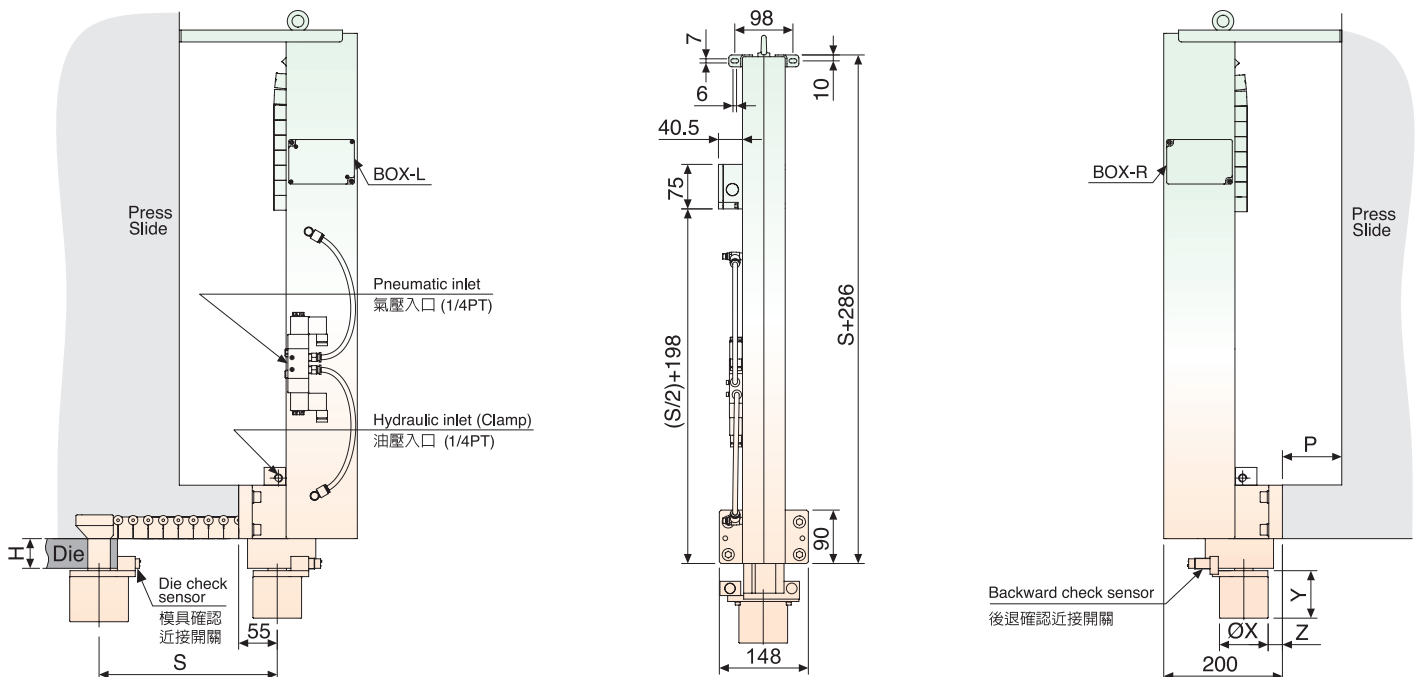


• Processing size for plate (T-slot)
台盤加工尺寸



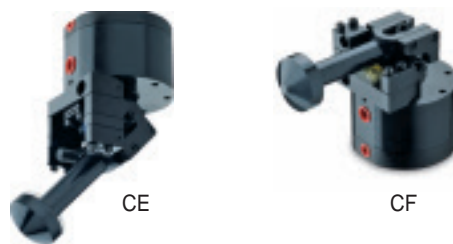
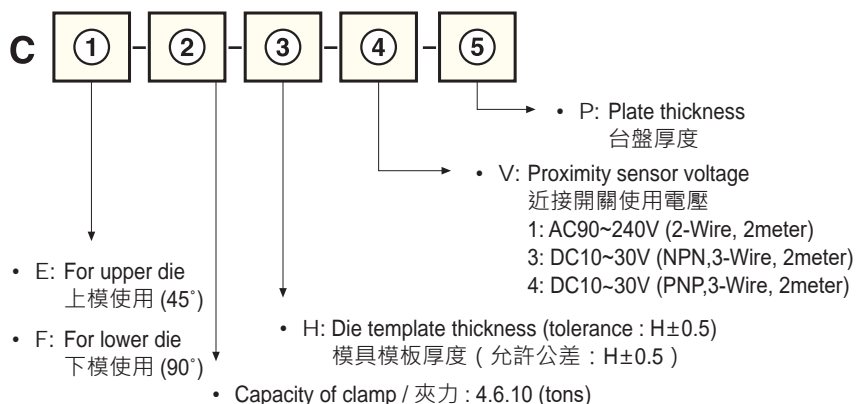
Model 型式		CD-4	CD-6	CD-10
Capacity of clamp / 夾力	tons	4	6	10
Hydraulic pressure / 油壓壓力	MPa (kg/cm ²)(psi)	24.5	(250)	(3550)
Pneumatic pressure / 氣壓壓力	MPa (kg/cm ²)(psi)	0.34~0.49	(3.5~5.0)	(50~71)
Moving speed / 移動速度	mm/s	300 (max)		
Total stroke / 夾具總行程	mm	8	8	8
Ø X	mm	65	82	99
Y	mm	73	80	86
Z	mm	23	14.5	6
Ø A	mm	28~32		
B min	mm	32	42	47

OUTLINE DIMENSIONS 外型尺寸

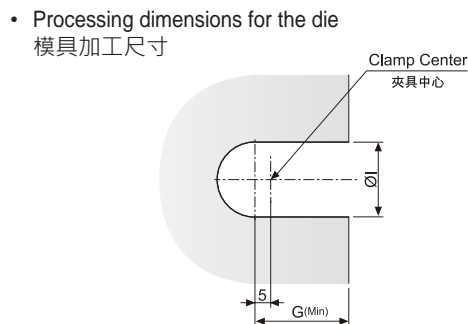


MODEL CE·CF

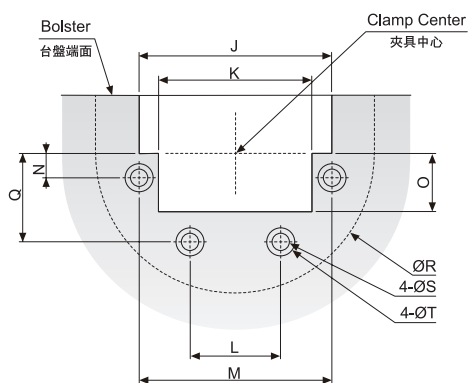
MODEL SELECTION 型式選定



CE CF



Processing size for plate
台盤加工尺寸

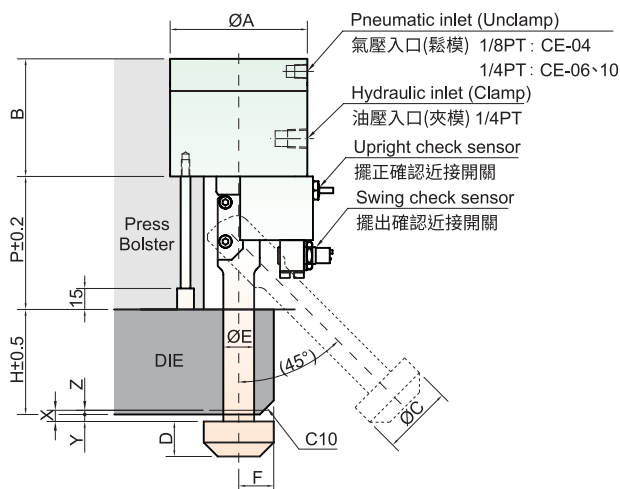


Model 型式		C □ -04	C □ -06	C □ -10
Capacity of clamp 夾力	tons	4	6	10
Hydraulic pressure 油壓壓力	MPa (kg/cm ²)(psi)	24.5	(250)	(3550)
Pneumatic pressure 氣壓壓力	MPa (kg/cm ²)(psi)	0.34~0.49	(3.5~5.0)	(50~71)
Total stroke of cylinder(X) 油缸總行程 (X)	mm	8	10	12
Stroke of clamp (Y) 夾具行程 (Y)	mm	5	7	9
Preserved stroke (Z) 預留行程 (Z)	mm	3	3	3

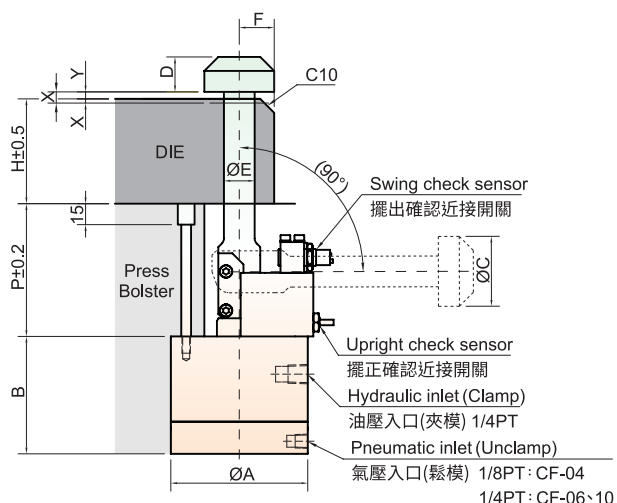
Model 型式	Ø A	B	Ø C	D	Ø E	F (max)	G	Ø I	J	K	L	M	N	O	P (min)	Q	Ø R	Ø S	Ø T
C □ -04	102	84	50	25	22	25	30	28	83	66	39	83	10.5	25	85	38	120	7	12
C □ -06	125	94	60	25	28	30	35	34	93	70	49	93	10.5	30	85	43	145	7	12
C □ -10	145	111	75	30	34	37.5	43	40	130	80	59	120	10.5	35	100	50	165	9	16

OUTLINE DIMENSIONS 外型尺寸

• MODEL CE



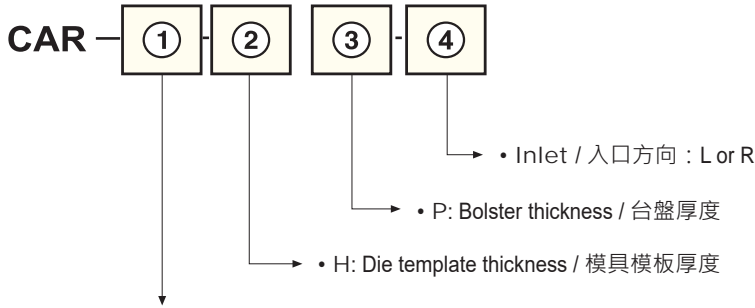
• MODEL CF



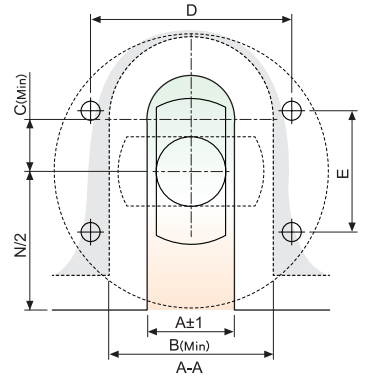
* Make sure that screws, washers, cutting chips or blank pieces do not enter the clamp. Otherwise, clamp does not operate smoothly and may be damaged.
嚴禁螺絲、華司、鐵屑、廢料等異物侵入夾具的內部。否則夾具將無法順暢動作，甚至會導致夾具的損壞。

MODEL CAR

MODEL SELECTION 型式選定



• Capacity of clamp / 夾力 : 4~16 (tons)



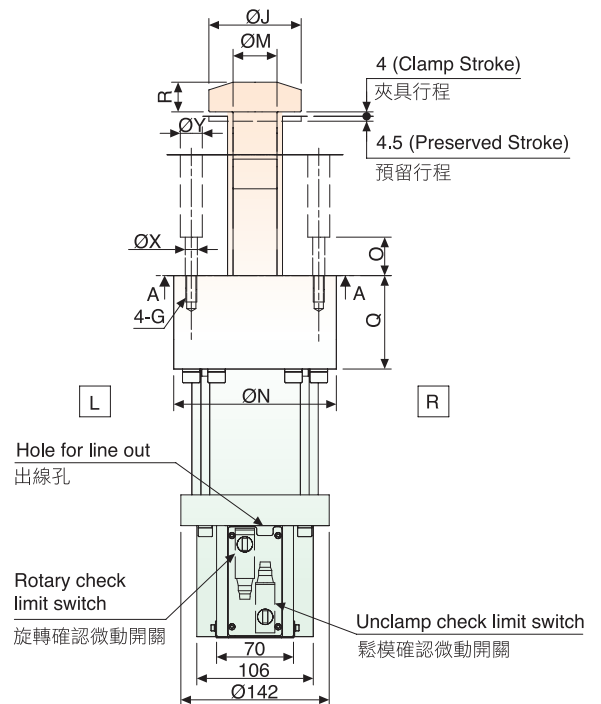
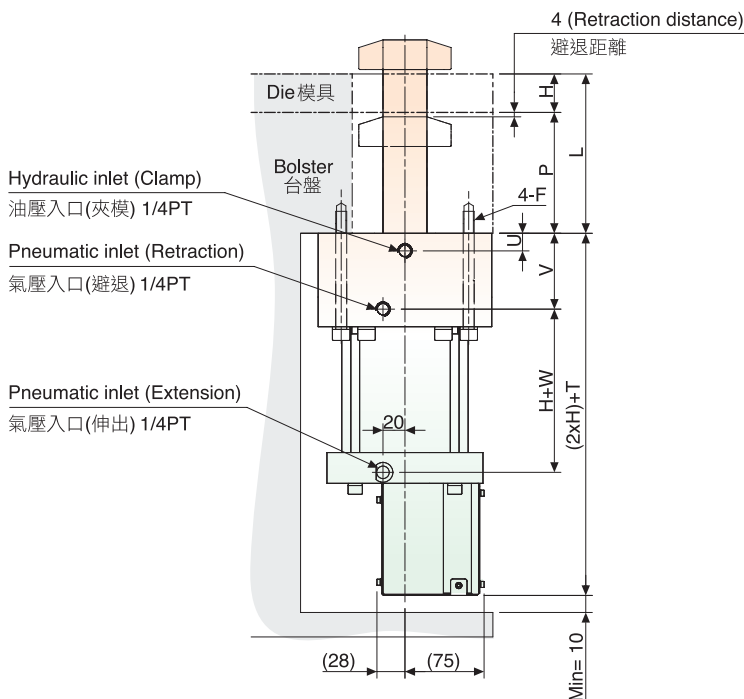
Model 型式	A±1	B (Min)	C (Min)	D	E	F	G	∅ J	∅ M	∅ N	Q	O	R	T	U	V	W	∅ X	∅ Y	P (Min)
CAR-04	35	70	20	112	70	M8×16D	M10×20D	59	25	148	84	35	17	240	16	68	104	12	20	80
CAR-06	40	75	25	112	70	M8×16D	M10×20D	64	32	148	84	35	22	250	16	68	109	12	20	80
CAR-10	50	95	30	116	70	M8×16D	M10×20D	84	40	158	85	70	27	260	16	69	110	12	20	90
CAR-16	60	110	35	118	72	M10×20D	M12×24D	99	50	168	95	80	32	280	16	79	119	14	23	100

* Hydraulic pressure 使用油壓壓力 : 18.2MPa (185kg/cm² (2625psi))

* Pneumatic pressure 使用氣壓壓力 : 0.34~0.49MPa (3.5~5.0 kg/cm²) (50~71psi)

* CAR-25 is customized product 為客製化產品

OUTLINE DIMENSIONS 外型尺寸

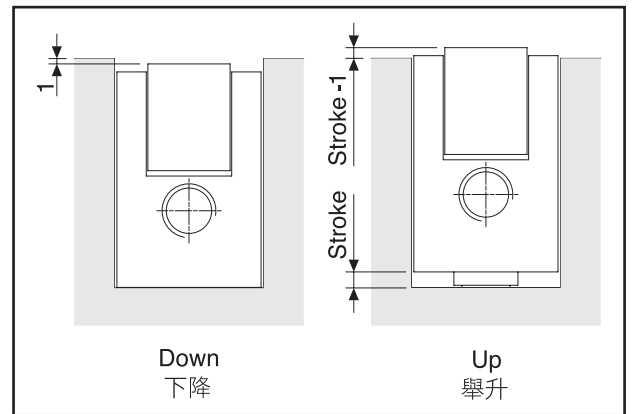
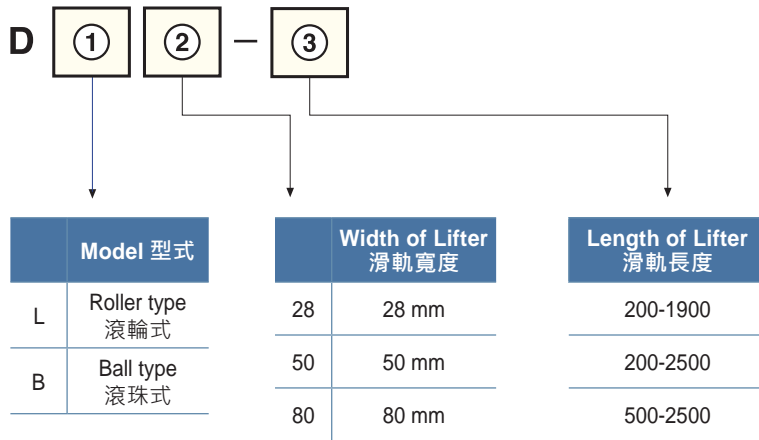


• Series product : Hydraulic cylinder device, straight pull clamping device.
系列產品：舉上油缸、直拉夾具、舉上直拉油缸

• Please contact with us once you need details.
如需要詳細資料，請連絡我們

MODEL DL•DB

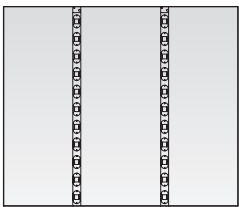
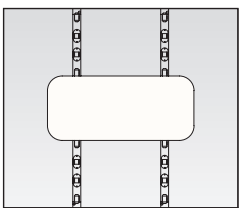
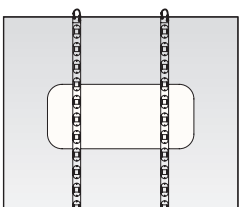
MODEL SELECTION 型式選定



Model 型式	Capacity of Each Cylinder 每只油壓缸舉力	Full Stroke 全行程	Capacity Per Roller (kgf) 每只滾輪容許荷重 (DL)	Capacity Per Ball (kgf) 每只滾珠容許荷重 (DB)
			SS41 模具材質	SS41 模具材質
D □ 28	0.63 ton	3 mm	80	40
D □ 50	1.1 ton	3 mm	200	50
D □ 80	2.8 ton	3 mm	460	200

* Hydraulic pressure 使用油壓壓力 : 24.5MPa (250kg/cm²) (3550psi)

DIE LIFTER MODEL TYPE 滑軌類型

Model 型式	Application 適用
Standard Die Lifter 標準式滑軌	 <p>Normal platen and die lifter can be fixed with platen. 一般台盤且滑軌固定於台盤上</p>
Two Stepped Die Lifter 兩段式滑軌	 <p>Platen with hole in the middle and die lifter can be fixed on platen. 台盤有下料孔且滑軌固定於台盤上</p>
Removable Die Lifter 抽取式滑軌	 <p>Normal platen or platen with hole in the middle and die lifter is removable via quick connector. 一般台盤或是台盤有下料孔，滑軌經由快速接頭可輕易裝卸於台盤上</p>

11 DIE LIFTER (HYDRAULIC) 舉模滑軌 (油壓式)

MODEL DL•DB



Outline Dimensions 外型尺寸	D □ 28 Serial	D □ 50 Serial	D □ 50 Serial 用於 DL50-2100 以上的固定方式 For DL50-2100 or above	D □ 80 Serial
	Processing Size For Bolster (U-Slot) 台盤加工尺寸			

Length of Lifter 全長 (L)	D □ 28					D □ 50					D □ 80							
	DL28		DB28		Cylinders 油缸	DL50		DB50		Cylinders 油缸	DL80		DB80		Cylinders 油缸			
	Roller Qty. 滾輪數	Capacity 承載能力 (Kg)	Ball Qty. 滾珠數	Capacity 承載能力 (Kg)	Qty. 油缸數	Capacity 舉升能力 (Kg)	Roller Qty. 滾輪數	Capacity 承載能力 (Kg)	Ball Qty. 滾珠數	Capacity 承載能力 (Kg)	Qty. 油缸數	Capacity 舉升能力 (Kg)	Roller Qty. 滾輪數	Capacity 承載能力 (Kg)	Ball Qty. 滾珠數	Capacity 承載能力 (Kg)	Qty. 數量	Capacity 舉升能力 (Kg)
200	3	240	5	200	2	1260	2	400	4	200	2	2200						
300	5	400	7	280			3	600	6	300								
400	6	480	10	400			4	800	9	450								
500	8	640	12	480	3	1890	5	1000	11	550	3	3300	5	2300	6	1200	2	5600
600	9	720	15	600			6	1200	13	650			6	2760	7	1400		
700	11	880	17	680			7	1400	16	800			7	3220	9	1800		
800	12	960	20	800	4	2520	8	1600	18	900	4	4400	8	3680	10	2000	3	8400
900	14	1120	22	880			9	1800	20	1000			9	4140	11	2200		
1000	15	1200	25	1000			10	2000	23	1150			10	4600	13	2600		
1100	16	1280	27	1080	5	3150	11	2200	25	1250	5	5500	11	5060	14	2800	4	11200
1200	17	1360	30	1200			12	2400	27	1350			12	5520	15	3000		
1300	18	1440	32	1280			13	2600	29	1450			13	5980	17	3400		
1400	19	1520	35	1400	6	3780	14	2800	31	1550	6	6600	14	6440	18	3600	5	14000
1500	20	1600	37	1480			15	3000	33	1650			15	6900	19	3800		
1600	22	1760	40	1600			16	3200	35	1750			16	7360	21	4200		
1700	24	1920	42	1680	7	4410	17	3400	38	1900	7	7700	17	7820	22	4400	6	16800
1800	25	2000	45	1800			18	3600	40	2000			18	8280	23	4600		
1900	27	2160	47	1880			19	3800	42	2100			19	8740	24	4800		
2000					8	5040	20	4000	44	2200	8	8800	20	9200	26	5200	7	19600
2100							21	4200	46	2300			21	9660	27	5400		
2200							22	4400	48	2400			22	10120	28	5600		
2300							23	4600	50	2500			23	10580	30	6000		
2400							24	4800	52	2600			24	11040	31	6200		
2500							25	5000	54	2700			25	11500	32	6400	8	22400

* Any specific size is available based on the needs of the customers.
可依客戶使用需要製作特殊規格

MODEL DS•DLS

MODEL SELECTION 型式選定



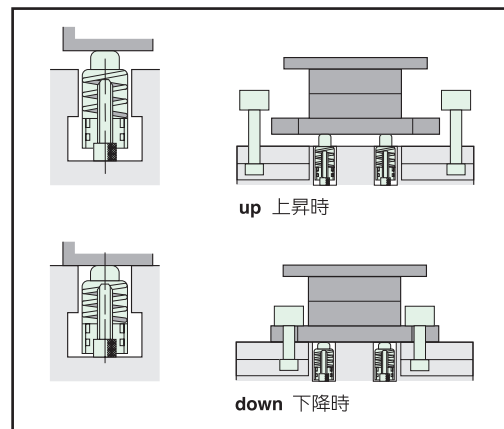
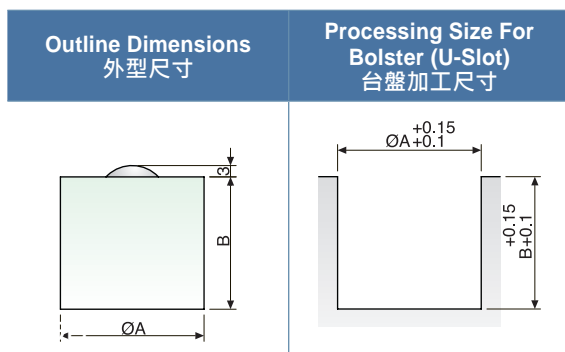
DS



DLS

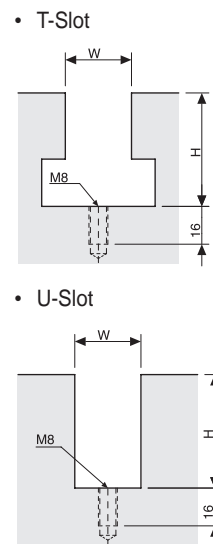
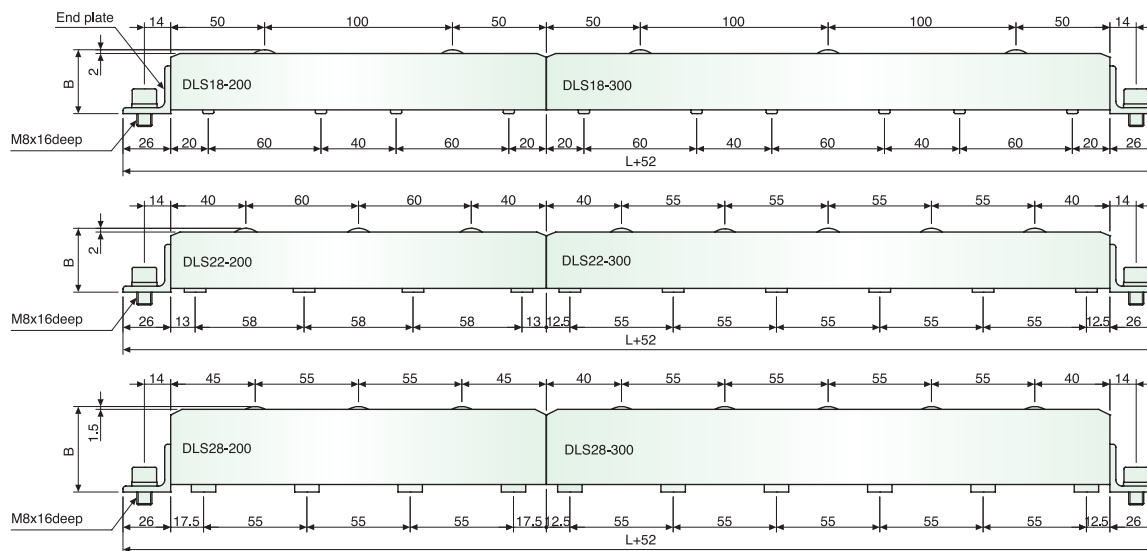


Capacity (Kg)	Ø A	B
100	Ø 38	35
200	Ø 45	42



(W) : 18, 22, 28 (mm) (L) : 200, 300 (mm)

- Please clearly indicate:
 1. the slot height
 2. the equipped length of every slot while ordering.
 3. quantity of end plate
- 訂購時請指明：
 1. 溝槽高度 (H)
 2. 每一溝槽裝配長度
 3. 固定端板數量



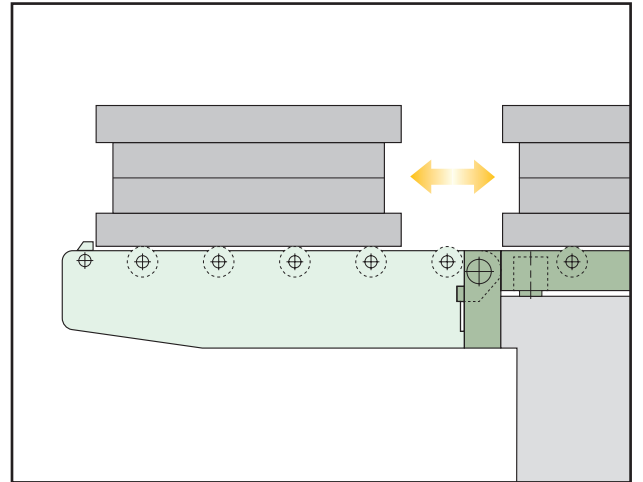
Model 型式		DLS18-200	DLS18-300	DLS22-200	DLS22-300	DLS28-200	DLS28-300
Capacity	每支舉力 (kg)	150	225	150	225	300	450
Width of slot	溝槽寬度 (W)	18		22		28	
Height of slot	溝槽高度 (H)	32~37		33~43		44~58	
Number of roller	滾輪數	2	3		5	3	5
Number of spring	彈簧數	4	6	4	6	4	6
Width of end plate	端板寬度	17			21		
Min. height of lifter	最小成品高度 (B)	32		32		43.5	

MODEL RC•RD•RE•RF•RS

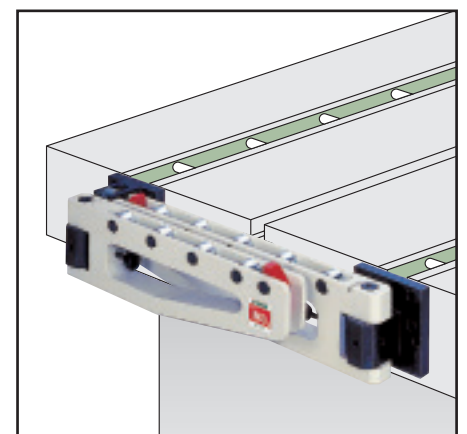
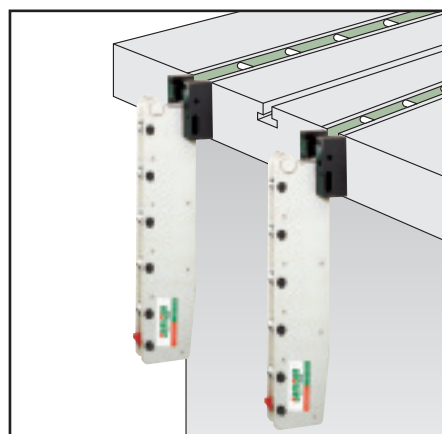
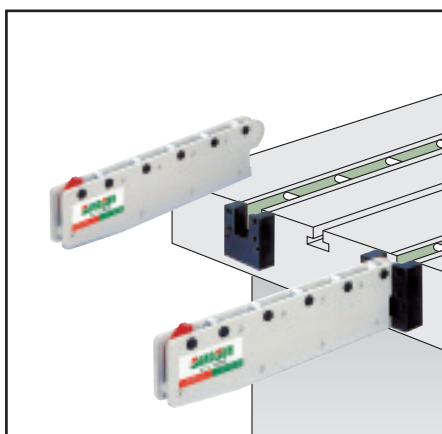
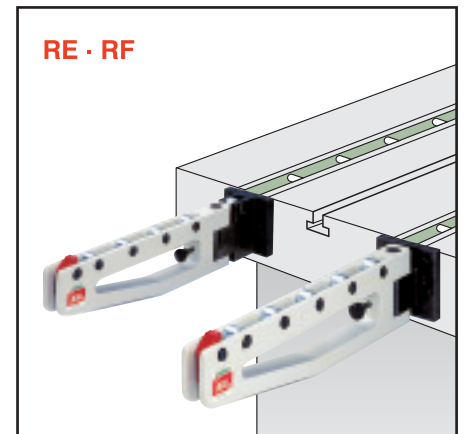
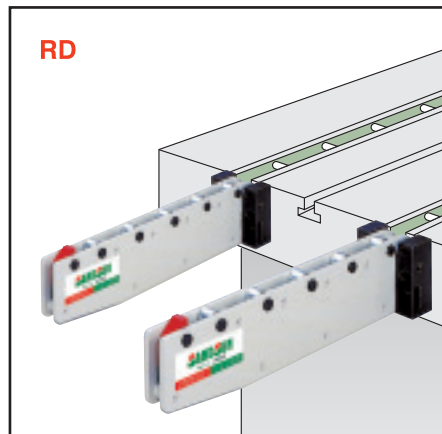
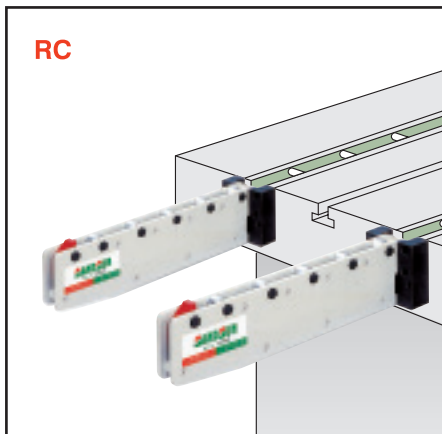
MODEL SELECTION 型式選定

R ① — ②

Model 型式	Storage Method 存放方式	Specification 規格
C	Dismantling 拆卸式	580
D	Hanging 折下式	760
E	Folding (short) 折疊式 (短座)	880
F	Folding (long) 折疊式 (長座)	990

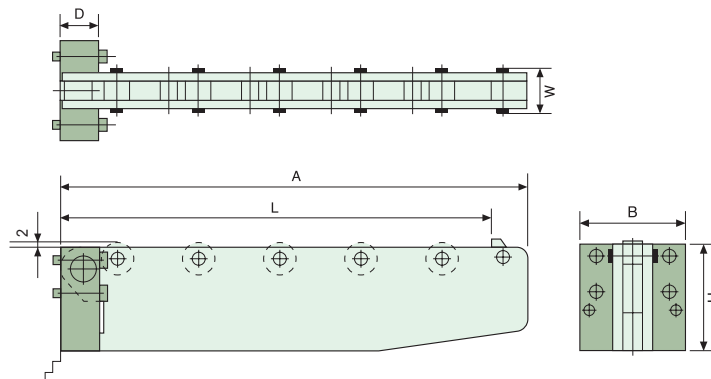


- The support should be changed into lengthening (S) model when using die arm cooperated with two-stepped die lifter. (Ex: RC-16A → RC-16SA · RC-16HA → RC-16HSA)
移模支臂配合二段式舉模滑軌使用時，固定座需改用加長 (S) 型。(例：RC-16A → RC-16SA · RC-16HA → RC-16HSA)



* Any specific model is available based on the needs of the customers.
特殊形式依實際需要另行訂製。

MODEL RC (DISMANTLING / 拆卸式)

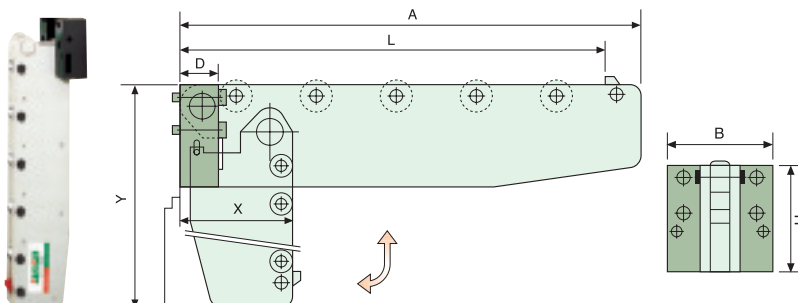


- The arm itself and the support in Model RC can be used separately.
RC 型支臂本體與固定座可分開個別使用。

Model 型式	Model of Support 固定座形式	Length of The Die 模具使用長 (L)	Capacity(kg) 承載能力 (kg)	Total Length(A) 總長 (A)	Width 寬度 (W)	Dimension Of Support 固定座尺寸			Hole Pattern For Installation 安裝孔位型式	Roller Q'ty 滾輪數
						D	B	H		
RC-580A	RC-12A	500	800	550	46	48	115	118	A Type	5
RC-760A		700	600	750						7
RC-880A	RC-14A	800	800	850				138	B Type	8
RC-990A	RC-16A	900	900	950						158
RC-05125A	RC-14HA	500	1250	550	50	48	115	B Type	138	7
RC-05160A	RC-15HA		1600						148	
RC-05200A	RC-16HA		2000						158	
RC-07125A	RC-14HA	700	1250	750					138	9
RC-07160A	RC-16HA		1600						158	
RD-07200A	RC-18HA		2000						178	
RC-08125A	RC-16HA	800	1250	850					158	10
RC-08160A	RC-18HA		1600						178	
RC-08200A	RC-19HA		2000						188	
RC-09160A	RC-18HA	900	1600	950					178	11
RC-09200A	RC-20HA		2000						198	

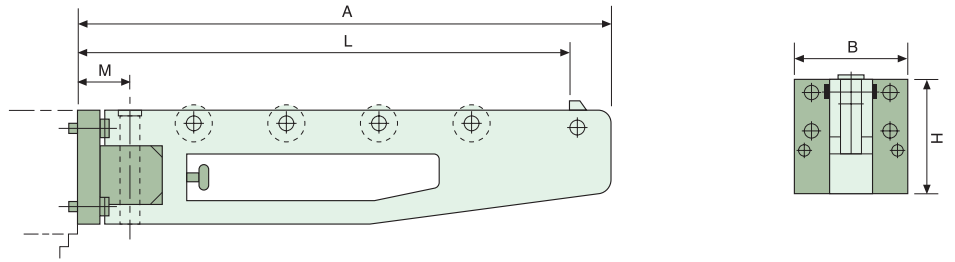
MODEL RD (HANGING / 折下式)

- The hanging length(Y) of Model RD should be less than the height between the plate and the ground.
選用 RD 型其折下之長度 (Y) 需小於台盤面距地面之高度。



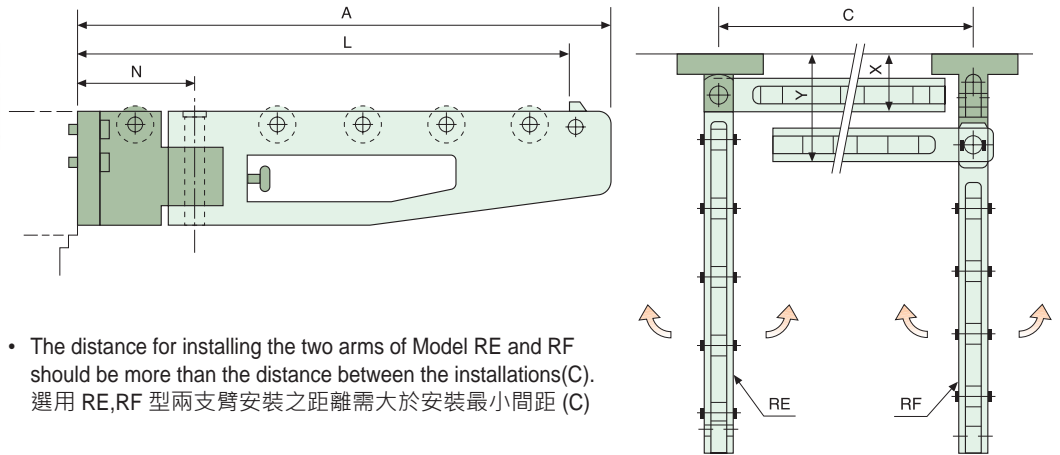
Model 型式	Model of Support 固定座形式	Length of The Die 模具使用長 (L)	Capacity(kg) 承載能力 (kg)	Total Length(A) 總長 (A)	Dimension Of Support 固定座尺寸			Hole Pattern For Installation 安裝孔位型式	Roller Q'ty 滾輪數	Dimension After Folding 折下尺寸			
					D	B	H			X	Y		
RD-580A	RD-12A	500	800	550	52	115	118	A Type	5	145	630		
RD-760A		700	600	750							7	830	
RD-880A	RD-14A	800	800	850			138	B Type	8	165	950		
RD-990A	RD-16A	900	900	950								158	9
RD-05125A	RD-14HA	500	1250	550	52	115	138	B Type	7	165	655		
RD-05160A	RD-15HA		1600								175	665	
RD-05200A	RD-16HA		2000								165	675	
RD-07125A	RD-14HA	700	1250	750					138	9	165	855	
RD-07160A	RD-16HA		1600						185				875
RD-07200A	RD-18HA		2000						205				895
RD-08125A	RD-16HA	800	1250	850					158	10	185	975	
RD-08160A	RD-18HA		1600						205				995
RD-08200A	RD-19HA		2000						215				1005
RD-09160A	RD-18HA	900	1600	950					178	11	205	1095	
RD-09200A	RD-20HA		2000						198				225

MODEL RE (FOLDING / 折疊式)



- Model RE itself can be turned left or right for storage.
RE 型可單獨任意左右旋轉存放使用

MODEL RF (FOLDING / 折疊式)

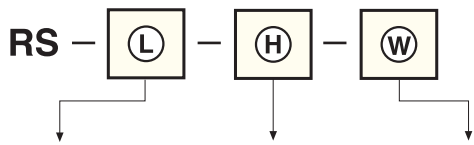


- The distance for installing the two arms of Model RE and RF should be more than the distance between the installations(C).
選用 RE,RF 型兩支臂安裝之距離需大於安裝最小間距 (C)

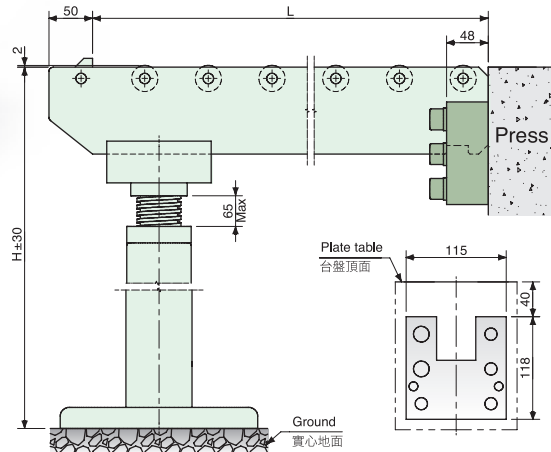
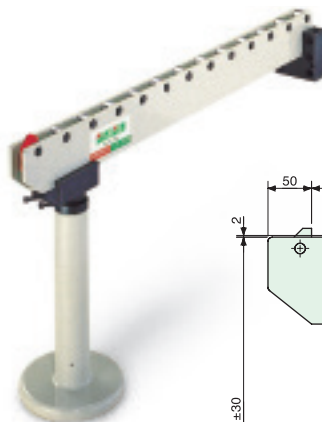
Model 型式	Length Of The Die 模具使用長 (L)	Capacity(kg) 承載能力 (kg)	Total Length(A) 總長 A(mm)	MIN.Distance For Installation 安裝最小間距 C(mm)	Dimension After Folding 折下尺寸		Dimension Of Support 固定座尺寸		Roller Q'ty 滾輪數	M	N	Hole Pattern For Installation 安裝孔位型式
					X	Y	B	H				
RE,RF-580A	500	800	550	525	87	150	115	118	5	57	120	A Type
RE,RF-760A	700	600	750	725				7				
RE,RF-880A	800	800	850	825				8				
RE,RF-990A	900	900	950	925				9				
RE,RF-05160A	500	1600	550	525	87	150	115	148	7	57	120	B Type
RE,RF-05200A		2000						158				
RE,RF-07160A	700	1600	750	725				9				
RE,RF-07200A		2000						178				
RE,RF-08160A	800	1600	850	825				10				
RE,RF-08200A		2000						188				
RE,RF-09160A	900	1600	950	925				178	11			
RE,RF-09200A		2000						198				

MODEL RS (SUPPORTER / 支柱式)

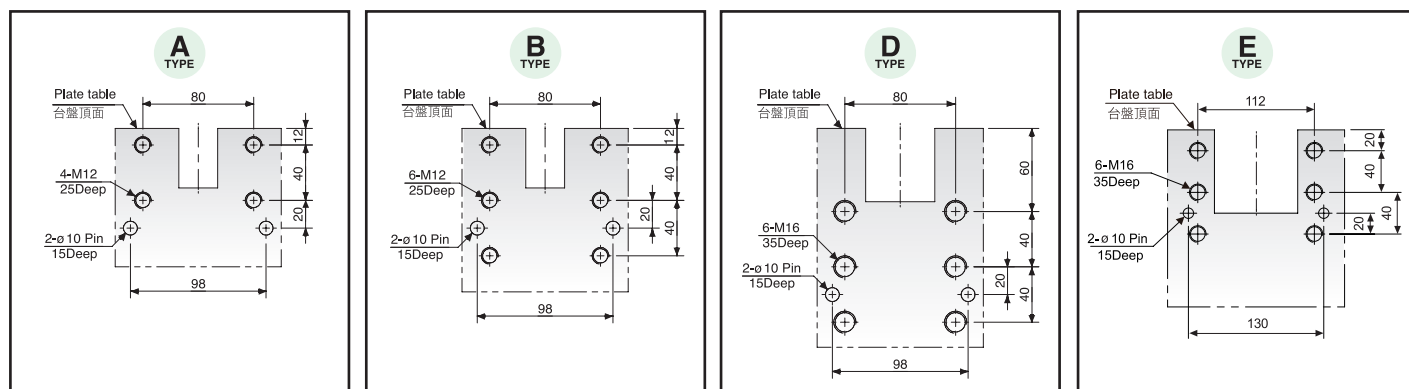
MODEL SELECTION 型式選定



- Use length 使用長度
 - The height between the plate and the ground 地面距機台盤面高度
 - Die weight 模具重量
- Please clearly indicate the above information while ordering. 訂購時請指明以上資料
 - Adopt D Type to install hole pattern. 安裝孔位型式採用 D TYPE
 - Capacity of Model RS is 3000 (KG)/PC 選用 RS 型式 · 單支承載能力為 3000 (KG)



HOLE PATTERN FOR INSTALLATION 安裝孔位型式



- Apply for DL/DB80 Die Lifter 搭配 DL/DB80 滑軌使用

ACCESSORIES 相關配件

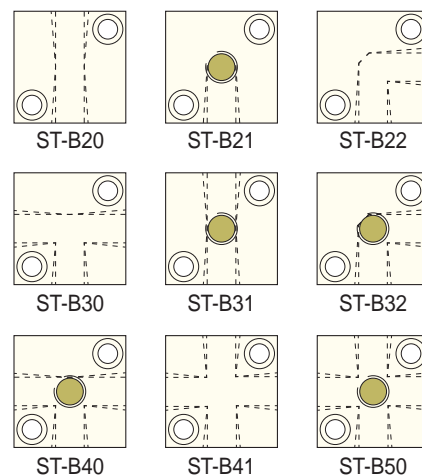
- NON-LEAK VALVE 氣控閥



- CLAMP BRACKET 夾具存放架



- TUBE CONNECTER MODEL 分油座型式



- ROTARY JOINT 迴轉接頭



- TUBE CONNECTER 分油座



Application 適用於

Press 、 Hydraulic press 、 Forging machine.
沖床、油壓機、鍛造機

Feature 特色

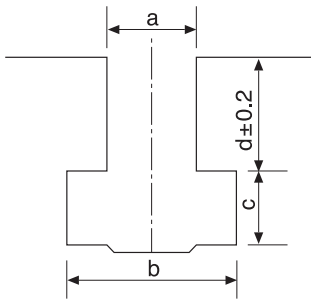
1. Mold Flip device using electric hydraulic motor, move up-down and flip mold through hydraulic power.
2. Using the Mold Flip device can raise work efficiency and also reach zero accident happens.
3. If power shut during mold flip, each hydraulic circuit is designed with the function of checking and avoiding oil leakage and the device will stop at the final stage.
4. Shorten the operation time of mold repair.
5. Mold Flip device helps the die to be flip. It has the inspection function of die loading and die move-in position.

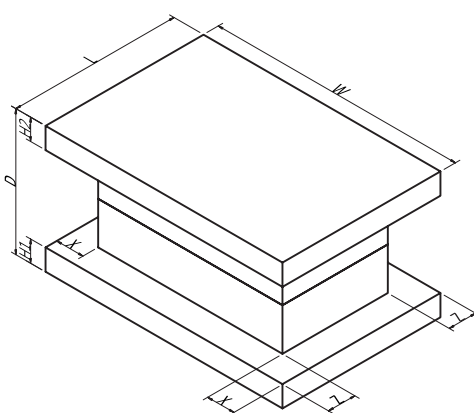


1. 模具翻轉機使用電動油壓馬達，以油壓力量升降及翻轉模具。
2. 運用模具翻轉機可提高工作效率又可達到零工安意外。
3. 翻模過程中如發生斷電，各油壓迴路具逆止防漏功能，機台立即停止於最後狀態。
4. 減少模具維修時間。
5. 模具翻轉機用於輔助模具翻轉，並有檢知以及定位裝置。

WORKING PROCESS & FUNCTION 作業流程與機能

<p>Die in 模具移入</p> <p>Flip device move down 翻轉裝置下降</p> <p>Lock the upper die with screws 上模鎖螺絲固定</p>	<p>Flip device move up 翻轉裝置上升</p> <p>Take lower die out 下模移出</p>	<p>Flip upper die by 180 degree 上模翻轉 180 度</p> <p>Drop the upper die to the height for maintenance or replacement 上模下降至維修 / 更換高度</p>
<p>Raise upper die and flip 上模上升翻轉</p> <p>Lower die in 下模移入</p>	<p>Flip device move down 翻轉裝置下降</p> <p>Release the screws of the upper die 鬆開上模螺絲</p>	<p>Flip device move up 翻轉裝置上升</p> <p>Take the die out 模具移出</p>

Customer 客戶名稱			
Machine Brand 機台廠牌		Machine Capacity 機台噸數	
Drawing for slide and bolster 上、下台盤圖面		<input type="checkbox"/> Yes, please offer it. 有·請提供 / <input type="checkbox"/> No. 沒有 <input type="checkbox"/> U-slot on the platen 台盤有 U 型槽 : <input type="checkbox"/> Yes. 有 Height 高度 : _____ mm / <input type="checkbox"/> No. 沒有	
Die Data 模具資料		1. U-slot on the platen 模具有 U 型槽 <input type="checkbox"/> Yes 有 <input type="checkbox"/> No 沒有 2. Working temperature 作業溫度 : _____ °C	
Item 品名	Model 規格	Qty 數量	Description 說明
Air Driven Hydraulic Pump Unit 氣動油壓泵浦單元			Control voltage 控制電壓 : <input type="checkbox"/> AC110V <input type="checkbox"/> AC220V <input type="checkbox"/> DC24V
Die Clamp 夾具	Upper 上模		The thickness of the template(H) 模具鎖模板厚度 (H): _____ mm
	Lower 下模		The thickness of the template(H) 模具鎖模板厚度 (H): _____ mm
Die Lifter 舉模滑軌			1. Max. die weight 最大模具重量 : _____ kg 2. There is hole with bolster 台盤有下料孔 <input type="checkbox"/> YES 是 <input type="checkbox"/> Removable Type (With quick connector) 抽取式 (含油壓快速接頭) <input type="checkbox"/> Two Stepped Type 兩段式 <input type="checkbox"/> NO 否 <input type="checkbox"/> Standard Type 標準式 3. Die Dimension 模具尺寸 (mm) : Max: _____ (L)x _____ (W) Min: _____ (L)x _____ (W) (L: left-right 左 - 右 W: front-back 前 - 後)
Die Arm 移模支臂			Max. die weight 最大模具重量 : _____ kg
Support of Die Arm 移模支臂固定座			Additional 追加
Others 其他	Install by Sandsun 山田順安裝 : <input type="checkbox"/> Yes 是 <input type="checkbox"/> No 否		
	CE certificated required CE 認證 : <input type="checkbox"/> Yes 是 <input type="checkbox"/> No 否		
T-slot / T 型槽尺寸			Slide 滑塊 : (mm) a : _____ b : _____ c : _____ d : _____ (±0.2)
			Bolster 台盤 : (mm) a : _____ b : _____ c : _____ d : _____ (±0.2)
	* The size of "d" should be measured to first digit after decimal point. d 尺寸請實量至小數點第一位或要求加工 ± 0.2mm		
Remark 備註			

Company 公司	Contact 聯絡人	Tel 電話
Die (Tooling) Dimensions / 模具尺寸 		Die Weight 模具重量 Max 最重 : ton
		D Min 最小 : mm Max 最大 : mm
		L Min 最小 : mm Max 最大 : mm
		W (Should be unified 需統一) mm
		H1 (Should be unified 需統一) mm
		H2 (Should be unified 需統一) mm
		Die Edge Z (Min 最小) mm
		Die Edge X (Min 最小) mm
		Position Device 定位裝置 <input type="checkbox"/> Yes (Please offer drawing) 是 (請提供圖面) <input type="checkbox"/> No 沒有
		Remark 備註 1. Size (W) and (H) should be unified. 尺寸 (W) 和 (H) 必須統一 2. There must be positioning device on die. 模具必須有定位裝置
Die Cart Type 台車型式	<input type="checkbox"/> Single Machine and Die 單機單模 <input type="checkbox"/> Multi-machines and Twin Dies 多機雙模 <input type="checkbox"/> Single Machine and Twin Dies 單機雙模 <input type="checkbox"/> Others 其他	
The Way of Die Movement 模具移動方式	<input type="checkbox"/> Hook push/pull 掛勾推拉 <input type="checkbox"/> Hand push 手推	Die Change Operation 換模操作方式 <input type="checkbox"/> Automatic 全自動控制 <input type="checkbox"/> Semi-Automatic 半自動控制 <input type="checkbox"/> Manual 手動控制
Main Power Supply 電源供應	<input type="checkbox"/> AC220V <input type="checkbox"/> AC_____V (3 Ø 4W) <input type="checkbox"/> AC380V <input type="checkbox"/> 60Hz <input type="checkbox"/> 50H	
Construction of Rail Track 台車軌道型式	<input type="checkbox"/> Under ground 埋入式 <input type="checkbox"/> On the ground 地面上 <input type="checkbox"/> On the bench 台架上	Control Box 電控箱位置 <input type="checkbox"/> On the Cart 台車上 <input type="checkbox"/> On the ground 地面上
Length of Rail Track 軌道長度	<input type="checkbox"/> Min. die changing length 最小換模距離 <input type="checkbox"/> Custom 自訂 _____ M	Type of Operation Panel 操作面板型式 <input type="checkbox"/> Button & Switch 按鈕開關 <input type="checkbox"/> HMI 人機介面
Required Parts Brand 零件廠牌要求	<input type="checkbox"/> No required 無要求 <input type="checkbox"/> Yes (Please offer detail) 有 · 請提供資訊	Required PLC Brand PLC 廠牌要求 <input type="checkbox"/> No required 無要求 <input type="checkbox"/> Yes (Please offer detail) 有 · 請提供資訊
Drawings Required From Customers 客戶需提供圖面	1. Platen drawing (slide and bolster) 沖床台盤圖面 (上滑塊及下台盤) 2. Machine outline drawing 機台外型圖 3. Factory layout drawing 工廠佈置圖 (機台佈置圖)	
Remark 備註		



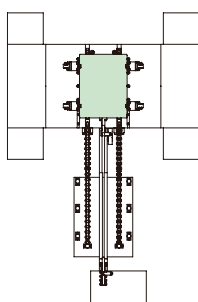
Feature 特色

1. Shorten the operation time of die change.
2. Auto position checking of die cart moving.
3. Die moving guide and position detection function.
4. Device for preventing die sliding.

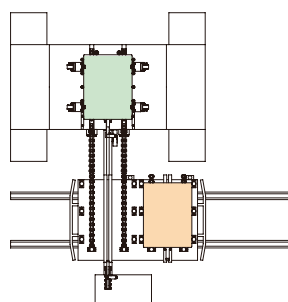
1. 減少換模待機時間。
2. 台車移動自動對機台尋位。
3. 模具移入導正及到位置檢知功能。
4. 模具滑落防呆保護裝置。

DIE CART TYPE 台車型式

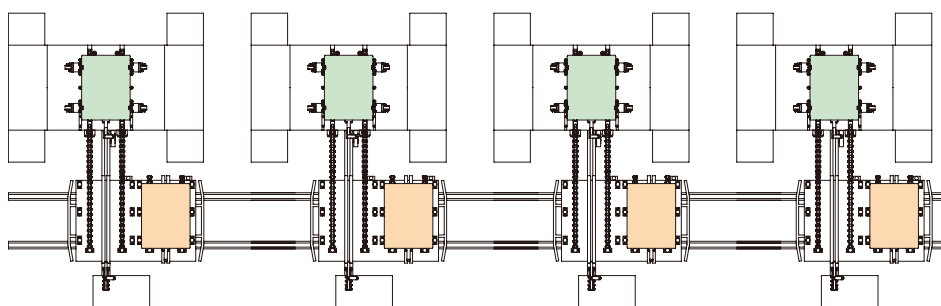
Single Machine and Die 單機單模



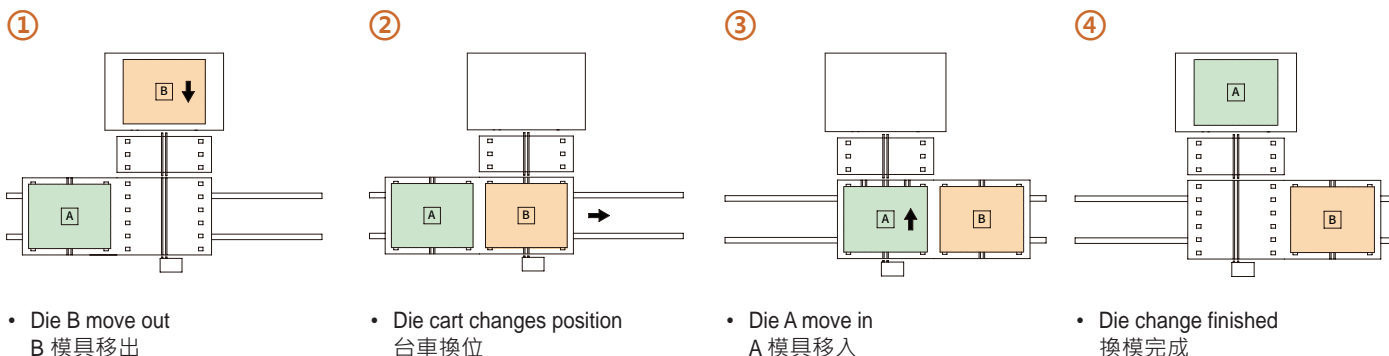
Single Machine and Twin Dies 單機雙模



Multi-machines and Twin Dies 多機雙模



DIE CART CHANGING PROCEDURES 台車換模流程



MANAGING PHILOSOPHY

Moderate & Reliable Aggressive & Creative
Demanding for Perfection Constant Operation

QUALITY POLICY

Quality Stability Customer Satisfaction

經營理念

穩健踏實 精進創新
止於至善 永續經營

品質政策

品質穩定 客戶肯定

SANDSUN ISO 9001 CE

山田順精機股份有限公司

SANDSUN PRECISION MACHINERY CO.,LTD.

台灣彰化縣埔心鄉員鹿路5段85號
NO. 85, SEC. 5, YUANLU RD., PUXIN TOWNSHIP,
CHANGHUA COUNTY 513, TAIWAN

E-mail:sa2@sandsun.com.tw (台灣)

sa3@sandsun.com.tw (abroad)

sa4@sandsun.com.tw (abroad)

TEL:+886-4-8282758 FAX:+886-4-8282768

山田順精密機械(蘇州)有限公司

SANDSUN PRECISION MACHINERY (SUZHOU) CO.,LTD.

江蘇省蘇州市吳中區角直鎮楓庄路
FENGZHUANG ROAD, LUZHI TOWN, WUZHONG DISTRICT,
SUZHOU CITY, JIANGSU, CHINA

E-mail:yw1@snadsun.com.cn
sandsun_sz@126.com

TEL:0512-66026635 FAX:0512-66026637

www.sandsun.com.tw

