

台速工業股份有限公司

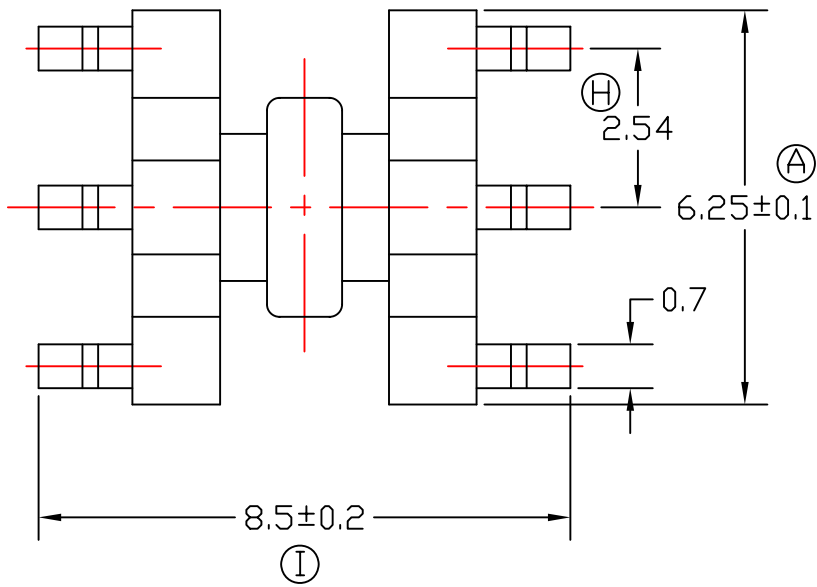
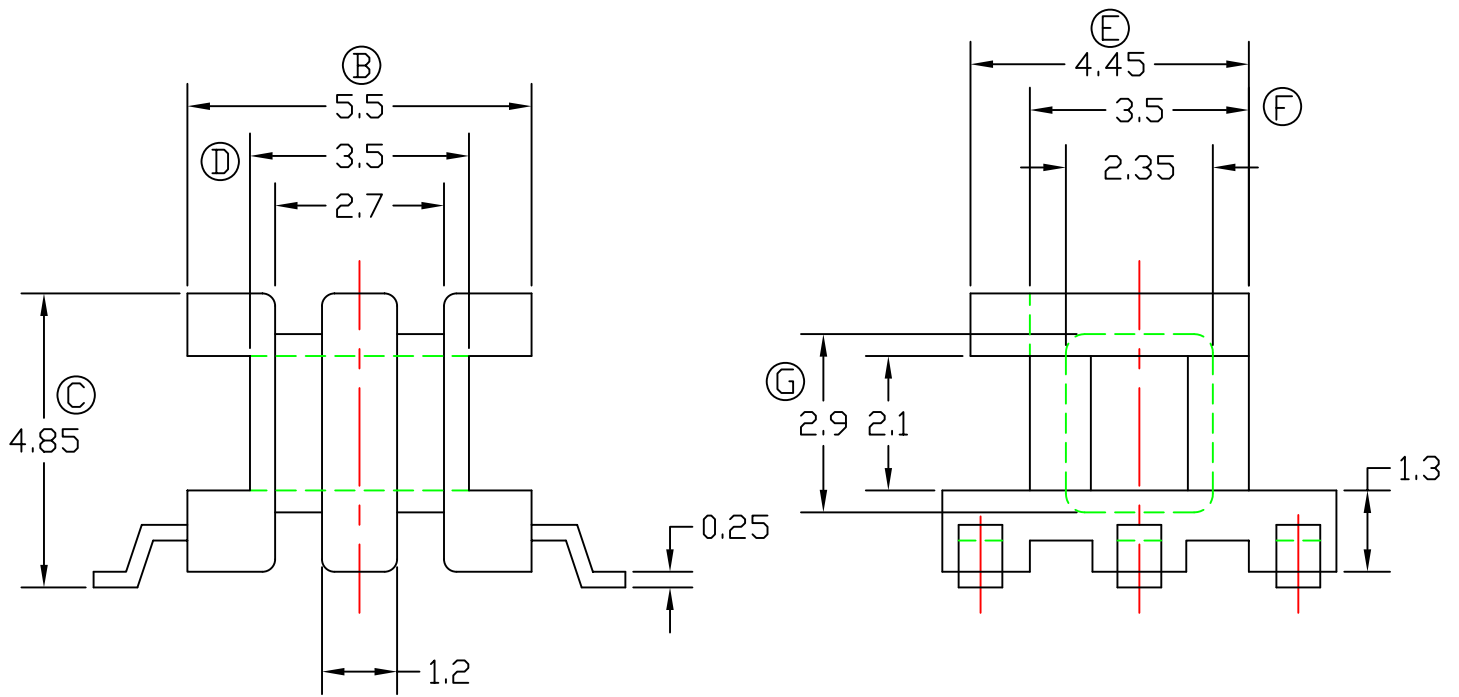
BOBBIN MASTER INDUSTRIAL CO;LTD.

TEL:(886 2) 2694-3199

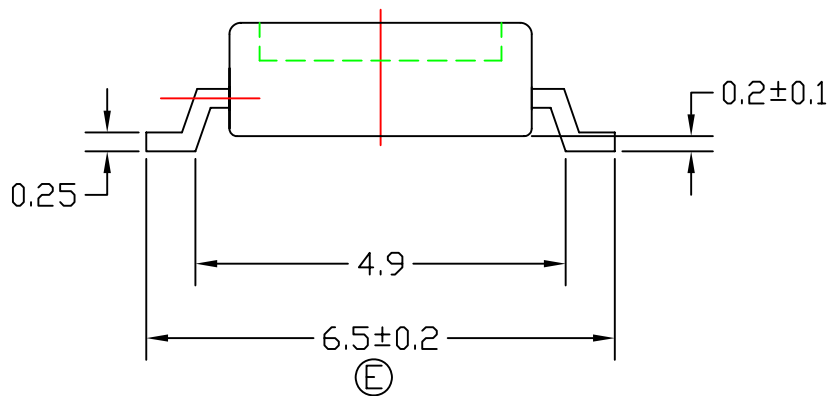
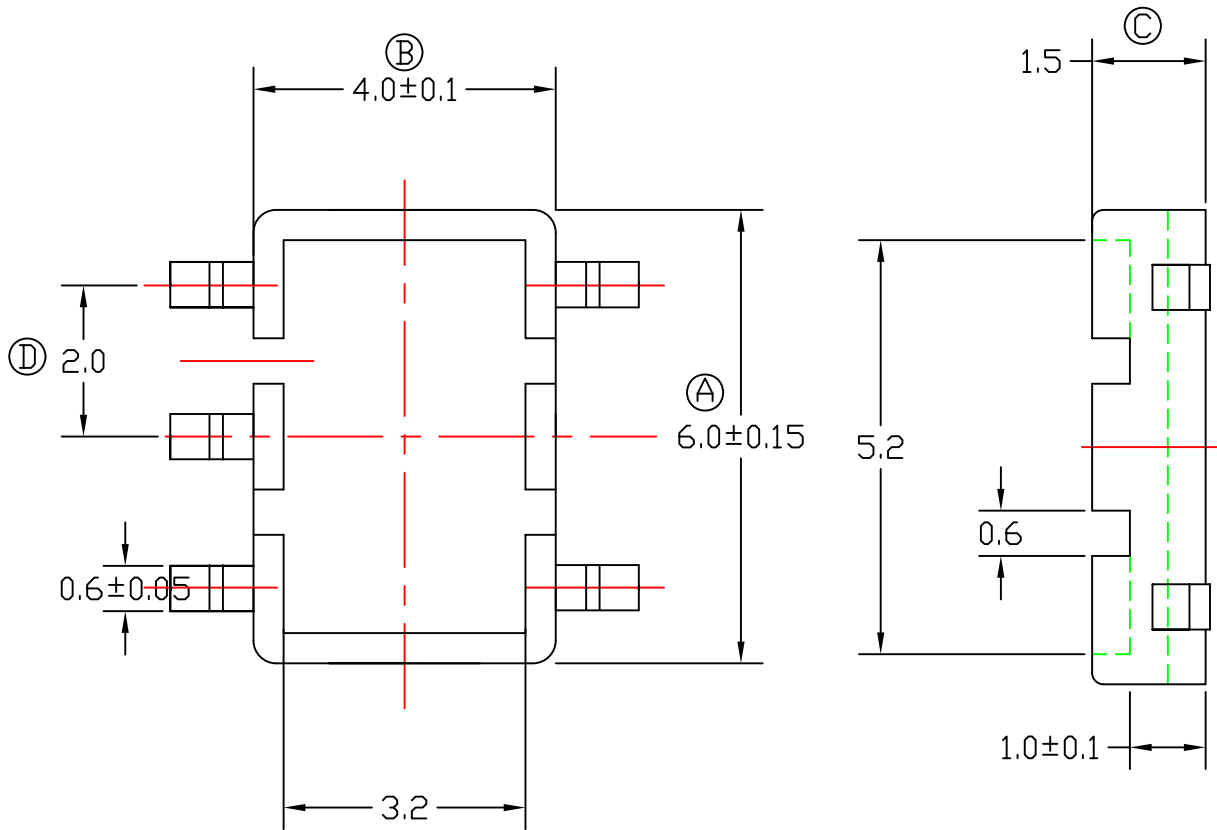
FAX:(886 2) 2694-0947

REV 00

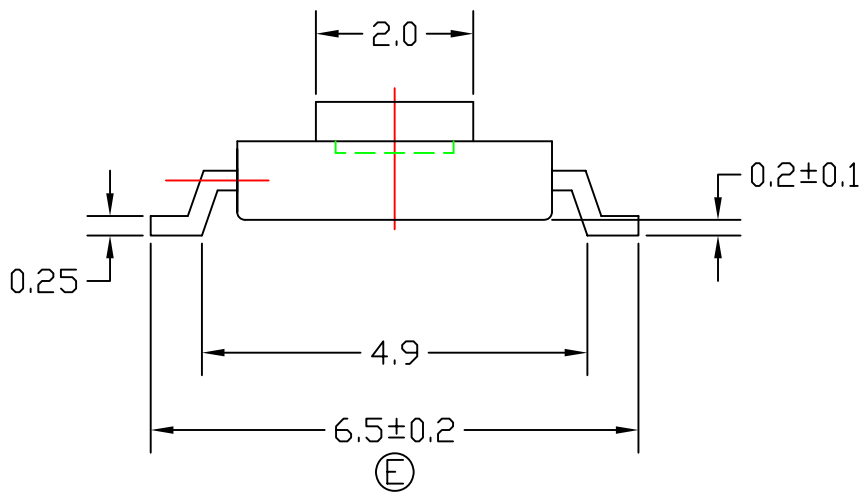
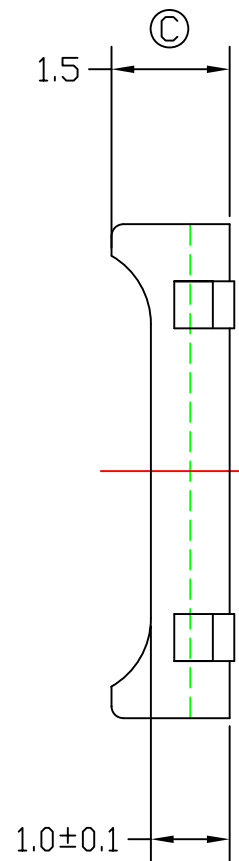
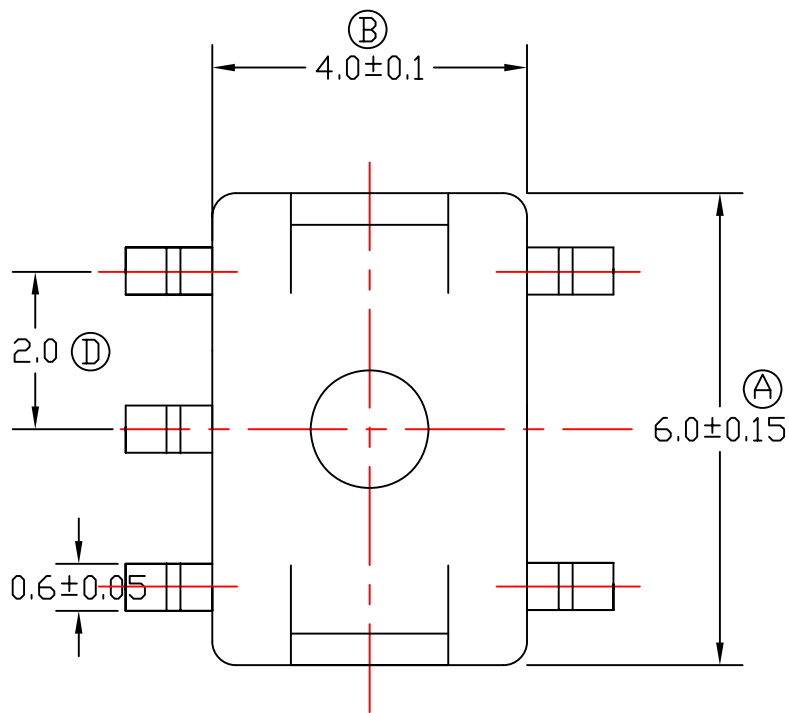
FILE NAME	BM-031		
MODEL NAME	EE 6.3		
MATERIAL	L C P		
PIN MATERIAL	NICKEL BRONZE PHOSPHOR BRONZE		
TOLERANCE	UL REC.	UNIT	
X. 0.15	UL 94V-0	m m	
X.X 0.1			



台速工業股份有限公司		FILE NAME	BM-031-1	
BOBBIN MASTER INDUSTRIAL CO;LTD.		MODEL NAME	EE 6.3	
TEL:(886 2) 2694-3199		MATERIAL	L C P	
FAX:(886 2) 2694-0947		PIN MATERIAL	NICKEL BRONZE PHOSPHOR BRONZE	
REV		TOLERANCE	UL REC.	UNIT
00		X. 0.15	UL 94V-0	m m
		X.X 0.1		



台速工業股份有限公司		FILE NAME	BM-032	
BOBBIN MASTER INDUSTRIAL CO;LTD.		MODEL NAME	6X3X2 BASE	
TEL:(886 2) 2694-3199		MATERIAL	L C P	
FAX:(886 2) 2694-0947		PIN MATERIAL	NICKEL BRONZE PHOSPHOR BRONZE	
REV	00	TOLERANCE	UL REC.	UNIT
		X. 0.15	UL 94V-0	m m
		X.X 0.1		



台速工業股份有限公司

BOBBIN MASTER INDUSTRIAL CO;LTD.

TEL:(886 2) 2694-3199

FAX:(886 2) 2694-0947

REV 00

FILE NAME

BM-032-1

MODEL NAME

6X3X2 BASE

MATERIAL

PM9630

PIN MATERIAL

NICKEL BRONZE PHOSPHOR BRONZE

TOLERANCE

UL REC.

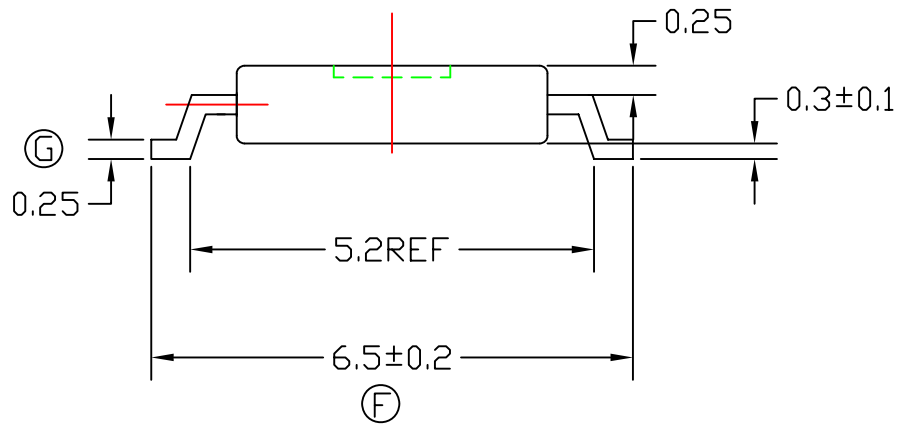
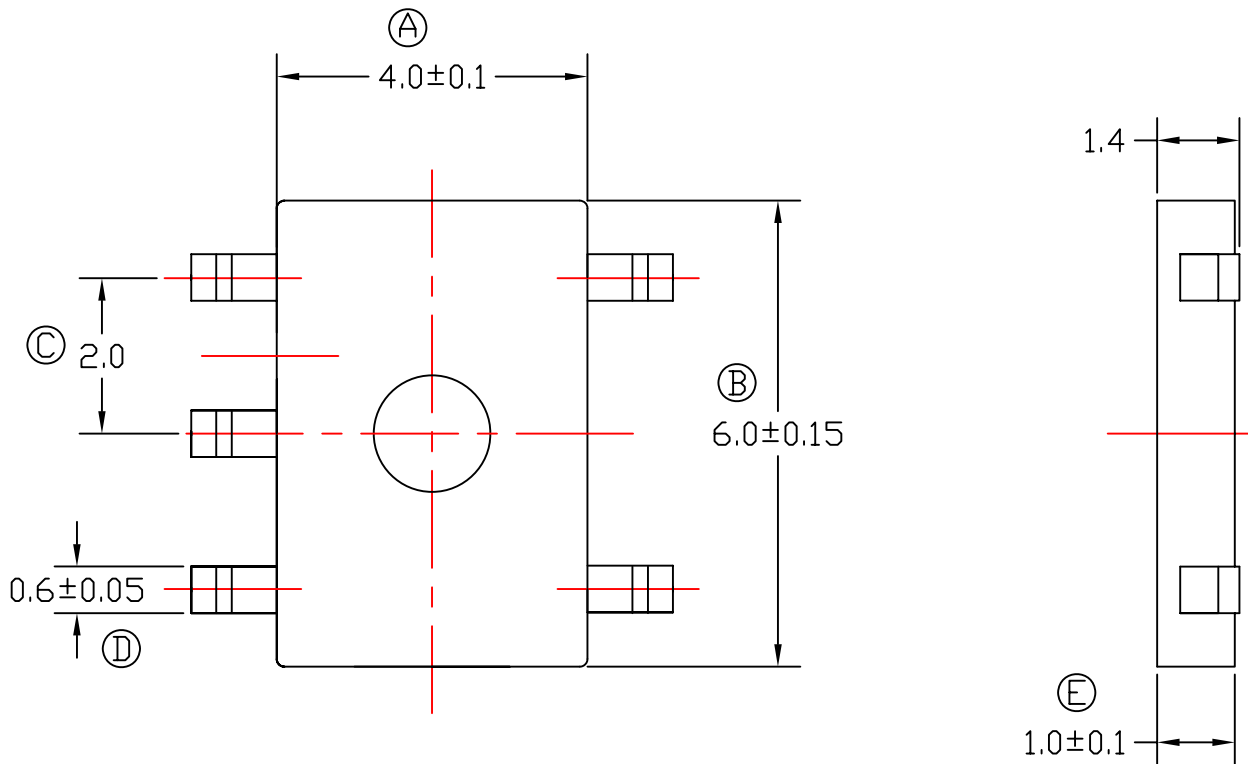
UNIT

X. 0.15

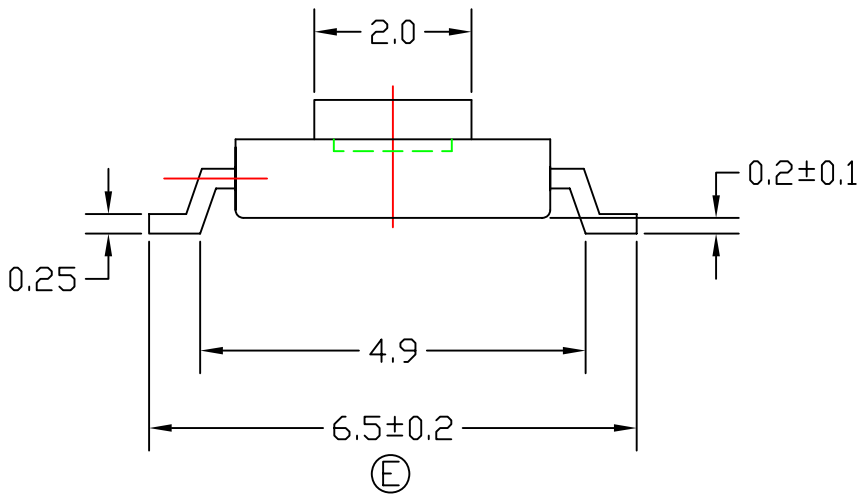
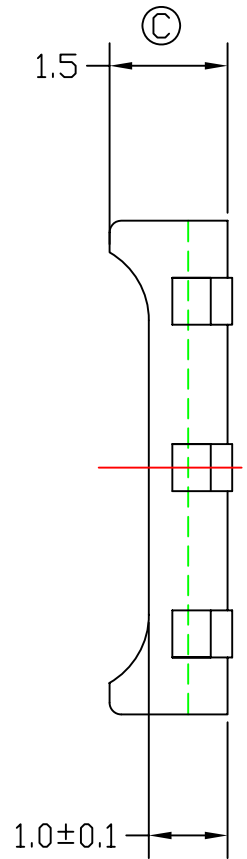
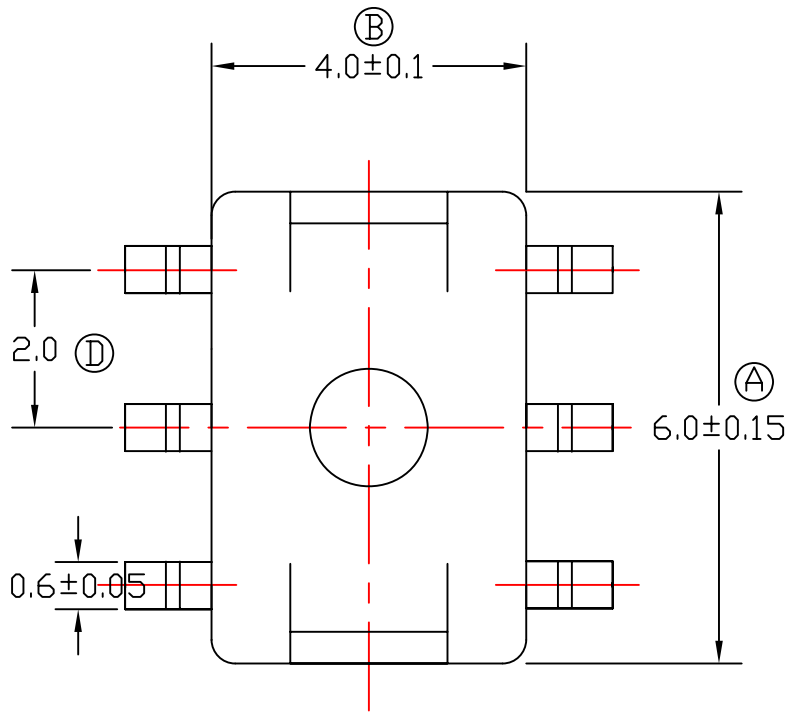
UL 94V-0

m m

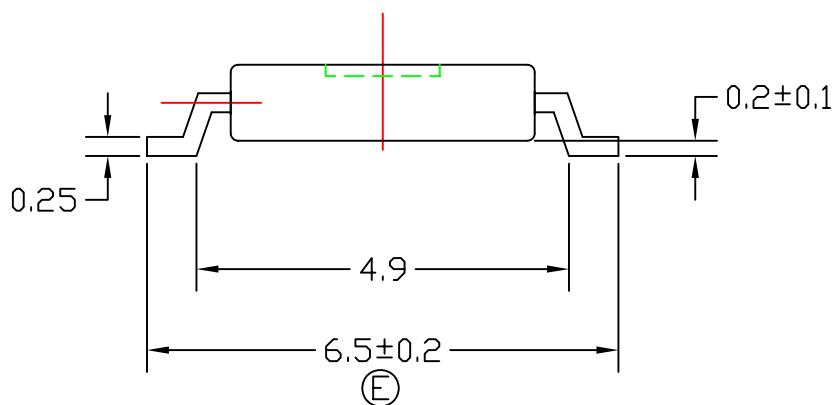
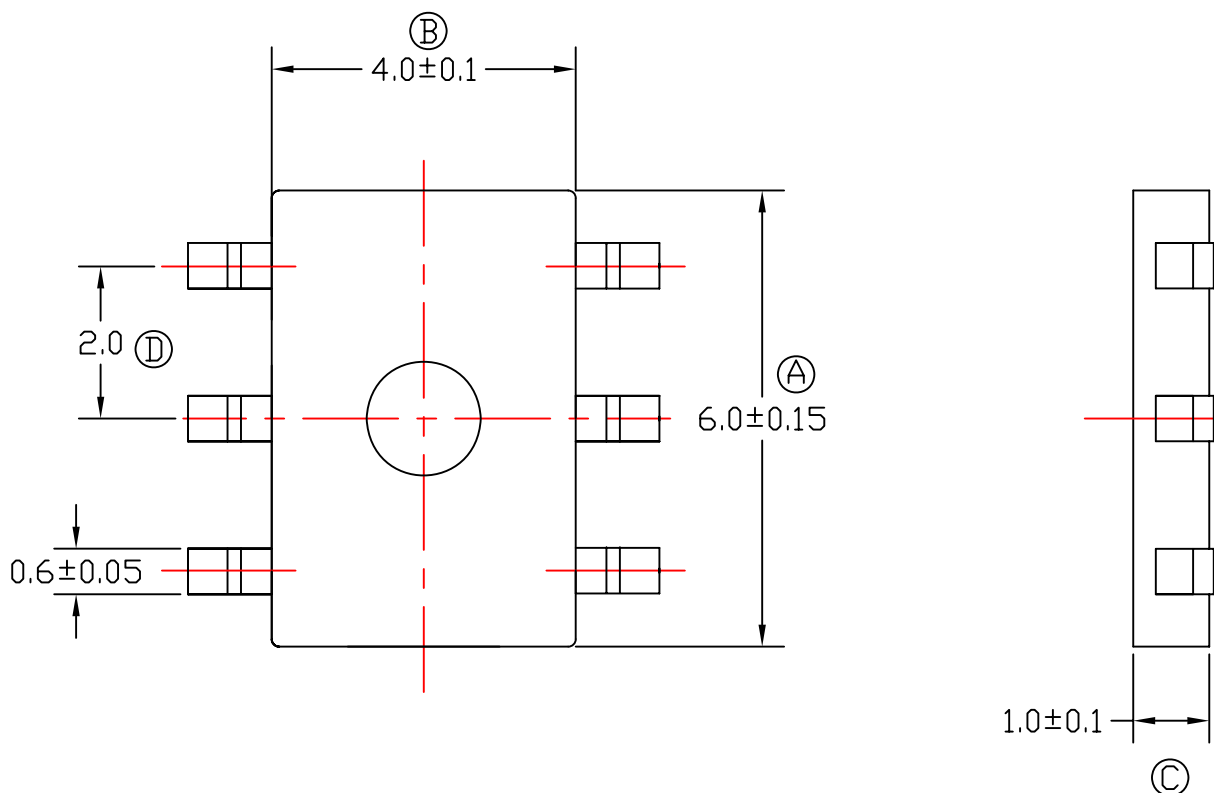
X.X 0.1



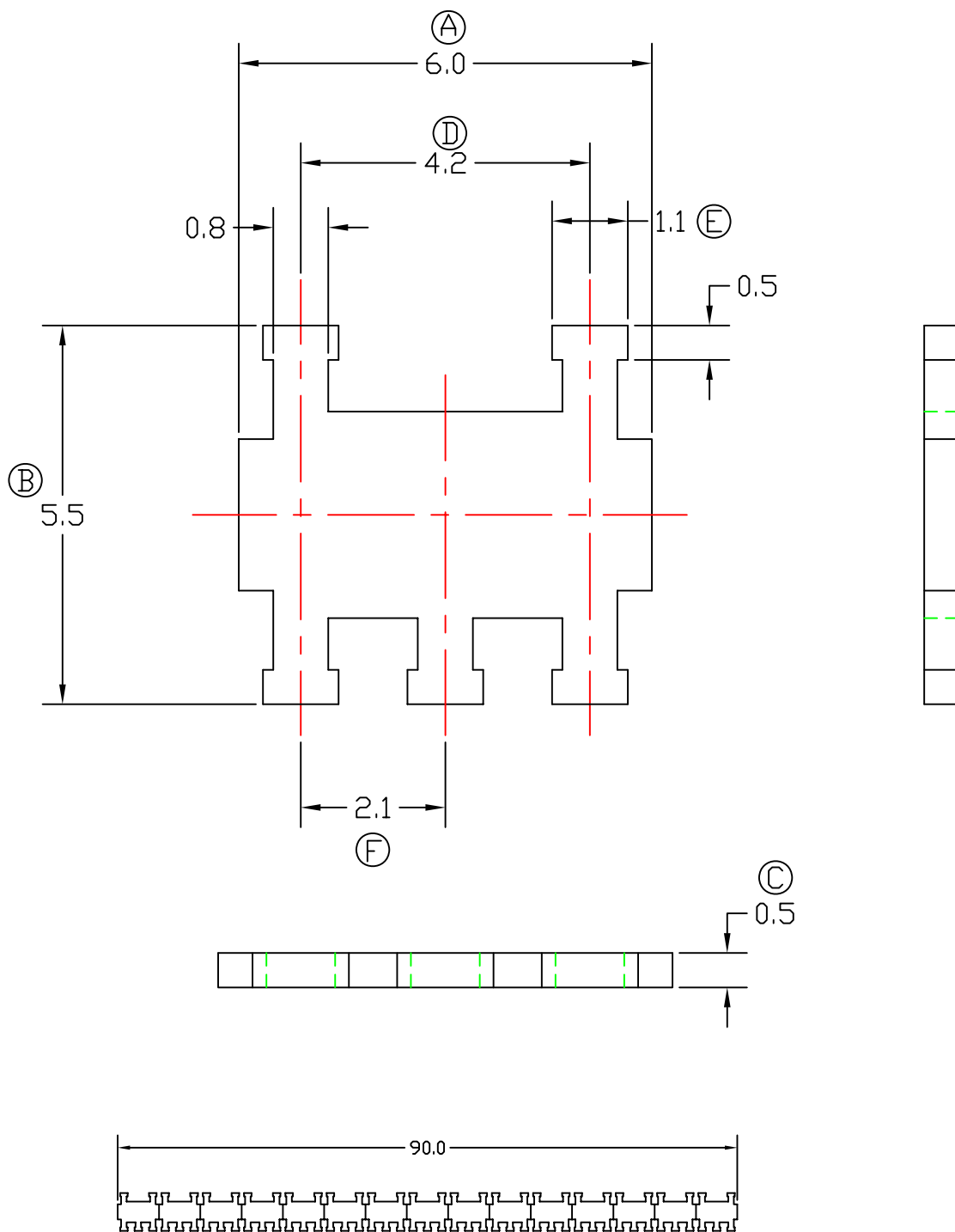
台速工業股份有限公司		FILE NAME	BM-032-2	
BOBBIN MASTER INDUSTRIAL CO;LTD.		MODEL NAME	6X3X2 BASE	
TEL:(886 2) 2694-3199		MATERIAL	L C P	
FAX:(886 2) 2694-0947		PIN MATERIAL	NICKEL BRONZE PHOSPHOR BRONZE	
REV	00	TOLERANCE	UL REC.	UNIT
		X. 0.15 X.X 0.1	UL 94V-0	m m



台速工業股份有限公司			FILE NAME	BM-032-3	
BOBBIN MASTER INDUSTRIAL CO;LTD.			MODEL NAME	6X3X2 BASE	
TEL:(886 2) 2694-3199			MATERIAL	PM9630	
FAX:(886 2) 2694-0947			PIN MATERIAL	NICKEL BRONZE PHOSPHOR BRONZE	
REV			TOLERANCE	UL REC.	UNIT
00			X. 0.15	UL 94V-0	m m
			X.X 0.1		

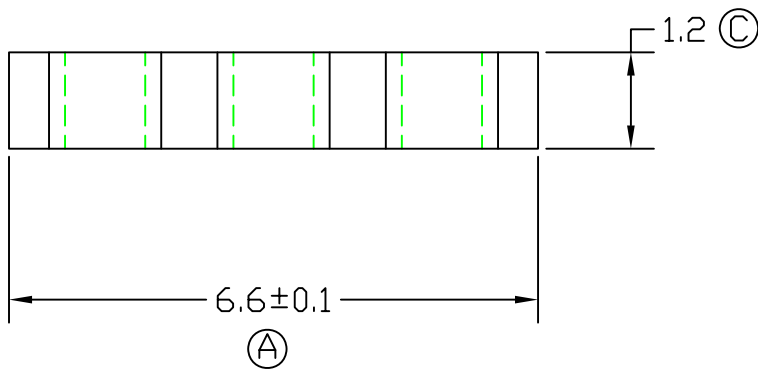
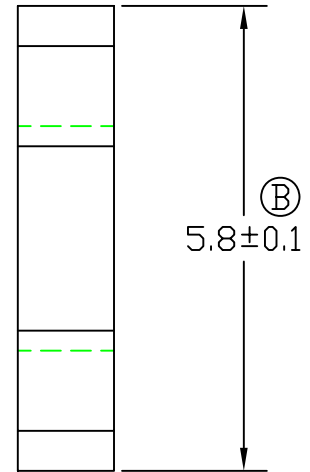
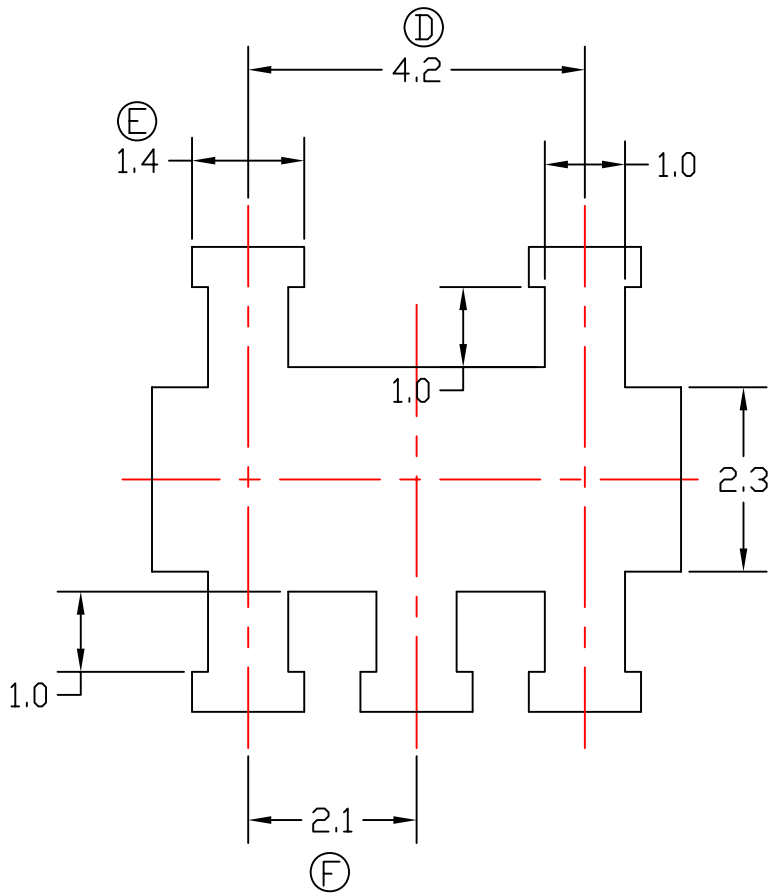


台速工業股份有限公司		FILE NAME	BM-032-4	
BOBBIN MASTER INDUSTRIAL CO;LTD.		MODEL NAME	6X3X2 BASE	
TEL:(886 2) 2694-3199		MATERIAL	SUMITOMT PM9630	
FAX:(886 2) 2694-0947		PIN MATERIAL	NICKEL BRONZE PHOSPHOR BRONZE	
REV	00	TOLERANCE	UL REC.	UNIT
		X. 0.15	UL 94V-0	m m
		X.X 0.1		



台速工業股份有限公司		FILE NAME	BM-033	
BOBBIN MASTER INDUSTRIAL CO;LTD.		MODEL NAME	5 PIN BASE	
TEL:(886 2) 2694-3199		MATERIAL	LCP E4008	
FAX:(886 2) 2694-0947		PIN MATERIAL	NICKEL BRONZE PHOSPHOR BRONZE	
REV	00	TOLERANCE	UL REC.	UNIT
		X. 0.15 X.X 0.1	UL 94V-0	m m





台速工業股份有限公司

BOBBIN MASTER INDUSTRIAL CO;LTD.

TEL:(886 2) 2694-3199

FAX:(886 2) 2694-0947

REV 00

FILE NAME

BM-034

MODEL NAME

5 PIN BASE

MATERIAL

LCP E4008

PIN MATERIAL

NICKEL BRONZE PHOSPHOR BRONZE

TOLERANCE

UL REC.

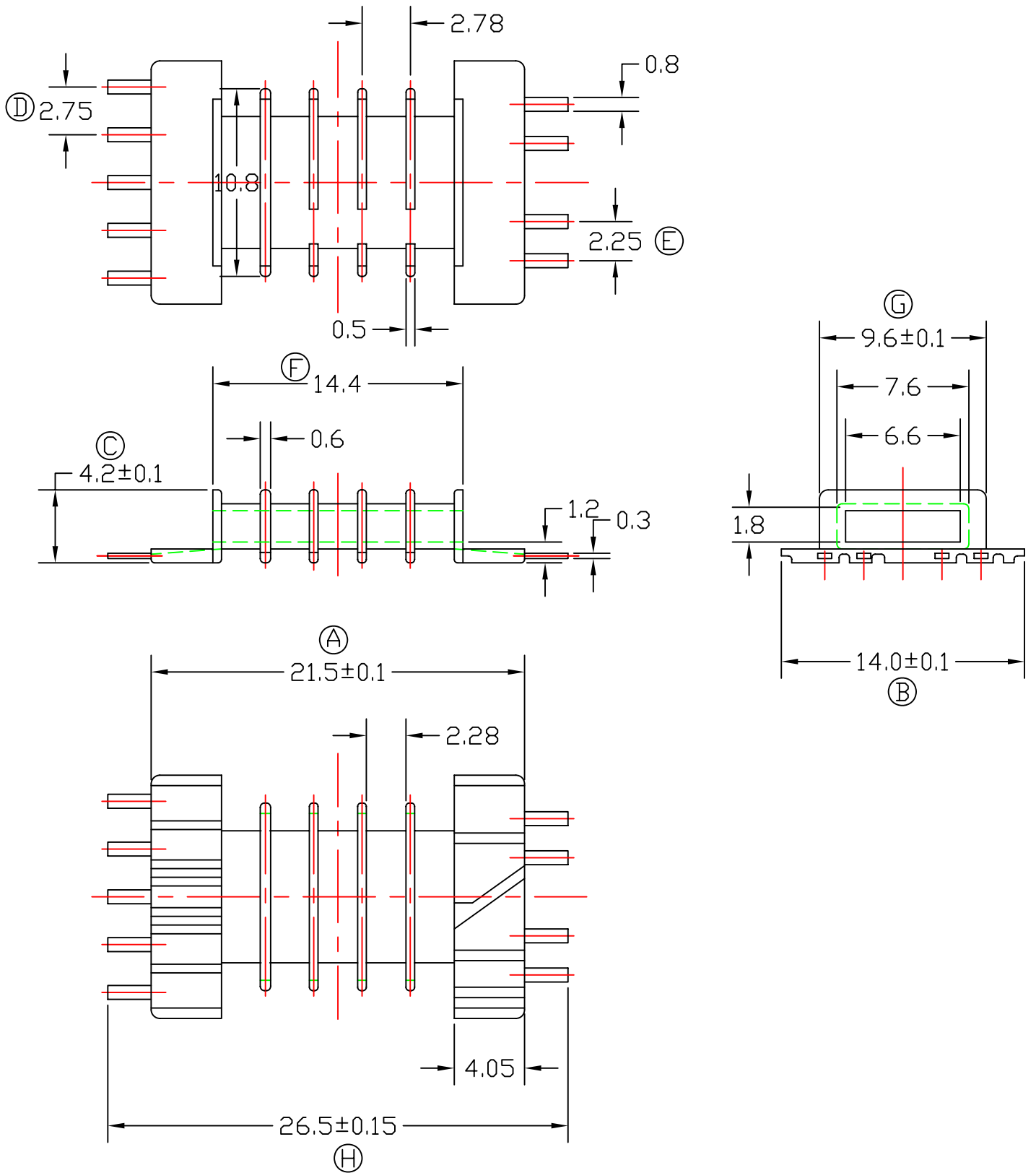
UNIT

X. 0.15

X.X 0.1

UL 94V-0

m m



台速工業股份有限公司

BOBBIN MASTER INDUSTRIAL CO;LTD.

TEL:(886 2) 2694-3199

FAX:(886 2) 2694-0947

REV 00

FILE NAME

BM-035

MODEL NAME

EFD15.2 BOBBIN

MATERIAL

L C P

PIN MATERIAL

NICKEL BRONZE PHOSPHOR BRONZE

TOLERANCE

UL REC.

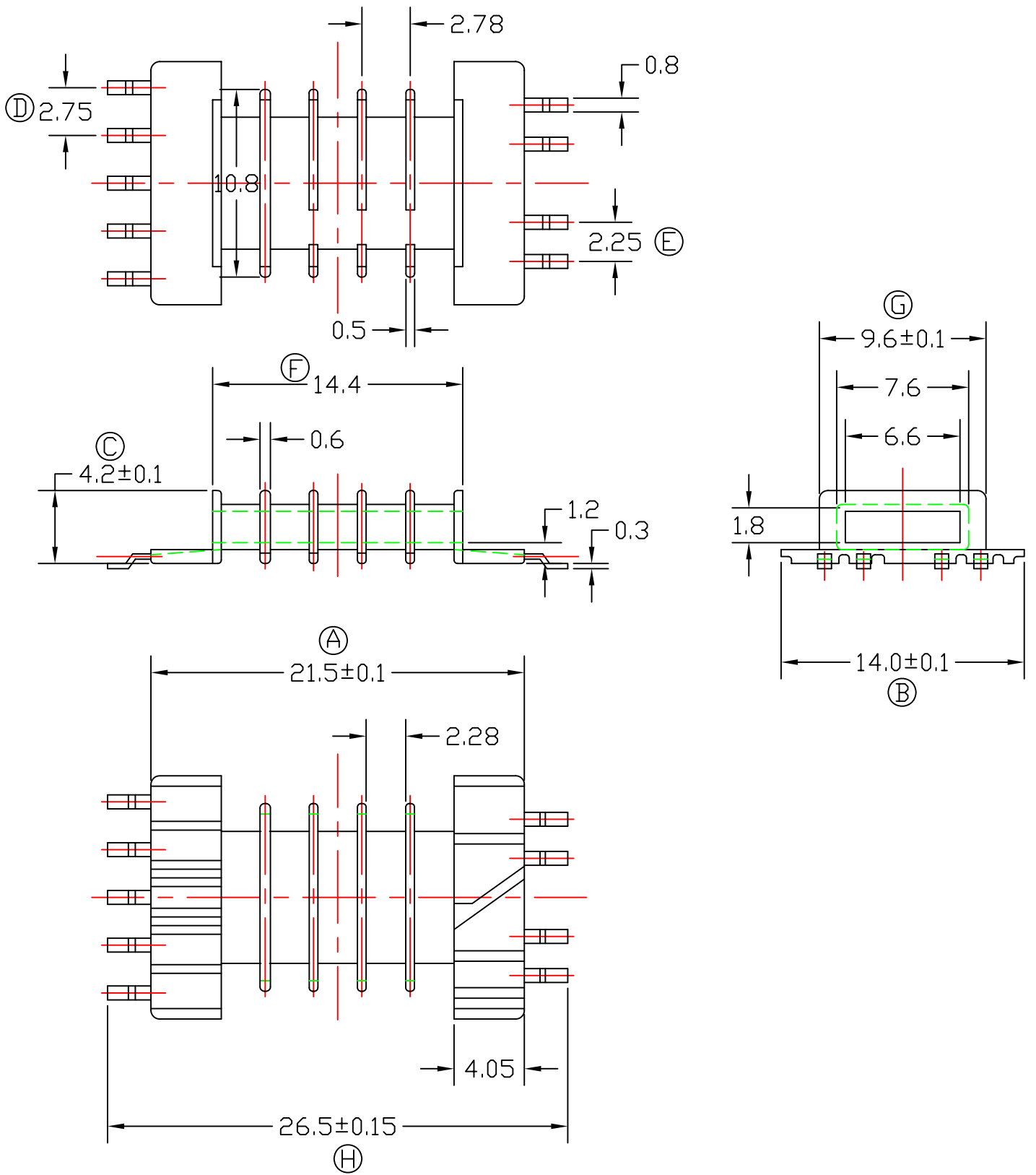
UNIT

X. 0.15

UL 94V-0

m m

X.X 0.1



台速工業股份有限公司

BOBBIN MASTER INDUSTRIAL CO;LTD.

TEL:(886 2) 2694-3199

FAX:(886 2) 2694-0947

REV 00

FILE NAME

BM-035-1

MODEL NAME

EFD15.2 BOBBIN

MATERIAL

L C P

PIN MATERIAL

NICKEL BRONZE PHOSPHOR BRONZE

TOLERANCE

UL REC.

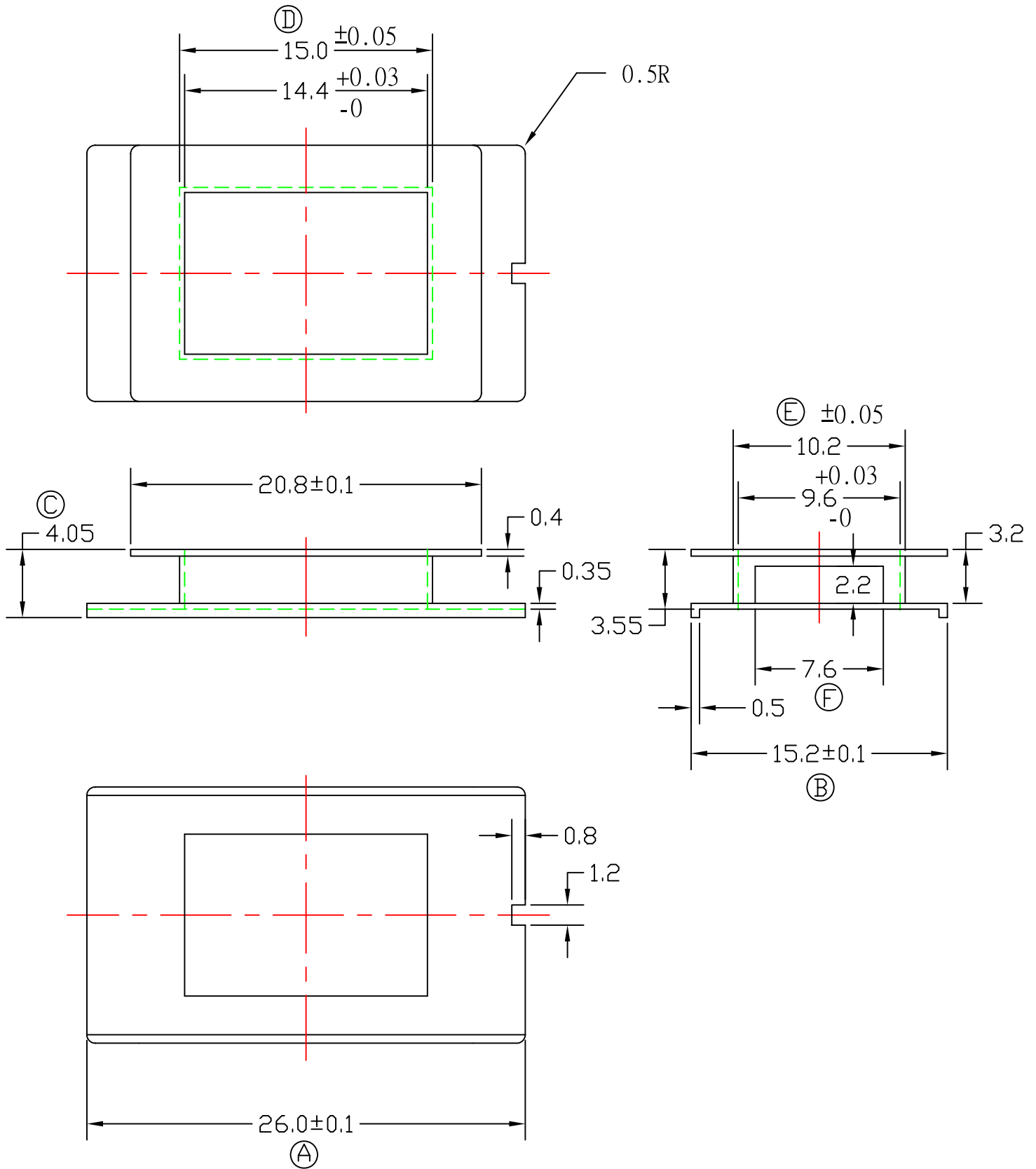
UNIT

X. 0.15

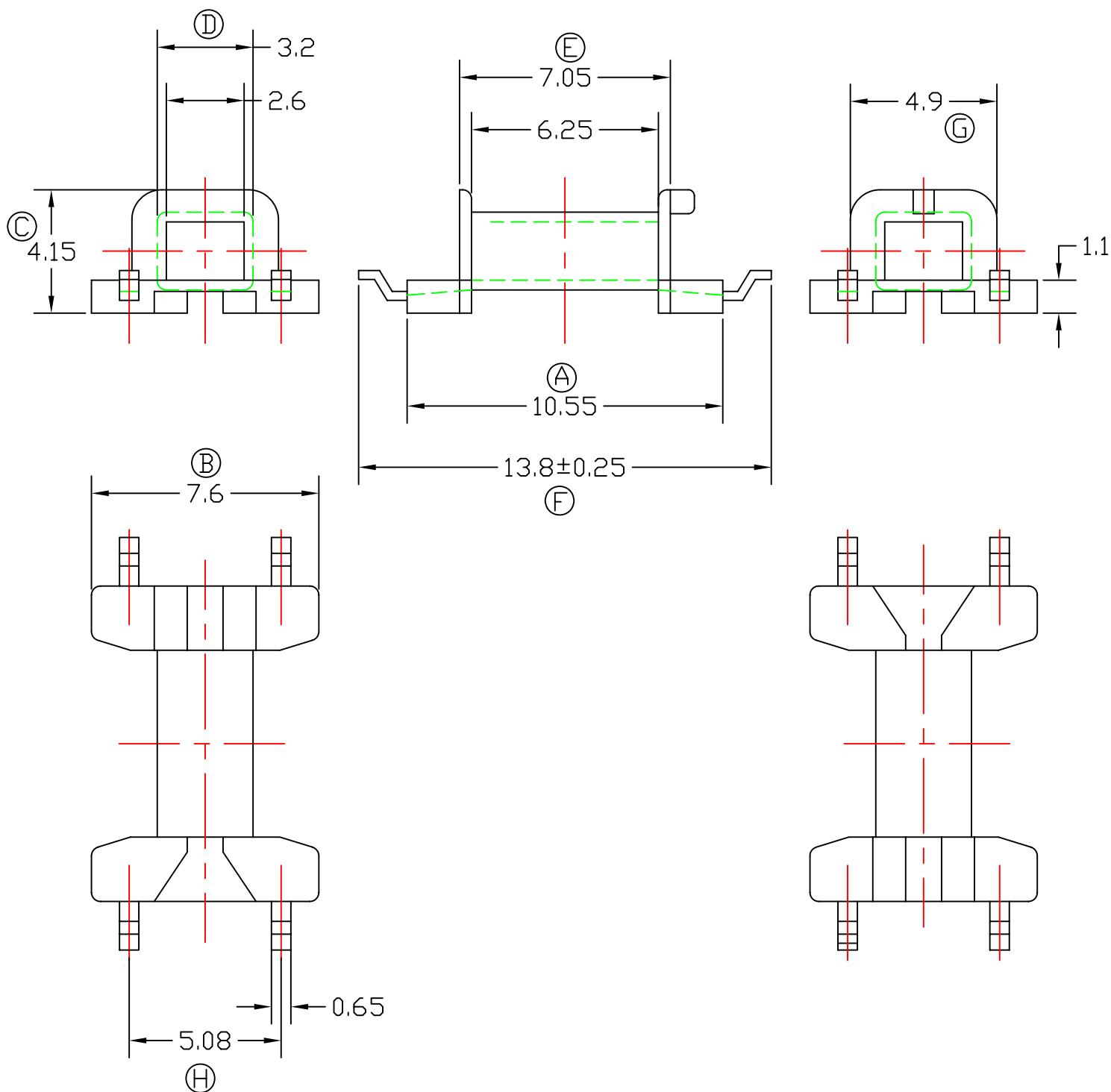
UL 94V-0

m m

X.X 0.1



台速工業股份有限公司		FILE NAME	BM-035-2	
BOBBIN MASTER INDUSTRIAL CO;LTD.		MODEL NAME	EFD15.2 COVER	
TEL:(886 2) 2694-3199		MATERIAL	L C P	
FAX:(886 2) 2694-0947		PIN MATERIAL	NICKEL BRONZE PHOSPHOR BRONZE	
REV 00		TOLERANCE	UL REC.	UNIT
		X. 0.15	UL 94V-0	m m
		X.X 0.1		



台速工業股份有限公司

BOBBIN MASTER INDUSTRIAL CO;LTD.

TEL:(886 2) 2694-3199

FAX:(886 2) 2694-0947

REV 00

FILE NAME

BM-036

MODEL NAME

EE 8 SMD BOBBIN

MATERIAL

L C P

PIN MATERIAL

NICKEL BRONZE PHOSPHOR BRONZE

TOLERANCE

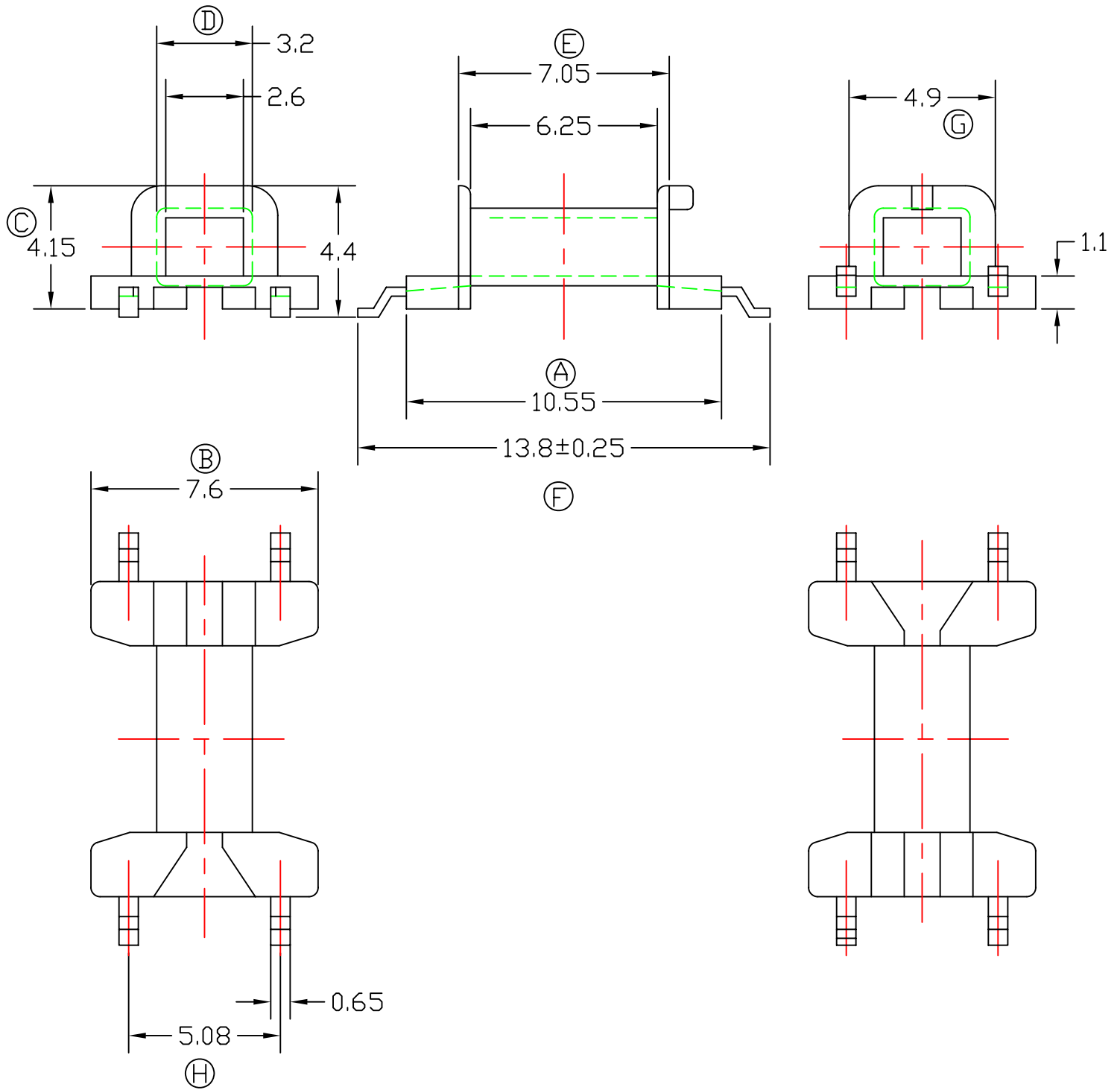
UL REC.

UNIT

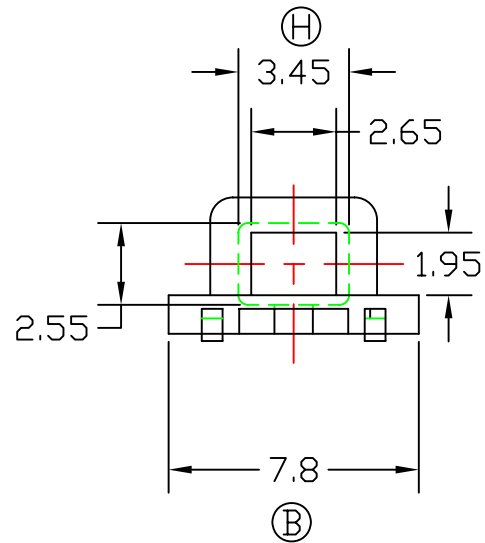
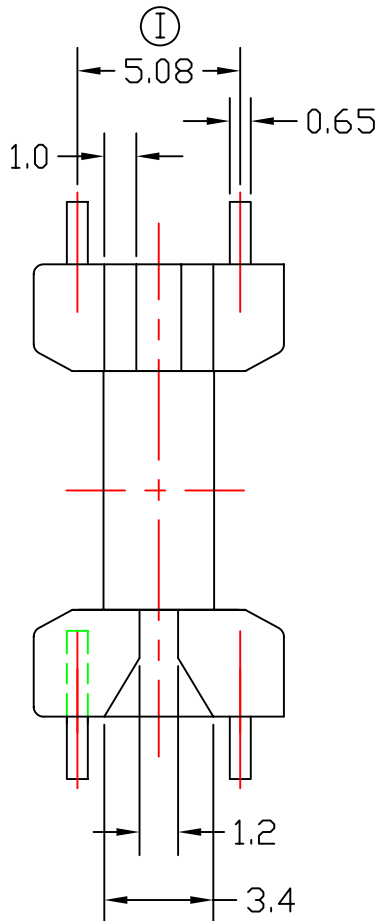
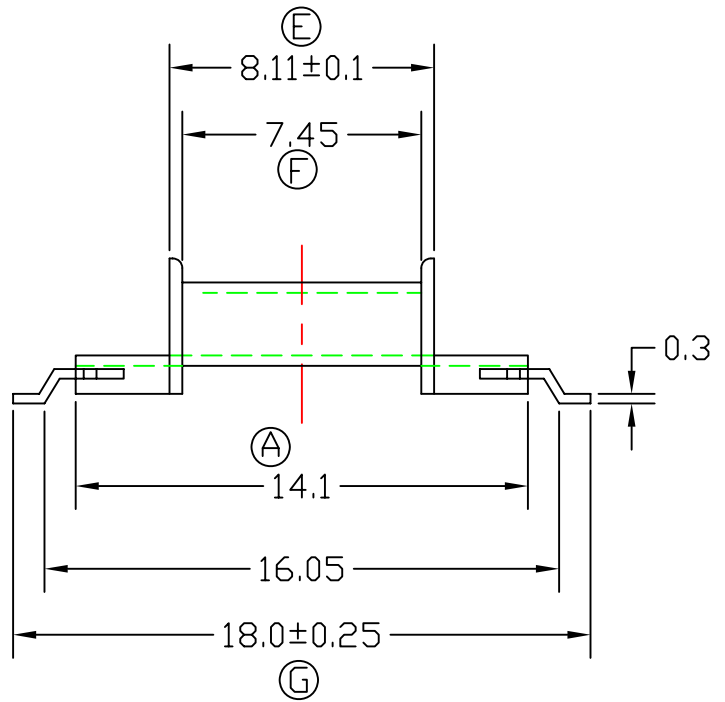
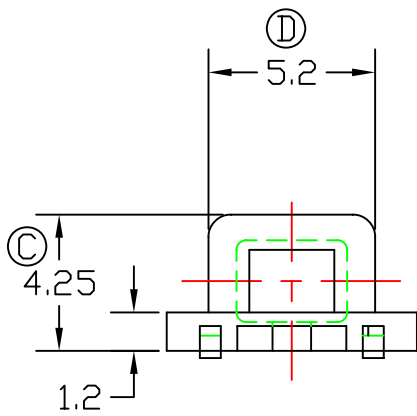
X. 0.15  
X.X 0.1

UL 94V-0

m m



台速工業股份有限公司		FILE NAME	BM-036-1	
BOBBIN MASTER INDUSTRIAL CO;LTD.		MODEL NAME	EE 8 SMD BOBBIN	
TEL:(886 2) 2694-3199		MATERIAL	L C P	
FAX:(886 2) 2694-0947		PIN MATERIAL	NICKEL BRONZE PHOSPHOR BRONZE	
REV 00		TOLERANCE	UL REC.	UNIT
		X. 0.15	UL 94V-0	m m
		X.X 0.1		



台速工業股份有限公司

BOBBIN MASTER INDUSTRIAL CO;LTD.

TEL:(886 2) 2694-3199

FAX:(886 2) 2694-0947

REV 00

FILE NAME

BM-040

MODEL NAME

EE 8

MATERIAL

E4008

PIN MATERIAL

NICKEL BRONZE PHOSPHOR BRONZE

TOLERANCE

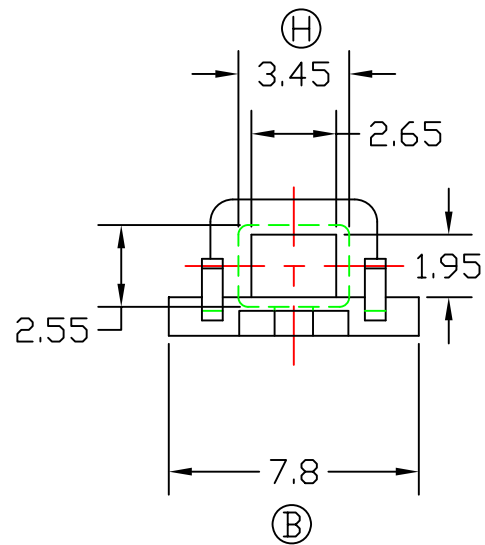
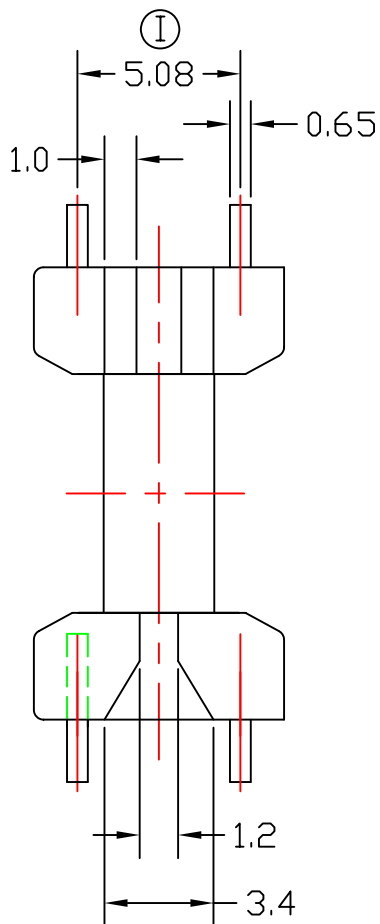
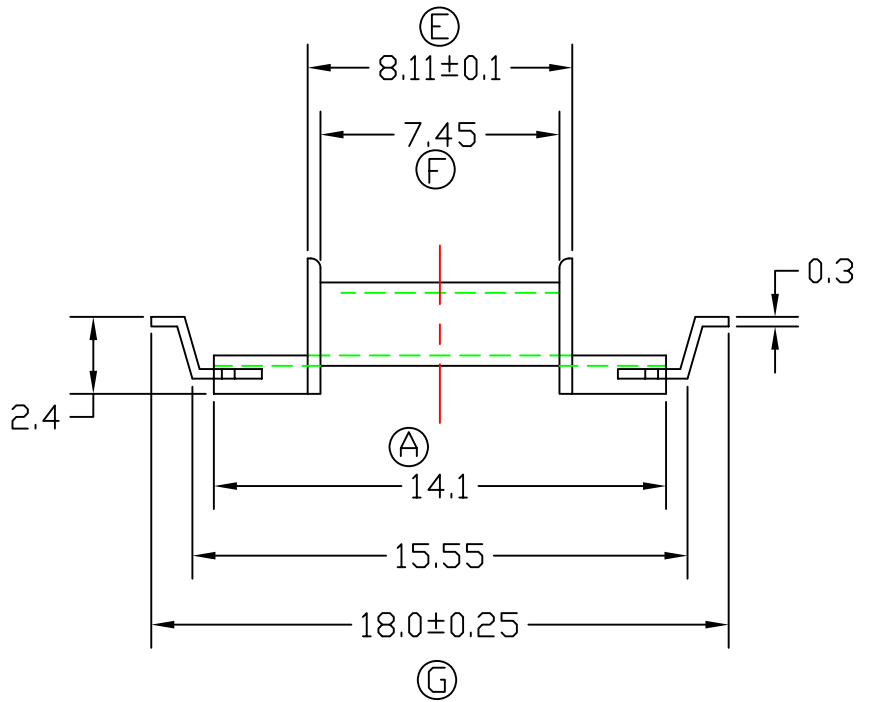
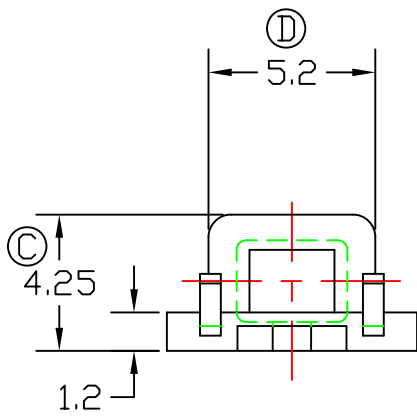
UL REC.

UNIT

X. 0.15  
X.X 0.1

UL 94V-0

m m



台速工業股份有限公司

BOBBIN MASTER INDUSTRIAL CO;LTD.

TEL:(886 2) 2694-3199

FAX:(886 2) 2694-0947

REV 00

FILE NAME

BM-040-1

MODEL NAME

EE 8

MATERIAL

E4008

PIN MATERIAL

NICKEL BRONZE PHOSPHOR BRONZE

TOLERANCE

UL REC.

UNIT

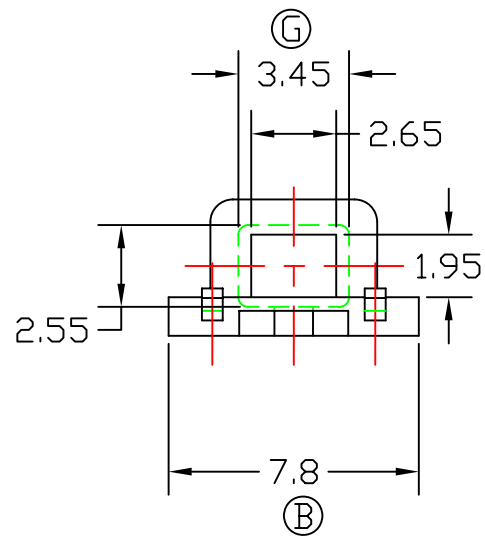
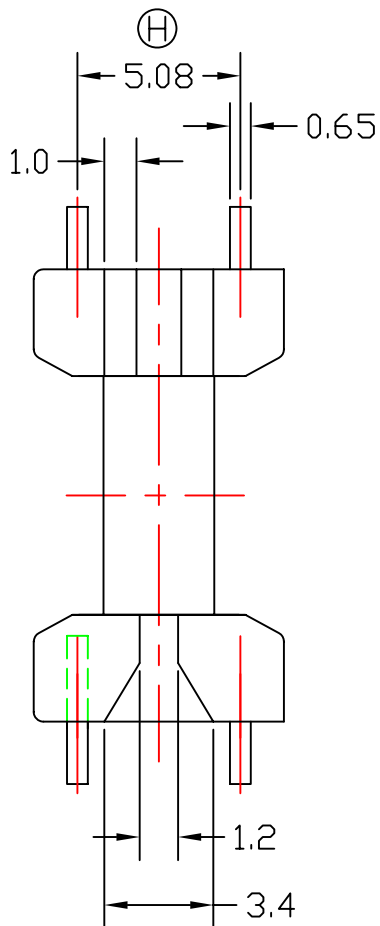
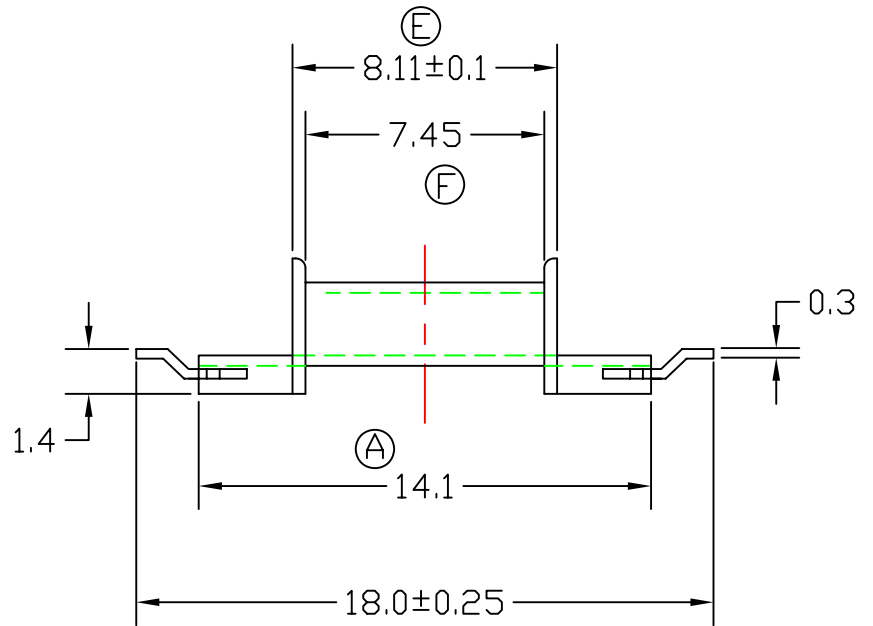
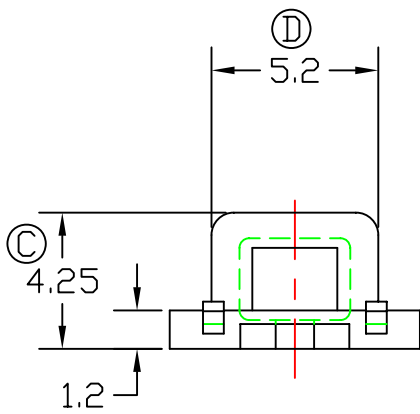
X. 0.15

X.X 0.1

UL 94V-0

m m





台速工業股份有限公司

BOBBIN MASTER INDUSTRIAL CO;LTD.

TEL:(886 2) 2694-3199

FAX:(886 2) 2694-0947

REV 00

FILE NAME

BM-041

MODEL NAME

EE 8

MATERIAL

E4008

PIN MATERIAL

NICKEL BRONZE PHOSPHOR BRONZE

TOLERANCE

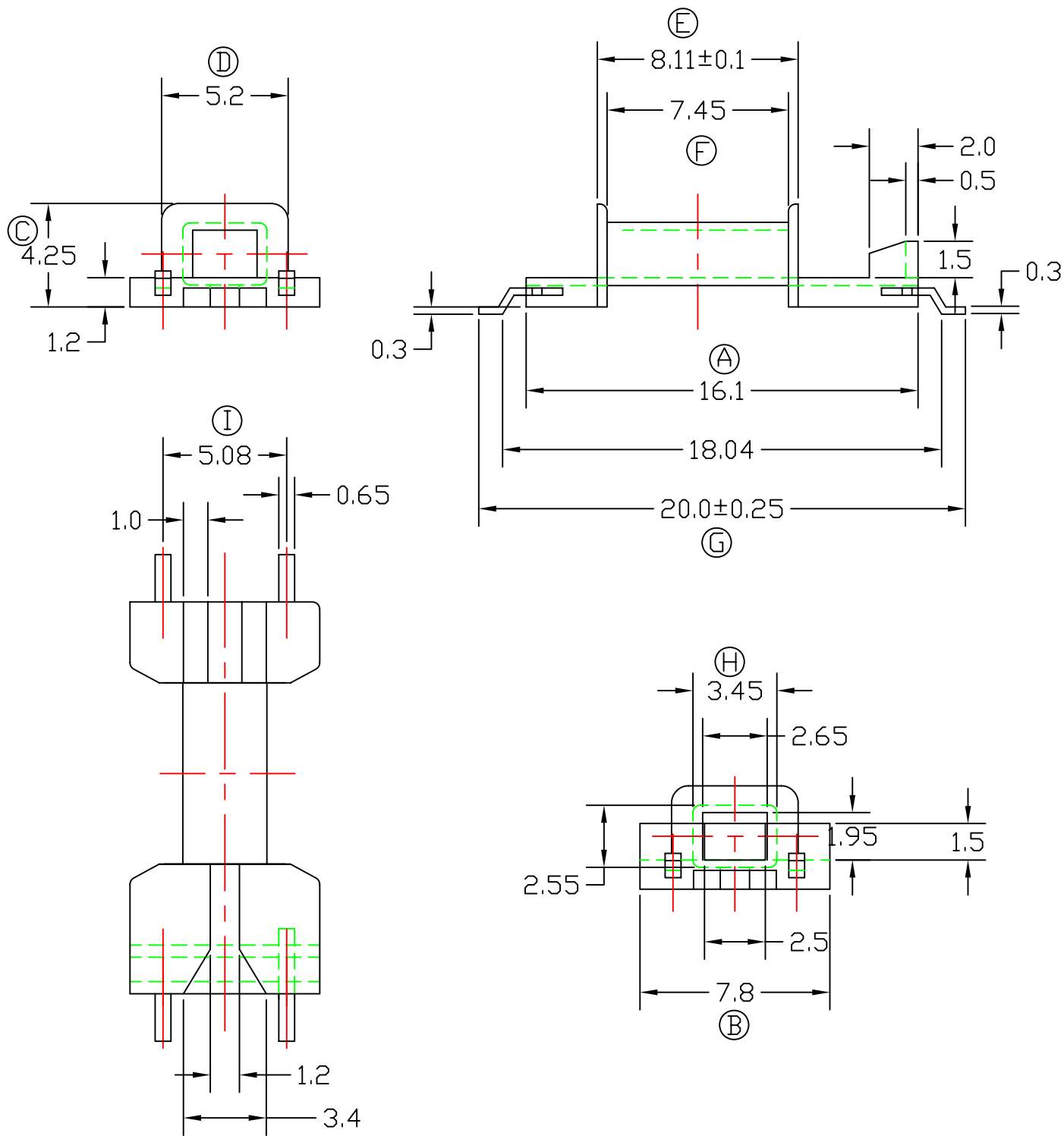
UL REC.

UNIT

X. 0.15  
X.X 0.1

UL 94V-0

m m



台速工業股份有限公司

BOBBIN MASTER INDUSTRIAL CO;LTD.

TEL:(886 2) 2694-3199

FAX:(886 2) 2694-0947

REV 00

FILE NAME

BM-042

MODEL NAME

EE 8

MATERIAL

E4008

PIN MATERIAL

NICKEL BRONZE PHOSPHOR BRONZE

TOLERANCE

UL REC.

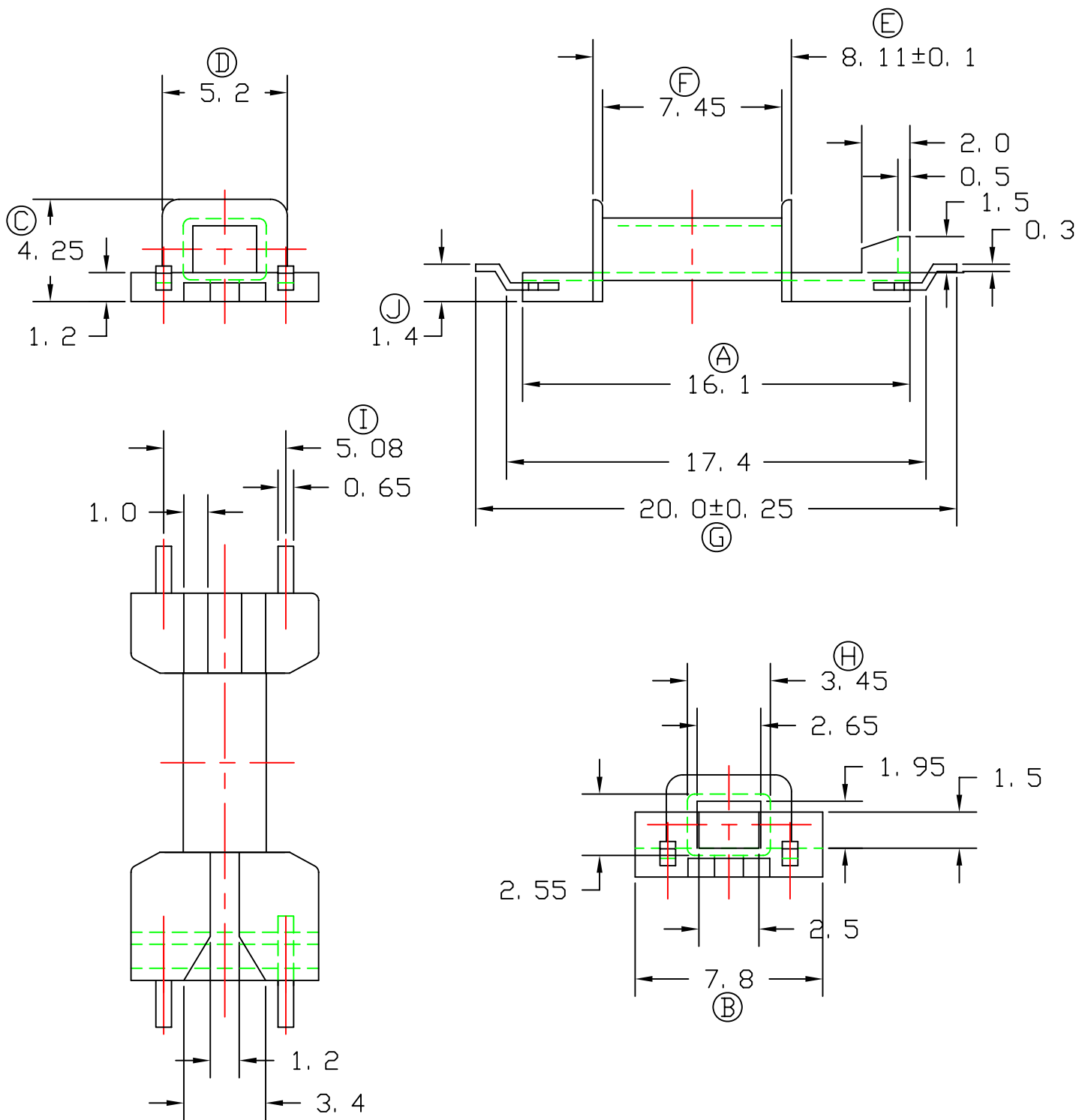
UNIT

X. 0.15

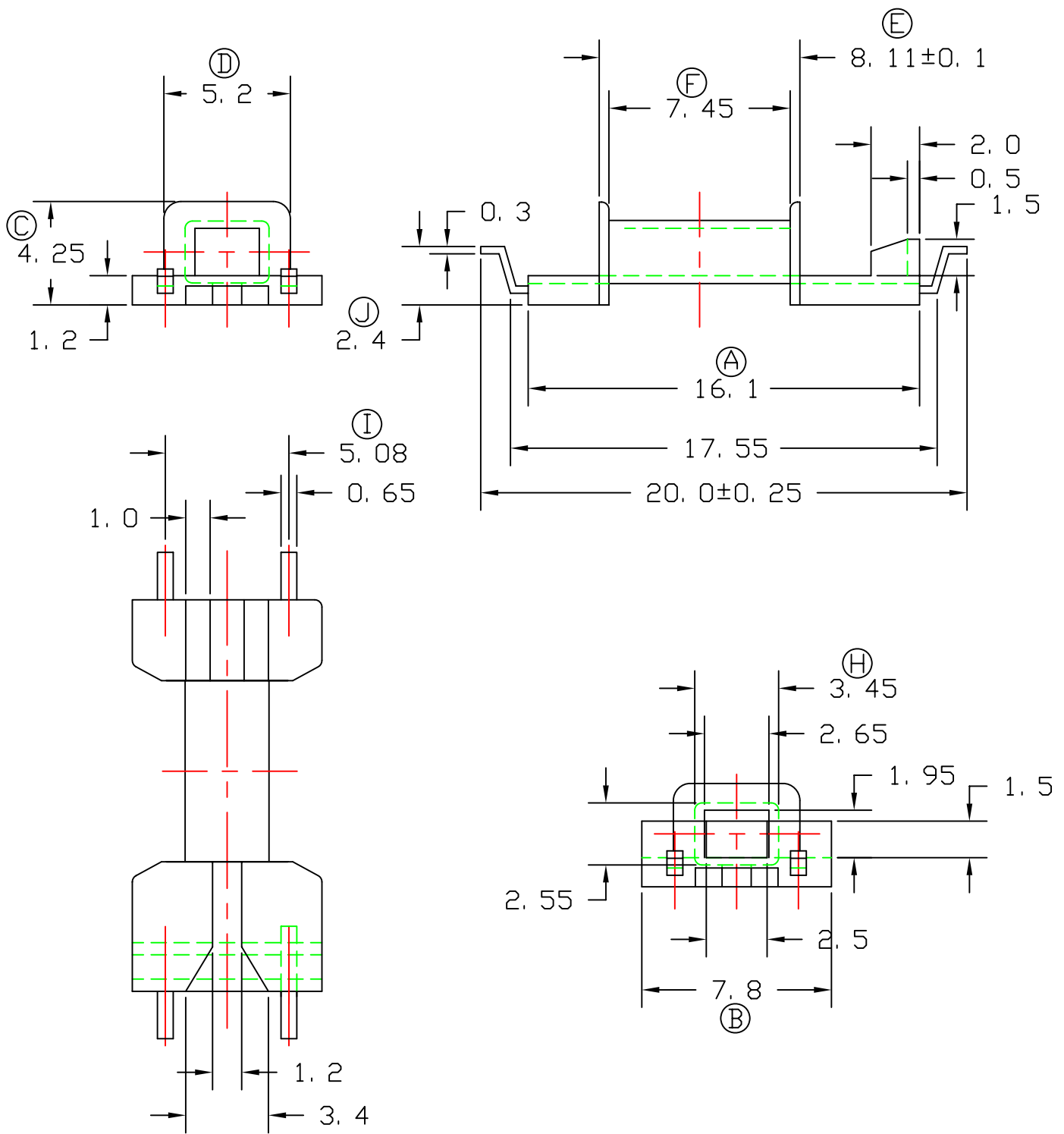
UL 94V-0

m m

X.X 0.1



台速工股份有限公司		FILE NAME	BM-043	
BOBBIN MASTER INDUSTRIAL CO;LTD.		MODEL NAME	EE 8	
TEL: (886 2) 2694-3199		MATERIAL	E4008	
FAX: (886 2) 26940947		PIN MATERIAL	PHOSPHOR , NICKEL BRONZE	
REV 00		TOLERANCE	UL REC.	UNIT
		X. 0.15	UL 94V-0	m m
		X.X 0.1		



台速工股份有限公司

BOBBIN MASTER INDUSTRIAL CO;LTD.

TEL: (886 2) 2694-3199

FAX: (886 2) 26940947

REV 00

FILE NAME

BM-043 -1

MODEL NAME

EE 8

MATERIAL

E4008

PIN MATERIAL

PHOSPHOR , NICKEL BRONZE

TOLERANCE

UL REC.

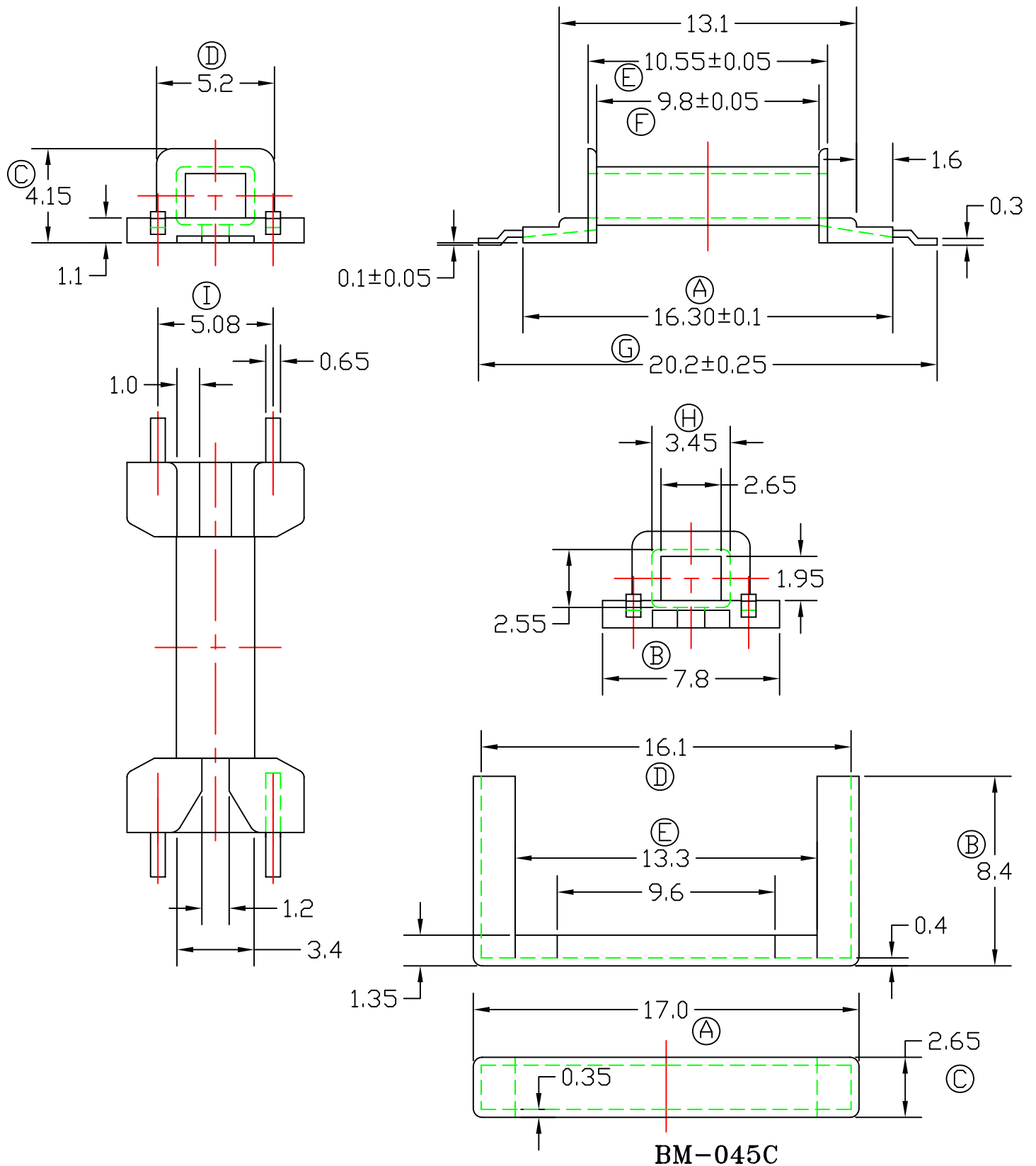
UNIT

X. 0.15

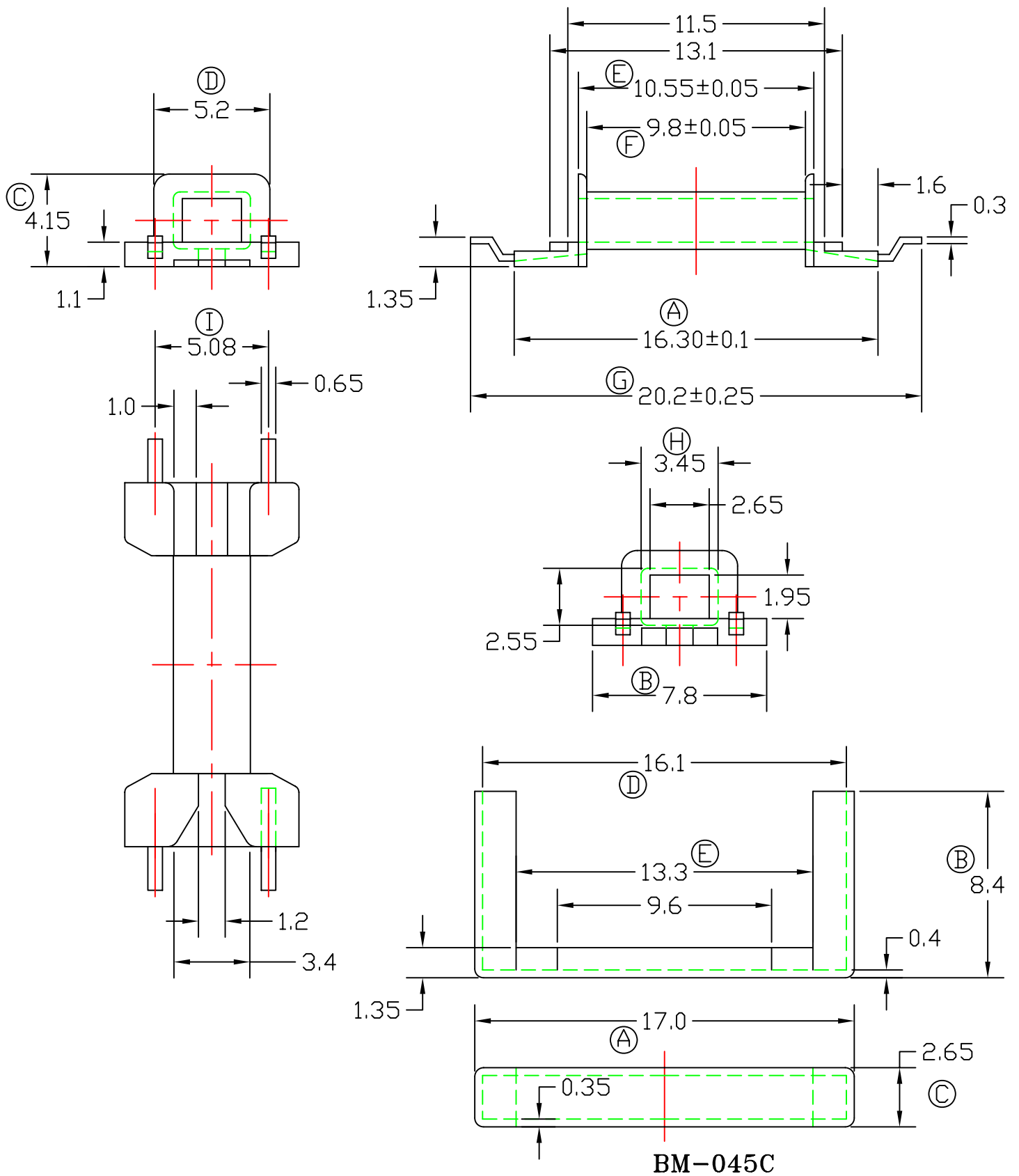
X.X 0.1

UL 94V-0

m m

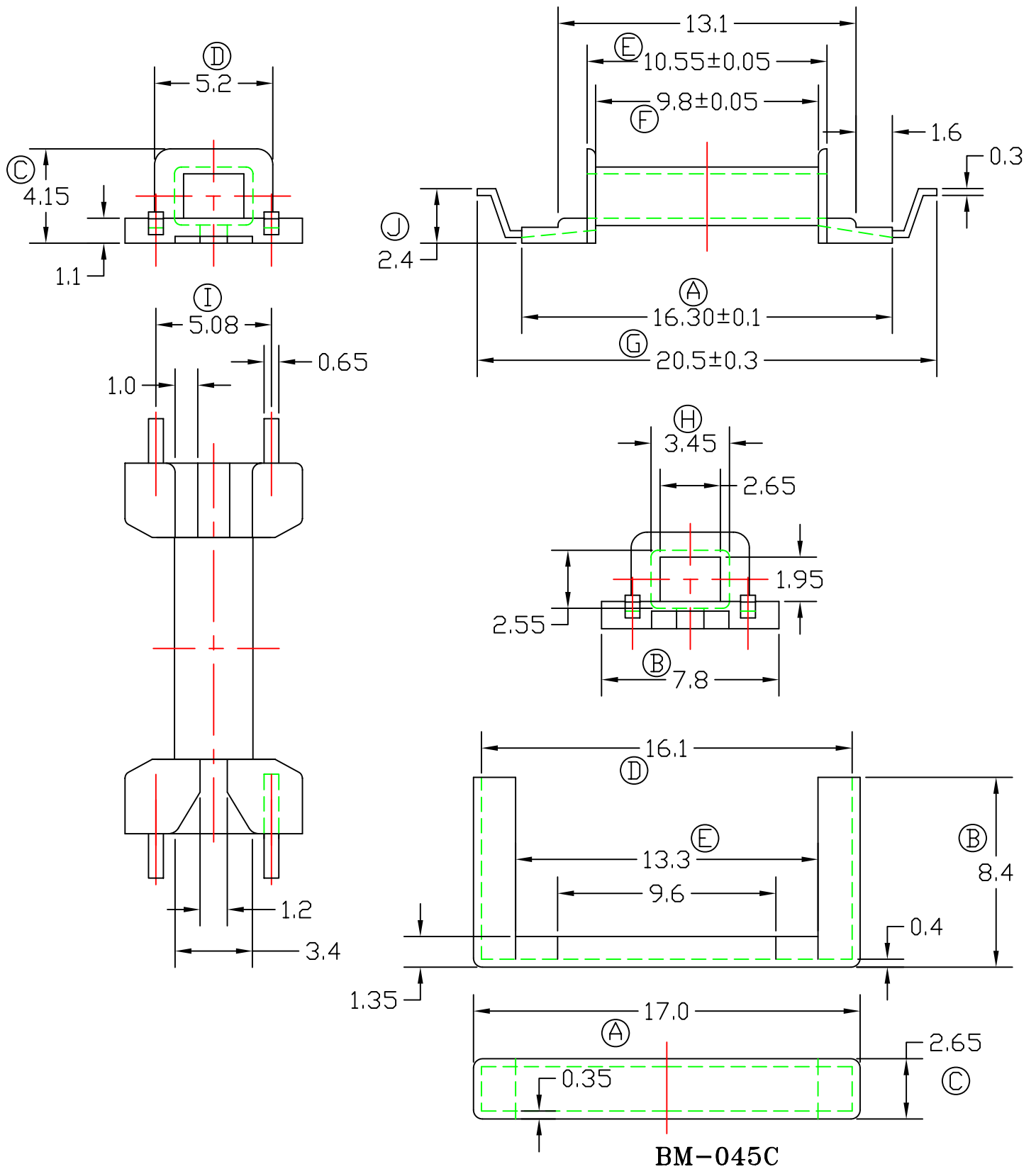


台速工業股份有限公司		FILE NAME	BM-045	
BOBBIN MASTER INDUSTRIAL CO;LTD.		MODEL NAME	EDL8-16.3	
TEL:(886 2) 2694-3199		MATERIAL	E4008	
FAX:(886 2) 2694-0947		PIN MATERIAL	NICKEL BRONZE PHOSPHOR BRONZE	
REV		TOLERANCE	UL REC.	UNIT
00		X. 0.15	UL 94V-0	m m
		X.X 0.1		

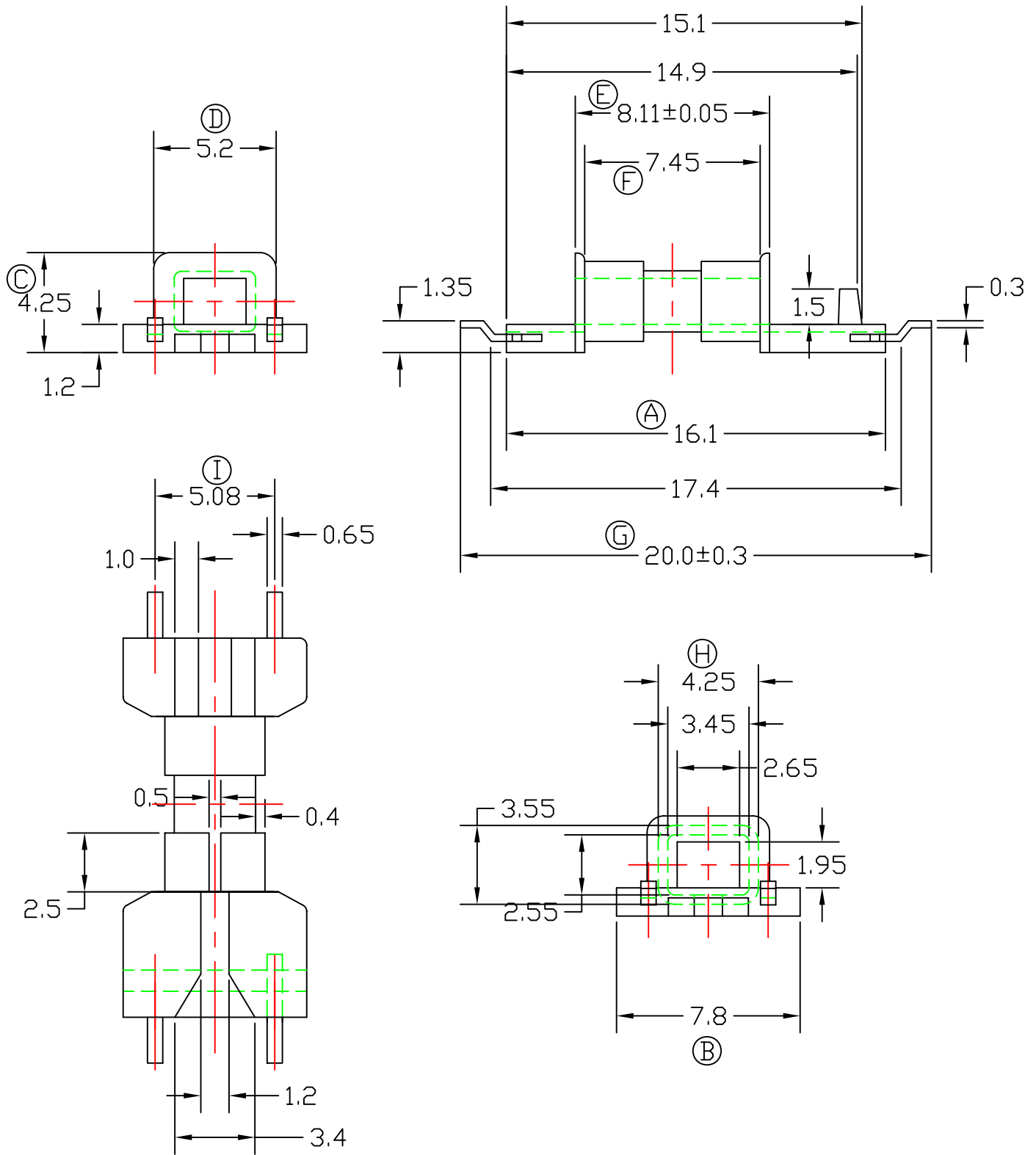


BM-045C

台速工業股份有限公司		FILE NAME	BM-046	
BOBBIN MASTER INDUSTRIAL CO;LTD.		MODEL NAME	EDL8-16.3	
TEL:(886 2) 2694-3199		MATERIAL	E4008	
FAX:(886 2) 2694-0947		PIN MATERIAL	NICKEL BRONZE PHOSPHOR BRONZE	
REV		TOLERANCE	UL REC.	UNIT
00		X. 0.15	UL 94V-0	m m
		X.X 0.1		



台速工業股份有限公司		FILE NAME	BM-047	
BOBBIN MASTER INDUSTRIAL CO;LTD.		MODEL NAME	EDL8-16.3	
TEL:(886 2) 2694-3199		MATERIAL	E4008	
FAX:(886 2) 2694-0947		PIN MATERIAL	NICKEL BRONZE PHOSPHOR BRONZE	
REV		TOLERANCE	UL REC.	UNIT
00		X. 0.15	UL 94V-0	m m
		X.X 0.1		



台速工業股份有限公司

BOBBIN MASTER INDUSTRIAL CO;LTD.

TEL:(886 2) 2694-3199

FAX:(886 2) 2694-0947

REV 00

FILE NAME

BM-048

MODEL NAME

EE 8

MATERIAL

E4008

PIN MATERIAL

NICKEL BRONZE PHOSPHOR BRONZE

TOLERANCE

UL REC.

UNIT

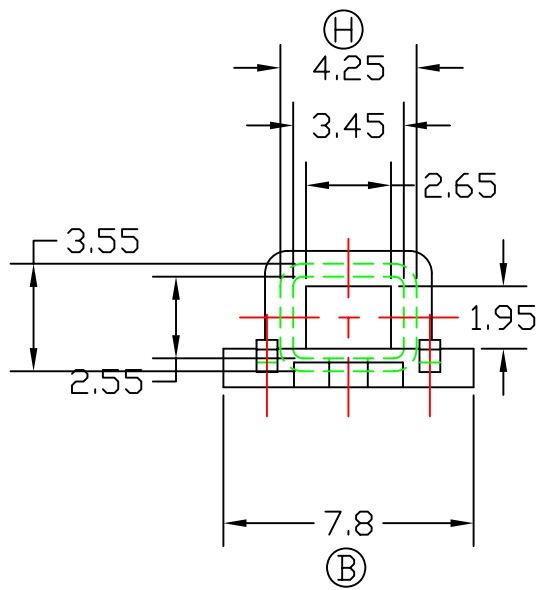
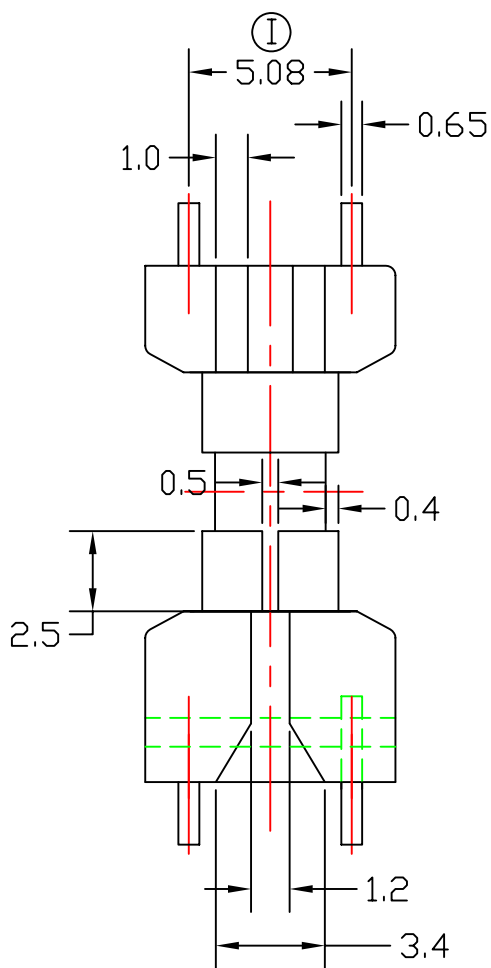
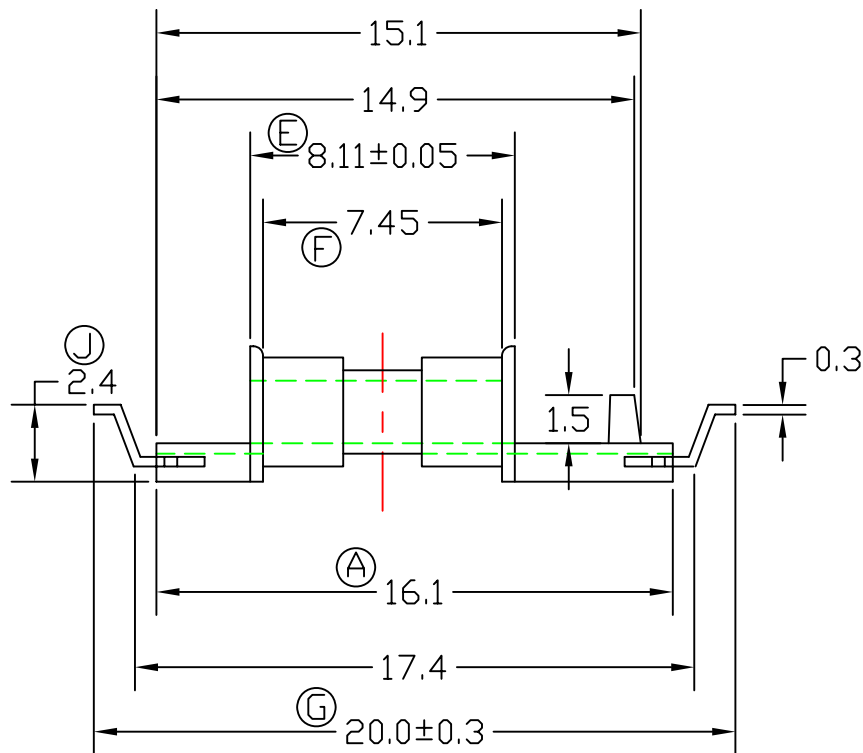
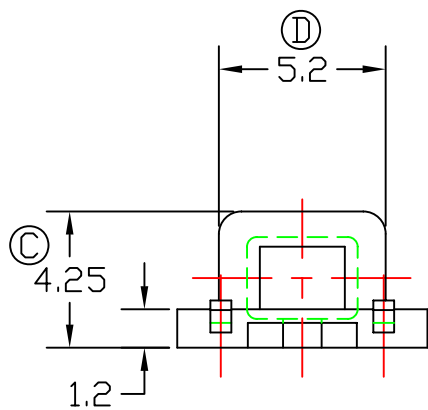
X. 0.15

UL 94V-0

m m

X.X 0.1





台速工業股份有限公司

BOBBIN MASTER INDUSTRIAL CO;LTD.

TEL:(886 2) 2694-3199

FAX:(886 2) 2694-0947

REV 00

FILE NAME

BM-049

MODEL NAME

EE 8

MATERIAL

E4008

PIN MATERIAL

NICKEL BRONZE PHOSPHOR BRONZE

TOLERANCE

UL REC.

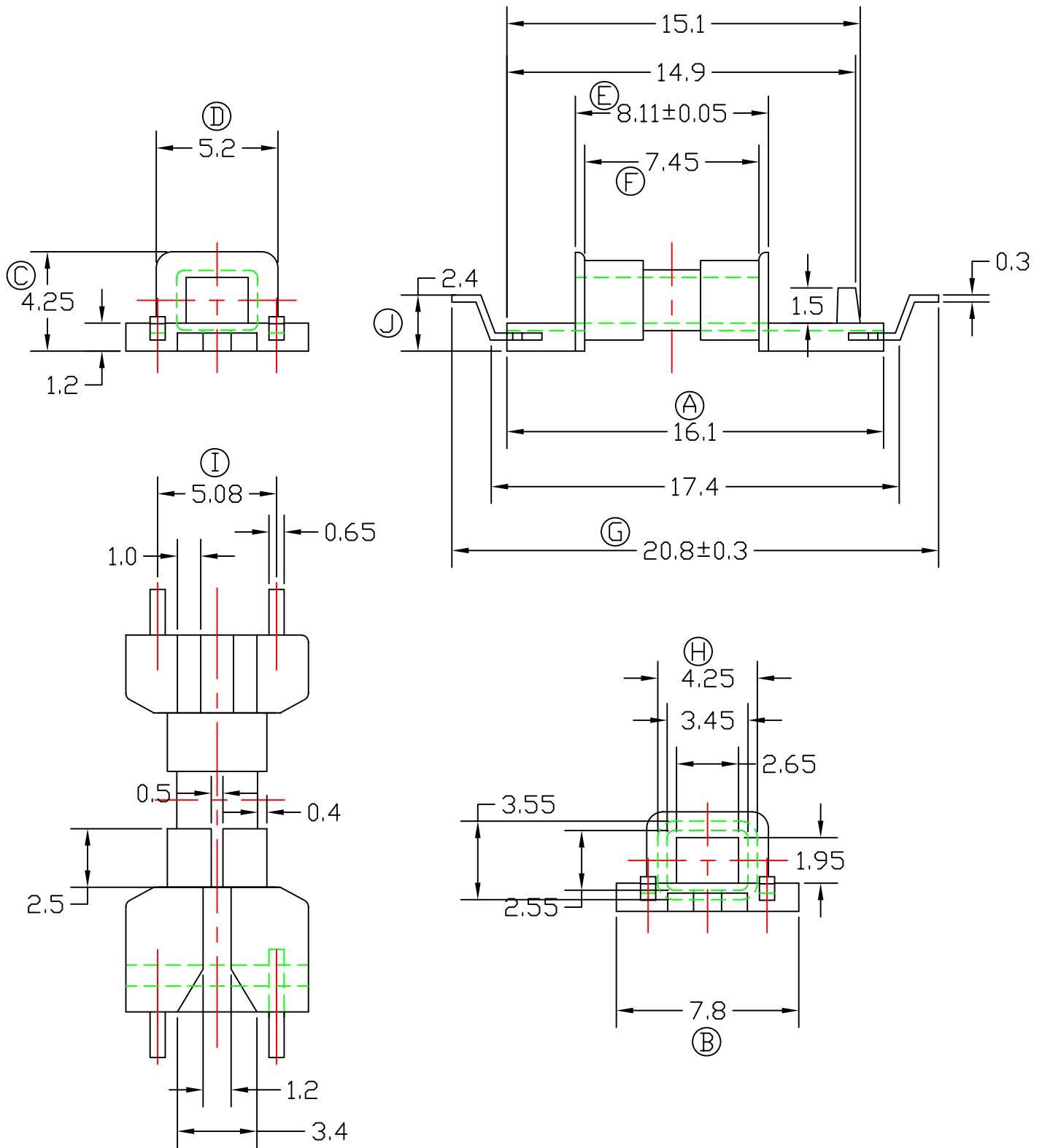
UNIT

X. 0.15

UL 94V-0

m m

X.X 0.1



台速工業股份有限公司

BOBBIN MASTER INDUSTRIAL CO;LTD.

TEL:(886 2) 2694-3199

FAX:(886 2) 2694-0947

REV 00

FILE NAME

BM-050

MODEL NAME

EE 8

MATERIAL

E4008

PIN MATERIAL

NICKEL BRONZE PHOSPHOR BRONZE

TOLERANCE

UL REC.

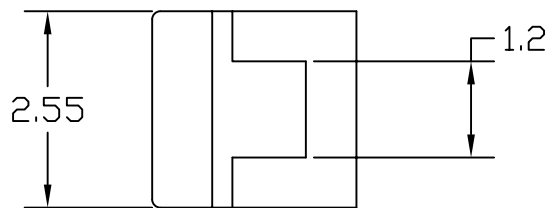
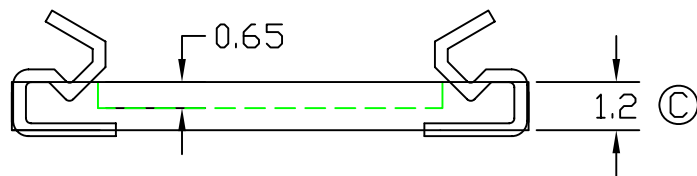
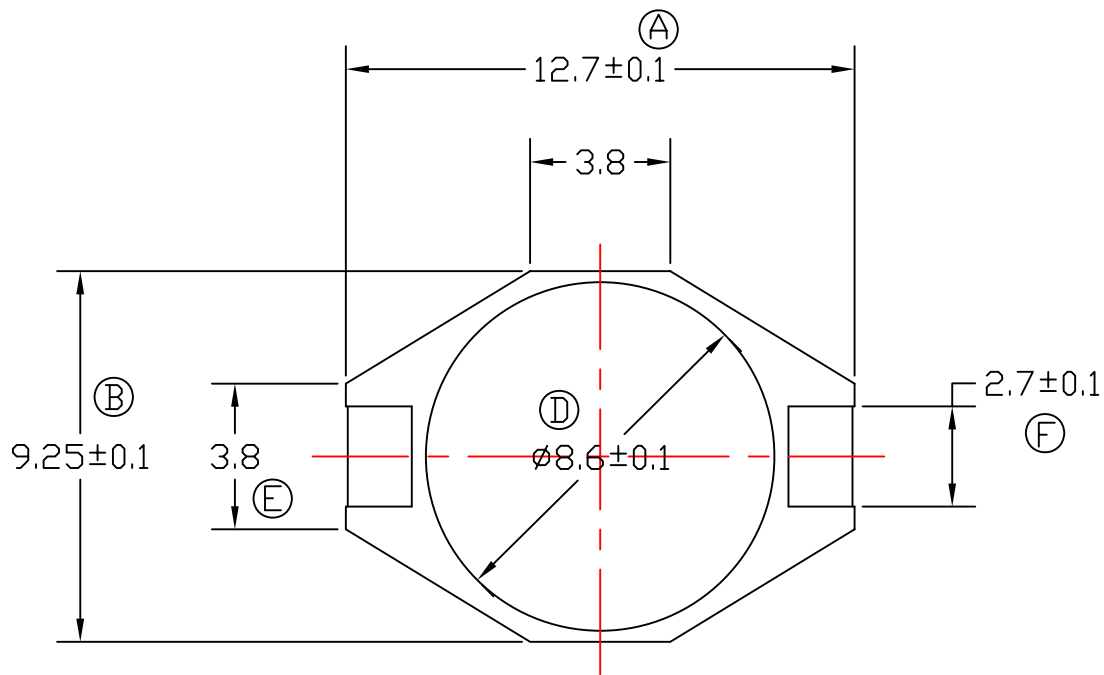
UNIT

X. 0.15

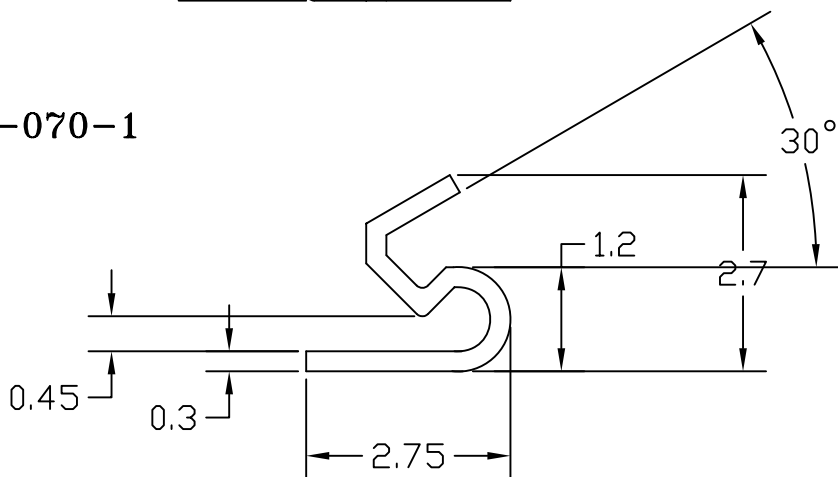
UL 94V-0

m m

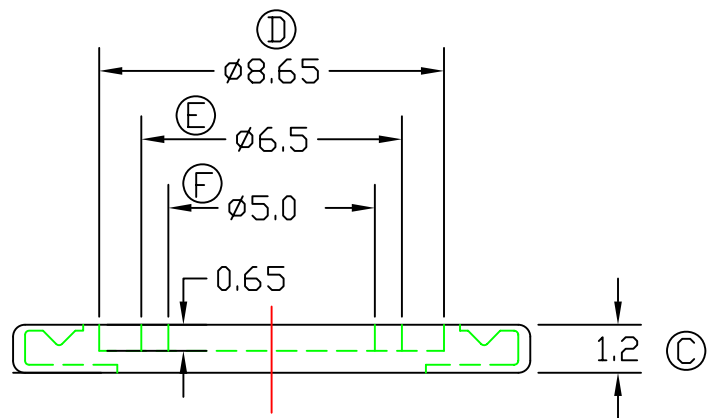
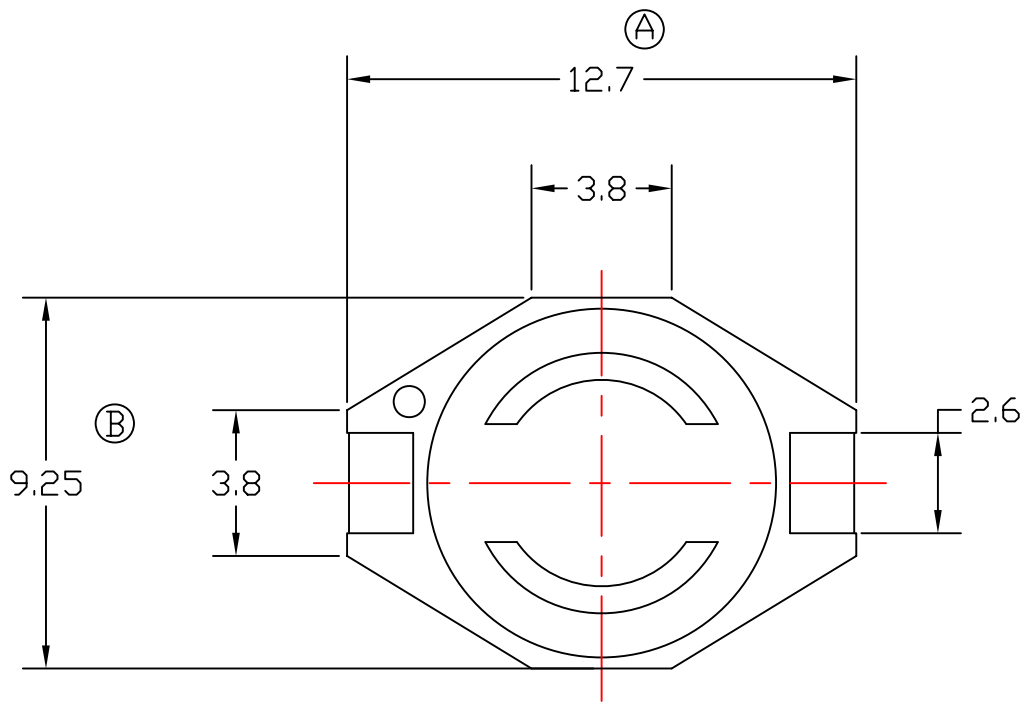
X.X 0.1



BM-070-1



台速工業股份有限公司		FILE NAME	BM-051	
BOBBIN MASTER INDUSTRIAL CO;LTD.		MODEL NAME	D.R CORE BASE	
TEL:(886 2) 2694-3199		MATERIAL	LCP E4008	
FAX:(886 2) 2694-0947		PIN MATERIAL	NICKEL BRONZE PHOSPHOR BRONZE	
REV		TOLERANCE	UL REC.	UNIT
00		X. 0.15 X.X 0.1	UL 94V-0	m m



台速工業股份有限公司

BOBBIN MASTER INDUSTRIAL CO;LTD.

TEL:(886 2) 2694-3199

FAX:(886 2) 2694-0947

REV 00

FILE NAME

BM-051-1

MODEL NAME

D.R CORE BASE

MATERIAL

LCP E4008

PIN MATERIAL

NICKEL BRONZE PHOSPHOR BRONZE

TOLERANCE

UL REC.

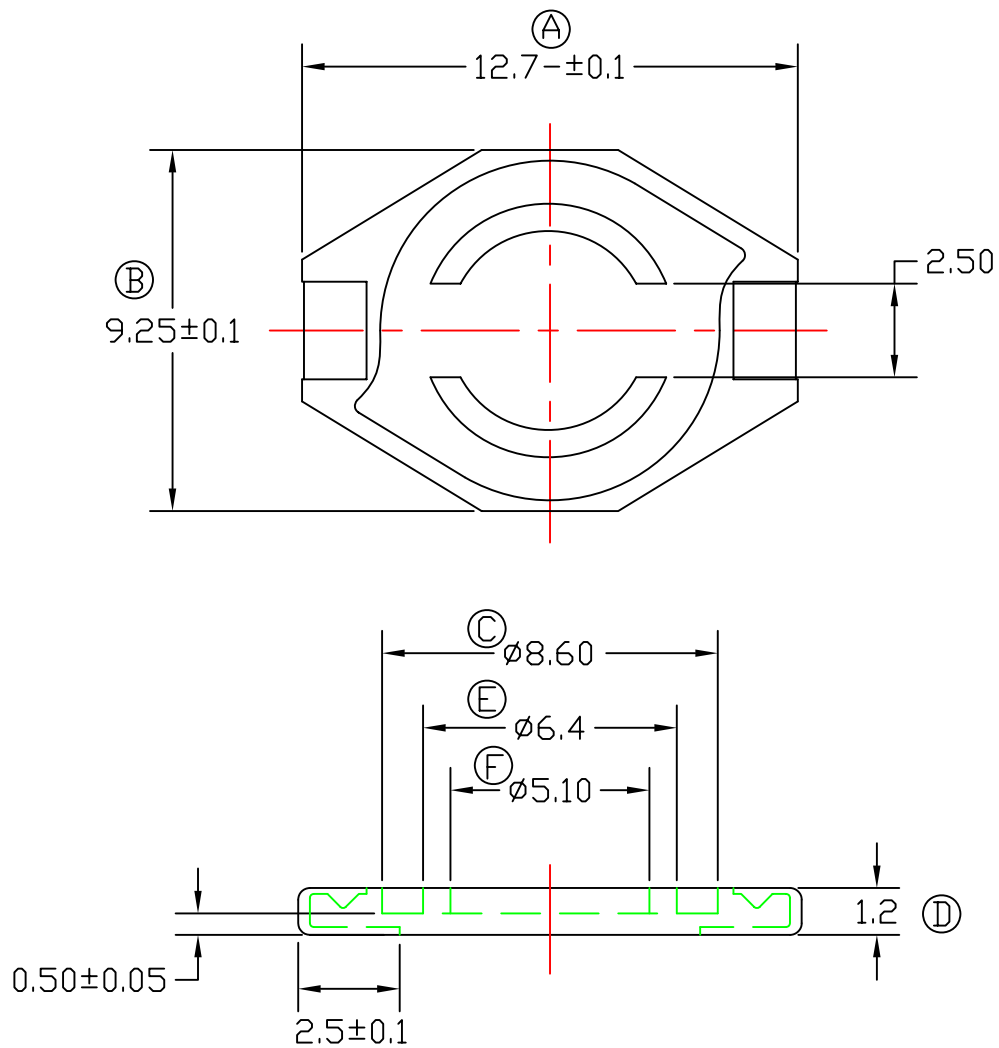
UNIT

X. 0.15

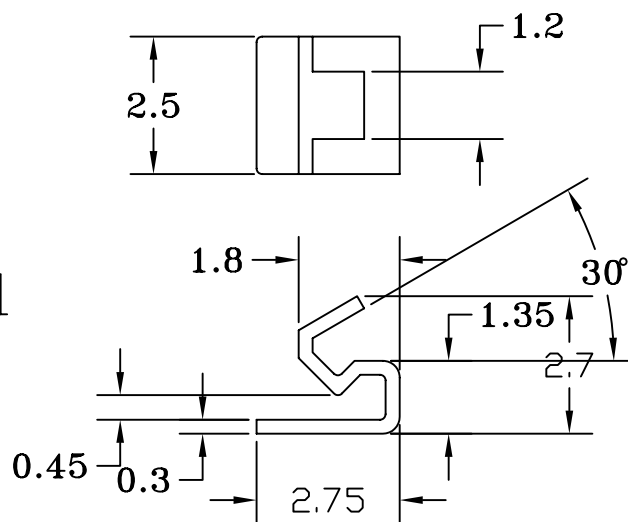
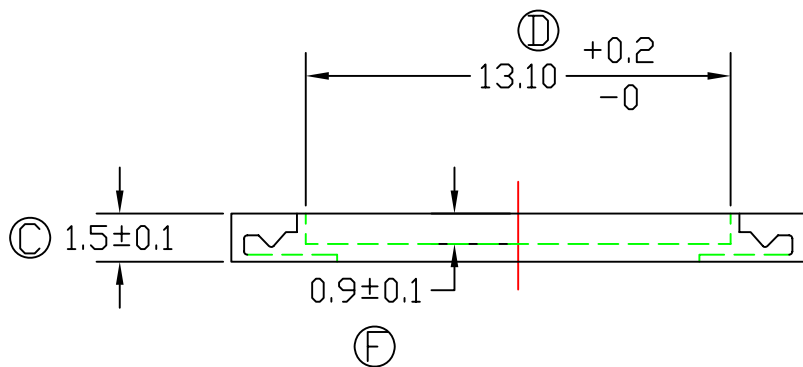
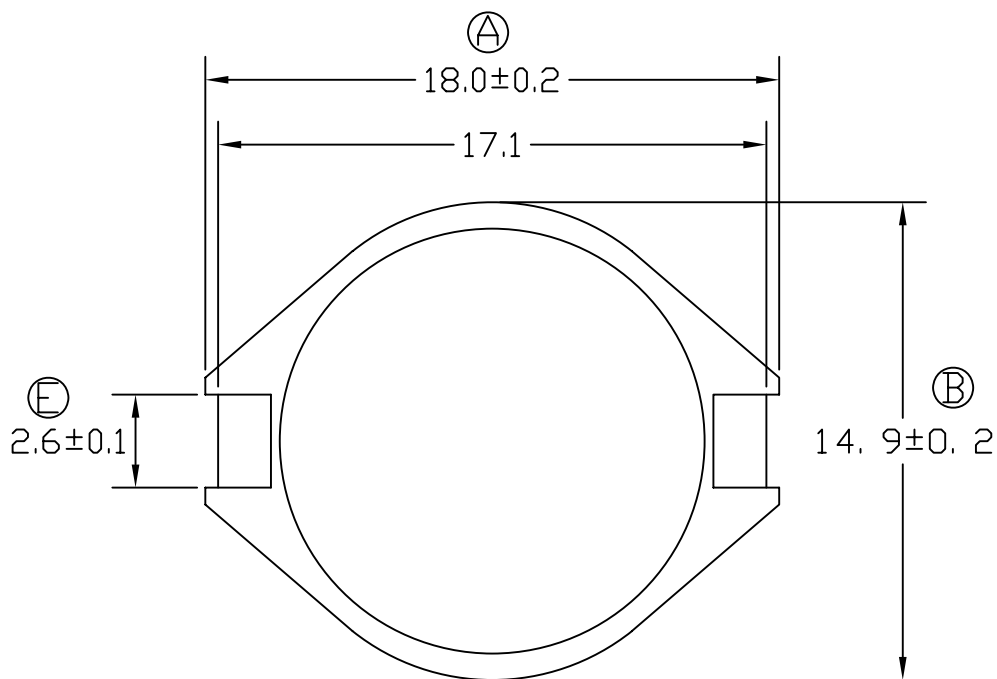
UL 94V-0

m m

X.X 0.1

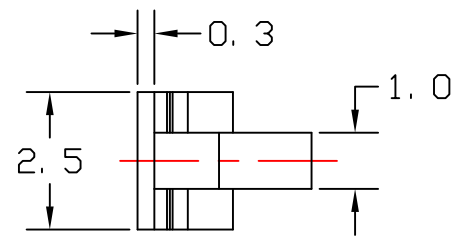
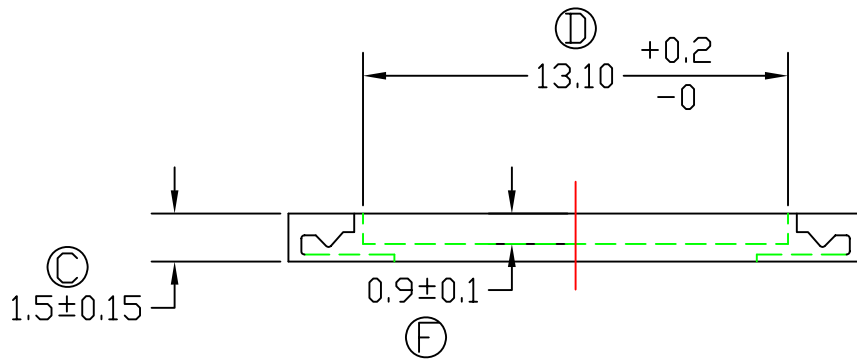
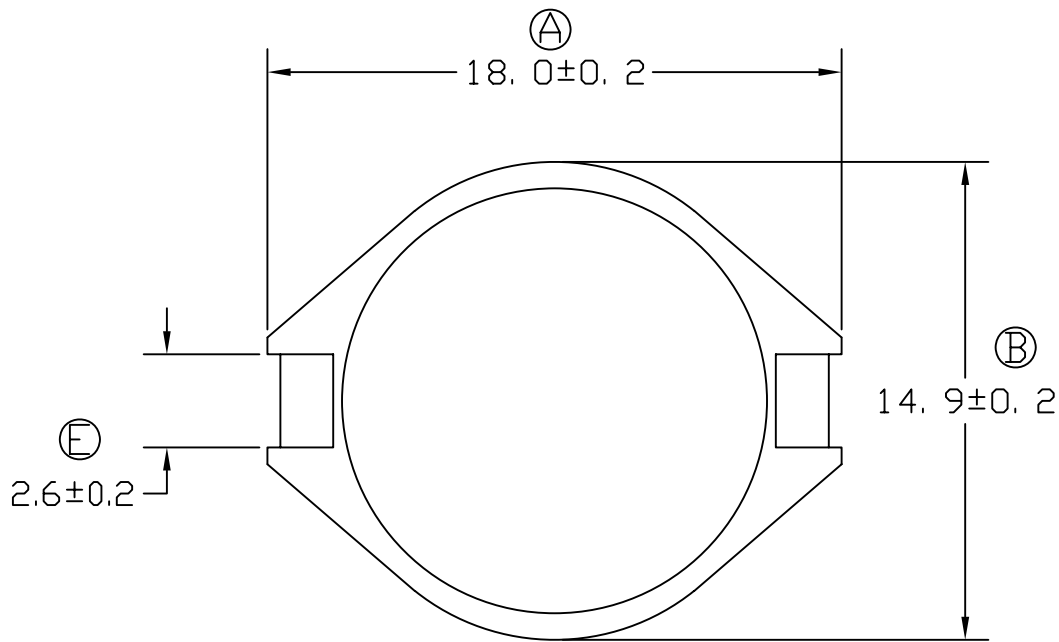


台速工業股份有限公司			FILE NAME	BM-051-2	
BOBBIN MASTER INDUSTRIAL CO;LTD.			MODEL NAME	D.R CORE BASE	
TEL:(886 2) 2694-3199 . 2694-0926			MATERIAL	SUMITOMO E4008	
FAX:(886 2) 2694-0947			PIN MATERIAL	NICKEL BRONZE PHOSPHOR BRONZE	
REV	00	20071128	TOLERANCE	UL REC.	UNIT
			±0.15	UL 94V-0	m m

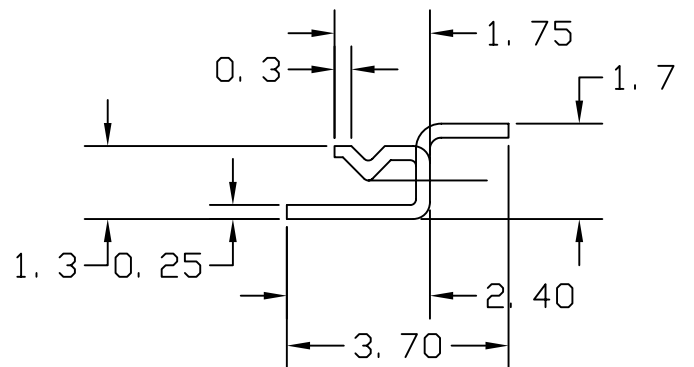


BM-070-1

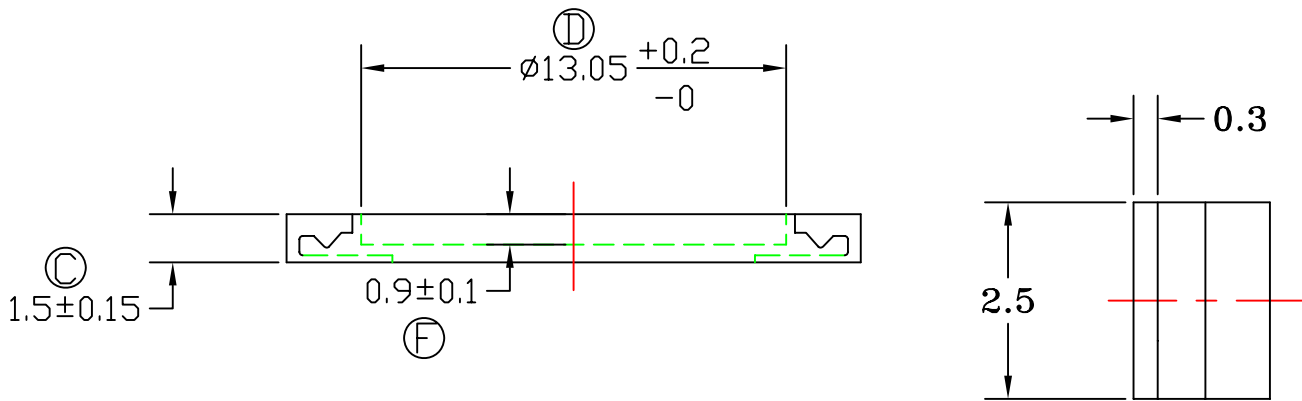
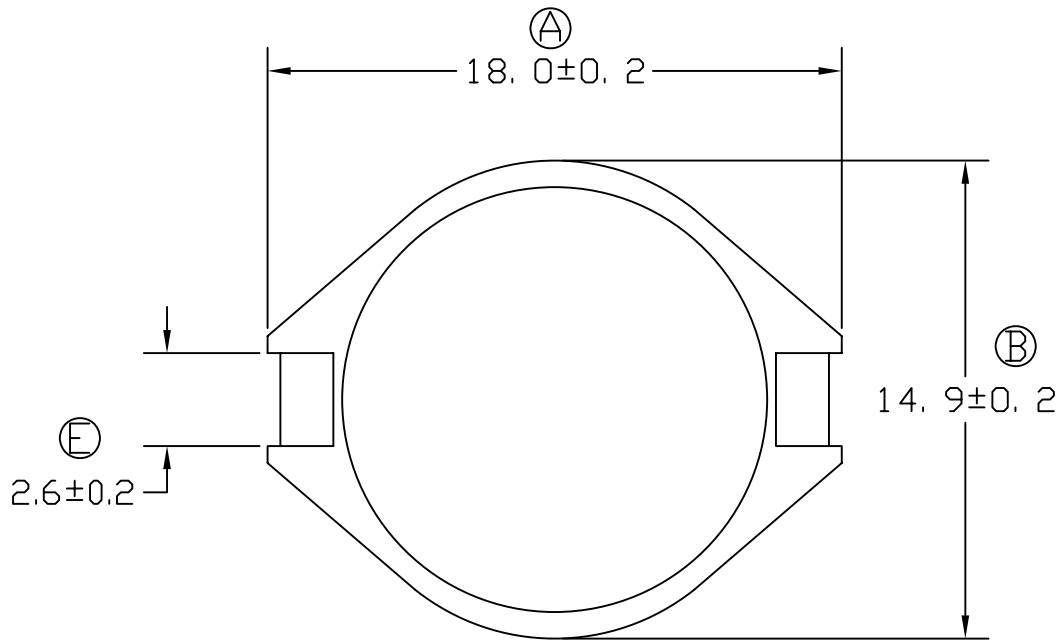
台速工業股份有限公司	FILE NAME	BM-052	
BOBBIN MASTER INDUSTRIAL CO;LTD.	MODEL NAME	DR CORE BASE	
TEL: (886 2) 26943199	MATERIAL	LCP E4008	
FAX: (886 2) 26940947	PIN MATERIAL	NICKEL BRONZE	
REV 00	TOLERANCE	UL REC.	UNIT
	X. 0.15	UL 94V-0	m m
	X.X 0.1		



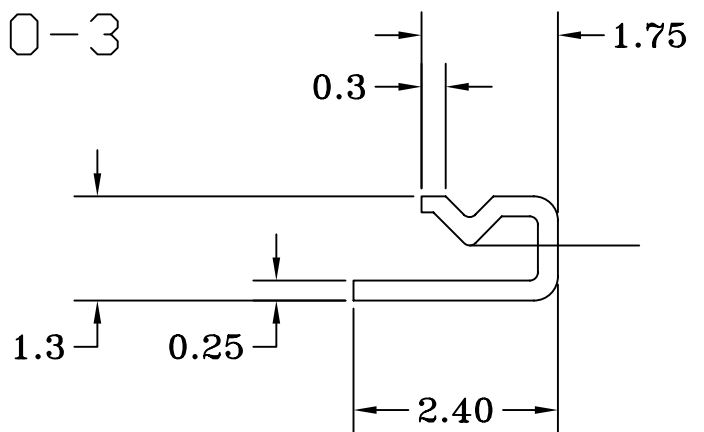
BM-070-2



台速工業股份有限公司	FILE NAME	BM-052-1
BOBBIN MASTER INDUSTRIAL CO;LTD.	MODEL NAME	DR CORE BASE
TEL: (886 2) 26943199	MATERIAL	LCP E4008
FAX: (886 2) 26940947	PIN MATERIAL	NICKEL BRONZE
REV 00	TOLERANCE	UL REC.
	X. 0.15 X.X 0.1	UL 94V-0

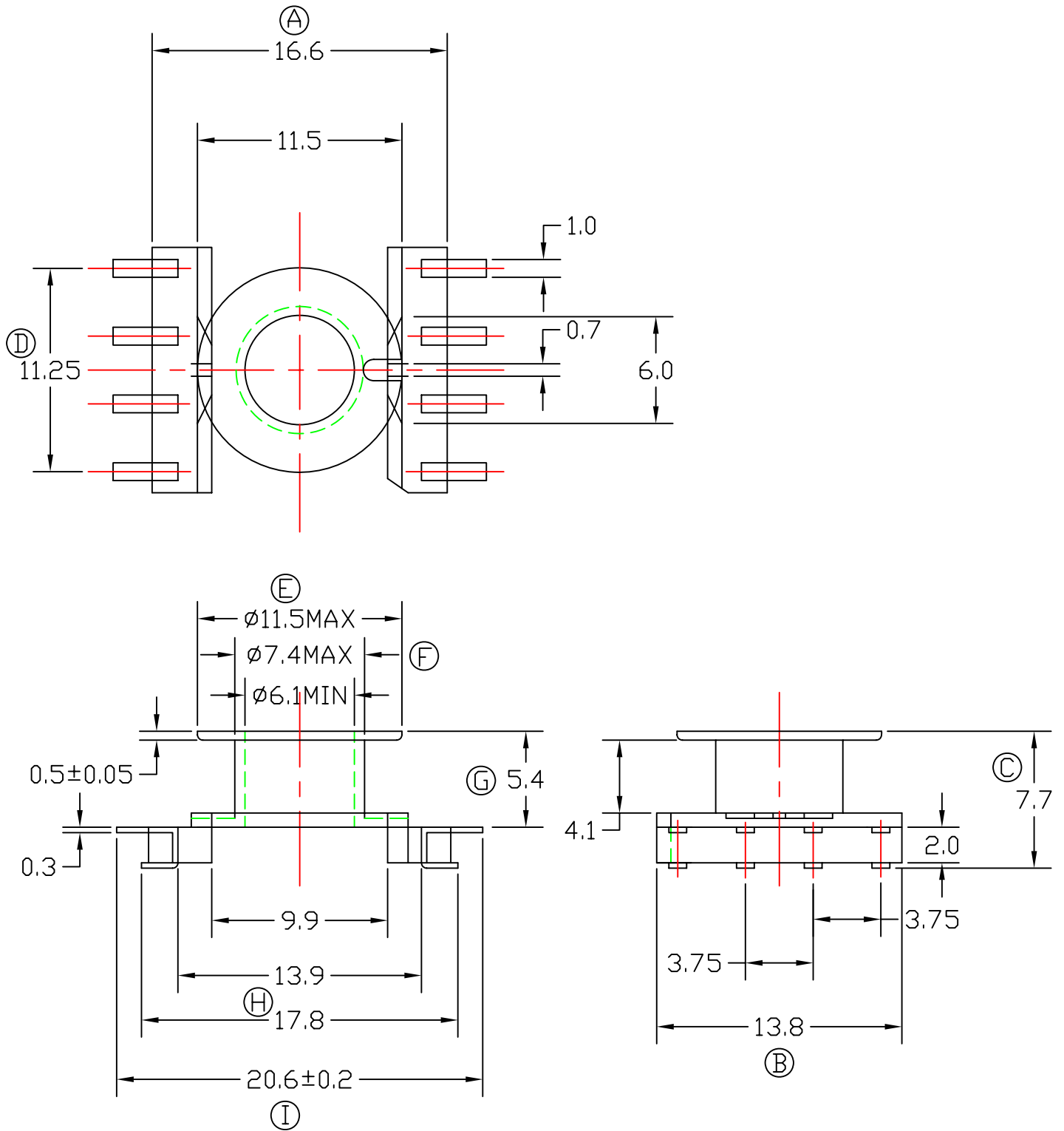


BM-070-3



台速工業股份有限公司	FILE NAME	BM-052-2
BOBBIN MASTER INDUSTRIAL CO;LTD.	MODEL NAME	DR CORE BASE
TEL: (886 2) 26943199	MATERIAL	LCP E4008
FAX: (886 2) 26940947	PIN MATERIAL	NICKEL BRONZE
REV 00	TOLERANCE	UL REC.
	X. 0.15 X.X 0.1	UL 94V-0





台速工業股份有限公司

BOBBIN MASTER INDUSTRIAL CO;LTD.

TEL:(886 2) 2694-3199

FAX:(886 2) 2694-0947

REV 00

FILE NAME

BM-056

MODEL NAME

P-1408

MATERIAL

L.C.P. E4008

PIN MATERIAL

NICKEL BRONZE PHOSPHOR BRONZE

TOLERANCE

UL REC.

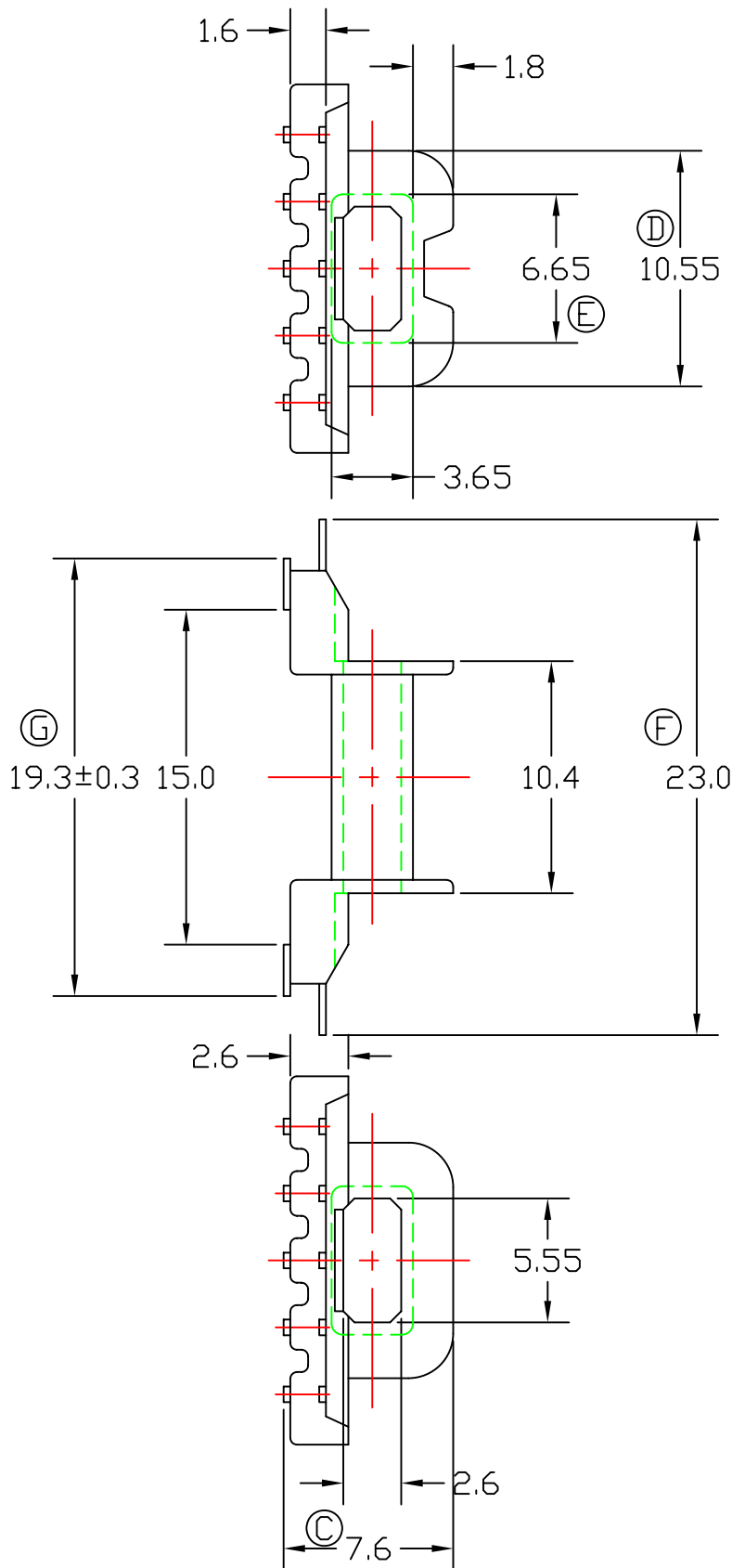
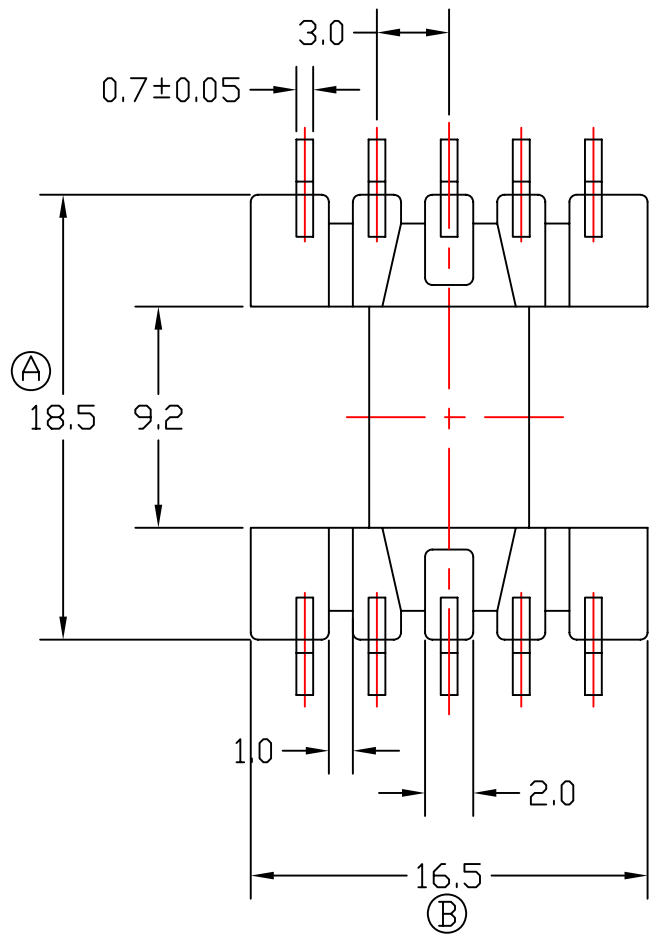
UNIT

X. 0.15

UL 94V-0

m m

X.X 0.1



台速工業股份有限公司

BOBBIN MASTER INDUSTRIAL CO;LTD.

TEL:(886 2) 2694-3199

FAX:(886 2) 2694-0947

REV 00

FILE NAME

BM-057

MODEL NAME

EFD-15

MATERIAL

L.C.P. E4008

PIN MATERIAL

NICKEL BRONZE PHOSPHOR BRONZE

TOLERANCE

UL REC.

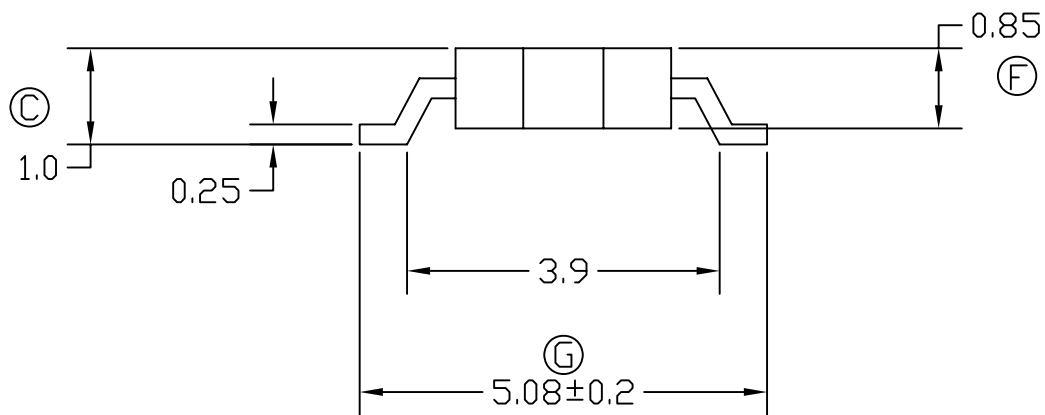
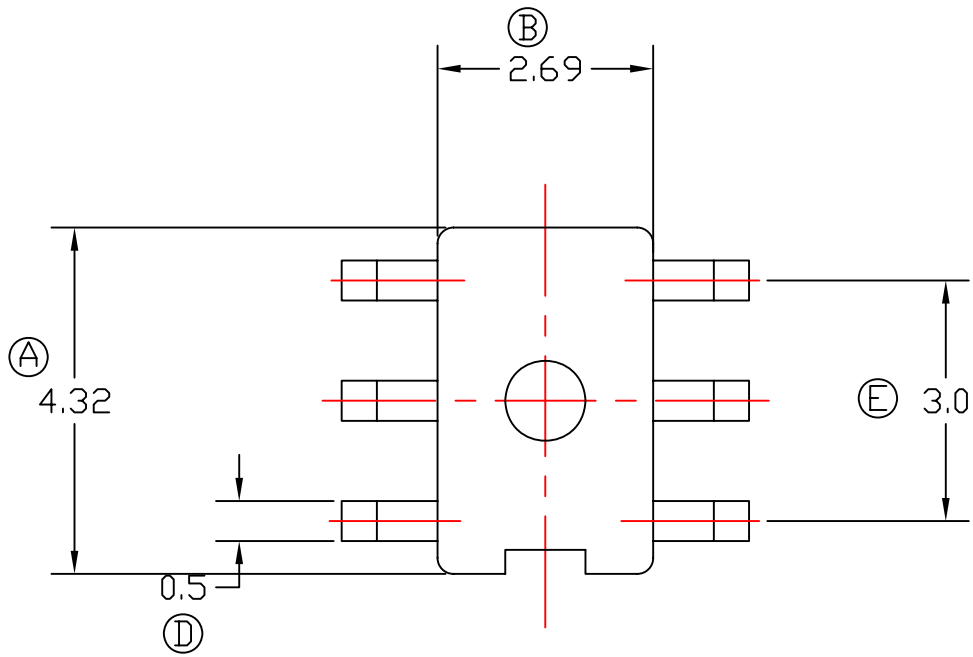
UNIT

X. 0.15

UL 94V-0

m m

X.X 0.1



台速工業股份有限公司

BOBBIN MASTER INDUSTRIAL CO;LTD.

TEL:(886 2) 2694-3199

FAX:(886 2) 2694-0947

REV 00

FILE NAME

BM-058

MODEL NAME

6 PIN BASE

MATERIAL

PM9630

PIN MATERIAL

NICKEL BRONZE PHOSPHOR BRONZE

TOLERANCE

UL REC.

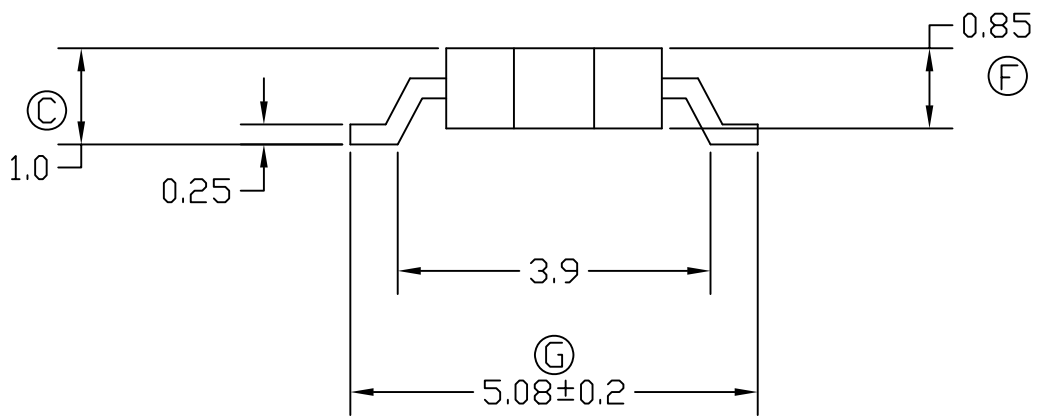
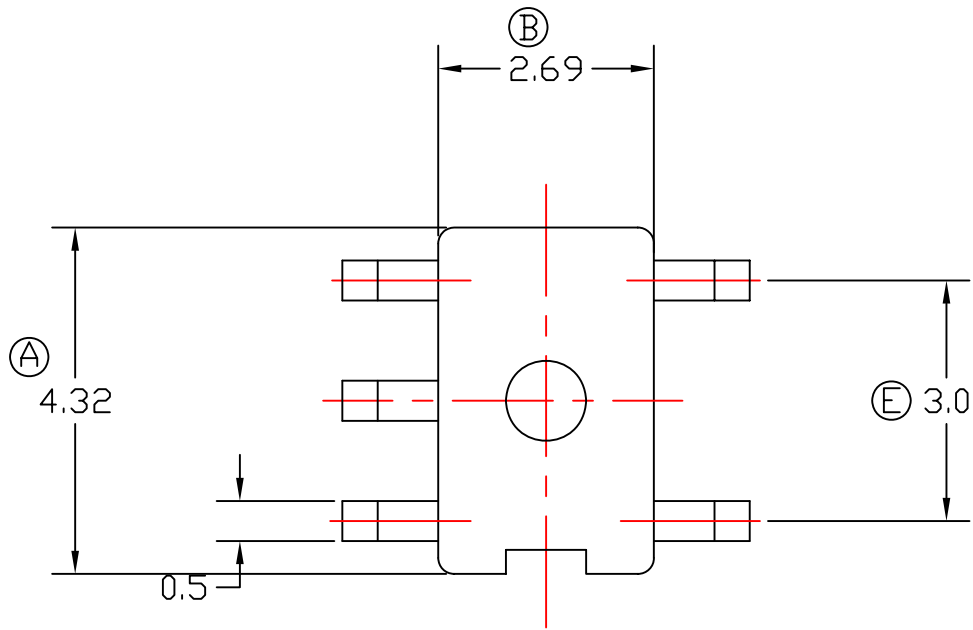
UNIT

X. 0.15

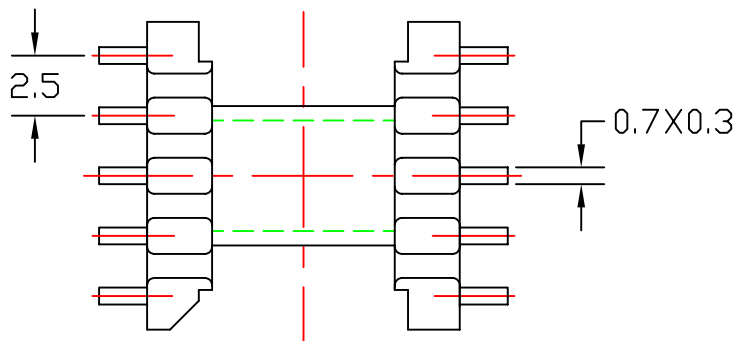
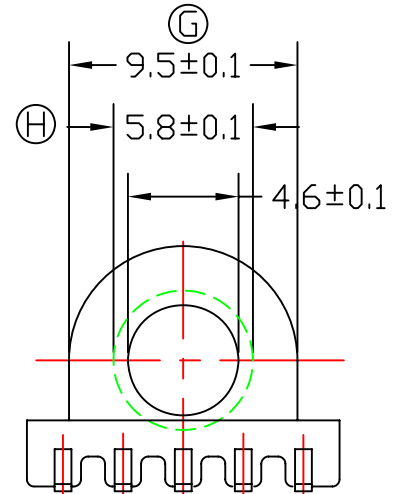
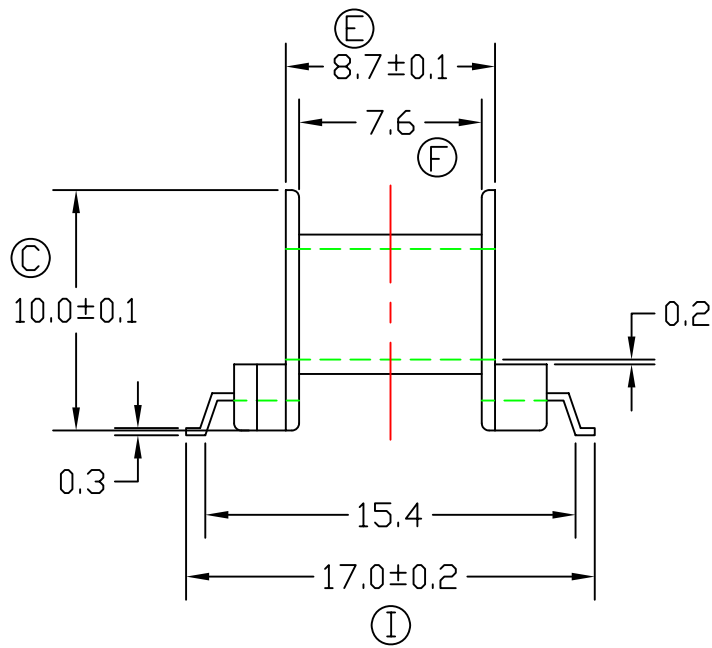
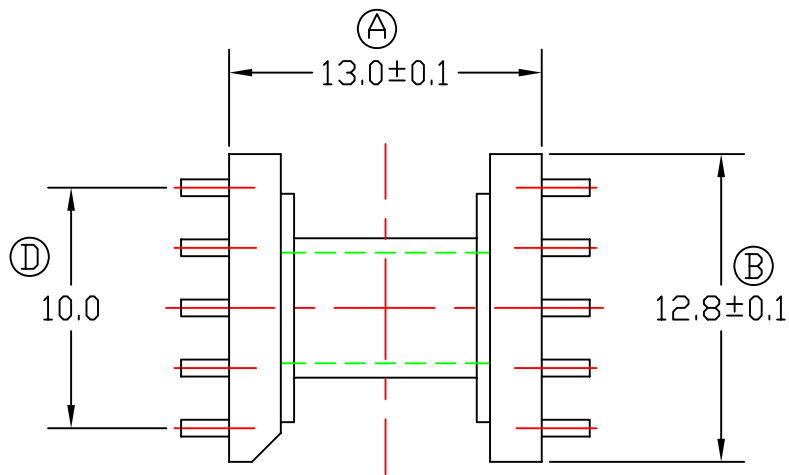
UL 94V-0

m m

X.X 0.1



台速工業股份有限公司		FILE NAME	BM-058-1	
BOBBIN MASTER INDUSTRIAL CO;LTD.		MODEL NAME	5 PIN BASE	
TEL:(886 2) 2694-3199		MATERIAL	PM9630	
FAX:(886 2) 2694-0947		PIN MATERIAL	NICKEL BRONZE PHOSPHOR BRONZE	
REV		TOLERANCE	UL REC.	UNIT
00		X. 0.15 X.X 0.1	UL 94V-0	m m



台速工業股份有限公司

BOBBIN MASTER INDUSTRIAL CO;LTD.

TEL:(886 2) 2694-3199

FAX:(886 2) 2694-0947

REV 00

FILE NAME

BM-059

MODEL NAME

EP-13

MATERIAL

L.C.P

PIN MATERIAL

NICKEL BRONZE PHOSPHOR BRONZE

TOLERANCE

UL REC.

UNIT

X. 0.15

X.X 0.1

UL 94V-0

m m