

台速工業股份有限公司

BOBBIN MASTER INDUSTRIAL CO;LTD.

TEL:(886 2) 2694-3199

FAX:(886 2) 2694-0947

REV 00

FILE NAME

BM-060

MODEL NAME

EP10 SMD BOBBIN

MATERIAL

SUMITOMO E4008

PIN MATERIAL

NICKEL BRONZE PHOSPHOR BRONZE

TOLERANCE

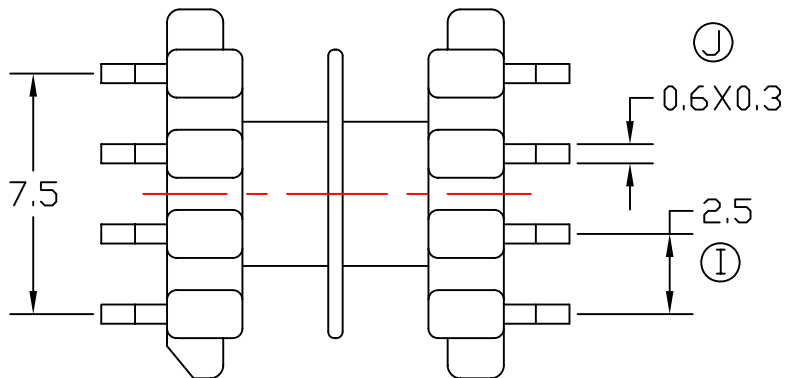
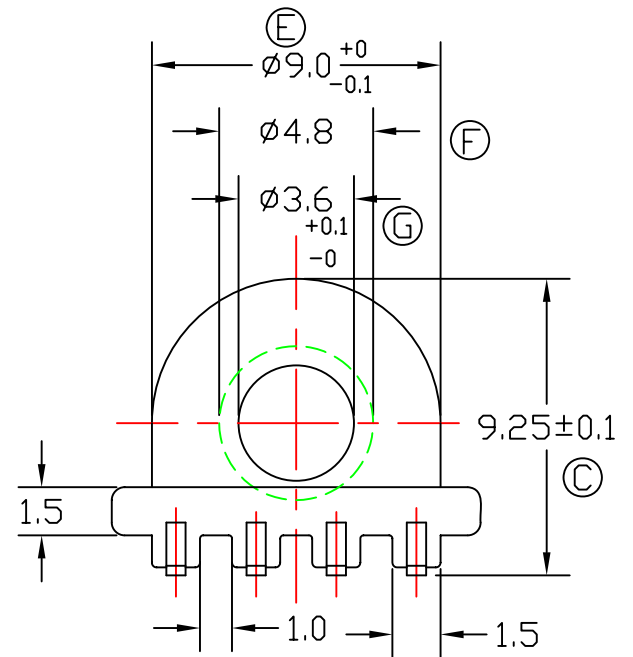
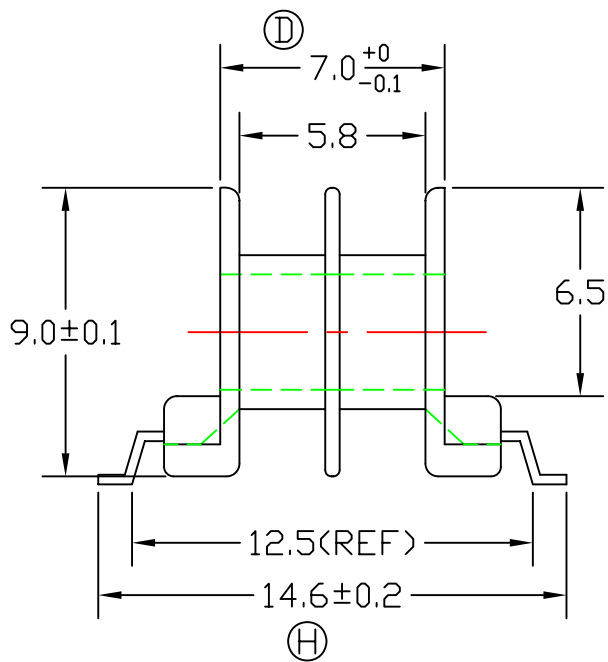
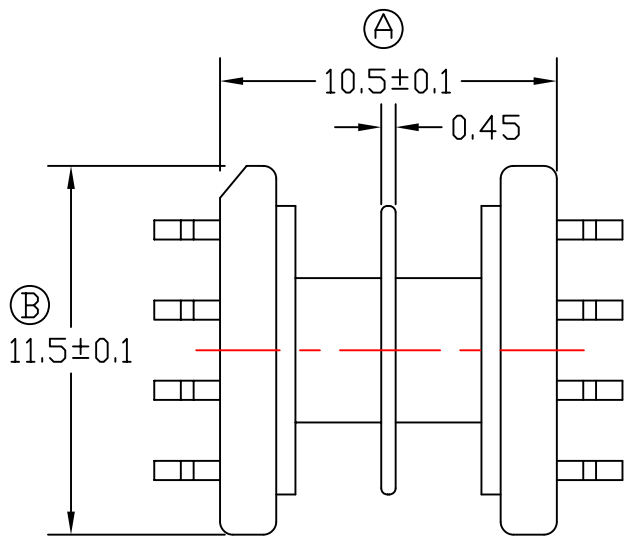
UL REC.

UNIT

± 0.15

UL 94V-0

m m



台速工業股份有限公司

BOBBIN MASTER INDUSTRIAL CO;LTD.

TEL:(886 2) 2694-3199

FAX:(886 2) 2694-0947

REV 00

FILE NAME

BM-060-1

MODEL NAME

EP10 SMD BOBBIN

MATERIAL

SUMITOMO E4008

PIN MATERIAL

NICKEL BRONZE PHOSPHOR BRONZE

TOLERANCE

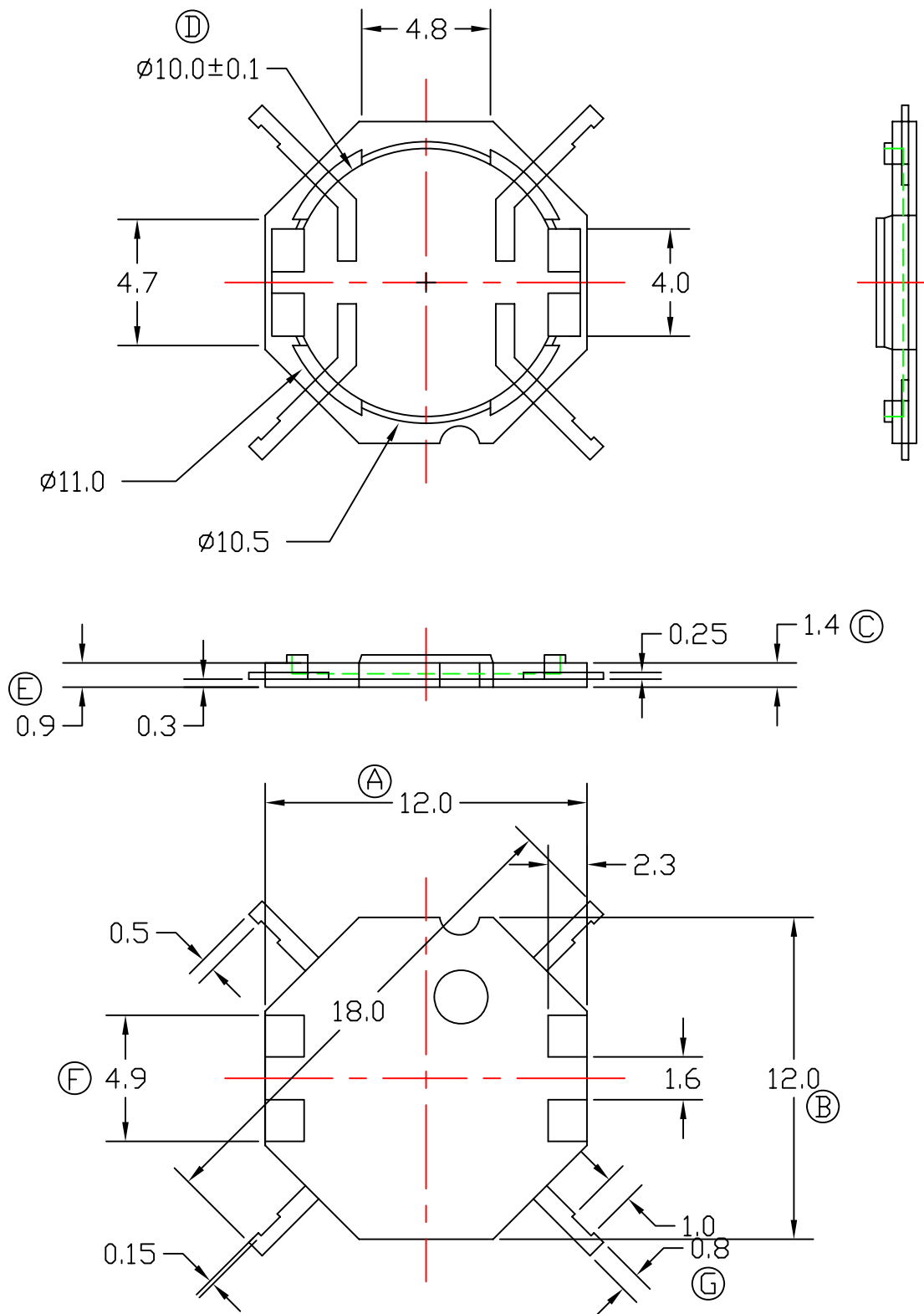
UL REC.

UNIT

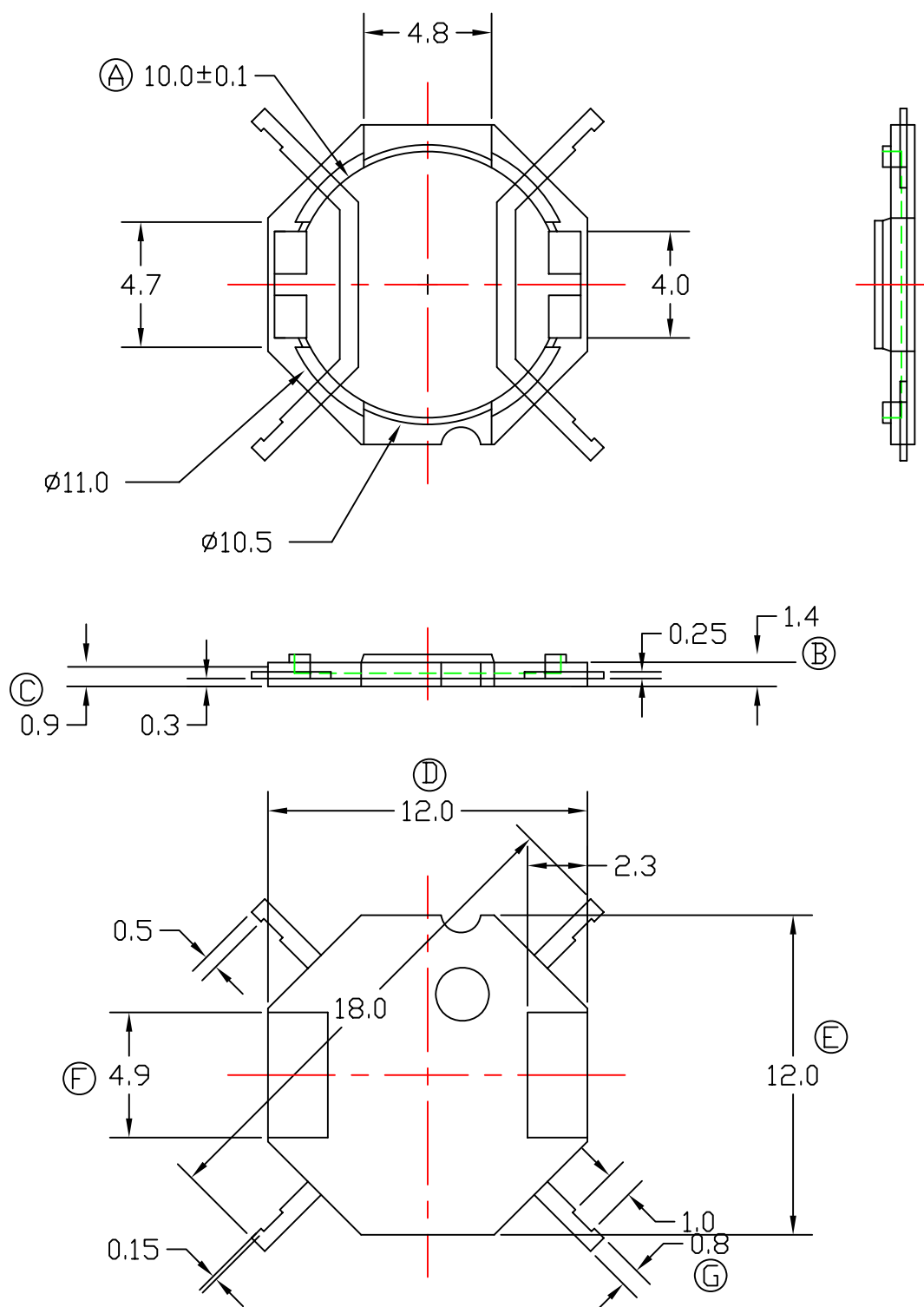
±0.15

UL 94V-0

m m

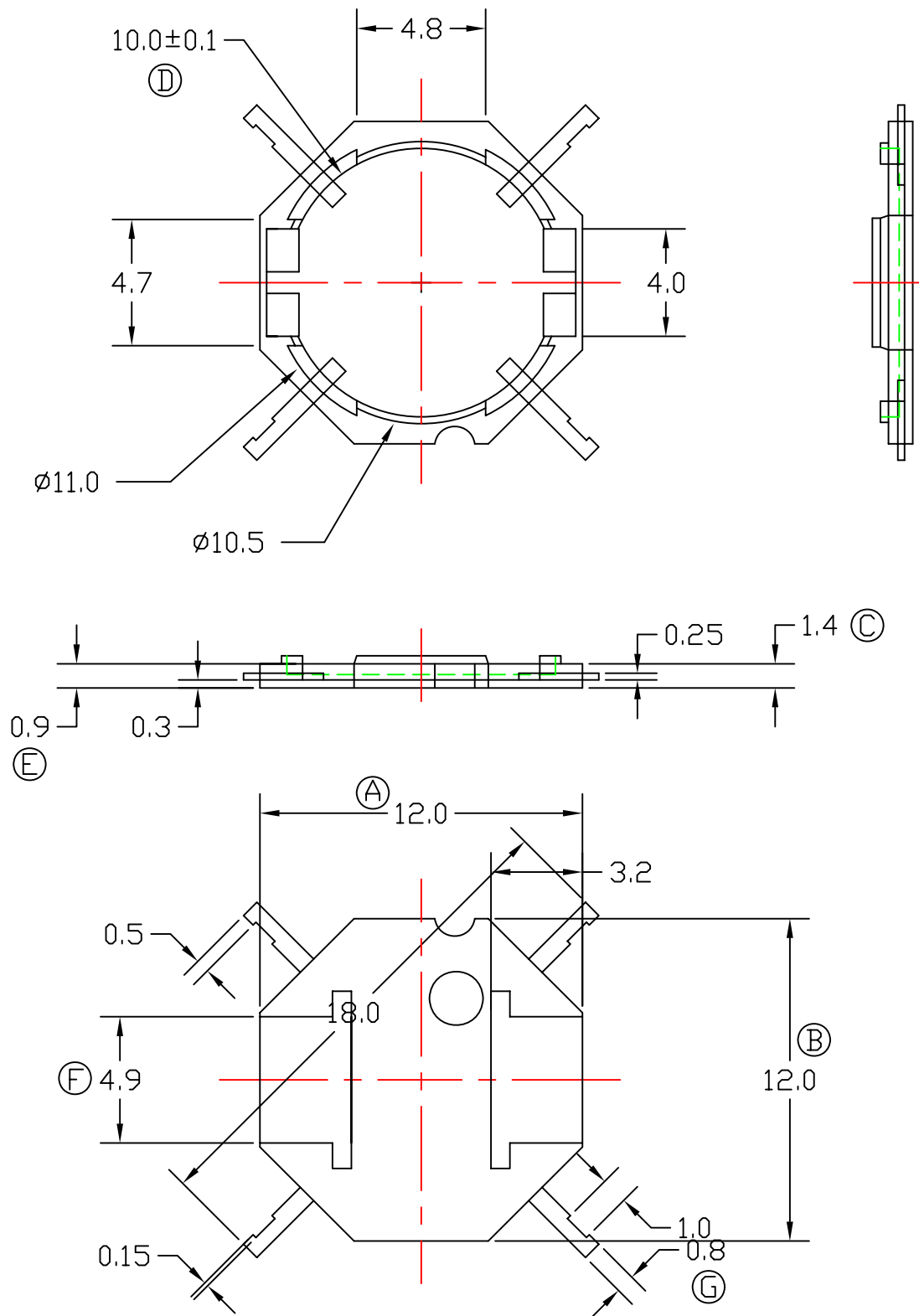


台速工業股份有限公司		FILE NAME	BM-061	
BOBBIN MASTER INDUSTRIAL CO;LTD.		MODEL NAME	FOR 124 125 127	
TEL:(886 2) 2694-3199		MATERIAL	E4008	
FAX:(886 2) 2694-0947		PIN MATERIAL	NICKEL BRONZE PHOSPHOR BRONZE	
REV	00	TOLERANCE	UL REC.	UNIT
		X. 0.15	UL 94V-0	m m
		X.X 0.1		



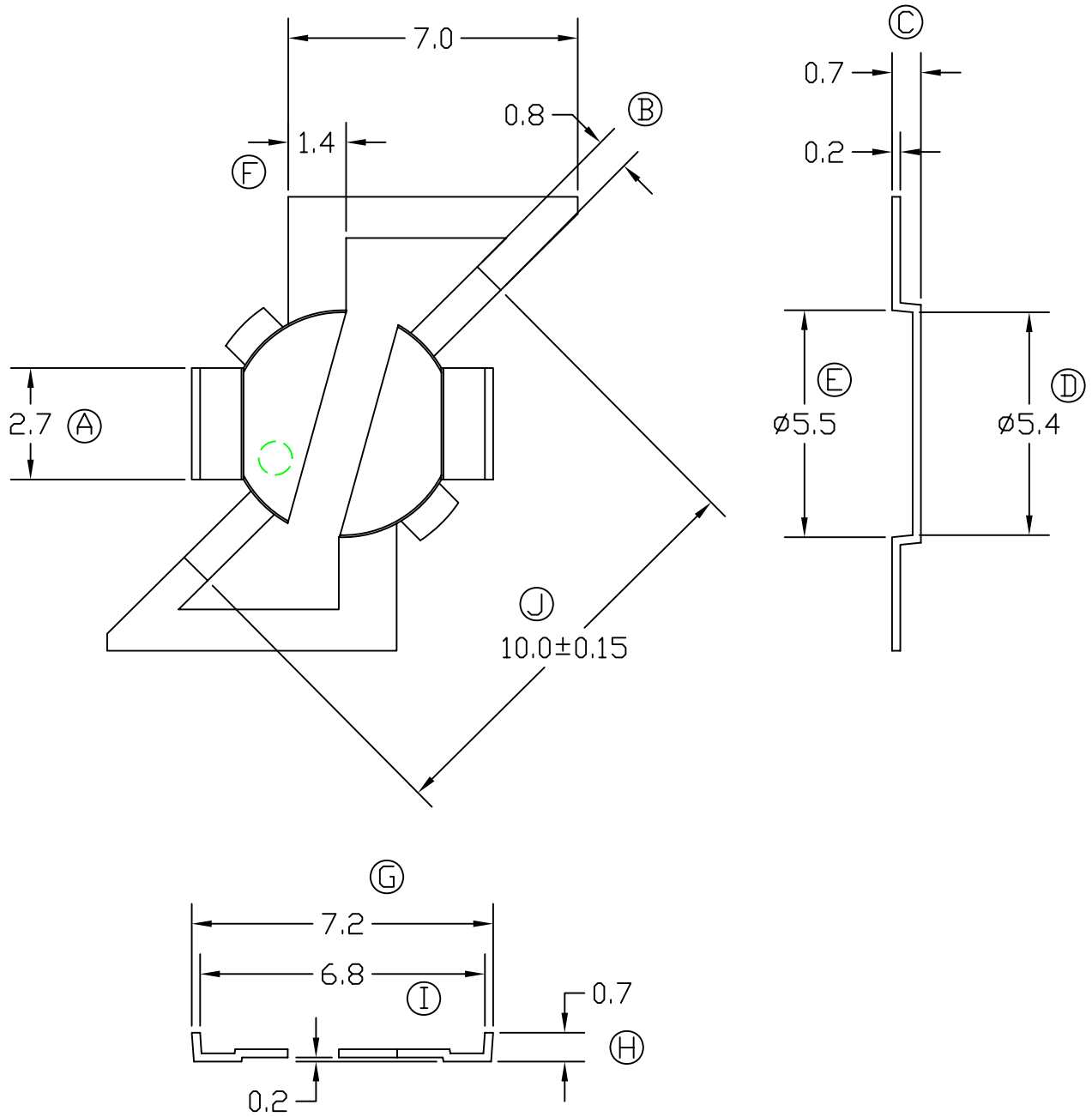
電鍍方式: 鍍底50u"亮錫120u"

台速工業股份有限公司		FILE NAME	BM-062	
BOBBIN MASTER INDUSTRIAL CO;LTD.		MODEL NAME		
TEL:(886 2) 2694-3199		MATERIAL	E4008	
FAX:(886 2) 2694-0947		PIN MATERIAL	NICKEL BRONZE PHOSPHOR BRONZE	
REV	00	TOLERANCE	UL REC.	UNIT
		X. 0.15	UL 94V-0	m m
		X.X 0.1		

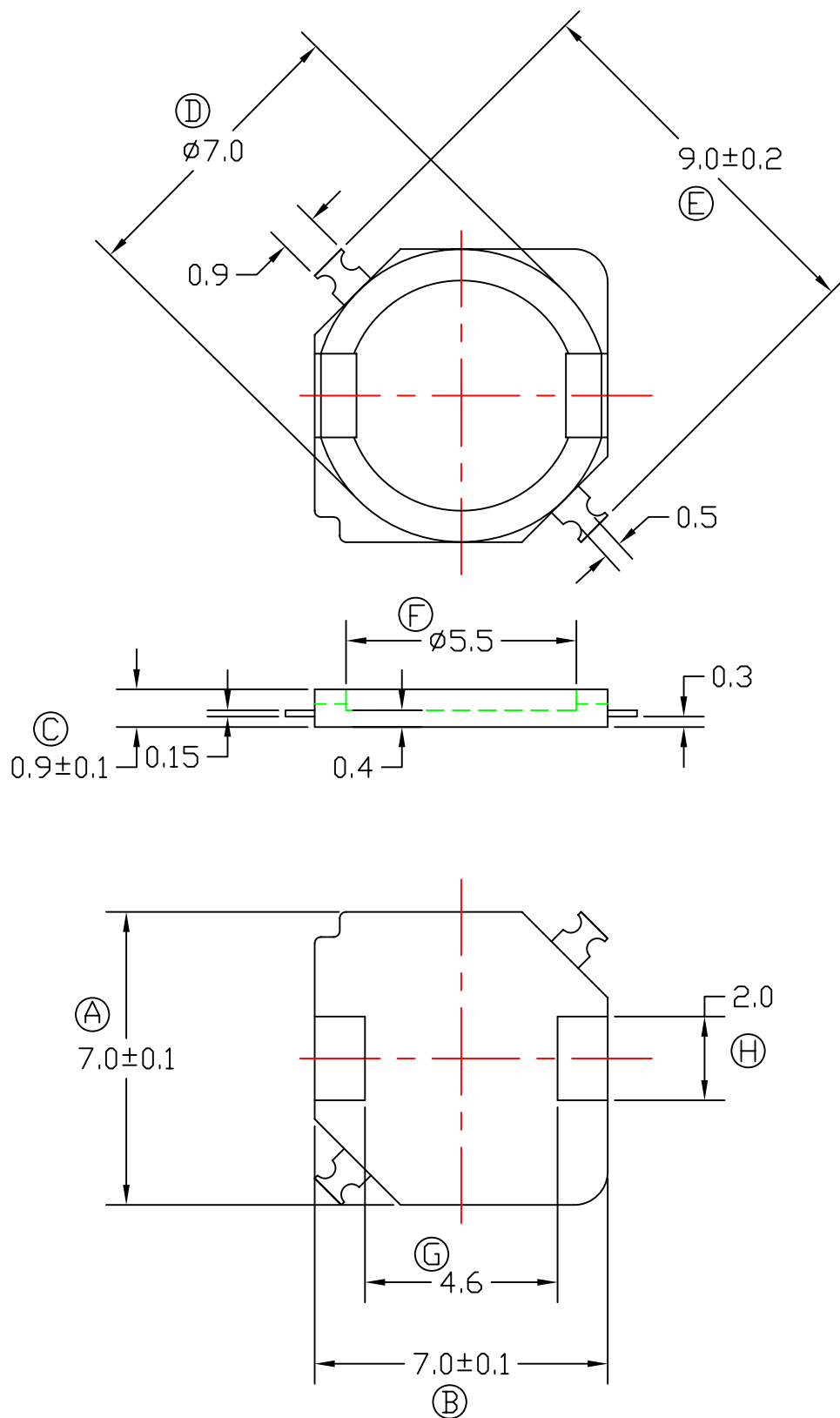


NEW

台速工業股份有限公司		FILE NAME	BM-062-1	
BOBBIN MASTER INDUSTRIAL CO;LTD.		MODEL NAME	FOR 124 125 127	
TEL:(886 2) 2694-3199		MATERIAL	E4008	
FAX:(886 2) 2694-0947		PIN MATERIAL	NICKEL BRONZE PHOSPHOR BRONZE	
REV 00		TOLERANCE	UL REC.	UNIT
		X. 0.15	UL 94V-0	m m
		X.X 0.1		



台速工業股份有限公司		FILE NAME	BM-063	
BOBBIN MASTER INDUSTRIAL CO;LTD.		MODEL NAME		
TEL:(886 2) 2694-3199		MATERIAL		
FAX:(886 2) 2694-0947		PIN MATERIAL	NICKEL BRONZE PHOSPHOR BRONZE	
REV		TOLERANCE	UL REC.	UNIT
00		X. 0.15 X.X 0.1	UL 94V-0	m m



台速工業股份有限公司

BOBBIN MASTER INDUSTRIAL CO;LTD.

TEL:(886 2) 2694-3199

FAX:(886 2) 2694-0947

REV 00

FILE NAME

BM-067

MODEL NAME

MATERIAL

L.C.P

PIN MATERIAL

NICKEL BRONZE PHOSPHOR BRONZE

TOLERANCE

UL REC.

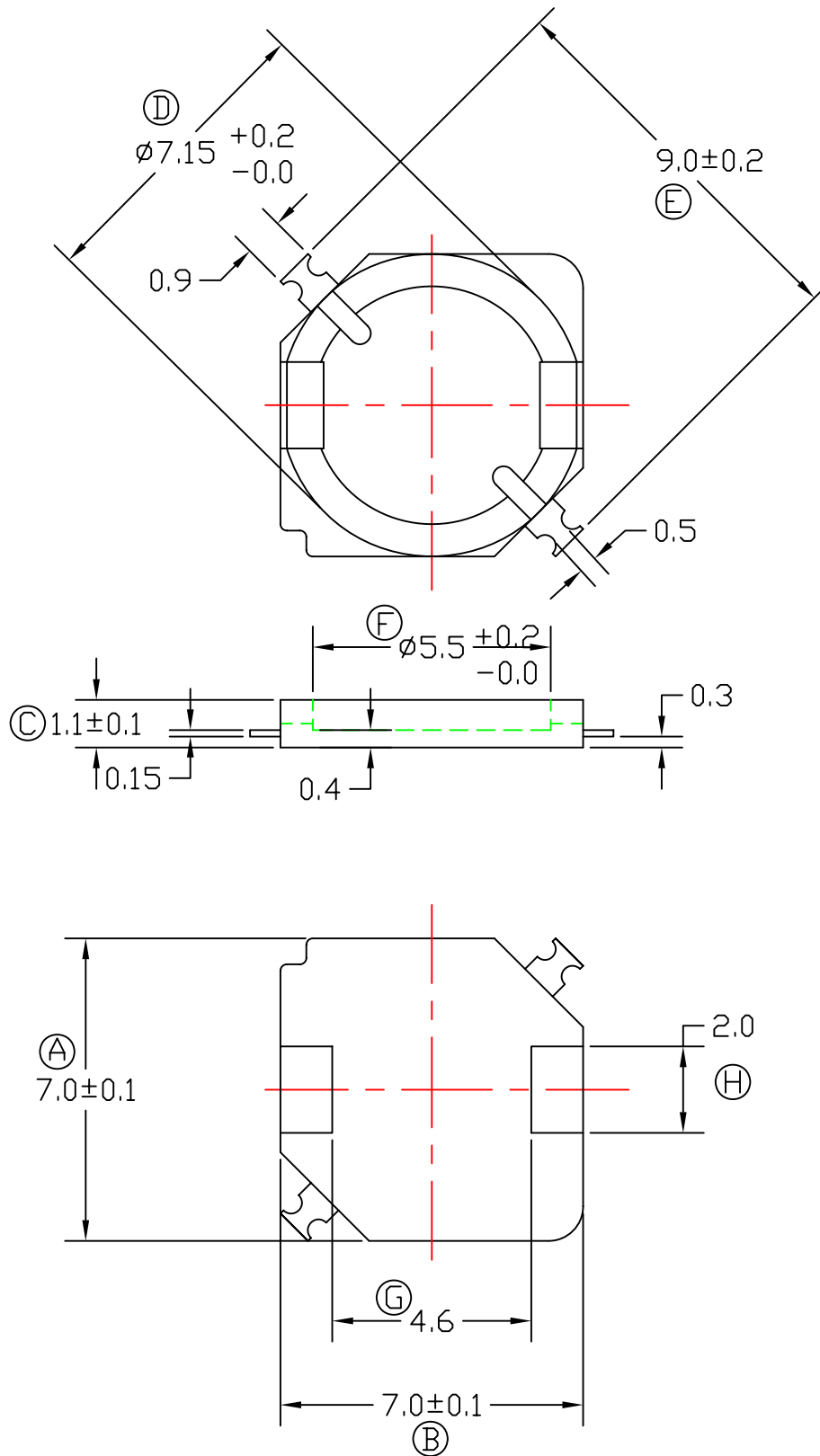
UNIT

X. 0.15

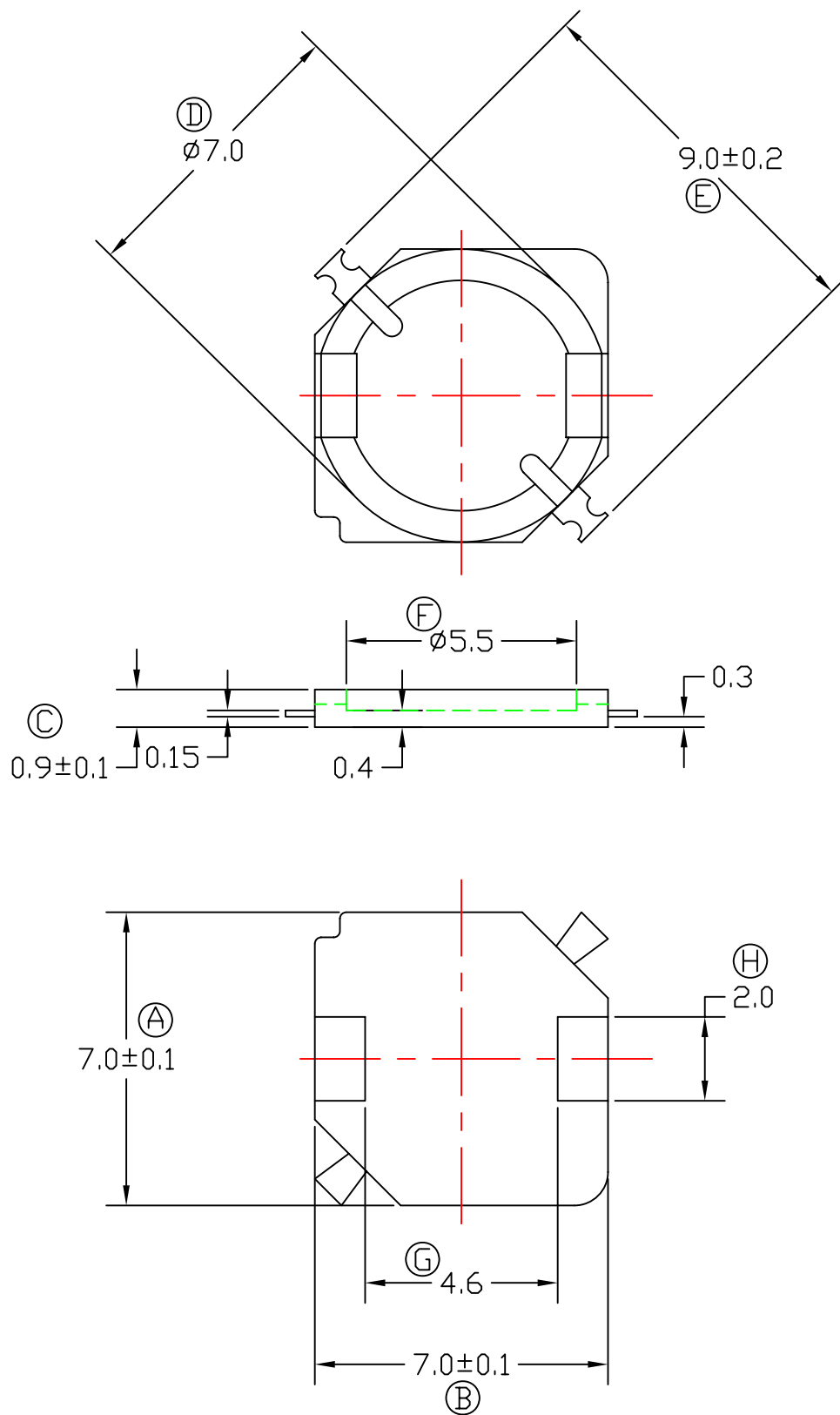
UL 94V-0

m m

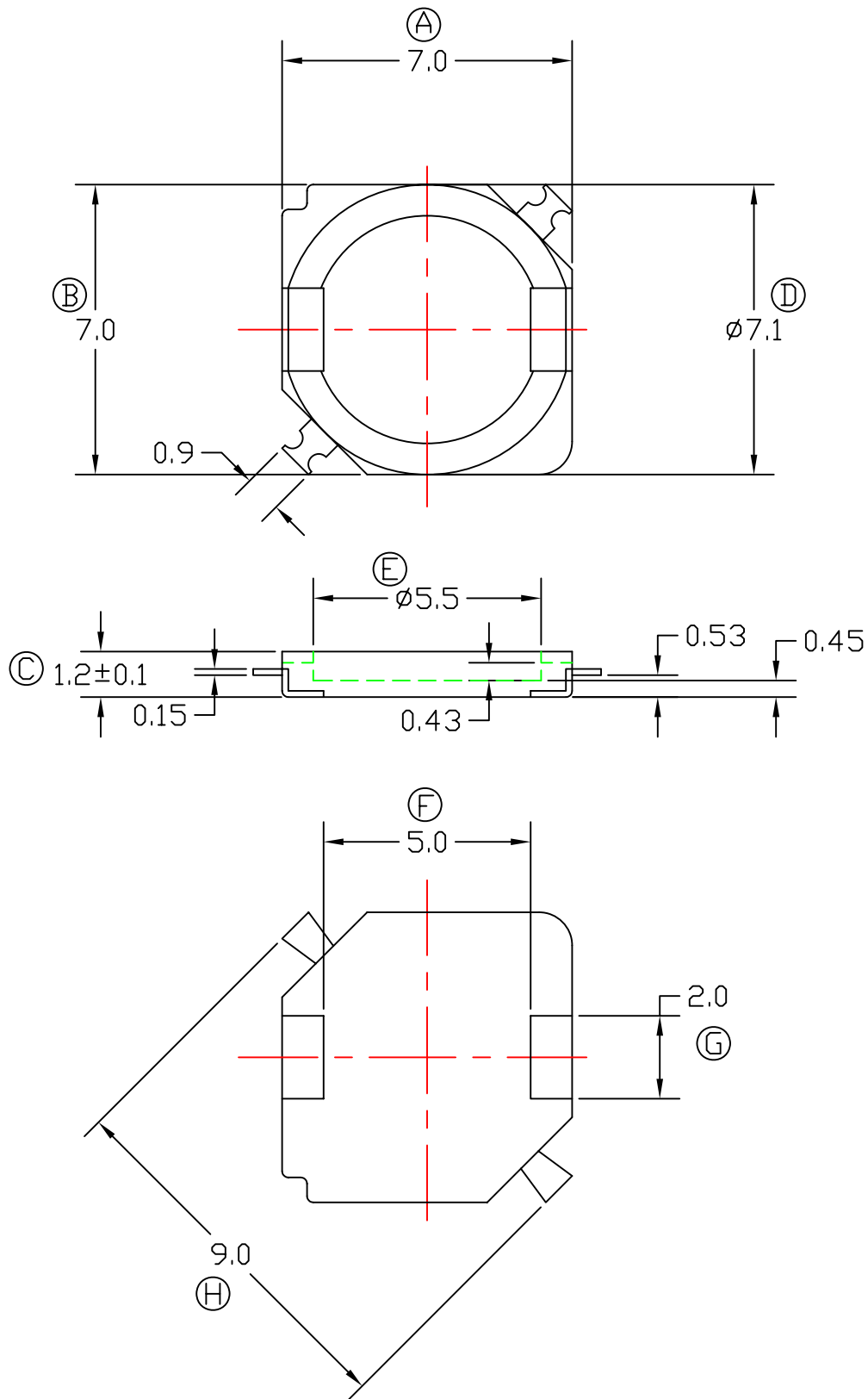
X.X 0.1



台速工業股份有限公司		FILE NAME	BM-067-1	
BOBBIN MASTER INDUSTRIAL CO;LTD.		MODEL NAME		
TEL:(886 2) 2694-3199		MATERIAL	SUMITOMO E4008	
FAX:(886 2) 2694-0947		PIN MATERIAL	NICKEL BRONZE PHOSPHOR BRONZE	
REV		TOLERANCE	UL REC.	UNIT
00		X. 0.15 X.X 0.1	UL 94V-0	m m



台速工業股份有限公司		FILE NAME	BM-067-2	
BOBBIN MASTER INDUSTRIAL CO;LTD.		MODEL NAME		
TEL:(886 2) 2694-3199		MATERIAL	L.C.P	
FAX:(886 2) 2694-0947		PIN MATERIAL	NICKEL BRONZE PHOSPHOR BRONZE	
REV	00	TOLERANCE	UL REC.	UNIT
		X. 0.15	UL 94V-0	m m
		X.X 0.1		



台速工業股份有限公司

BOBBIN MASTER INDUSTRIAL CO;LTD.

TEL:(886 2) 2694-3199

FAX:(886 2) 2694-0947

REV 00

FILE NAME

BM-067-4

MODEL NAME

MATERIAL

E4008

PIN MATERIAL

NICKEL BRONZE PHOSPHOR BRONZE

TOLERANCE

UL REC.

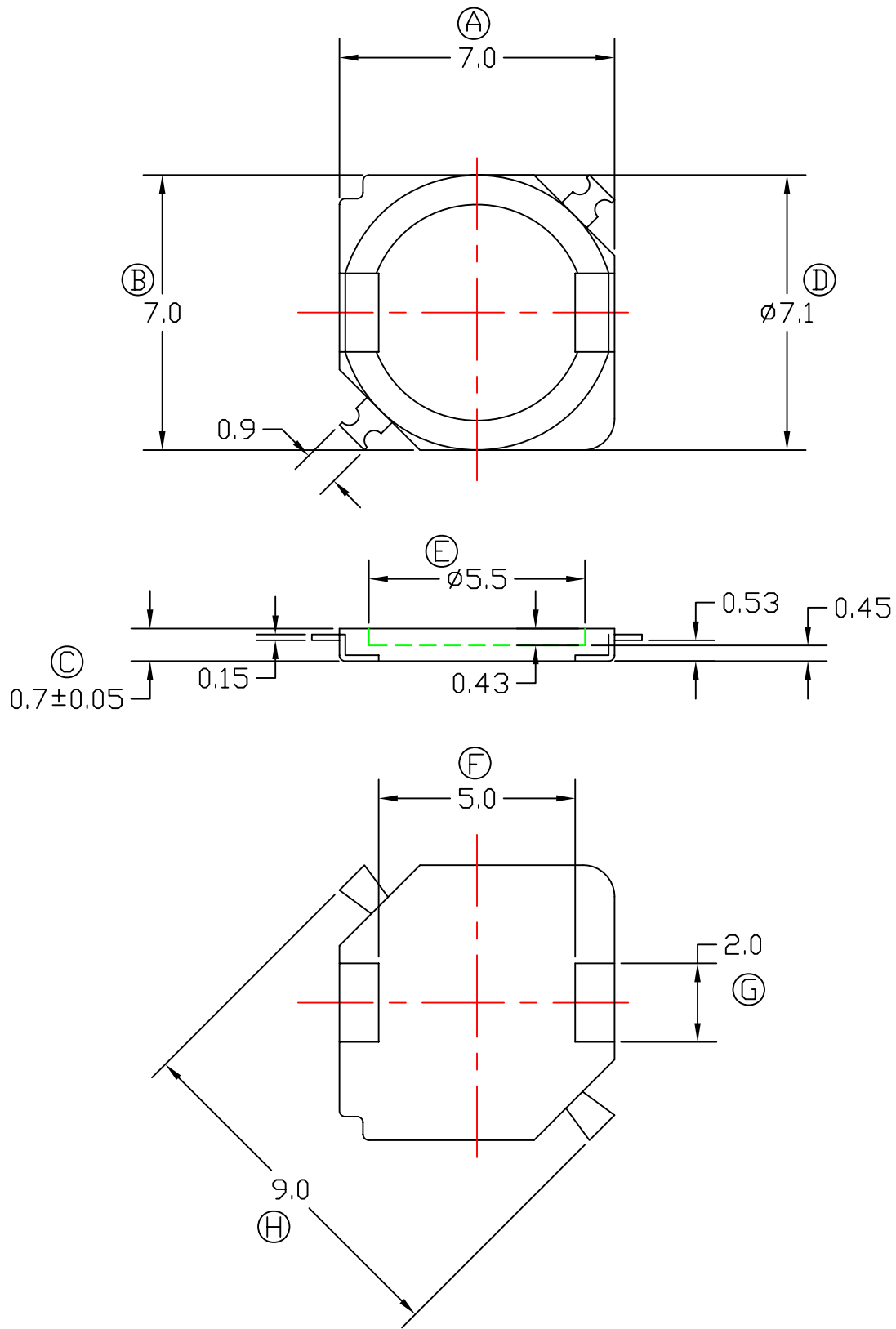
UNIT

X. 0.15

X.X 0.1

UL 94V-0

m m



台速工業股份有限公司

BOBBIN MASTER INDUSTRIAL CO;LTD.

TEL:(886 2) 2694-3199

FAX:(886 2) 2694-0947

REV 00

FILE NAME

BM-067-5

MODEL NAME

MATERIAL

E4008

PIN MATERIAL

NICKEL BRONZE PHOSPHOR BRONZE

TOLERANCE

UL REC.

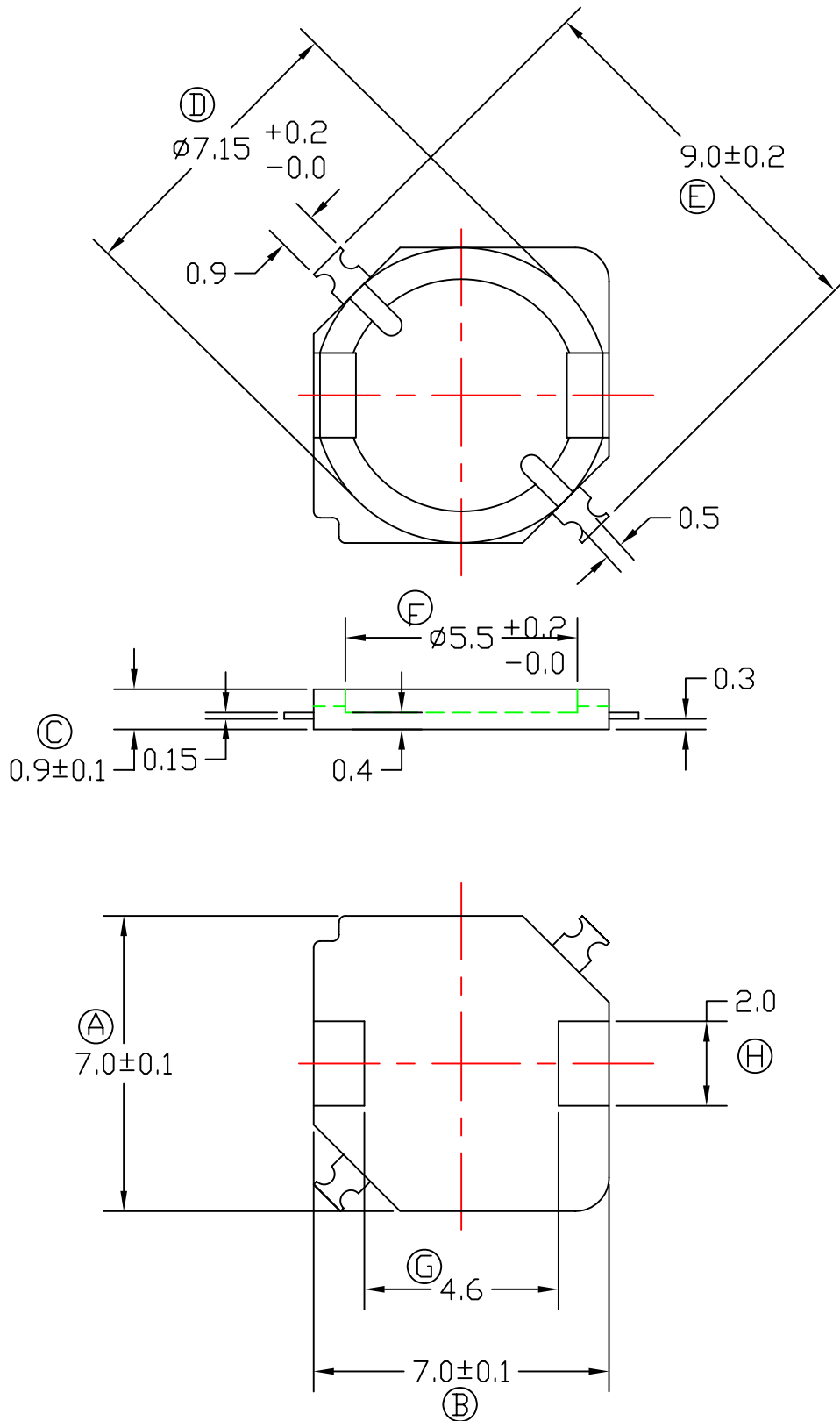
UNIT

X. 0.15

X.X 0.1

UL 94V-0

m m



台速工業股份有限公司

BOBBIN MASTER INDUSTRIAL CO;LTD.

TEL:(886 2) 2694-3199

FAX:(886 2) 2694-0947

REV 00

FILE NAME

BM-067-6

MODEL NAME

MATERIAL

SUMITOMO E4008

PIN MATERIAL

NICKEL BRONZE PHOSPHOR BRONZE

TOLERANCE

UL REC.

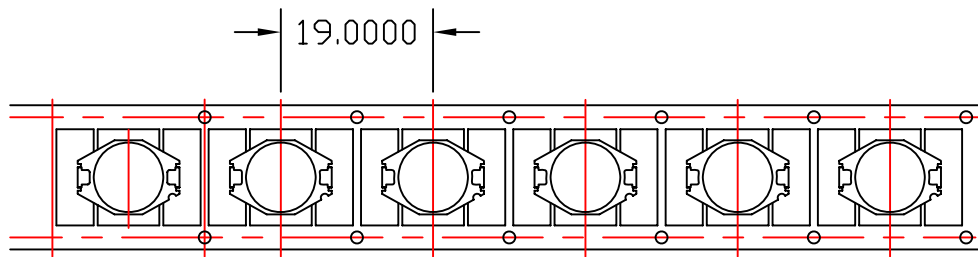
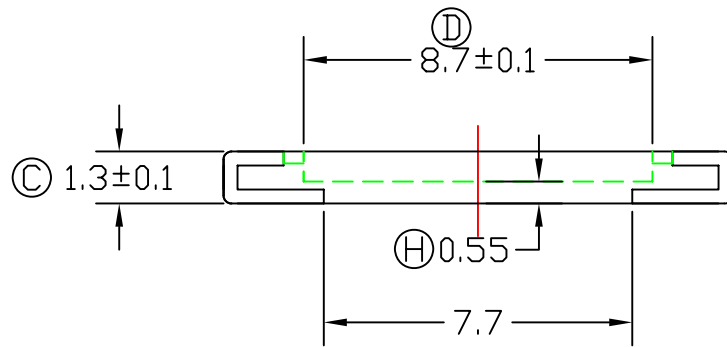
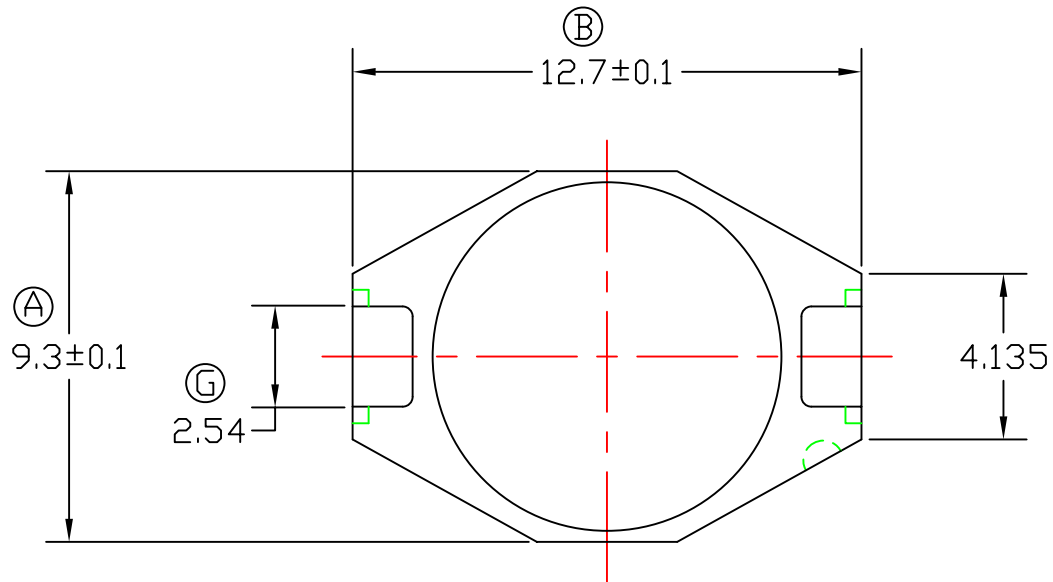
UNIT

X. 0.15

X.X 0.1

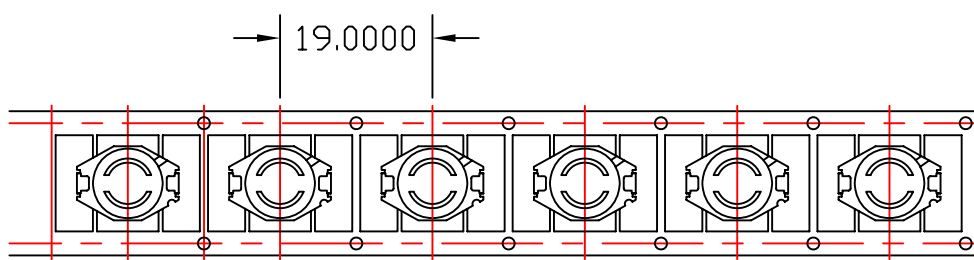
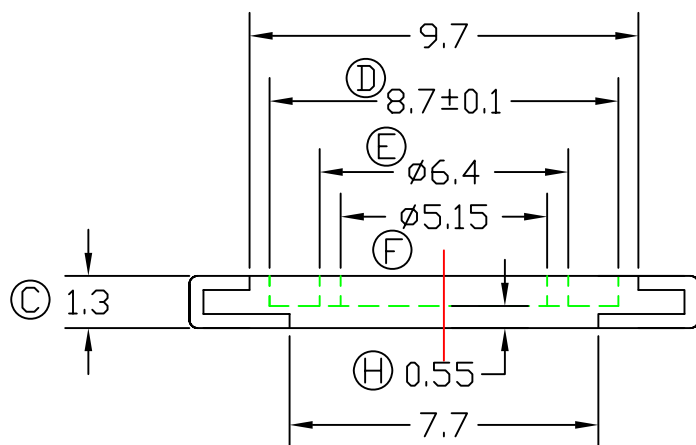
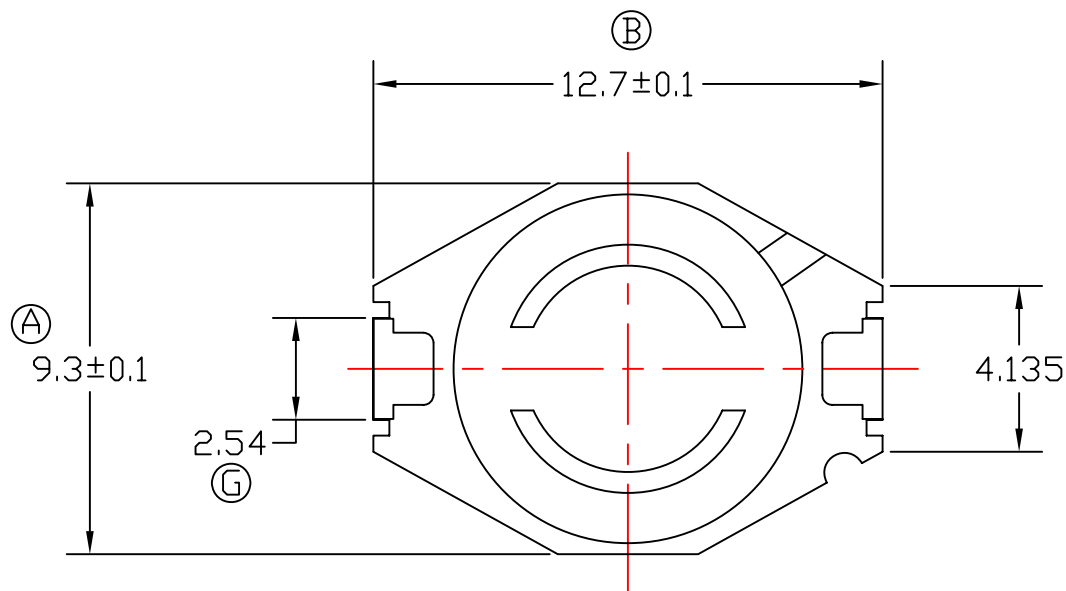
UL 94V-0

m m



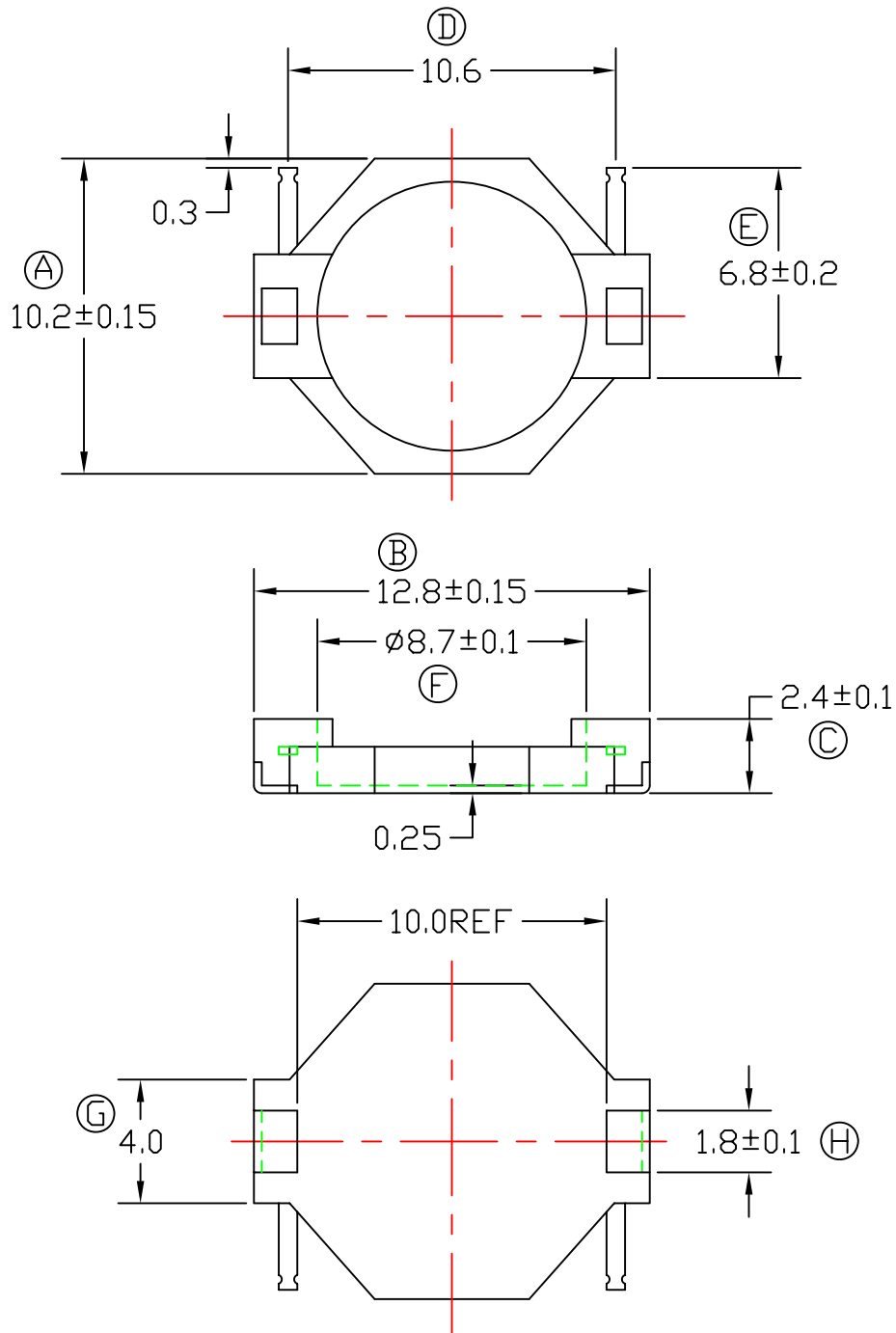
電鍍方式:1.鎳底50u"亮錫120u"
電鍍方式:2.鎳底50u"金2u"

台速工業股份有限公司		FILE NAME	BM-068	
BOBBIN MASTER INDUSTRIAL CO;LTD.		MODEL NAME		
TEL:(886 2) 2694-3199		MATERIAL	L.C.P	
FAX:(886 2) 2694-0947		PIN MATERIAL	NICKEL BRONZE PHOSPHOR BRONZE	
REV		TOLERANCE	UL REC.	UNIT
00		X. 0.15 X.X 0.1	UL 94V-0	m m



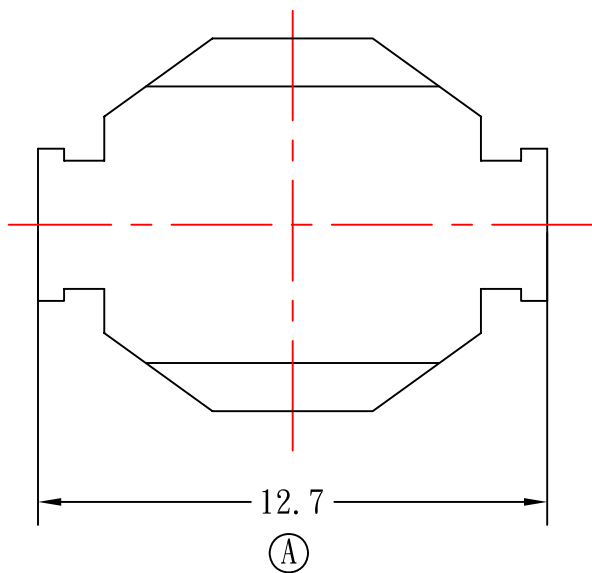
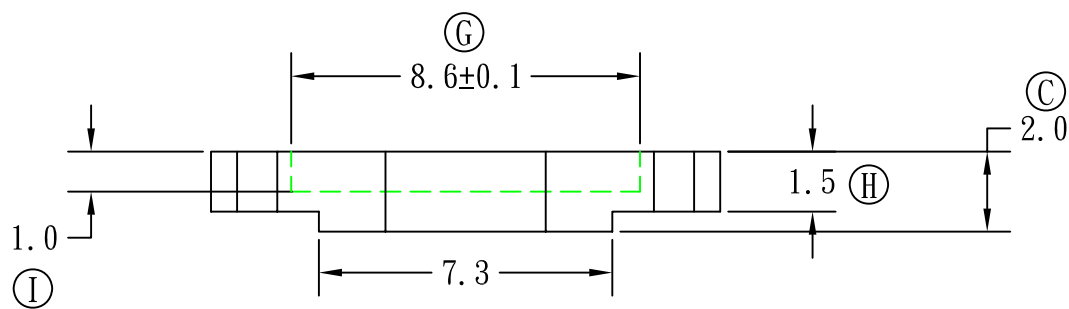
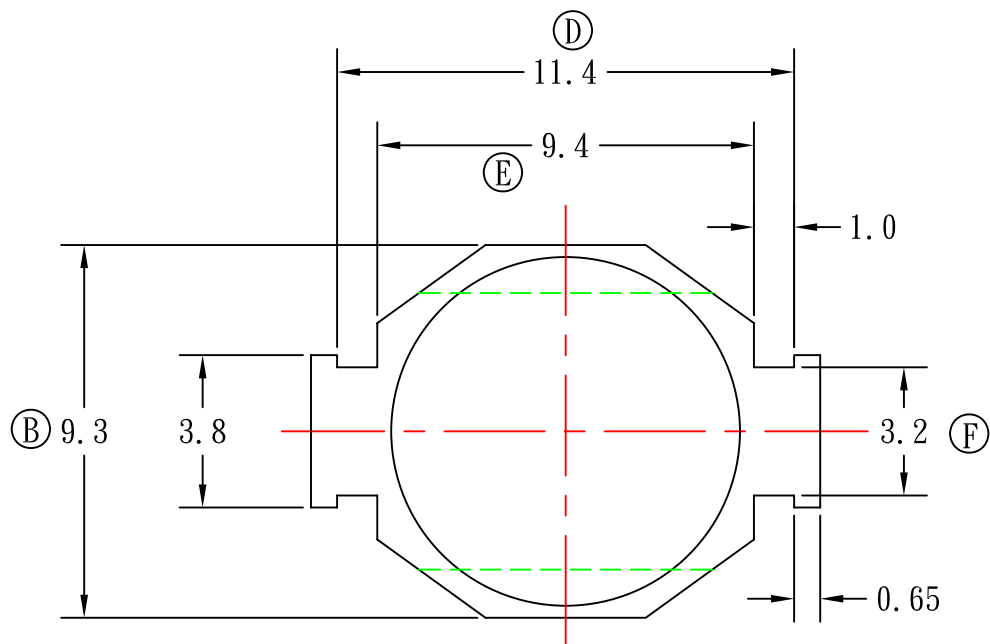
電鍍方式:1.鎳底50u"亮錫120u"
電鍍方式:2.鎳底50u"金2u"

台速工業股份有限公司		FILE NAME	BM-068-1	
BOBBIN MASTER INDUSTRIAL CO;LTD.		MODEL NAME		
TEL:(886 2) 2694-3199 . 2694-0926		MATERIAL	L.C.P	
FAX:(886 2) 2694-0947		PIN MATERIAL	NICKEL BRONZE PHOSPHOR BRONZE	
REV		TOLERANCE	UL REC.	UNIT
00		X. 0.15 X.X 0.1	UL 94V-0	m m



電鍍方式: 鎳底50u"亮錫120u"

台速工業股份有限公司			FILE NAME	BM-068-2	
BOBBIN MASTER INDUSTRIAL CO;LTD.			MODEL NAME	D.R CORE BASE	
TEL: (886 2) 2694-0926			MATERIAL	D A P	
FAX: (886 2) 2694-0947			PIN MATERIAL	PHOSPHOR , NICKEL BRONZE	
REV			TOLERANCE	UL REC.	UNIT
00			±0.15	UL 94V-0	m m



台速工業股份有限公司

BOBBIN MASTER INDUSTRIAL CO;LTD.

TEL:(886 2) 2694-3199

FAX:(886 2) 2694-0947

REV 00

FILE NAME

BM-069

MODEL NAME

MATERIAL

L.C.P

PIN MATERIAL

NICKEL BRONZE PHOSPHOR BRONZE

TOLERANCE

UL REC.

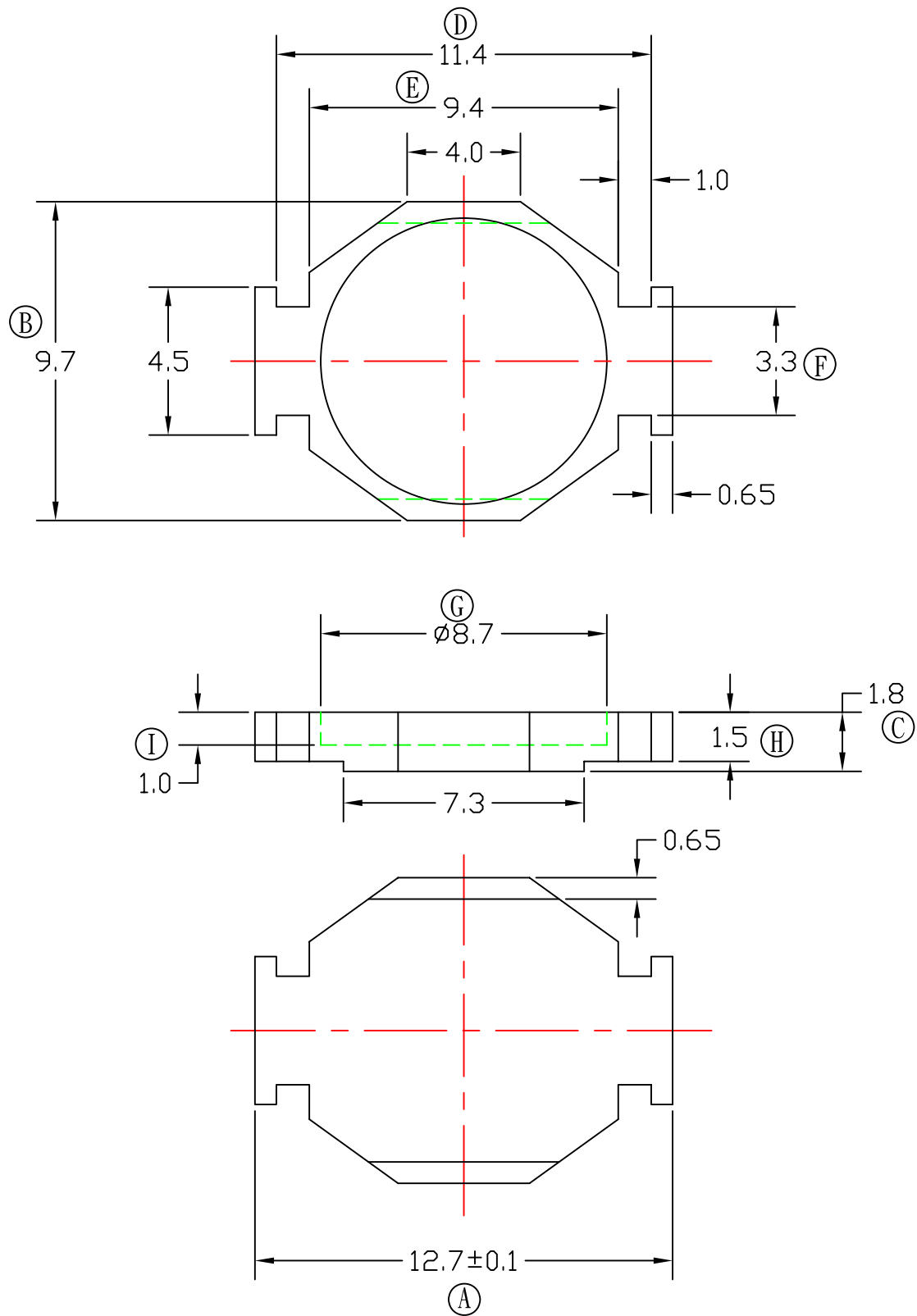
UNIT

X. 0.15

UL 94V-0

m m

X.X 0.1



台速工業股份有限公司

BOBBIN MASTER INDUSTRIAL CO., LTD.

TEL: (886 2) 2694-3199

FAX: (886 2) 2694-0947

REV 00

FILE NAME

BM-069-1

MODEL NAME

DR 8.7 BASE

MATERIAL

PM 9630

PIN MATERIAL

NICKEL BRONZE PHOSPHOR BRONZE

TOLERANCE

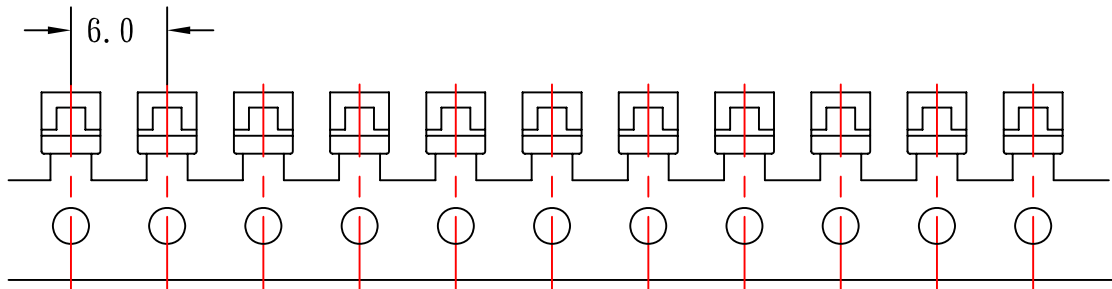
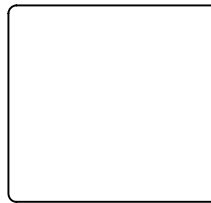
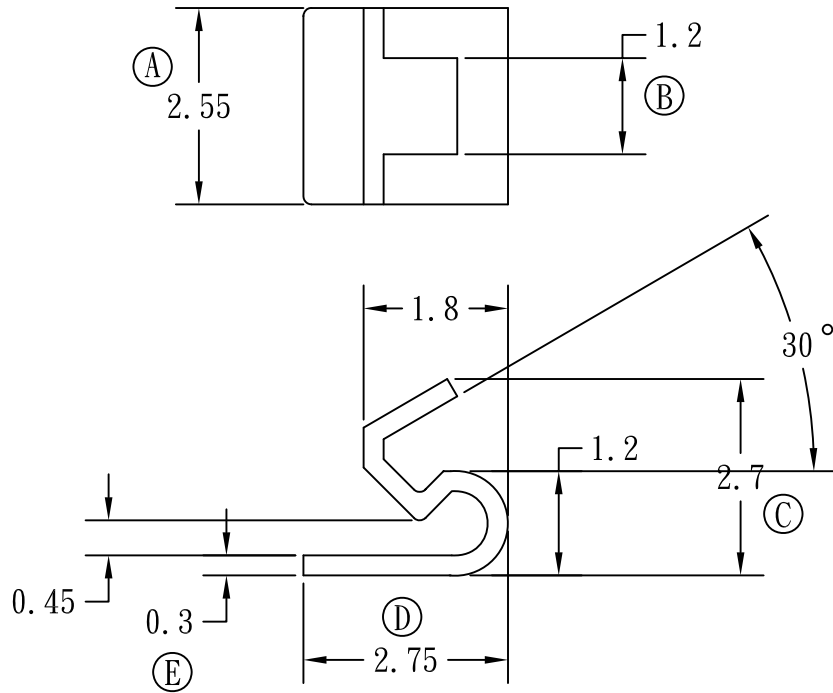
UL REC.

UNIT

±0.15

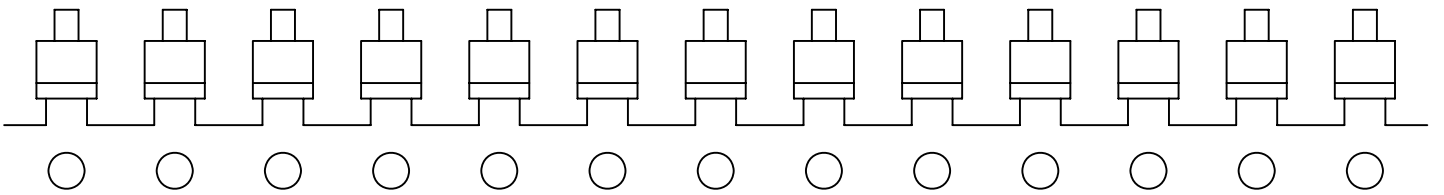
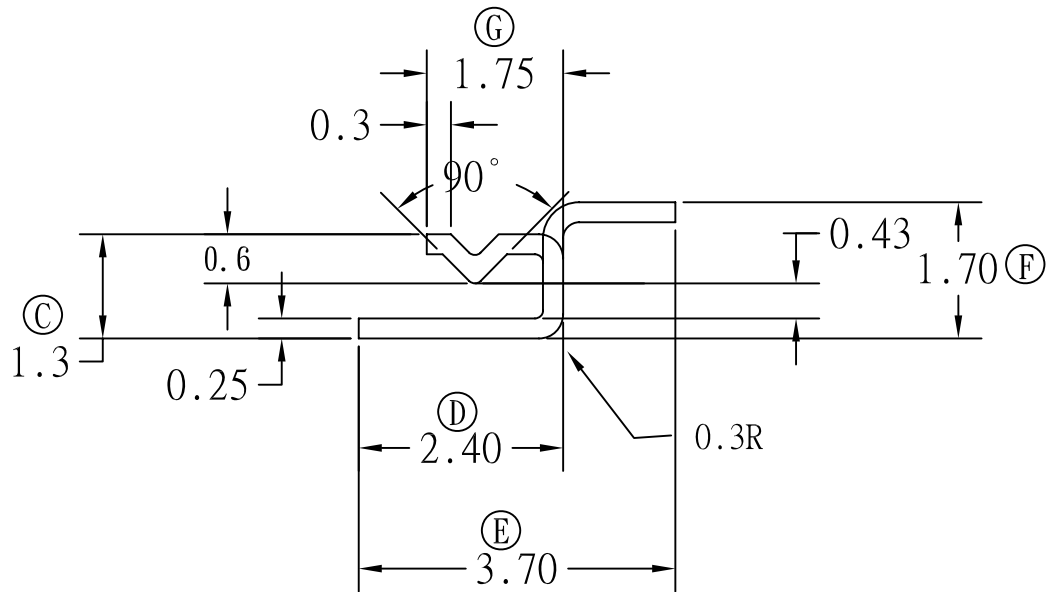
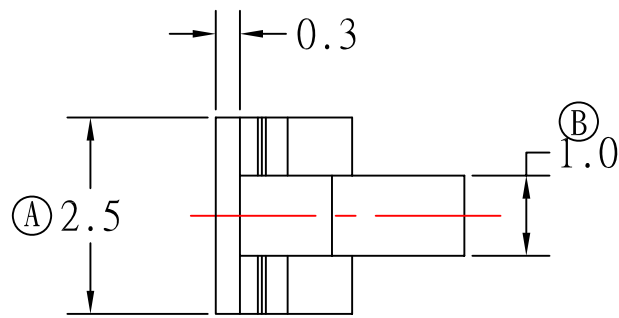
UL 94V-0

m m



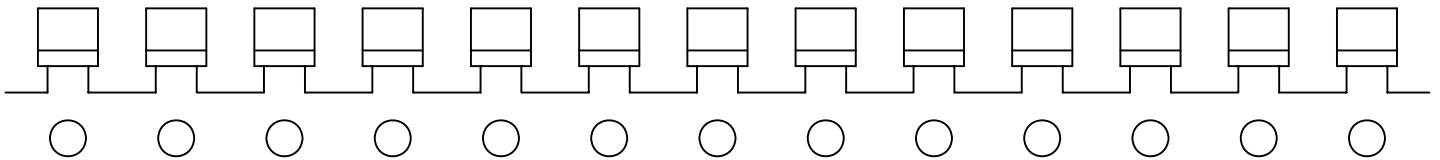
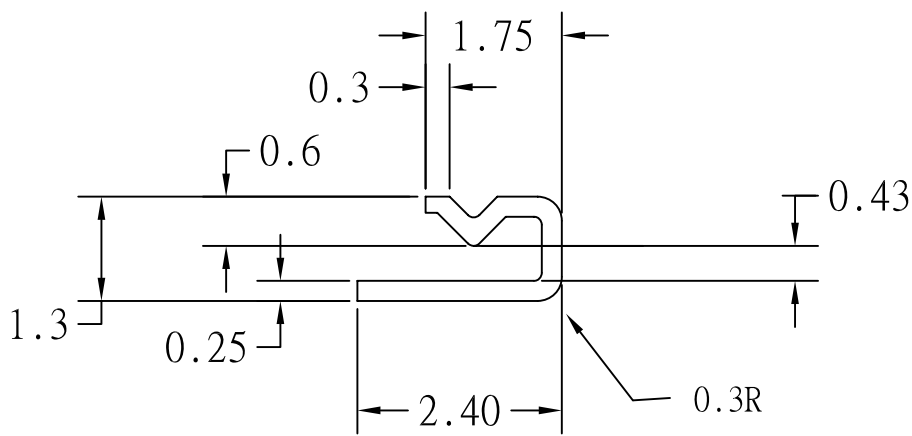
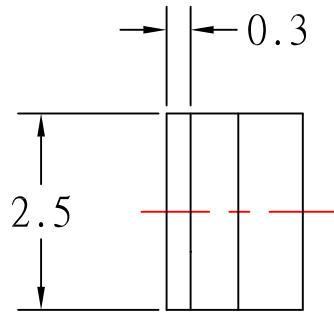
電鍍方式: 鎳底50u"亮錫120u"

台速工業股份有限公司		FILE NAME	BM-070-1	
BOBBIN MASTER INDUSTRIAL CO;LTD.		MODEL NAME		
TEL:(886 2) 2694-3199		MATERIAL	PHOSPHOR BRONZE C5191	
FAX:(886 2) 2694-0947		PIN MATERIAL	NICKEL BRONZE PHOSPHOR BRONZE	
REV 00		TOLERANCE	UL REC.	UNIT
		X. 0.15	UL 94V-0	m m
		X.X 0.1		



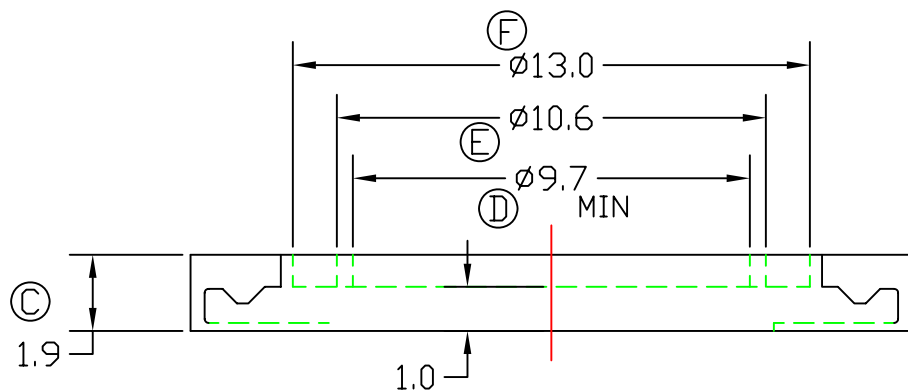
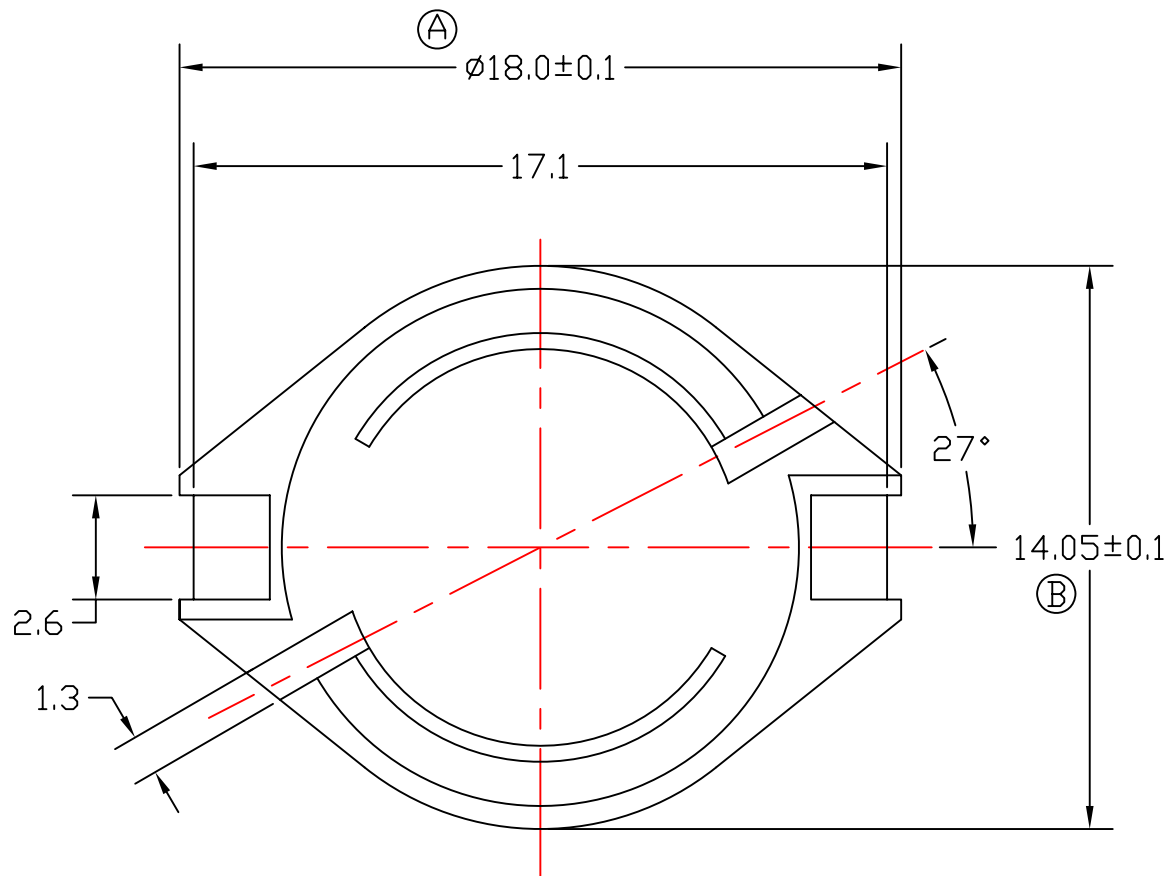
電鍍方式:鎳底50u"亮錫120u"

台速工業股份有限公司		FILE NAME	BM-070-2	
BOBBIN MASTER INDUSTRIAL CO;LTD.		MODEL NAME		
TEL:(886 2) 2694-3199		MATERIAL		
FAX:(886 2) 2694-0947		PIN MATERIAL	NICKEL BRONZE PHOSPHOR BRONZE	
REV 00		TOLERANCE	UL REC.	UNIT
		X. 0.15 X.X 0.1	UL 94V-0	m m



電鍍方式: 鎳底50u"亮錫120u"

台速工業股份有限公司		FILE NAME	BM-070-3	
BOBBIN MASTER INDUSTRIAL CO;LTD.		MODEL NAME		
TEL:(886 2) 2694-3199		MATERIAL		
FAX:(886 2) 2694-0947		PIN MATERIAL	NICKEL BRONZE PHOSPHOR BRONZE	
REV 00		TOLERANCE	UL REC.	UNIT
		X. 0.15 X.X 0.1	UL 94V-0	m m



台速工業股份有限公司

BOBBIN MASTER INDUSTRIAL CO;LTD.

TEL:(886 2) 2694-3199

FAX:(886 2) 2694-0947

REV 00

FILE NAME

BM-071

MODEL NAME

DR RI BASE

MATERIAL

L.C.P

PIN MATERIAL

TOLERANCE

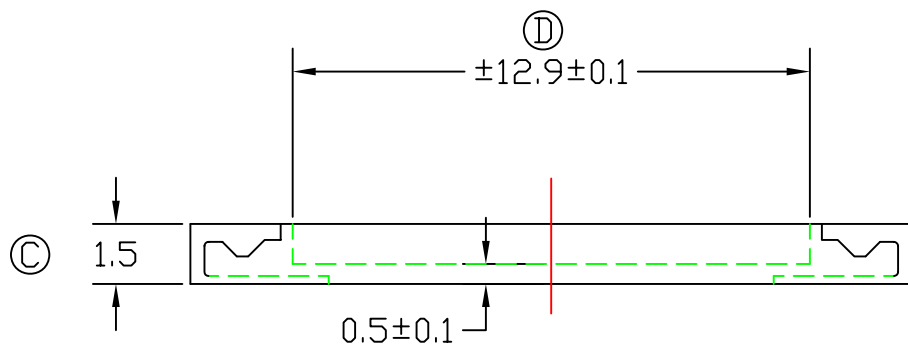
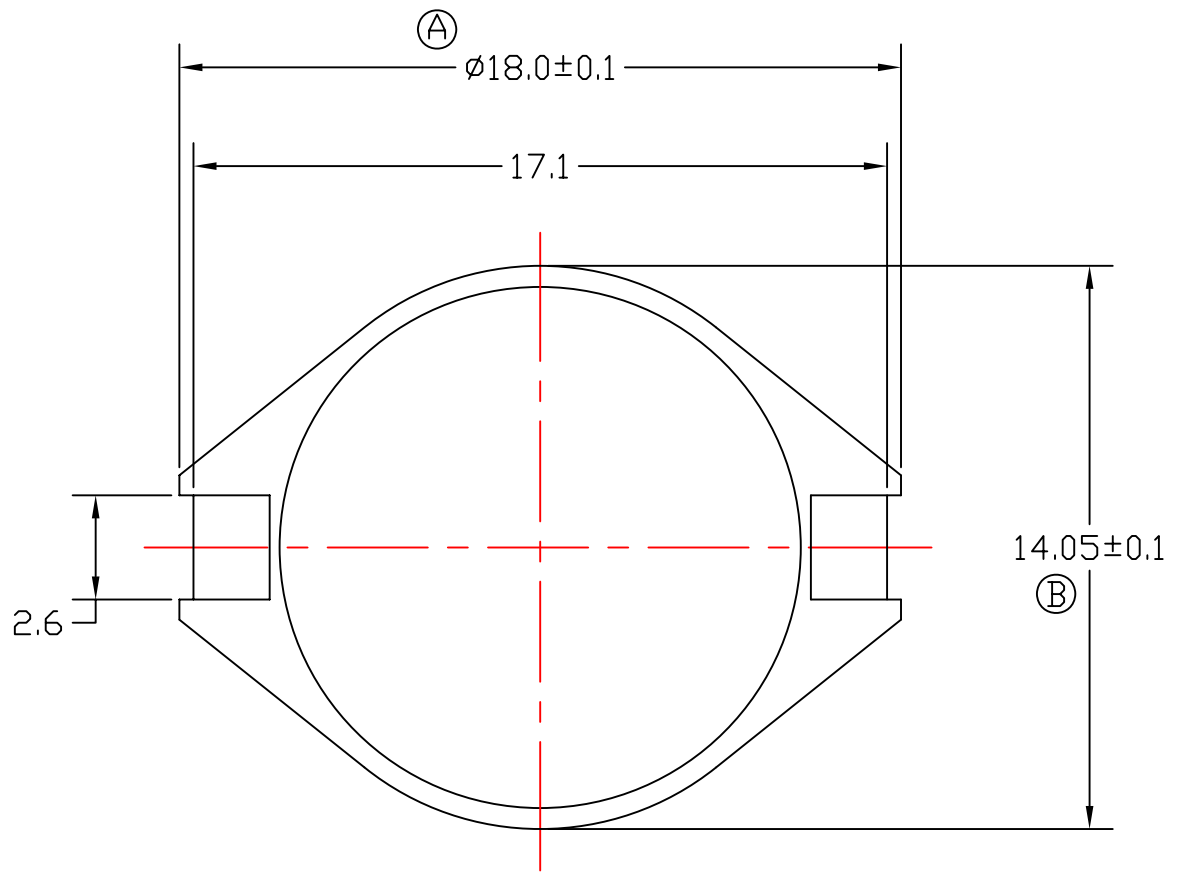
UL REC.

UNIT

±0.15

UL 94V-0

m m



台速工業股份有限公司

BOBBIN MASTER INDUSTRIAL CO;LTD.

TEL:(886 2) 2694-3199

FAX:(886 2) 2694-0947

REV 00

FILE NAME

BM-071-1

MODEL NAME

MATERIAL

L.C.P

PIN MATERIAL

NICKEL BRONZE PHOSPHOR BRONZE

TOLERANCE

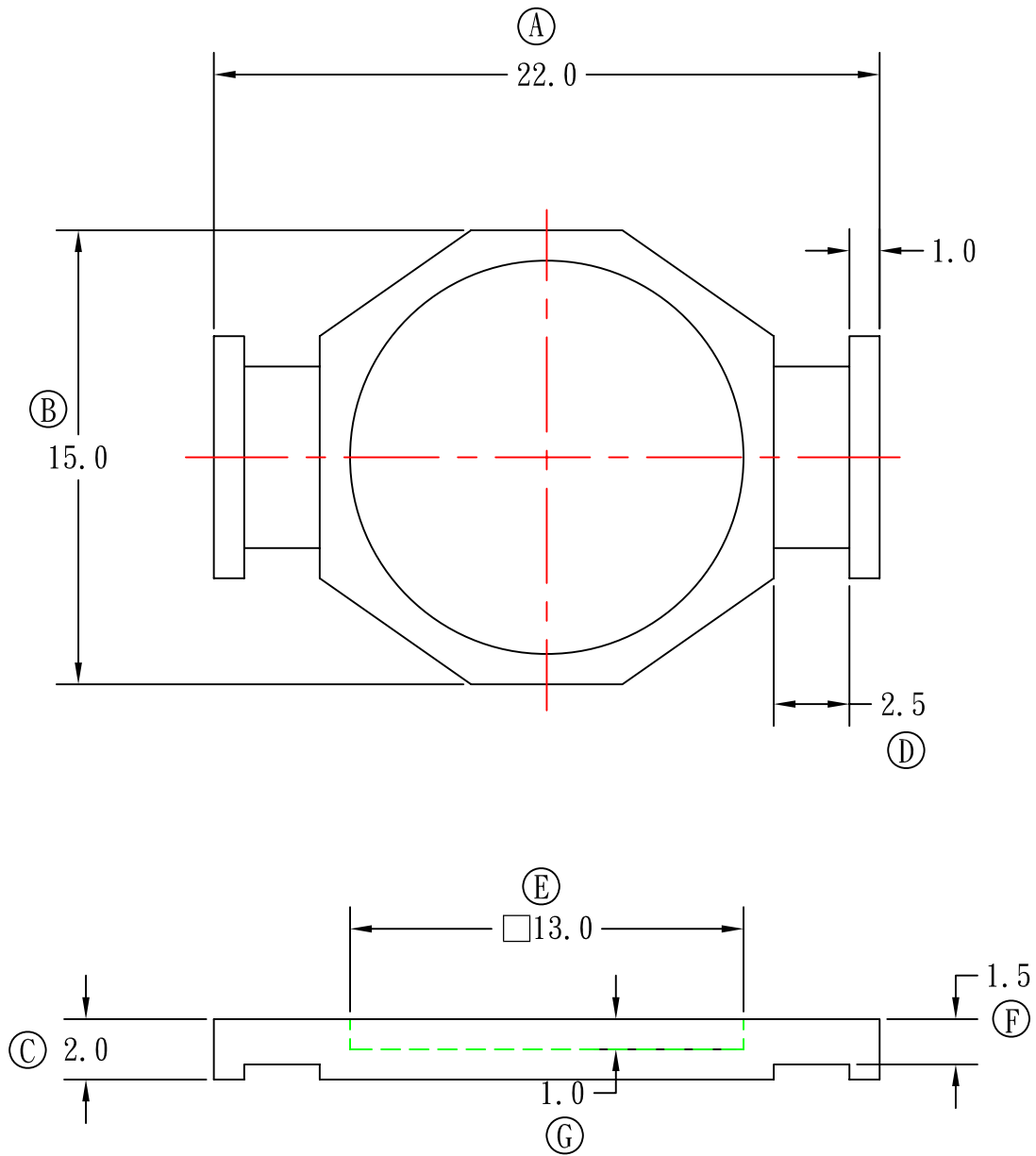
UL REC.

UNIT

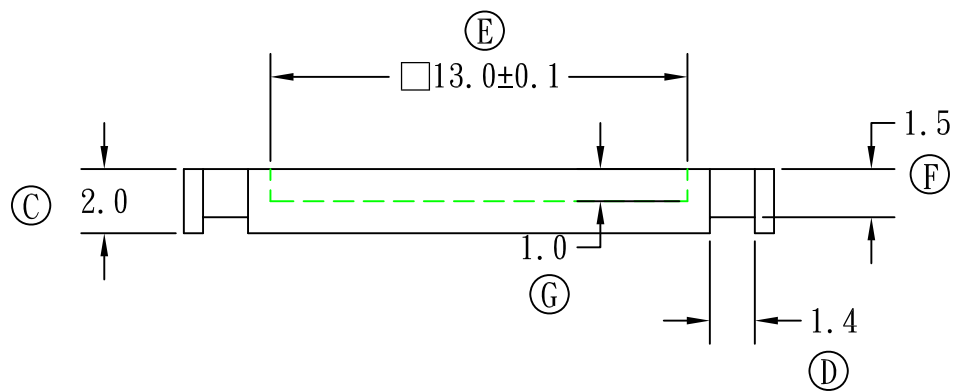
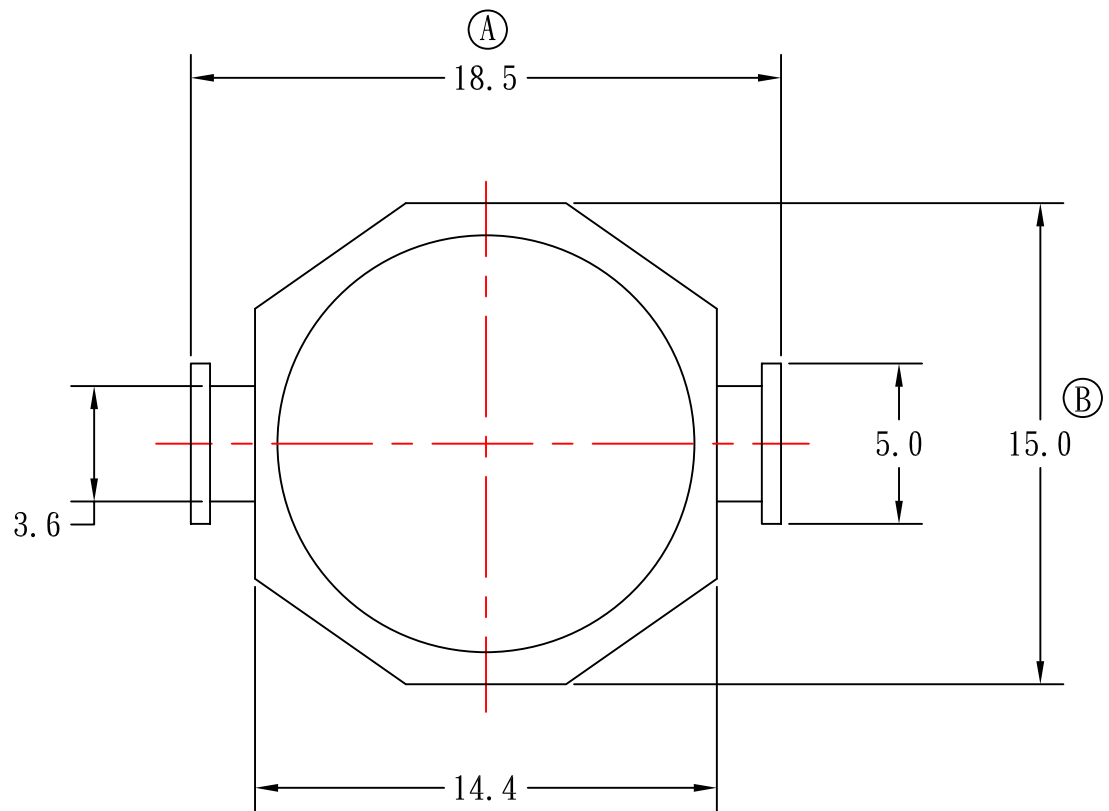
± 0.15

UL 94V-0

m m



台速工業股份有限公司		FILE NAME	BM-072	
BOBBIN MASTER INDUSTRIAL CO;LTD.		MODEL NAME	DR RI BASE	
TEL:(886 2) 2694-3199		MATERIAL	PM9630	
FAX:(886 2) 2694-0947		PIN MATERIAL		
REV	00	TOLERANCE	UL REC.	UNIT
		X. 0.15	UL 94V-0	m m
		X.X 0.1		



台速工業股份有限公司

BOBBIN MASTER INDUSTRIAL CO;LTD.

TEL:(886 2) 2694-3199

FAX:(886 2) 2694-0947

REV 00

FILE NAME

BM-072-1

MODEL NAME

MATERIAL

PM9630

PIN MATERIAL

NICKEL BRONZE PHOSPHOR BRONZE

TOLERANCE

UL REC.

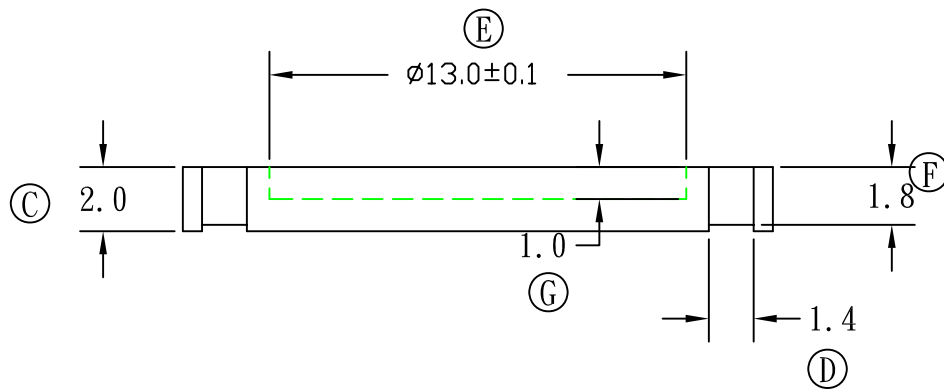
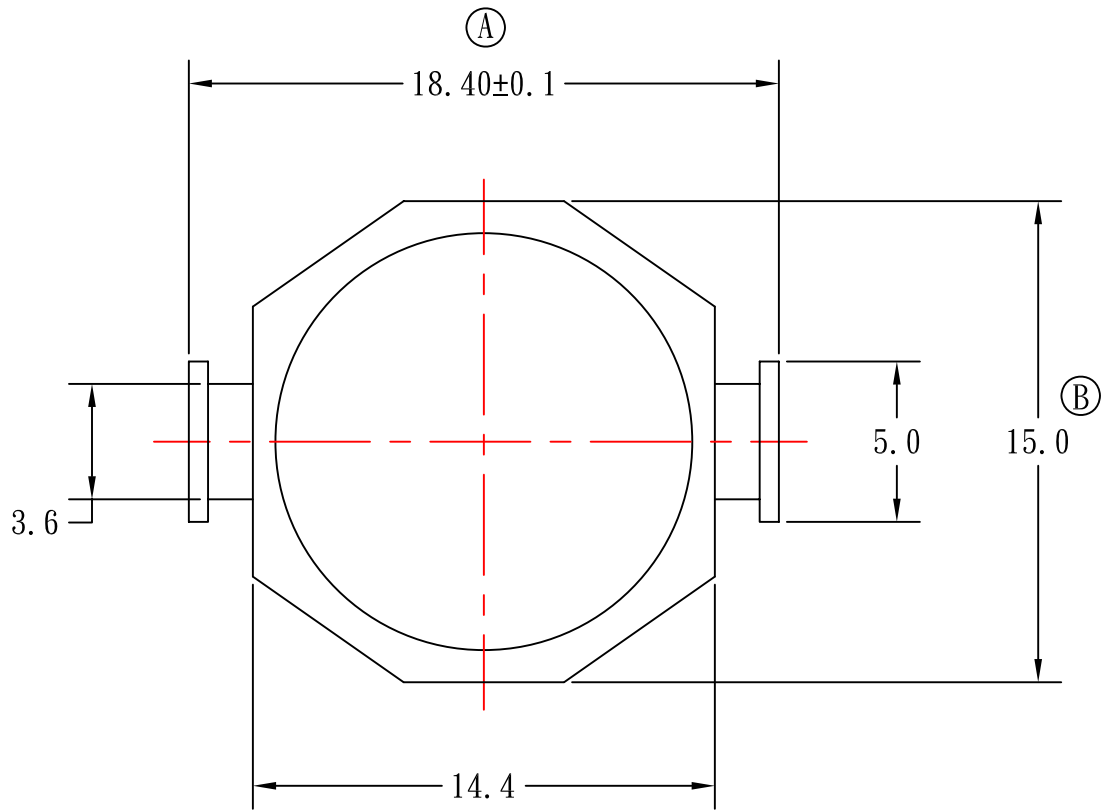
UNIT

X. 0.15

X.X 0.1

UL 94V-0

m m



台速工業股份有限公司

BOBBIN MASTER INDUSTRIAL CO;LTD.

TEL:(886 2) 2694-3199

FAX:(886 2) 2694-0947

REV 00

FILE NAME

BM-072-2

MODEL NAME

MATERIAL

PM9630

PIN MATERIAL

NICKEL BRONZE PHOSPHOR BRONZE

TOLERANCE

UL REC.

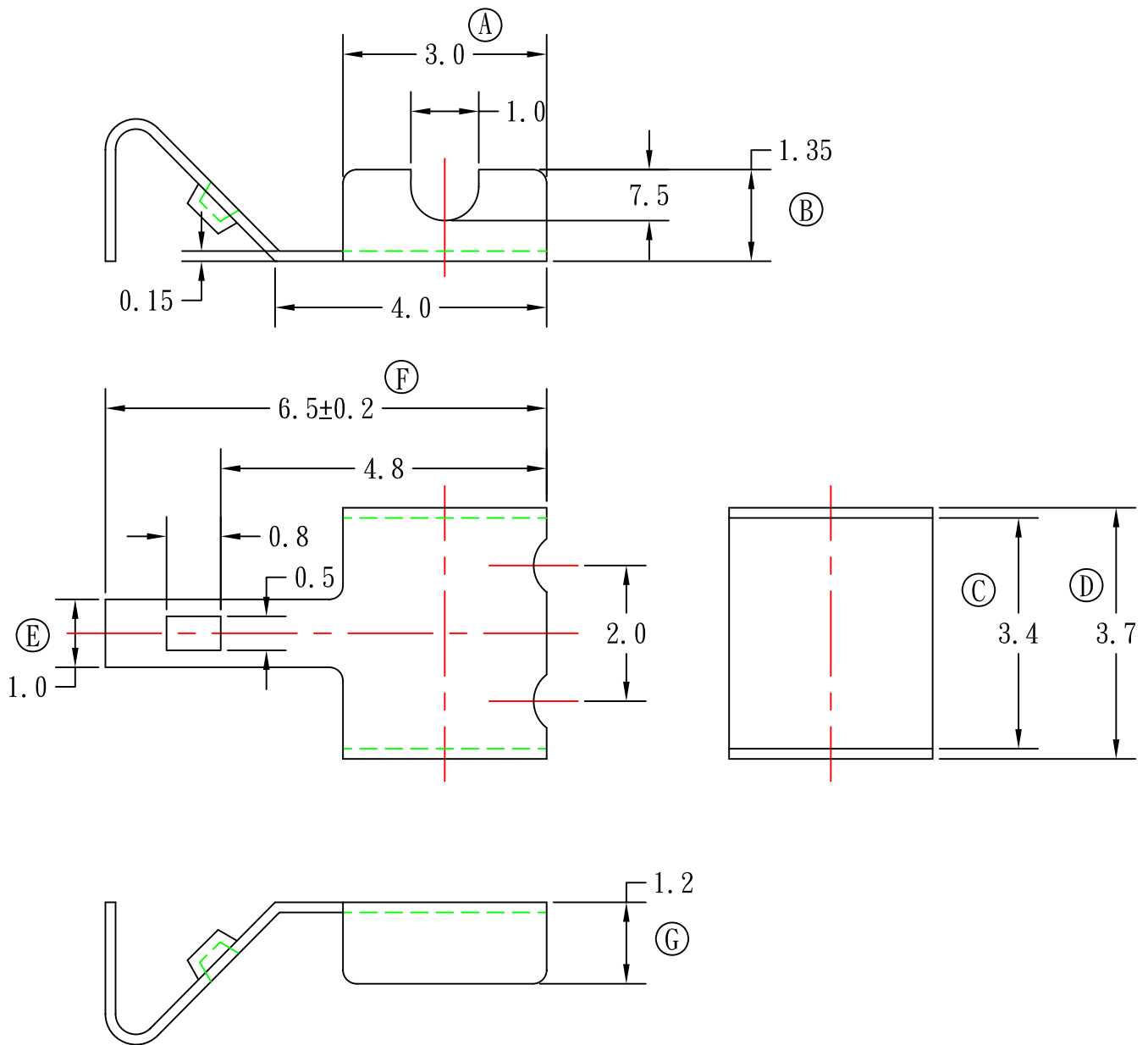
UNIT

X. 0.15

X.X 0.1

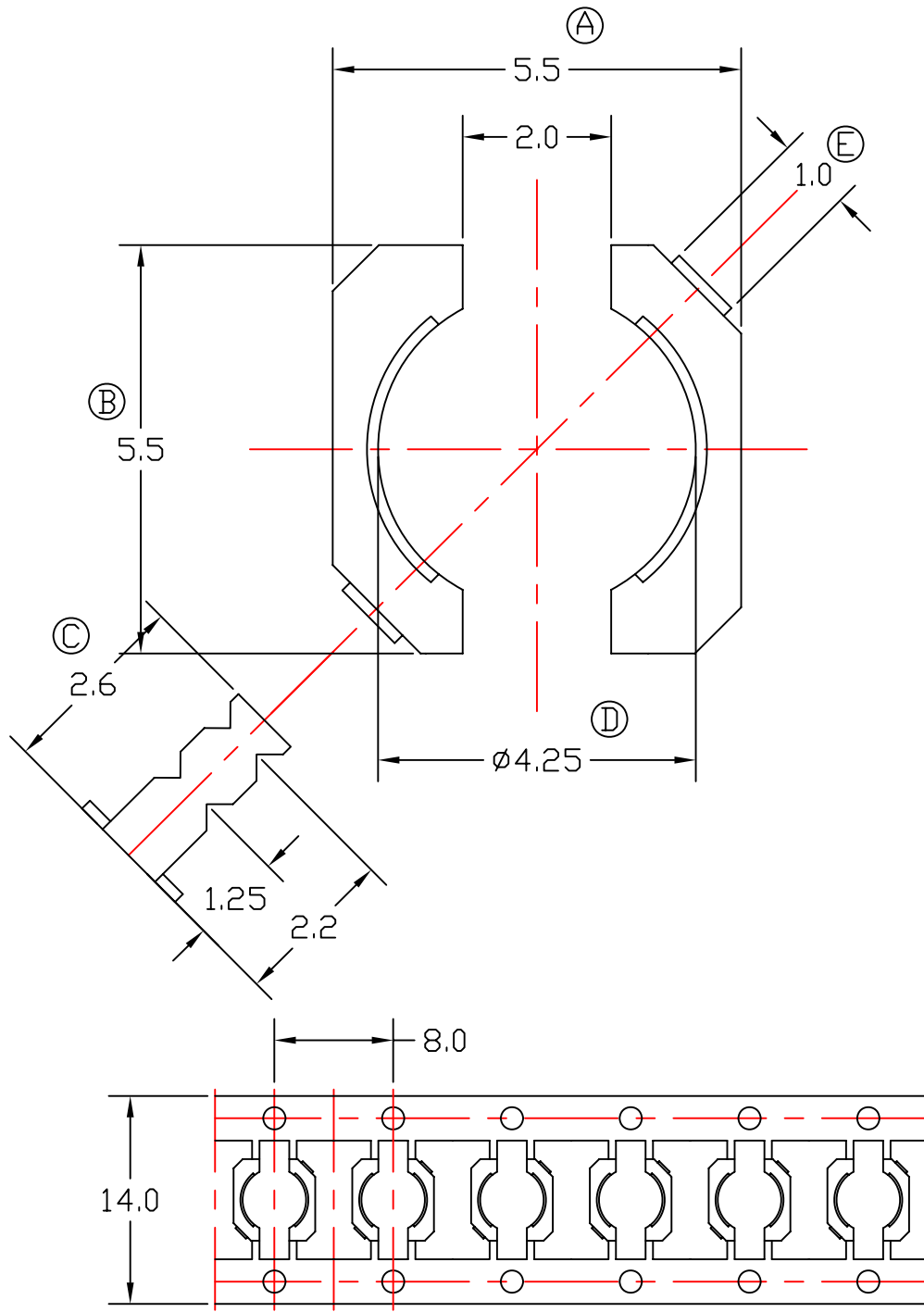
UL 94V-0

m m



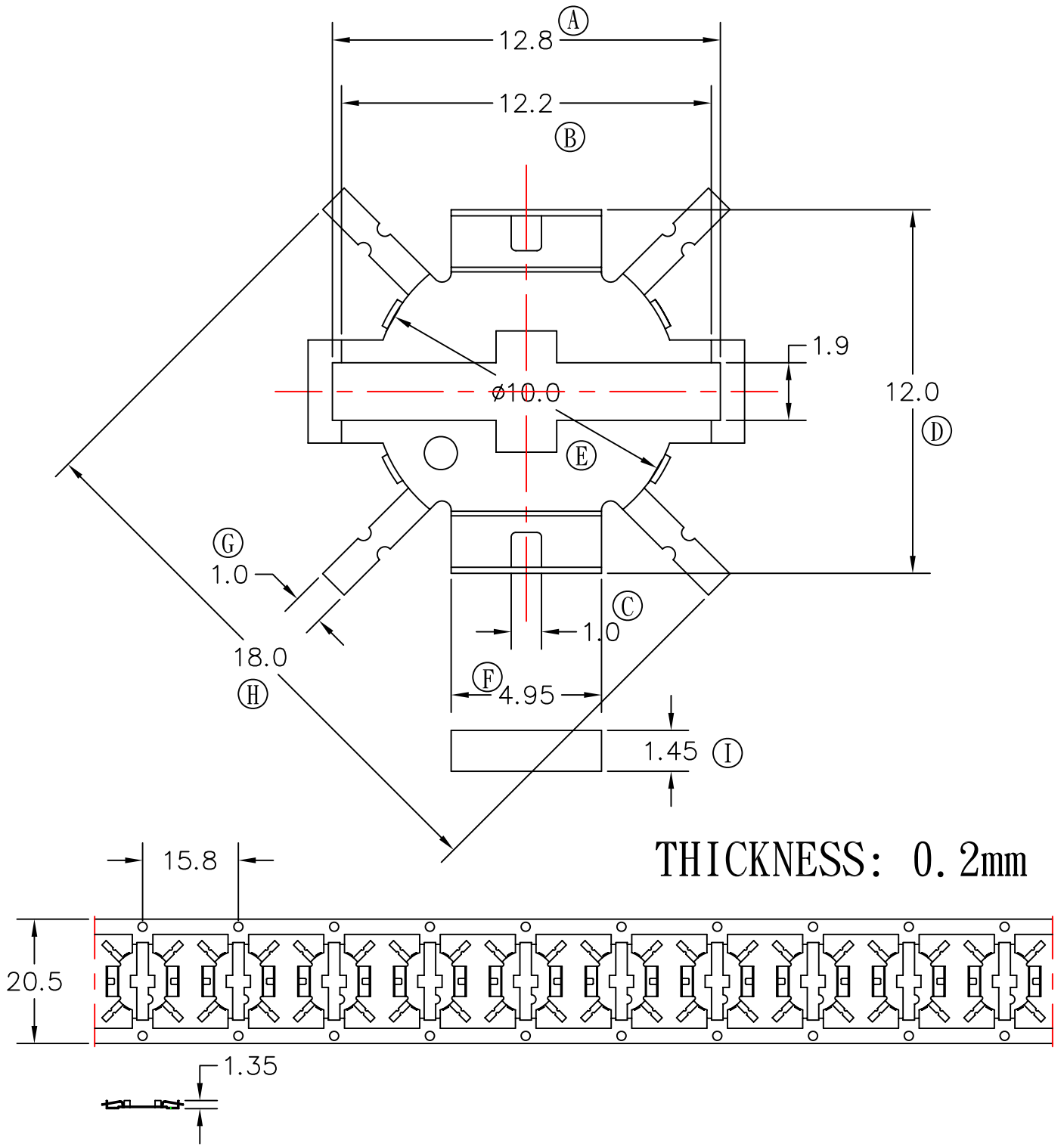
電鍍方式: 鍍底50u"亮錫120u"

台速工業股份有限公司		FILE NAME	BM-073	
BOBBIN MASTER INDUSTRIAL CO;LTD.		MODEL NAME	FOR RH104	
TEL:(886 2) 2694-3199		MATERIAL		
FAX:(886 2) 2694-0947		PIN MATERIAL	COPPER	
REV		TOLERANCE	UL REC.	UNIT
00		X. 0.15 X.X 0.1	UL 94V-0	m m



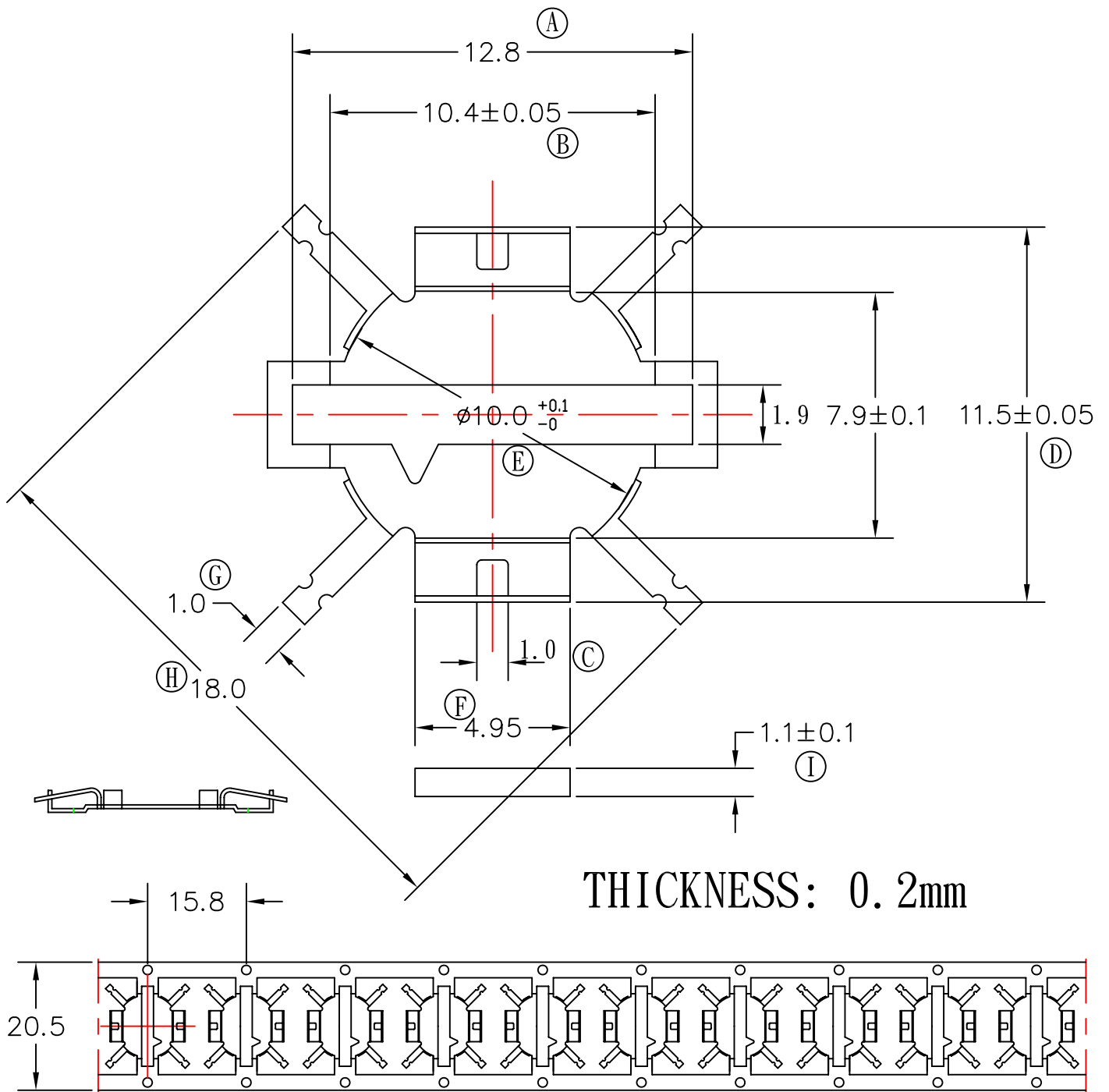
1. THICKNESS: 0.15mm
2. MATERIAL PHOSPHOR PLATING GOLD

台速工業股份有限公司		FILE NAME	BM-076	
BOBBIN MASTER INDUSTRIAL CO;LTD.		MODEL NAME	FOR 5D 18 28	
TEL:(886 2) 2694-3199		MATERIAL		
FAX:(886 2) 2694-0947		PIN MATERIAL	NICKEL BRONZE PHOSPHOR BRONZE	
REV		TOLERANCE	UL REC.	UNIT
00		X. 0.15 X.X 0.1	UL 94V-0	m m



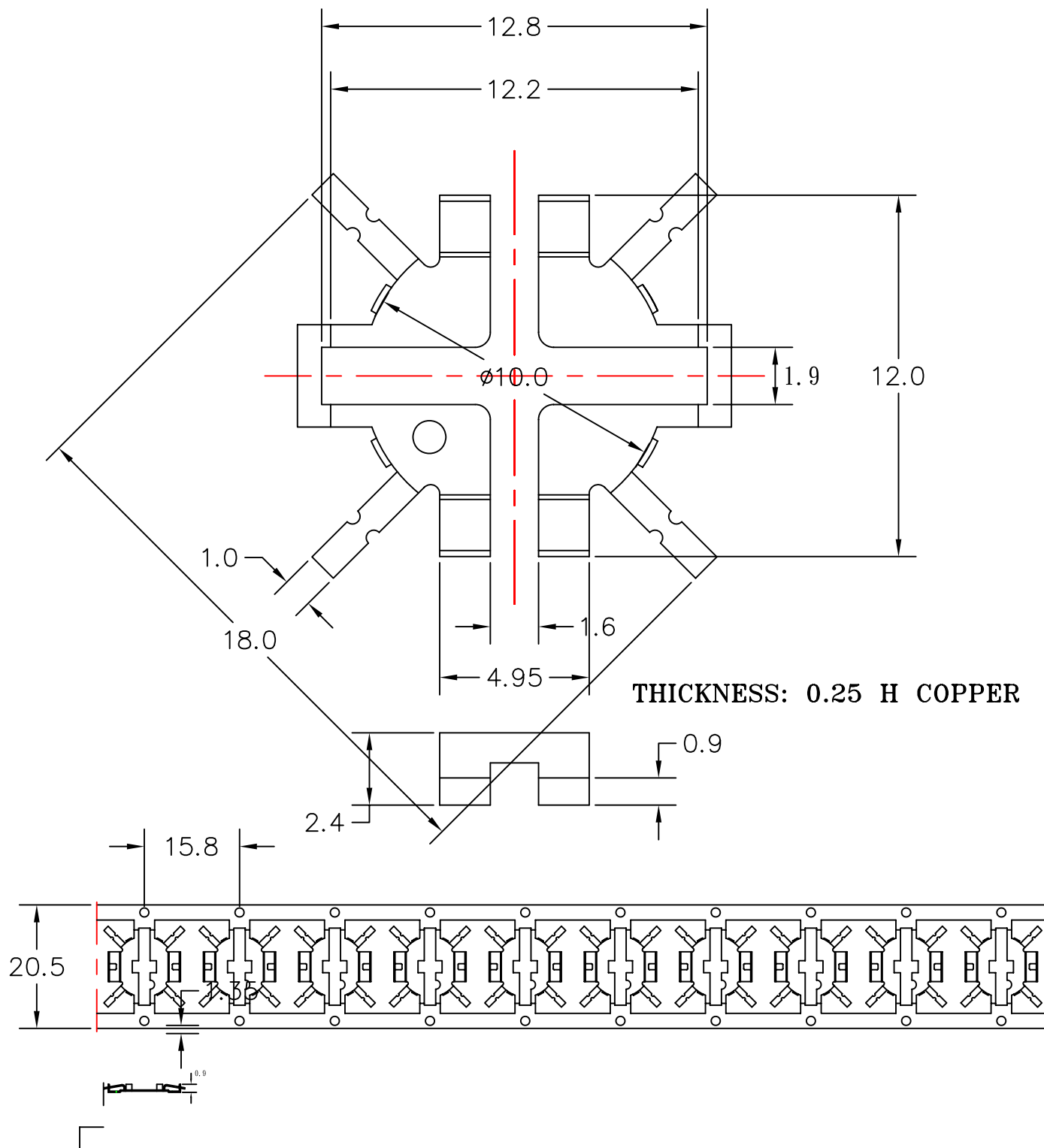
電鍍方式: 鎳底50u"亮錫120u"

台速工業股份有限公司			FILE NAME	BM-077	
BOBBIN MASTER INDUSTRIAL CO;LTD.			MODEL NAME	FOR 124 125 127	
TEL:(886 2) 2694-3199			MATERIAL		
FAX:(886 2) 2694-0947			PIN MATERIAL	NICKEL BRONZE PHOSPHOR BRONZE	
REV 00			TOLERANCE	UL REC.	UNIT
			X. 0.15	UL 94V-0	m m
			X.X 0.1		



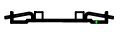
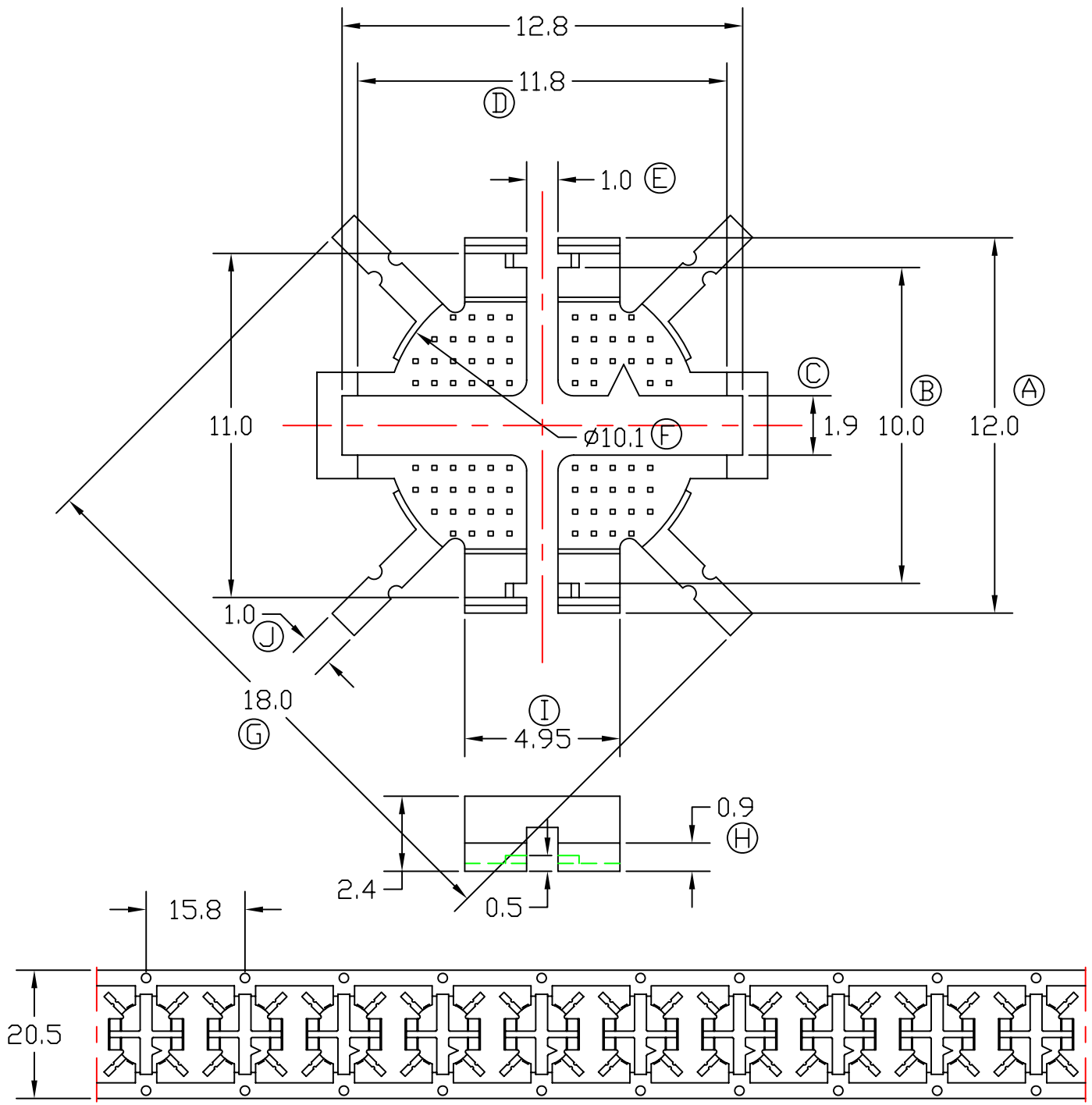
- PLANTING WITH 100% TIN/LEAD UP 120 MICRONS
- 一排 15 pcs

台速工業股份有限公司		FILE NAME	BM-077-1	
BOBBIN MASTER INDUSTRIAL CO;LTD.		MODEL NAME	FOR 124 125 127	
TEL:(886 2) 2694-3199		MATERIAL		
FAX:(886 2) 2694-0947		PIN MATERIAL	COPPER (H)	
REV 00		TOLERANCE	UL REC.	UNIT
		X. 0.15	UL 94V-0	m m
		X.X 0.1		



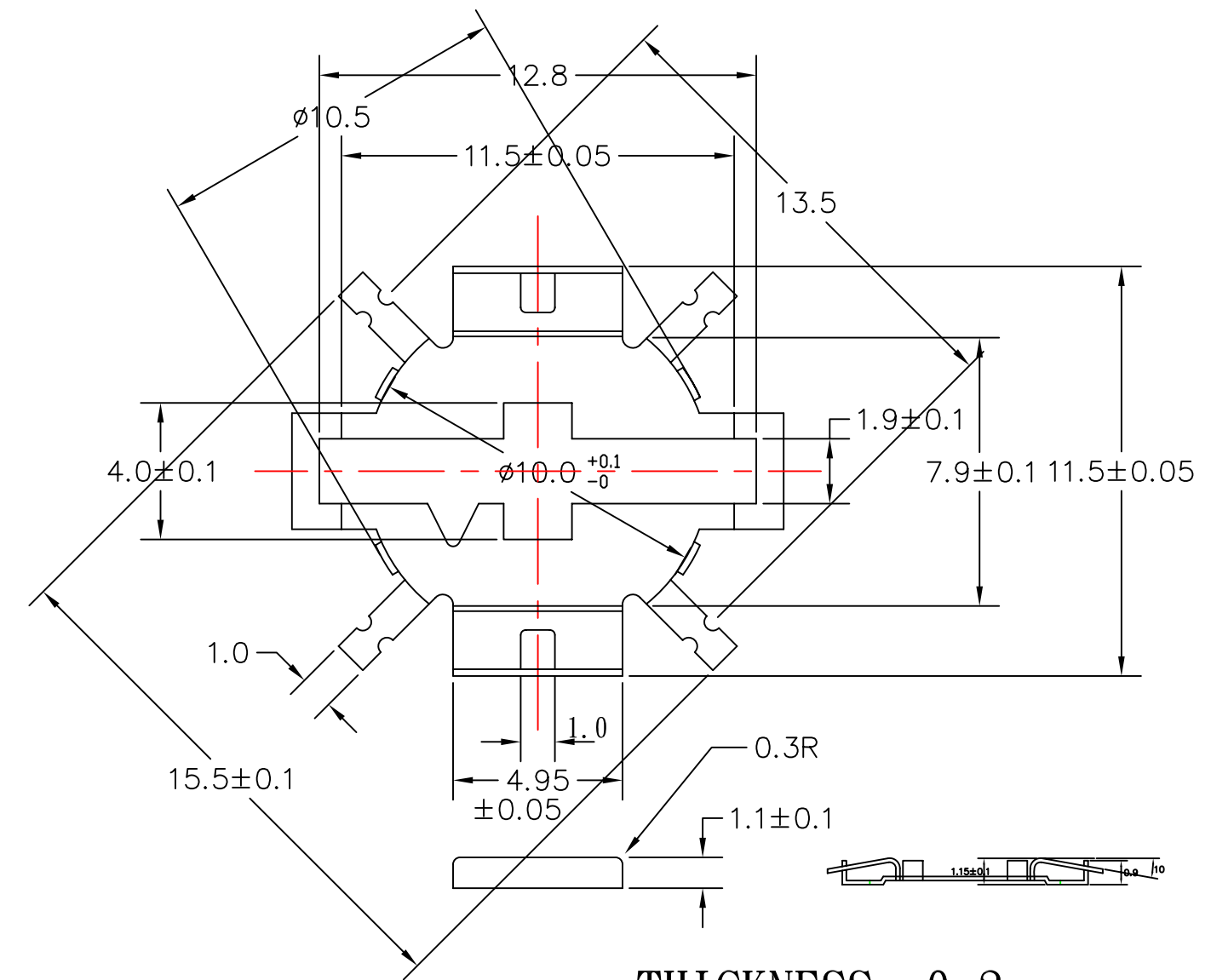
電鍍方式: 鎳底50u"亮錫120u"

台速工業股份有限公司		FILE NAME	BM-077-2	
BOBBIN MASTER INDUSTRIAL CO;LTD.		MODEL NAME	FOR 124 125 127	
TEL:(886 2) 2694-3199		MATERIAL		
FAX:(886 2) 2694-0947		PIN MATERIAL	NICKEL BRONZE PHOSPHOR BRONZE	
REV	00	TOLERANCE	UL REC.	UNIT
		X. 0.15	UL 94V-0	m m
		X.X 0.1		

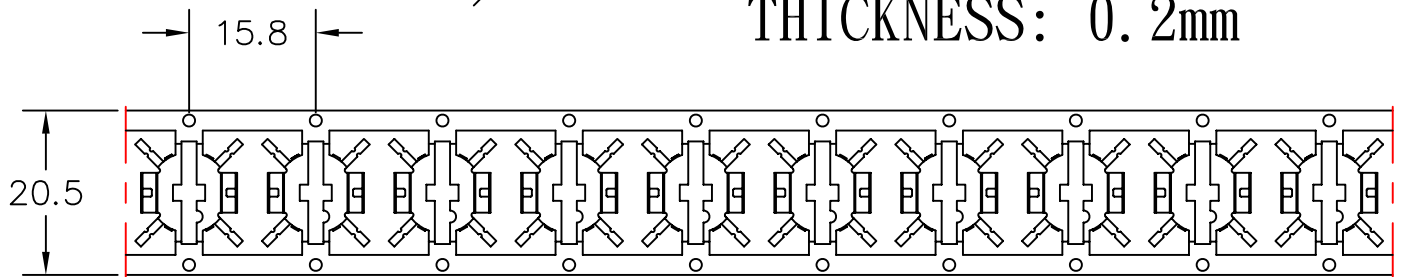


THICKNESS: 0.2 mm 紅銅 H

台速工業股份有限公司		FILE NAME	BM-077-3	
BOBBIN MASTER INDUSTRIAL CO;LTD.		MODEL NAME	FOR 124 125 127	
TEL:(886 2) 2694-3199		電鍍方式	半面電鍍鍍底40u''亮錫120u''	
FAX:(886 2) 2694-0947		PIN MATERIAL	PHOSPHOR BRONZE	
REV 00		TOLERANCE	UL REC.	UNIT
		X. 0.15	UL 94V-0	m m
		X.X 0.1		

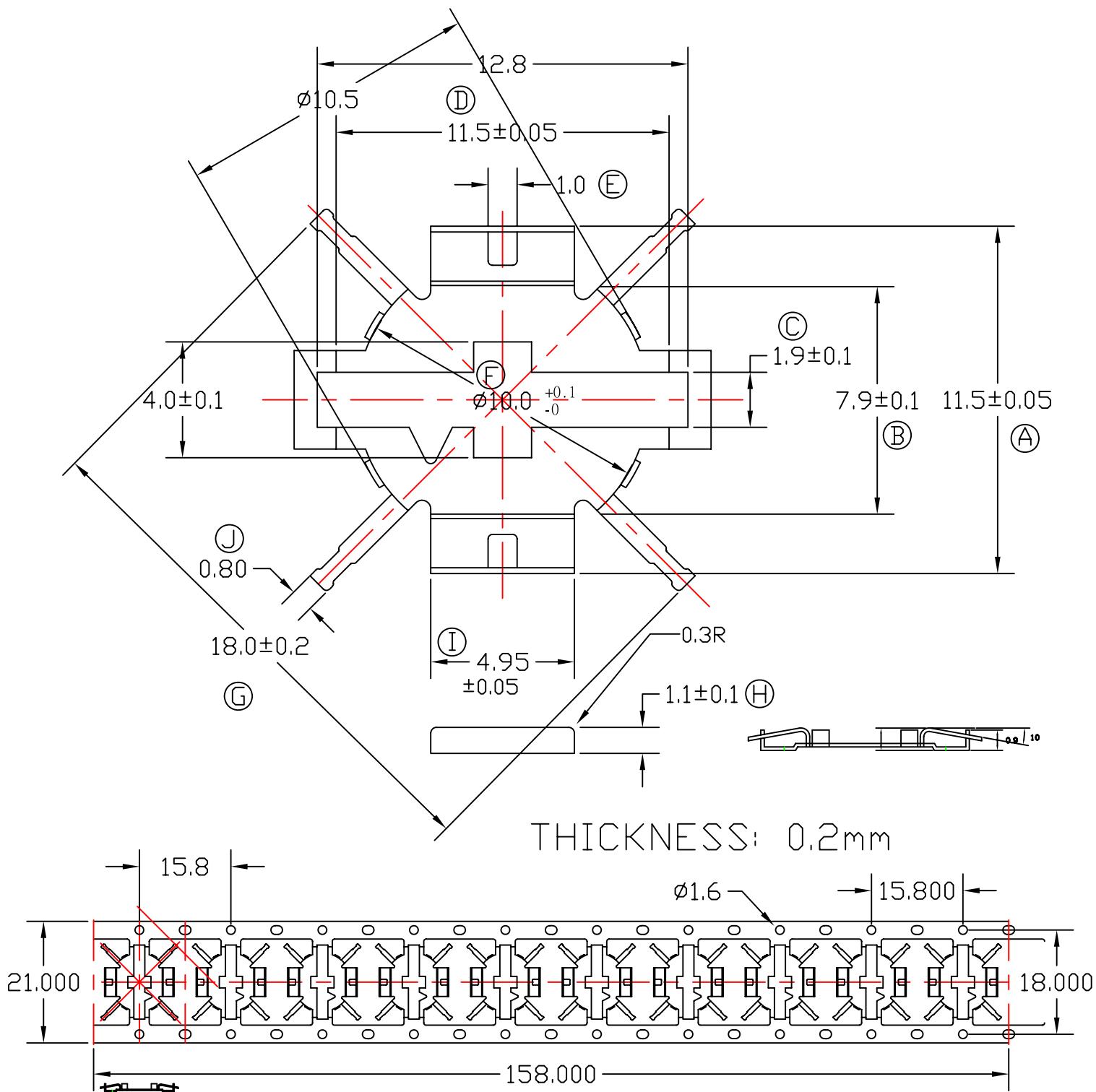


THICKNESS: 0.2mm



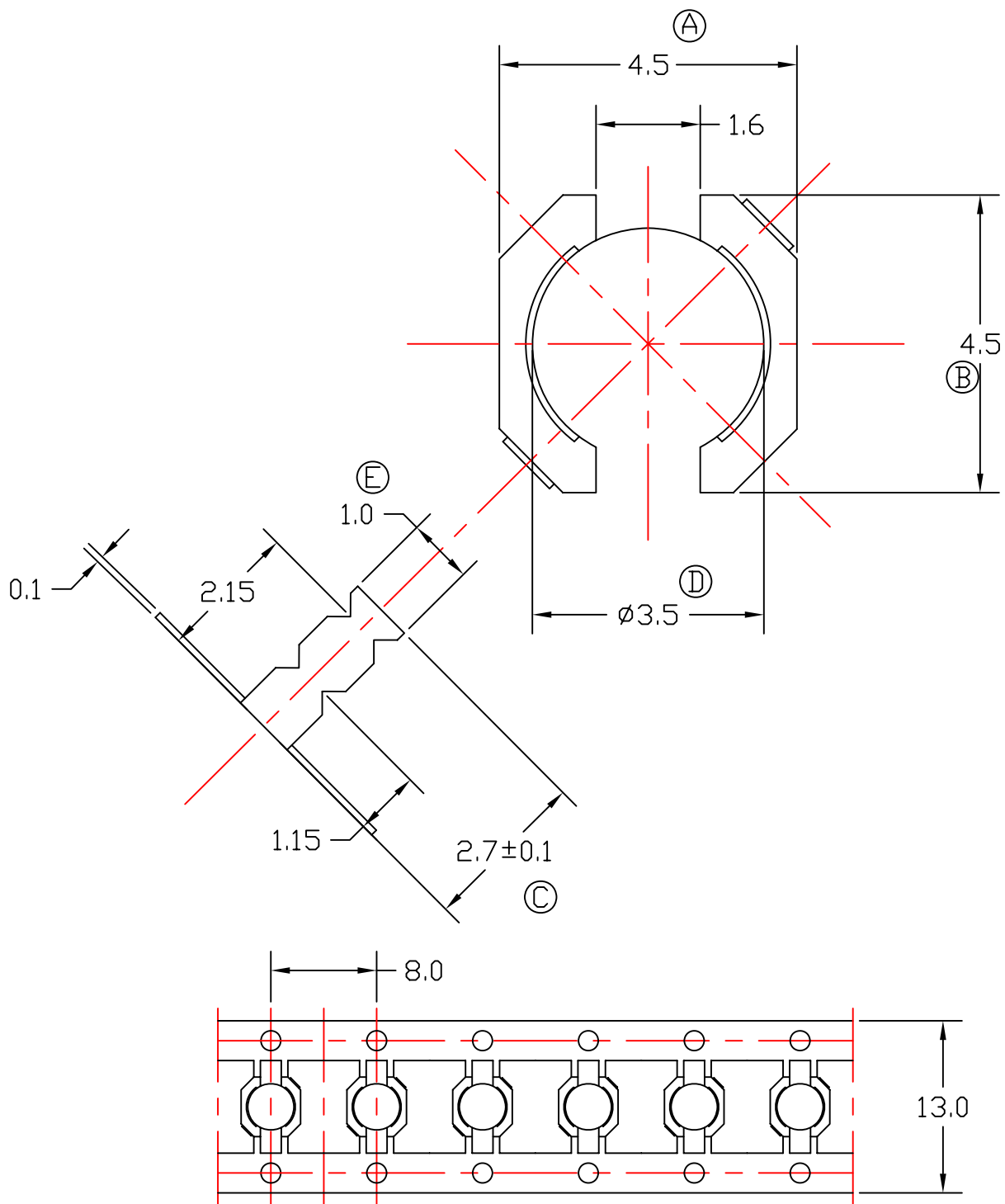
電鍍方式: 鍍底50u"亮錫120u"

台速工業股份有限公司			FILE NAME	BM-077-5(SDE 007B)	
BOBBIN MASTER INDUSTRIAL CO;LTD.			MODEL NAME	FOR 124 125 127	
TEL:(886 2) 2694-3199			MATERIAL		
FAX:(886 2) 2694-0947			PIN MATERIAL	PHOSPHOR BRONZE	
REV 00			TOLERANCE	UL REC.	UNIT
			X. 0.15	UL 94V-0	m m
			X.X 0.1		



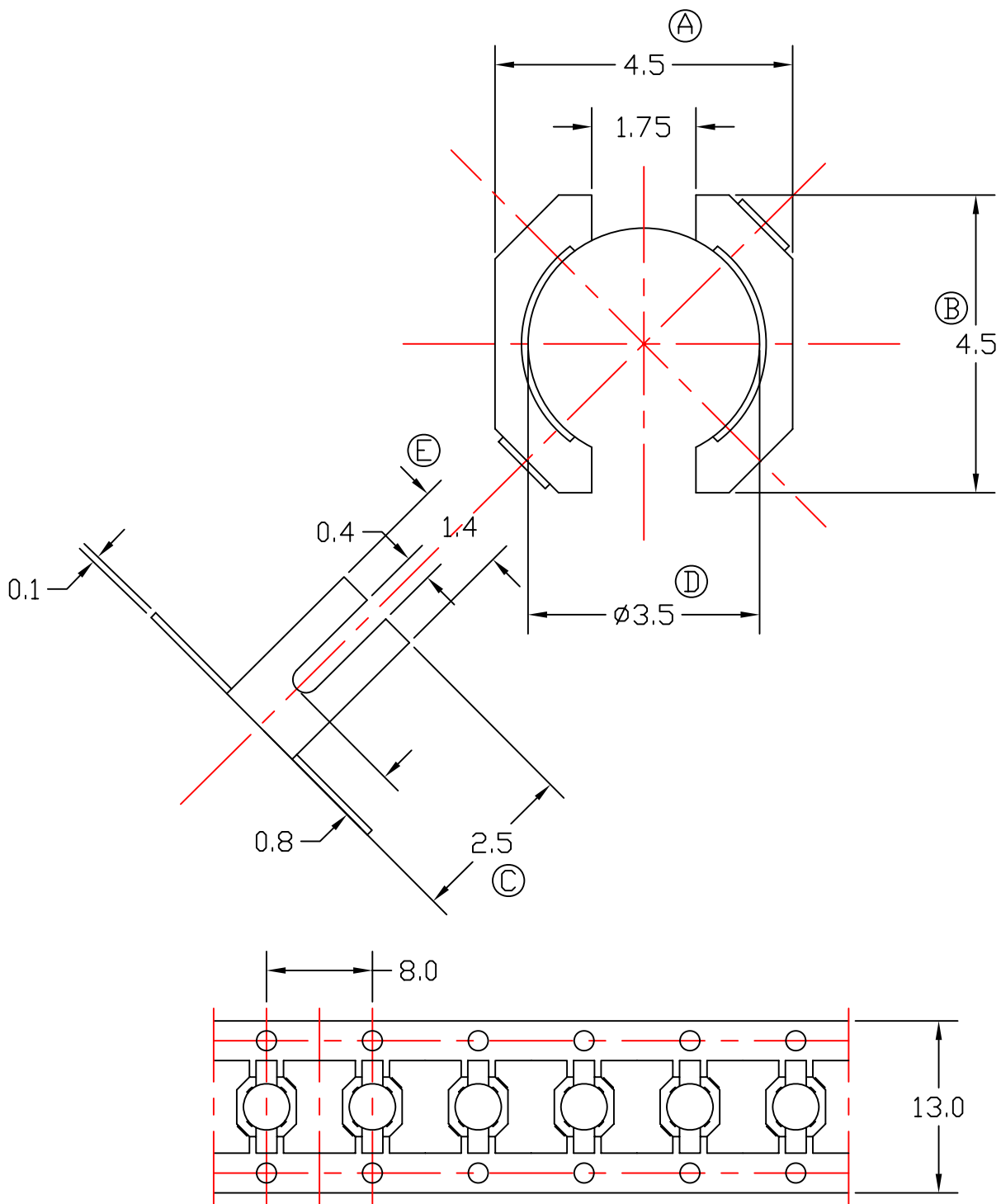
電鍍方式: 鍍底50u"亮錫120u"

台速工業股份有限公司			FILE NAME		BM-077-6(SDE 007B)
BOBBIN MASTER INDUSTRIAL CO;LTD.			MODEL NAME		FOR 124 125 127
TEL:(886 2) 2694-3199			MATERIAL		
FAX:(886 2) 2694-0947			PIN MATERIAL		PHOSPHOR BRONZE
REV			TOLERANCE		UL REC. UNIT
00			±0.15		UL 94V-0 m m



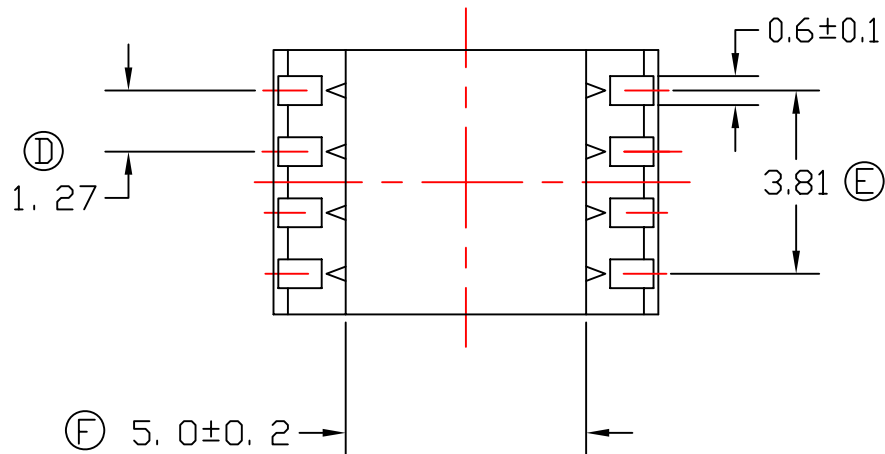
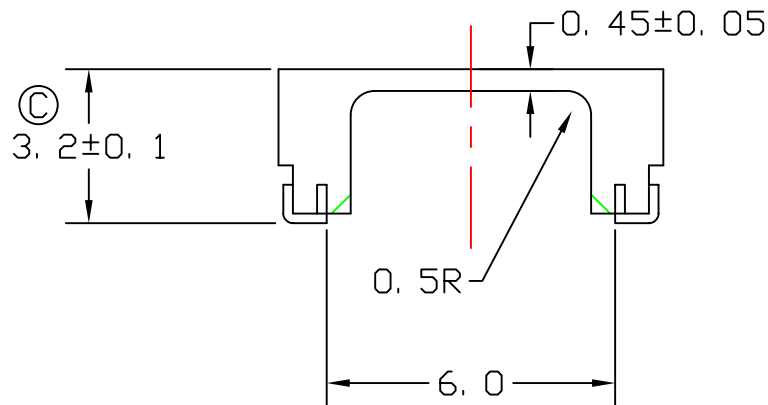
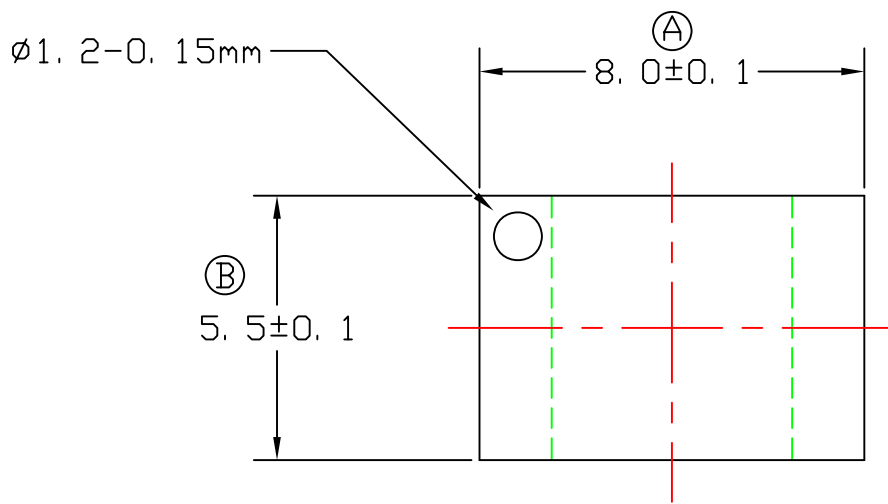
1. THICKNESS: 0.15mm
2. MATERIAL PHOSPHOR PLATING GOLD

台速工業股份有限公司		FILE NAME	BM-079	
BOBBIN MASTER INDUSTRIAL CO;LTD.		MODEL NAME	FOR 4D 18 28	
TEL:(886 2) 2694-3199		MATERIAL		
FAX:(886 2) 2694-0947		PIN MATERIAL	NICKEL BRONZE PHOSPHOR BRONZE	
REV 00		TOLERANCE	UL REC.	UNIT
		X. 0.15 X.X 0.1	UL 94V-0	m m

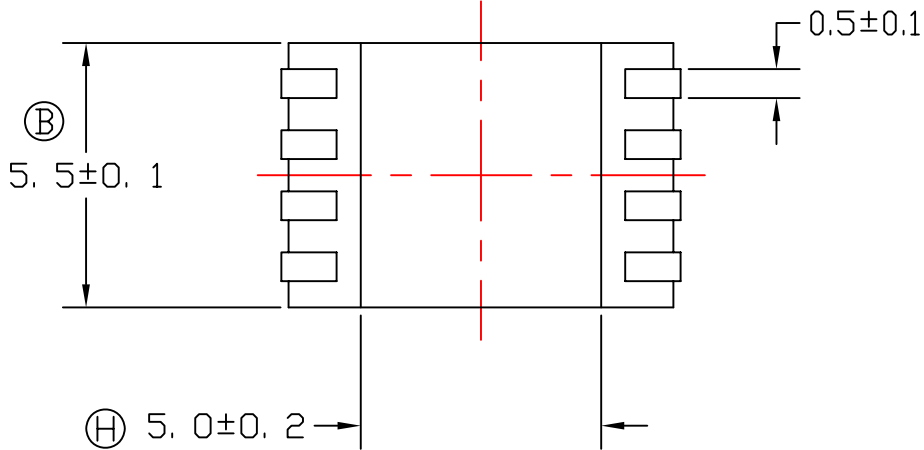
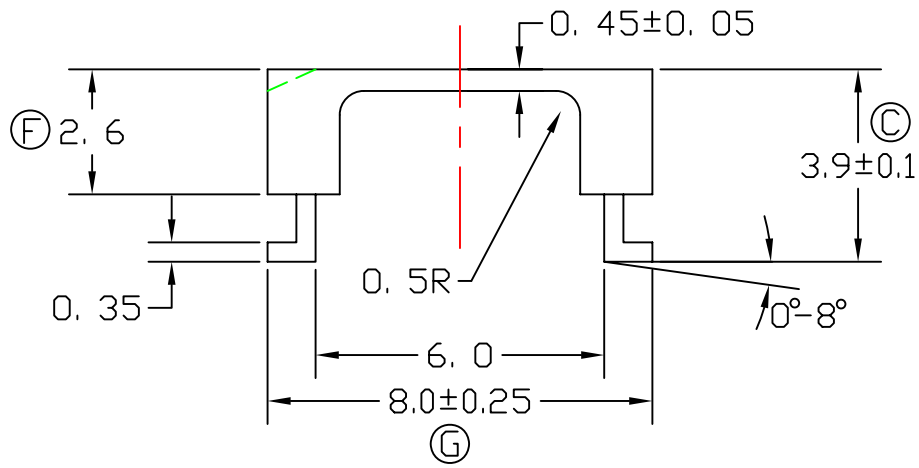
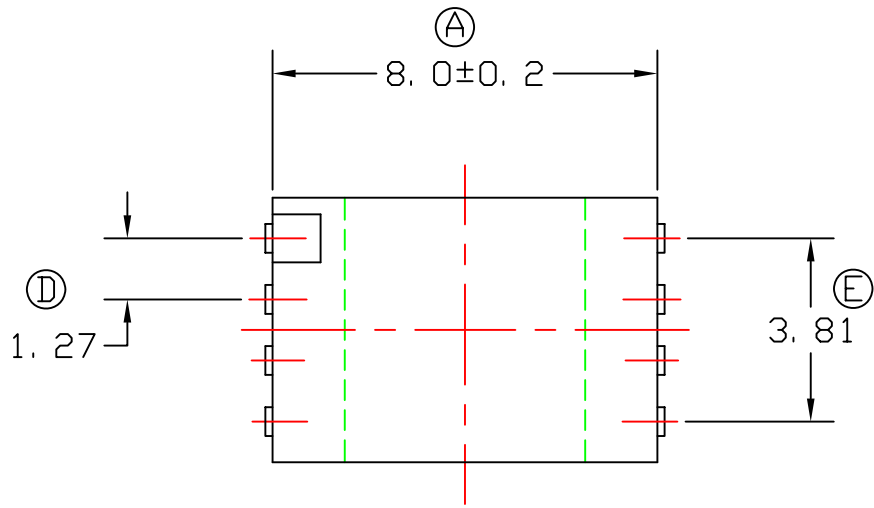


1. THICKNESS: 0.15mm
2. MATERIAL PHOSPHOR PLATING GOLD

台速工業股份有限公司		FILE NAME	BM-079-1	
BOBBIN MASTER INDUSTRIAL CO;LTD.		MODEL NAME	FOR 4D 18 28	
TEL:(886 2) 2694-3199		MATERIAL		
FAX:(886 2) 2694-0947		PIN MATERIAL	NICKEL BRONZE PHOSPHOR BRONZE	
REV 00		TOLERANCE	UL REC.	UNIT
		X. 0.15 X.X 0.1	UL 94V-0	m m



台速工股份有限公司	FILE NAME	BM-081
BOBBIN MASTER INDUSTRIAL CO;LTD.	MODEL NAME	
TEL: (886 2) 26943199	MATERIAL	L.C.P
FAX: (886 2) 26940947	PIN MATERIAL	NICKEL BRONZE
REV 00	TOLERANCE	UL REC.
	X. 0.15 X.X 0.1	UL 94V-0



台速工股份有限公司	FILE NAME	BM-081-1	
BOBBIN MASTER INDUSTRIAL CO;LTD.	MODEL NAME		
TEL: (886 2) 26943199	MATERIAL	L.C.P	
FAX: (886 2) 26940947	PIN MATERIAL	NICKEL BRONZE	
REV 00	TOLERANCE	UL REC.	UNIT
	X. 0.15 X.X 0.1	UL 94V-0	m m