



# Product Information

## CASSETTE SEALS



## Reliable sealing in severe conditions

**WSI cassette seals deliver durable sealing reliability in demanding applications. These complex rotary seals are used in harsh environments under extreme operating conditions to shield and exclude contaminants such as wash down spray on gear reducers used in food processing, and environmental debris common in mining, agriculture and power generation equipment.**

**Cassette seals feature multiple sealing contact points with the advantages of a fully incorporated, unitized design. Sealing elements ride on an internal sealing surface. This minimizes shaft finish requirements and eliminates shaft grooving.**



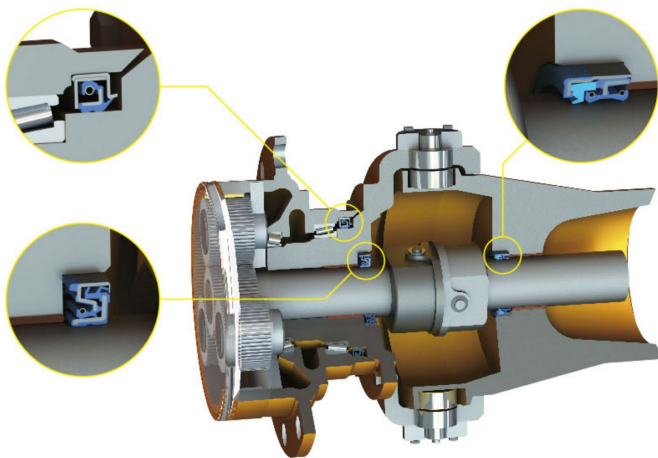
## Up to 50% longer service life and 20% less friction

**To see how the new generation WSI seals for oil-lubricated applications compare to conventional cassette seal designs, WSI conducted a punishing series of performance tests. The results speak for themselves: WSI new generation seals lasted up to 50% longer and operated with up to 20% less friction than the competitor's seal. Yet WSI seals also offered superior oil retention and contamination exclusion in the harshest, most contaminated conditions. For end-users, the extended service life and superior performance means less unplanned downtime and maintenance, and more time for productive, profitable activities. For OEMs, the boost in service life and reliability means a competitive market advantage and fewer warranty issues.**



## Standard & Custom Designs

WSI offers standard as well as custom cassette seal designs. Operating conditions and severity of the environment will dictate which design will meet your needs. Custom designs featuring additional or alternate sealing or exclusion contact points may be engineered for special conditions such as high misalignment, pressure or axial movement.



## Experienced Design Engineering

For custom designs, WSI's experienced design engineering team can work with you to design a custom cassette seal which meets your application needs and unique sealing objectives. Contact WSI Customer Service representatives at 886-4-8651759 for size and availability on standard designs or to request custom design engineering assistance.



**WELL OIL SEAL INDUSTRIAL CO., LTD**

ISO 9001 : 2008

Website: [www.wsioilseal.com.tw](http://www.wsioilseal.com.tw)

E-mail: [sales@wsioilseal.com.tw](mailto:sales@wsioilseal.com.tw)

Tel: +886-4-8651759

Fax: +886-4-8652883

