

CROWNING[®] CE

冠元機械工業股份有限公司



C3-201

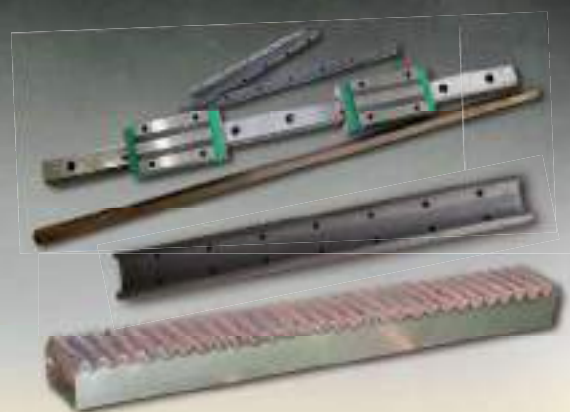


高壓力精密機械伺服閥32L
High - pressure precision mechanical servo valve

高精度油壓伺服整形、校直、校正機
High-Precision Hydraulic Servo Shaping ,
Straightening & Calibrating Machines



滾珠螺桿、棒管類整直樣品
Straightened Sample of
Ballscrew, Rods and Pipes



線軌、板類整直樣品
linear rail, Straightened Sample of Plates



冠元機械CROWNING成立於1979年，我們專業生產高精度油壓伺服整直、校直、校正機，多年來持續投入設備研發與改良工作及不斷提升新技術；校直機採手動、半自動及全自動之設計製造，且精度及生產效率極佳，使操作方式更具人性化。

隨著機械系統對高精密化的要求提昇，設備開發商對系統零組件的精度要求也越來越嚴格，加工精良的組件是高精度機械系統的基礎，良好的基礎元件可使工件達到最少的研磨量及精密加工設備的開發週期。而滾珠螺桿、棒管類、軸心類、齒輪心軸、馬達心軸、線軌、排齒、板類、汽機車傳動桿、U形軌等是機械工業最常見的工件之一。據不完全的統計，國內年產這些組件的數量約為1億件左右，需要經過校直的約占70%，因應社會需求製造出“棒管及螺桿類手動校直機”、“板類手動校直機”，而隨著科技的自動化發展，我們也陸續研發出“半自動校直機”及“全自動校直機”。

冠元秉持著『誠信、品質、卓越、積極』的態度來服務每一個客戶，我們以專業技術來製造更好品質，更具競爭力的油壓伺服校直機械設備，期以更好的設備來滿足客戶之需求，這是我公司堅持發展的宗旨。相信本公司的機器對產業上生產力的提昇有極大幫助，及降低機器於製造生產成本上有很大的經濟效益，與客戶一起成長茁壯，共創雙贏的未來。

Crowning was established in 1979. We specialize in manufacture of high precision hydraulic servo straightening, straight aligning, aligning Machine. For years we continue our effort on the R&D of the equipment, improving work flow and innovating new technology. Straightening machine are designed and manufactured to be manual, semi-automatic and full automaticity to improve production efficiency and precision. It also make machine operation more ergonomic.

With increasing requirements of high-precision machinery systems, the demands of equipment developers for precision of system components is stricter and stricter. Precision-processed components are the basis of high-precision mechanical systems, and well-manufactured basic elements cause minimum grinding for workpieces and development period of precision processing equipment. Each screw, rod, spindle, gear spindle, motor spindle, linear rail, plate, automotive and motor dowel, U rail is one of common workpiece. According to incomplete statistics, the annual yield of these components is about 100 million in Taiwan, and about 70% of them should be straightened. Based on the requirements, the Manual Rod and Screw Straightening Machines and Manual Plate Straightening Machines are designed and produced.

Crowning holds a "honesty, trustworthy, quality, excellency, and positivity" attitude towards serving all our customers. We use our expertise to produce higher quality and more competitive hydraulic servo straightening equipment. We produce better equipment to satisfy the needs of our customer, These are all missions our company insists on. We believe our machines have greatly help the productivity of the industry and increase economic efficiency by lowering machine cost in manufacturing and production. We aim to grow with our customers so to create a future of win win situations.



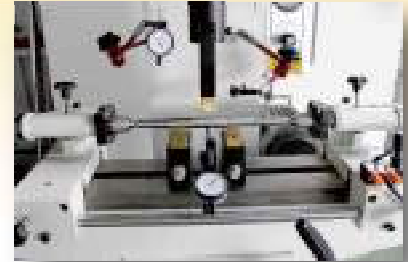
▲ CE國際認證





校直工件案例 Example of case

各式工件校直，可依各工件需求作更動
All kinds of straight, can be changed
according to the needs of the work piece.



C1-181 手動校直機(棒管類) C1-181 Manual Straightening Machine

適用範圍：滾珠螺桿、棒管類
Application : Ballscrew, rod, spindle

C1-181小型校直機。
C1-181 Small Straightening Machine.

※棒材類校直精度最高可達0.01mm。
(視工件情況而定)

The straightening precise is allowed 0.01mm
precision (depending on workpiece).

規格項目(Item)

可校材質 Can Working Material	可校直徑 Can Working Diameter	可校長度 Can Working Length	馬達輸出 Motor output	出力噸位 Output Tonnage
S45C	Ø16mm以下(below)	60mm~350mm	1HP0.75KW~ 2HP1.5KW	5T、10T、15T



C1-101 手動校直機(棒管類) C1-101 Manual Straightening Machine

適用範圍：滾珠螺桿、棒管類
Application : Ballscrew, rod, spindle

C1-101可因客戶需求，機台可由手動改成半自動、人機整合式校直機。
For customers' need, C1-101 straightening machine can be changed from manual to semi-automatic or human-machine integration mode.

※棒材類校直精度最高可達0.01mm。
(視工件情況而定)
※The straightening precise is allowed 0.01mm precision (depending on workpiece).

規格項目(Item)

可校材質 Can Working Material	可校直徑 Can Working Diameter	可校長度 Can Working Length	馬達輸出 Motor output	出力噸位 Output Tonnage
S45C	Ø35mm以下(below)	80mm~450mm (可追加至3m) (Length can be added to 3m)	3HP2.2KW~ 5HP3.7KW	30T



C1-101L 手動校直機(板類) C1-101L Manual Straightening Machine 附有折射鏡、燈光 (Having reflector instead and lamp)

適用範圍：線軌、板類、U形軌
linear rail, plate, U rail

本公司板類校直機則是採用折射鏡做檢測，可用目視就能看出工件的彎曲度，不用厚薄規，且最佳平整度可達0.02mm以下。
The plate straightening machine supports the inspection with a reflector instead of a feeler gauge so that the operator can perform the visual inspection for the curvature of workpiece without a feeler gauge. The machine allowed 0.02 flat.

規格項目(Item)

可校材質 Can Working Material	可校厚度 Can Working Thickness	可校寬度 Can Working Width	可校長度 Can Working Length	馬達輸出 Motor output	出力噸位 Output Tonnage
S45C	35mm	35mm	2100mm (可追加至4.1m) (Length can be added to 4.1m)	3HP2.2KW~ 5HP3.7KW	30T



C1-201 手動校直機(棒管類)
C1-201 Manual Straightening Machine

適用範圍：滾珠螺桿、棒管類
Application : Ballscrew, rod, spindle

C1-201可因客戶需求，機台可由手動改成半自動、人機整合式及自動校直機，自動機型板類除外。
For customers' need, C1-201 straightening machine can be changed from manual to semi-automatic or human-machine integration mode except for plates of automatic straightening machines.

※棒材類校直精度最高可達0.01mm。
(視工件情況而定)
※The straightening precise is allowed 0.01mm precision (depending on workpiece).

規格項目(Item)

可校材質 Can Working Material	可校直徑 Can Working Diameter	可校長度 Can Working Length	馬達輸出 Motor output	出力噸位 Output Tonnage
S45C	Ø60mm以下(below)	100mm~1200mm (可追加至3m~6m) (Length can be added to 3m~6m)	7.5HP5.5KW	60T

C1-201L 手動校直機(板類)
C1-201 Manual Straightening Machine
(附有折射鏡、燈光)
(Having reflector instead and lamp)

適用範圍：線軌、板類、U形軌
linear rail, plate, U rail



本公司板類校直機則是採用折射鏡做檢測，可用目視就能看出工件的彎曲度，不用厚薄規，且最佳平整度可達0.02mm以下。
The plate straightening machine supports the inspection with a reflector instead of a feeler gauge so that the operator can perform the visual inspection for the curvature of workpiece without a feeler gauge. The machine allowed 0.02 flat.

規格項目(Item)

可校材質 Can Working Material	可校厚度 Can Working Thickness	可校寬度 Can Working Width	可校長度 Can Working Length	馬達輸出 Motor output	出力噸位 Output Tonnage
S45C	60mm	60mm	100mm~4100mm	7.5HP5.5KW	40T、60T

C1-301 手動校直機(棒管類) C1-301 Manual Straightening Machine

適用範圍：滾珠螺桿、棒管類
Application : Ballscrew, rod, spindle

※棒材類校直精度最高可達0.01mm。
(視工件情況而定)
※The straightening precise is allowed 0.01mm
precision (depending on workpiece).

C1-301可因客戶需求，機台可由手動
改成半自動、人機整合式校直機。
For customers' need, C1-301
straightening machine can be
changed from manual to semi-auto-
matic or human-machine integration
mode.



規格項目(Item)

可校材質 Can Working Material	可校直徑 Can Working Diameter	可校長度 Can Working Length	馬達輸出 Motor output	出力噸位 Output Tonnage
S45C	Ø120mm	300mm~1500mm (可追加至3m、6m、10m) (Length can be added to 3m, 6m, 10m)	10HP7.5KW~ 15HP11KW	80T、140T、200T

C1-301L 手動校直機(板類) C1-301 Manual Straightening Machine (附有折射鏡、燈光) (Having reflector instead and lamp)

適用範圍：線軌、板類、U形軌
linear rail, plate, U rail

此圖為301樣式，平台為無折射鏡和燈光
This picture is a 301 model, the platform isn't
have reflector instead and lamp.

本公司板類校直機則是採用折射鏡做檢
測，可用目視就能看出工件的彎曲度，
不用厚薄規，且最佳平整度可達
0.02mm以下。
The plate straightening machine
supports the inspection with a reflector
instead of a feeler gauge so that the
operator can perform the visual inspec-
tion for the curvature of workpiece
without a feeler gauge. The machine
allowed 0.02 flat.



規格項目(Item)

可校材質 Can Working Material	可校厚度 Can Working Thickness	可校寬度 Can Working Width	可校長度 Can Working Length	馬達輸出 Motor output	出力噸位 Output Tonnage
S45C	100mm	100mm	2100mm~6100mm	10HP7.5KW~ 15HP11KW	80T、140T、200T



C3-201 自動校直機(棒管類)
C3-201 Automatic Straightening Machine

適用範圍：滾珠螺桿、棒管類
Application : Ballscrew, rod, spindle

本機可追加自動送料機(僅限螺桿、棒管類)
An optional automatic material feeding module can be added to this machine (screws, rods and pipes only).

C3-201 自動校直機，適用精密螺桿校直、傳動心軸及管類的整形校直等作業，精準度高、功能齊全且操作簡便。

C3-201 automatic straightening machine for precision screw alignment, shaping mandrel driving straighten and a straight tube type and other operations, high accuracy, fully functional and easy to operate.

※校直精度最高可達0.03mm以下。
The straightening precise is allowed 0.03mm (below) precision (depending on workpiece).



自動送料機

Automatic Material Feeding Machine

機械手搭配三層式排料架，分別為：第一層待校直工件；第二層校直完成OK工件；第三層校直NG工件。

備註：僅限C1-101、C1-201螺桿及棒管類。

Robotic arms with three-level material exhausting stands are optional to meet customers' need.

Remarks: Only for C1-101, C1-201 screws, rods and pipes.

規格項目(Item)

可校材質 Can Working Material	S45C
可校直徑 Can Working Diameter	Ø50mm以下(below)
可校長度 Can Working Length	1200mm
馬達輸出 Motor output	7.5HP5.5KW
出力噸位 Output Tonnage	60T

滑塊研磨機 Slider Grinding Machine

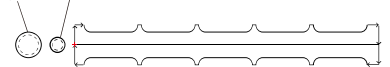


CK-HG 滑塊自動研磨機(標準機) Automatic Slider Grinding Machine

本機採自動成形研磨法
(直線及R角)。
The machine adopts automatic
sharpening grinding method for
straight line and radius angle.

**已申請專利研磨法
The grinding method has
applied for a patent.**

洗砂器 主軸砂輪



CK-1.2M 微型線軌、微型滑塊研磨機(客製化) Micro-linear Rail and Micro-slider Grinding Machine(Customized)

CK-3M 大型線軌研磨機整合式共十軸(客製化) Integration Type Large Linear Rail Grinding Machine with 10 Spindles(Customized)



各式客製化校直機

Each Kinds of Customized Straightening Machine



C1-101C

人機數控ABC線軌板類校直機

(Human-machine Digital-control ABC Linear Rail and Plate Straightening Machine)

C1-201WS U型軌校直機 (U Shape Rail Straightening Machine)

採人機數控追加ABC及手動式切換·擁有高低點切換功能·精度可達0.01mm。

The machine adopts human-machine digital control and additional ABC and manual switches. It supports switching function at the high/low point, and allowed 0.01mm precision.



C1-301C 線軌及板類校直機 (Linear Rail and Plate Straightening Machine)

此機採ABC按壓式人機數控校直機。

It adopts ABC push-type human-machine digital-control straightening machine.



C1-301C(200T) 精密排齒校直機 Precise Rack Gear Straightening Machine

採ABC按鍵及腳踏。

It adopts ABC button and foot pedal.

各式客製化校直機

Each Kinds of Customized Straightening Machine



C1-201WS (60T) **整合式(Integration Type)**

採人工上下料數控校直機·可切換手動校直。
It adopts manual material loading/unloading straightening machine, and supports to switch the manual straightening.

C1-201L

4.1長純手動板類校直機 **(4.1-meter-Length Manual Plate Straightening Machine)**

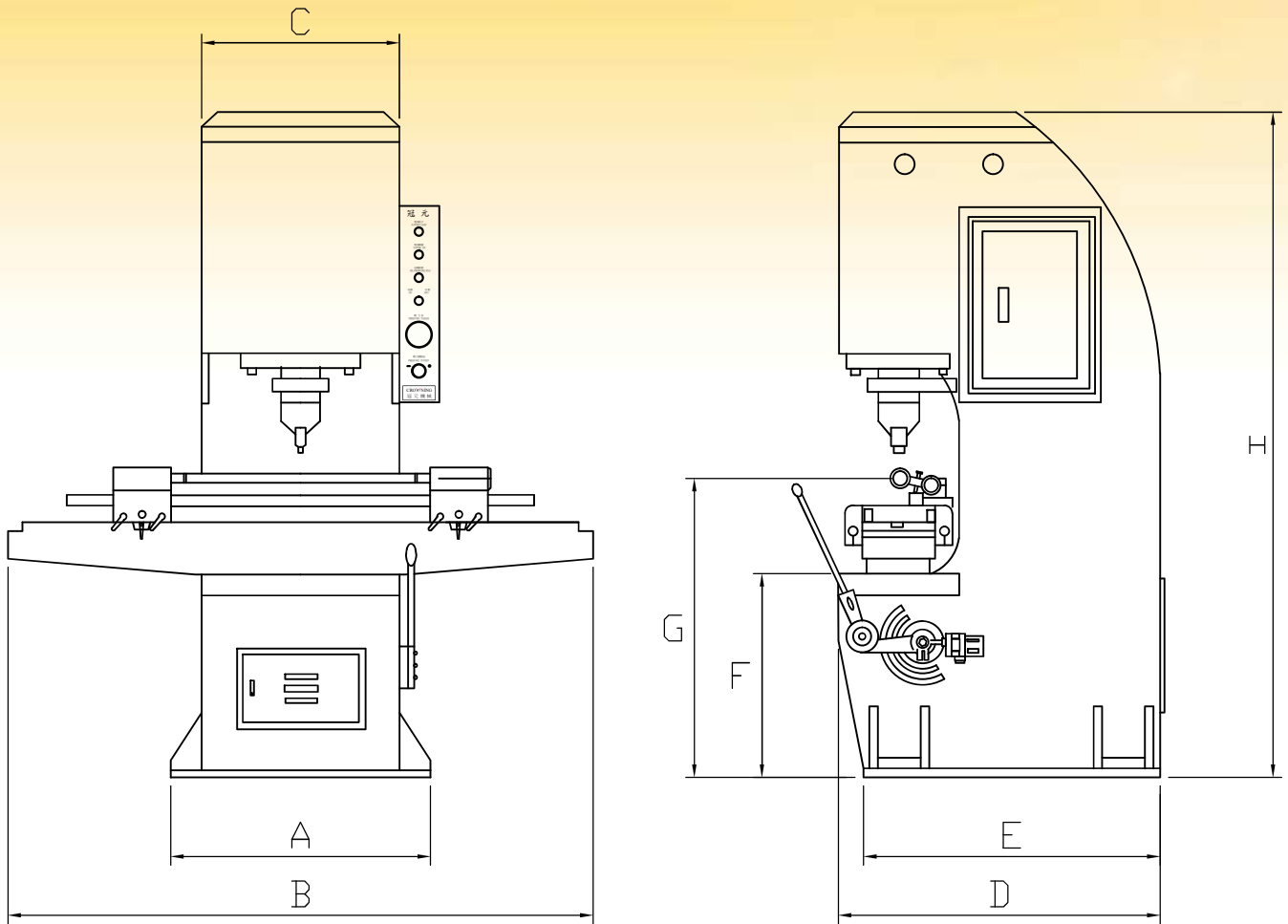
免用厚薄規·採折射鏡·方便校直無盲點。
It adopts a reflector instead of a feeler gauge so that it is easy to straighten without any blind spot.



C1-101C (30T) **4.1m長人機數控線性及板類校直機** **(4.1-meter-Length Human-machine Digital-control Linear and Plate Straightening Machine)**

1. 可連動壓
 2. 可點壓
 3. 可直接目視·點壓模式1、2、3不同深度
1. Support coupled pushing
 2. Support point pushing
 3. Support visual inspection and different depth in point pushing mode 1, 2, and 3.

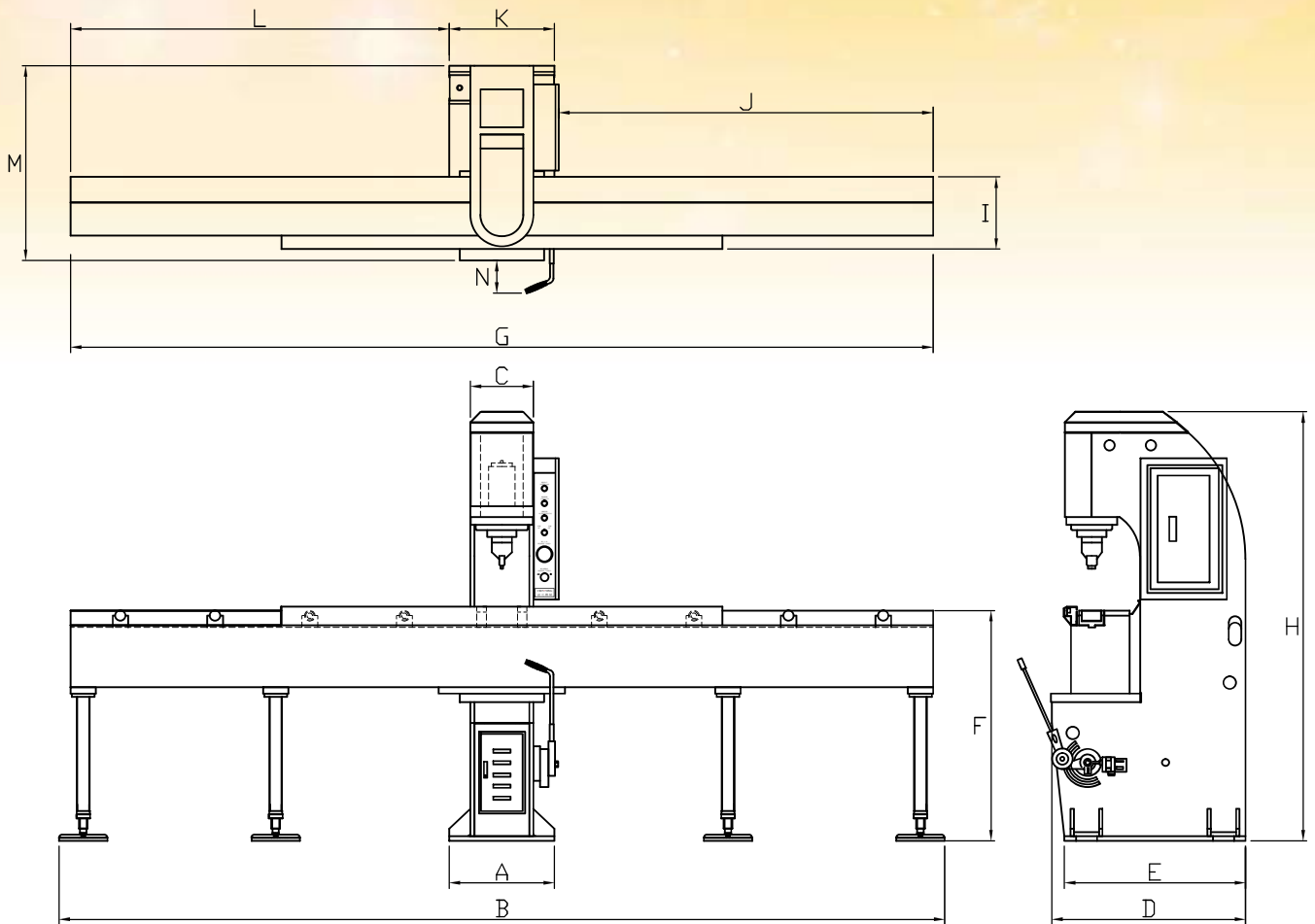
校直機尺寸 Straightening Machine Dimensions



螺桿類、棒管類校直機

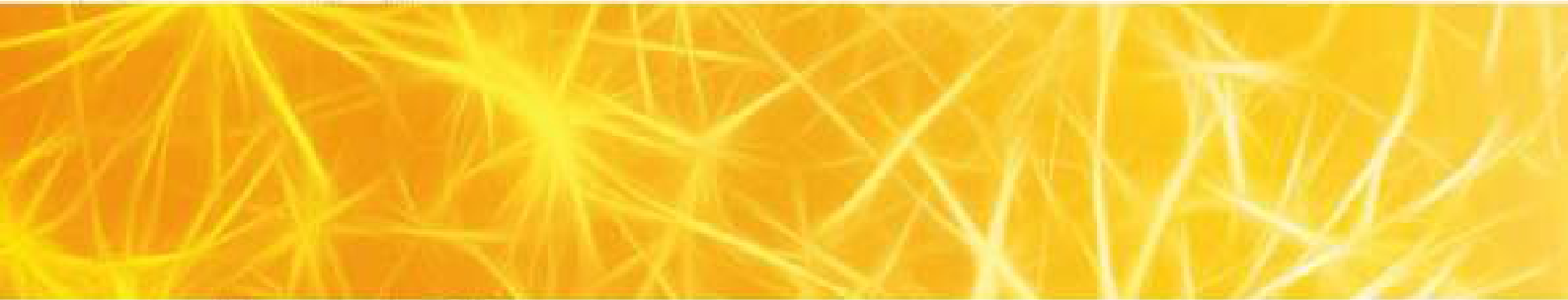
Straightening Machine for Ballscrew, Rod, Spindle

Model (mm)	A	B	C	D	E	F	G	H	可校	加長座
C1-181-5T/10T	430	1010	235	620	560	650	1000	1660	550	250*2
C1-101-30T	510	1610	310	860	800	705	1100	2060	3000	2500*2
C1-201-60T	700	2510	500	1260	1010	705	1100	2200	3000	1800*2
C1-301-140T	800	3000	1350	1450	1350	705	1120	2230	3000	2500*2



螺桿類、棒管類校直機
Straightening Machine for Plate

Model (mm)	A	B	C	D	E	F	G	H	I	J	K	L	M	N
C1-101-30T	510	4210	300	920	860	1095	4100	2060	312	1780	500	1700	810	155
C1-201-60T	700	4210	500	1120	1010	1095	4100	2200	312	1680	700	1800	1000	155
C1-301-140T	800	5210	600	1450	1350	1095	5100	2230	360	2150	800	2150	1450	155



Tel : +886-49-2300789

Fax : +886-49-2300682

E-mail : crown.ace@msa.hinet.net

南投縣草屯鎮芬草路三段171巷17號

No.17 , Lane171 , Fentsao Rd. , Sec.3 , Tsaotun Town ,
Nantou County , Taiwan (R.O.C.)

