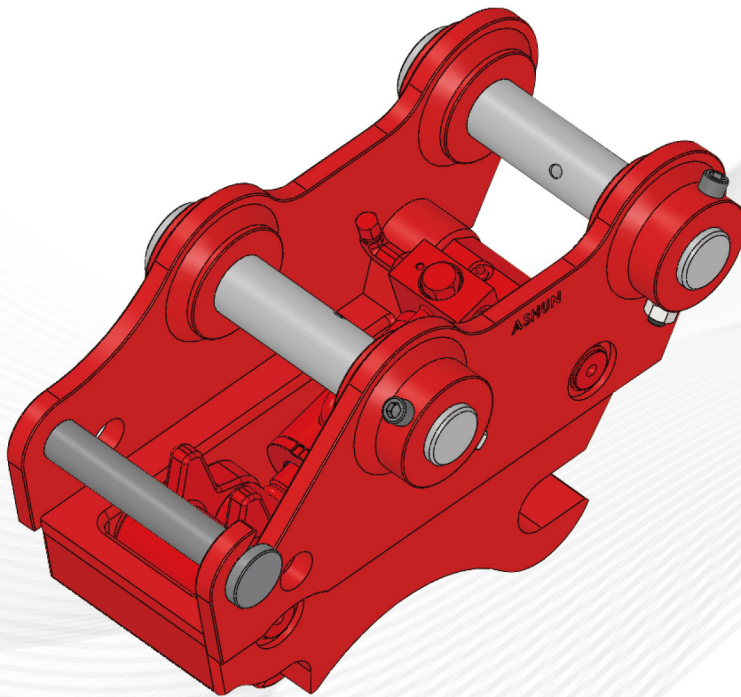


ASHUN

Automatic Quick Couplers

自動快速換斗器



September, 2019

油順精密股份有限公司
ASHUN FLUID POWER CO., LTD.

www.ashun.com

自動快速換斗器是一種便利的配件且廣泛應用於各種工業，可快速更換機器上的鏟斗和內容物。它們通常不具有特定的功能，因為它們不執行處理或挖掘操作，但當安裝在機器上時它們成為整個系統的重要部分。

油順自動快速換斗器取代傳統的手動式和半自動型，適用於不同尺寸的機器，安裝在液壓系統上，內部設備採用安全設計，確保操作人員安全。

產品特性

1、雙安全鎖

1-1、安裝插式關於油壓缸。

1-2、安裝安全插銷於自動快速換斗器。

當油管意外破裂導致壓力損失時，仍可避免快速換斗器掉落使操作者受傷。

2、油壓缸壽命長，安全係數高

2-1、焊接位置採用高張力焊線且全自動焊接，嚴格管控以確保品質。

2-2、軸心使用SCM440合金鋼加表面硬化處理，表面硬度達HRC60，耐嚴苛的作業環境且使用壽命長。

2-3、耐高壓密封件壓力達5000psi，耐嚴苛的作業環境且使用壽命長。

3、使用壽命長

本體及夾頭均採用100kg等級的調質高張力鋼，硬度達HRC43，長時間使用不易磨損及變形。

4、插銷定位佳

本體以高精密加工機製造，孔位與公差正確，確保零件最佳的互換性。

Automatic quick coupler is a kind of convenient accessories and widely applied, they are used with all kinds of industry to allow the rapid change of buckets and attachments on the machines. They do not normally have a specific function themselves and do not carry out handling or digging operations, but when they are installed on the machines, will become one of important parts at the overall systems.

ASHUN automatic quick couplers replace traditional manual types and semi-automatic types, they are suitable for different sizes of machines, which are installed on the hydraulic systems and have safety design for internal device to assure operators safety.

Features

1. Double safety locks

1-1. Install the cartridge valves in the hydraulic cylinders.

1-2. Install the safety pins in the automatic quick couplers.

Once the oil pipes are broken accidentally and cause pressure loss, the operators can be prevented from being injured by the falling of the quick couplers.

2. Long service life and high safety factors of the hydraulic cylinders

2-1. Hydraulic cylinders are welded with high tensile welding wire and fully automatic welding, which can control welding conditions strictly to assure the quality.

2-2. The piston rods of hydraulic cylinders are made of alloy steel, SCM440, and it is surface hardening, which can be up to HRC60. Hence, they can resist to harsh working environments and keep long service life.

2-3. The seals of hydraulic cylinders with high pressures can be up to 5000psi, which can resist to harsh working environments and keep long service life.

3. Long service life

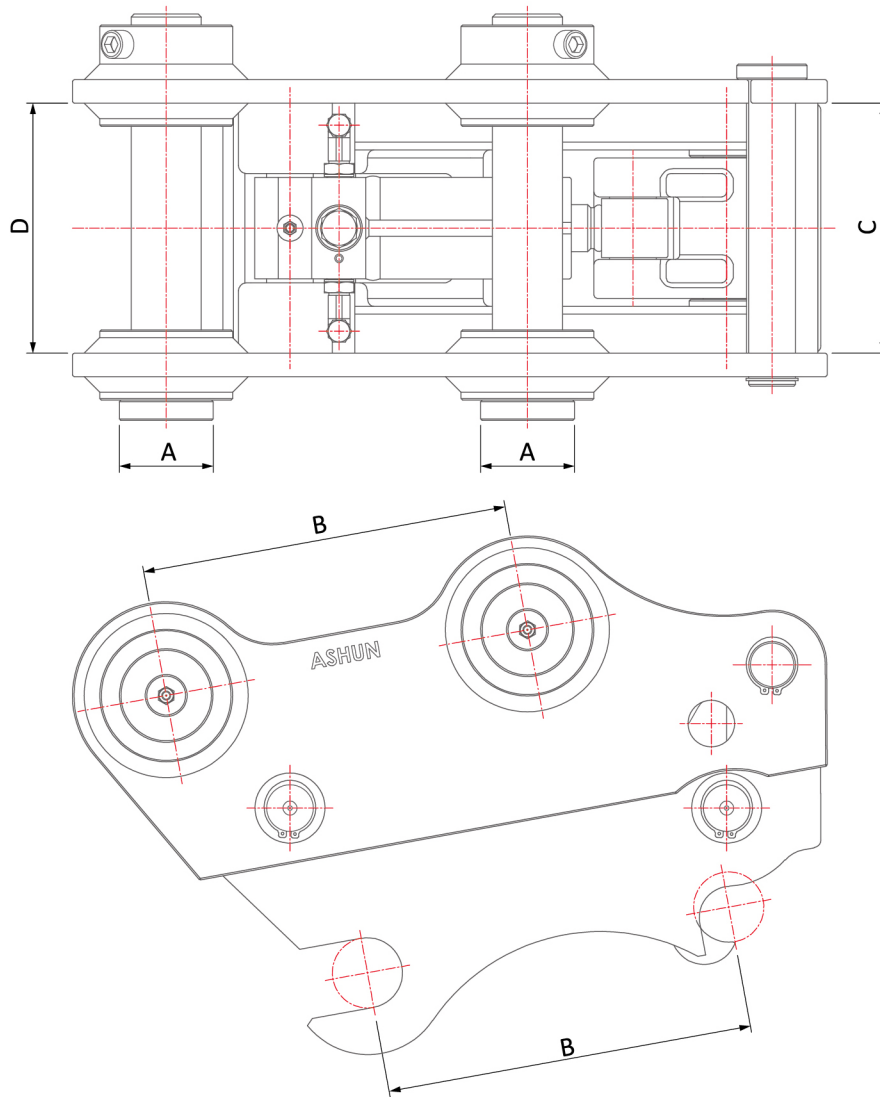
The bodies and chucks are made of high tensile steel, the hardness of which is up to HRC43, with grade 100kg quenched and tempered high tensile strength steel. The automatic quick couplers are not easy to wear and deform after being used for a long time.

4. Accurate positions of the safety pins

The bodies are manufactured by high-precision processing machines. Hence, the accurate position and hole tolerances ensure good interchangeability of parts.

自動快速換斗器

Automatic Quick Couplers



類型 Types

型號 / Item	單位 / Unit	15級 / Grade 15	45級 / Grade 45	60級 / Grade 60	120級 / Grade 120	200級 / Grade 200
適用挖土機噸位 Excavator Tons	ton	1 - 2	3 - 5.5	6 - 9	10 - 15	18 - 25
斗軸直徑 Bucket Dia.	mm	25 - 35	35 - 50	50 - 60	55 - 70	70 - 80
工作壓力 Oil Pressure	bar	25 - 300	25 - 300	25 - 300	25 - 300	25 - 300
必要流量 Oil Flow	lpm	15 - 25	15 - 25	15 - 25	15 - 25	15 - 25
重量 Weight	kg	25 - 40	50 - 75	70 - 100	150 - 200	220 - 280

規格 Specification

編號 / No.	單位 / Unit	15級 / Grade 15	45級 / Grade 45	60級 / Grade 60	120級 / Grade 120	200級 / Grade 200
A	mm	ø25 - ø35	ø35 - ø50	ø45 - ø55	ø55 - ø70	ø70 - ø90
B	mm	90 - 180	180 - 300	280 - 330	350 - 420	430 - 550
C	mm	90 - 120	125 - 170	170 - 220	220 - 290	305 - 340
D	mm	90 - 120	125 - 170	170 - 220	220 - 290	305 - 340

ASHUN

ASHUN FLUID POWER CO., LTD.

40852台中市南屯區精科南路18號

No. 18, Jingke S. Rd., Nantun Dist., Taichung City 40852, Taiwan

TEL: +886-4-23505599

FAX: +886-4-23505511

E-mail: info@ashun.com



www.ashun.com