

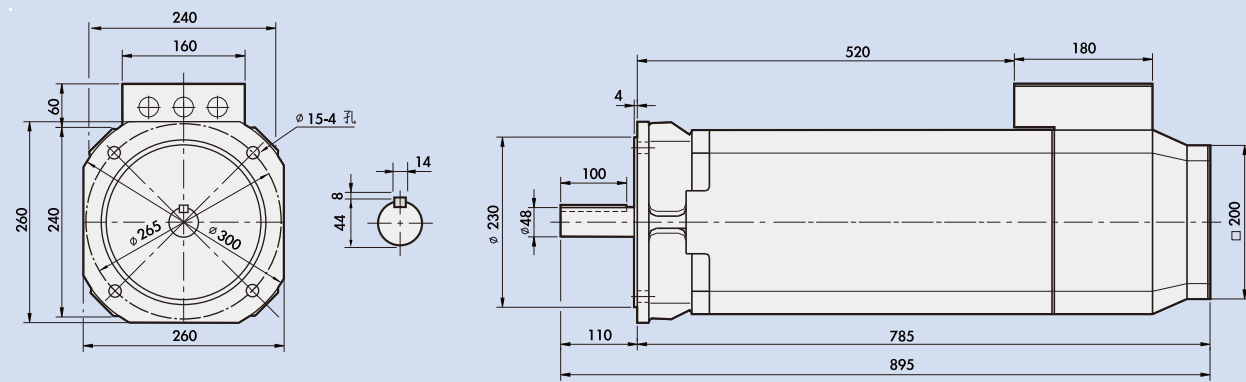
FEATURES:

- AC induction servo motor especially suitable for spindle drive of precision machine tools.
- High acceleration and high power output.
- Choice of maximum spindle speeds 10000 and 12000 RPM.
- Choice of power output 3.7 / 5.5 / 7.5 and 11 Kw.
- Brushless configuration eliminates bothersome maintenance.
- Compact construction, long service life.
- Employs high performance square wave encoder.

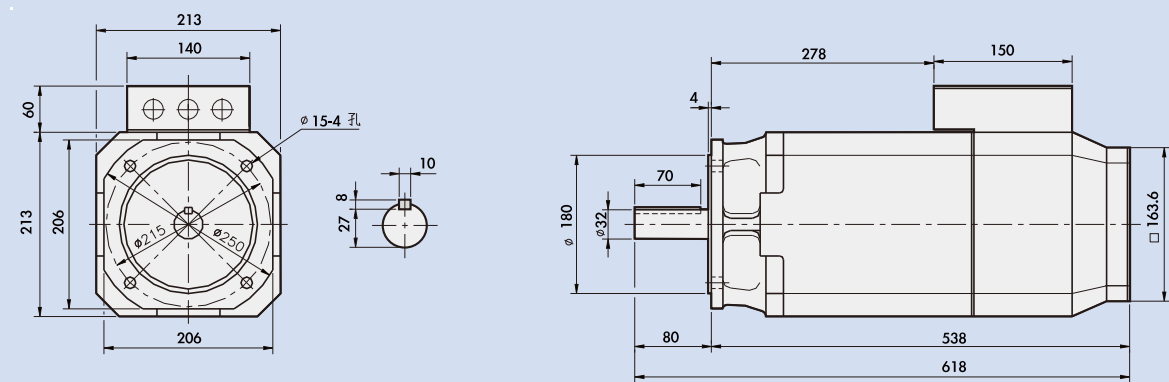
特 性:

- 精密工具機主軸專用AC感應伺服馬達
- 加速快，高功率輸出。
- 最高轉速有10000及12000RPM系列供選擇。
- 輸出功率範圍3.7 / 5.5 / 7.5和11Kw。
- 無碳刷構造，免除維修之困擾。
- 馬達結構紮實，使用壽命長。
- 採用高性能方形波編碼器。

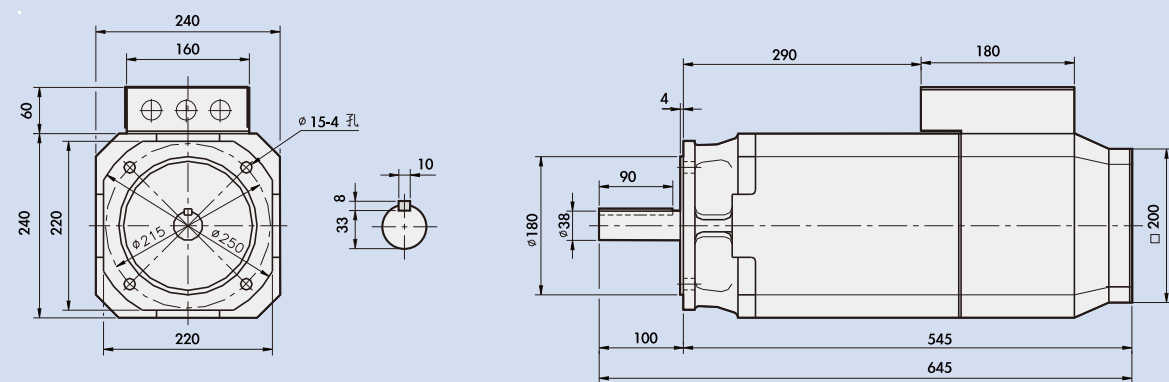
20HP尺寸圖 Dimensions :



10 / 15HP尺寸圖 Dimensions :



7 1/2 / 5HP 尺寸圖 Dimensions :



High Speed !
High Precision !
High Torque Output !



- Machine tools
- Metalworking machinery
- Woodworking machinery
- Rubber and plastic machinery
- Industrial machinery
- Special-purpose machines
- Printing machines
- 工具機
- 金屬加工機
- 木工機
- 橡、塑膠機械
- 產業機械
- 專用機
- 印刷機

JIE SHENG

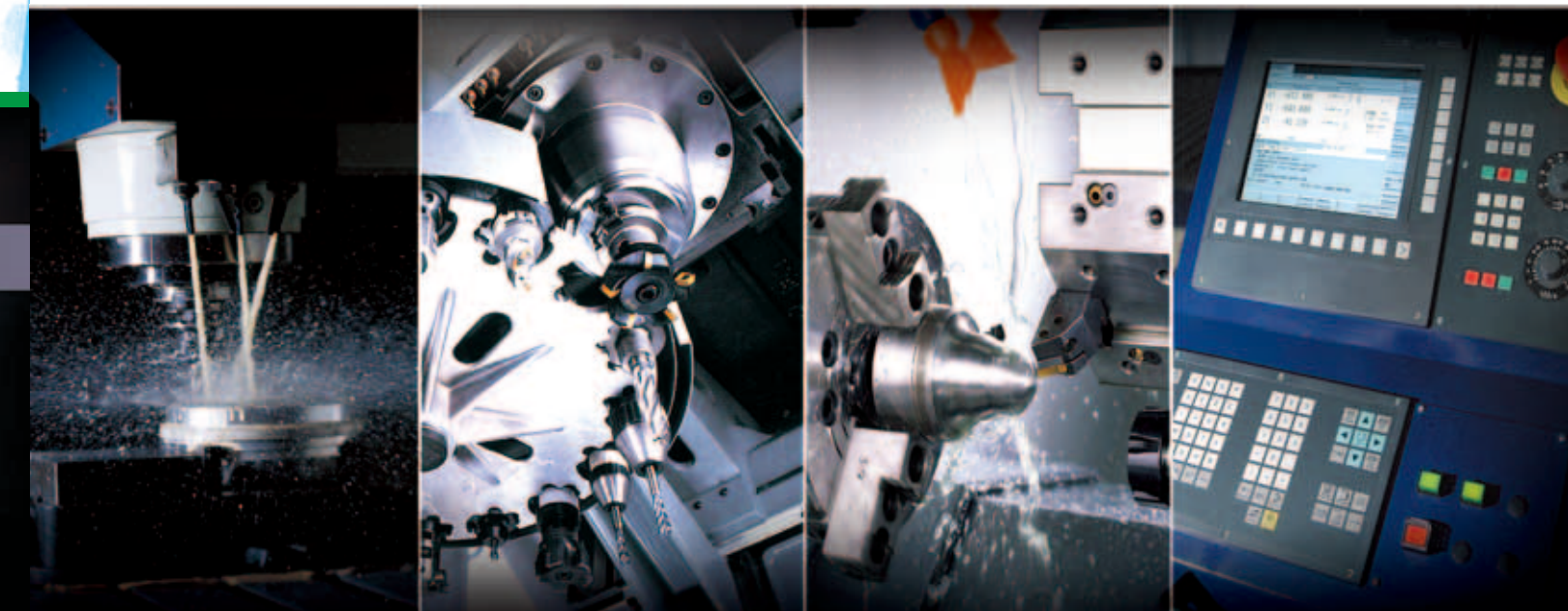
金詠鴻電機有限公司
捷盛電機公司

JIE SHENG ELEC. & MACH. CO.

429 台中市神岡區豐洲路 1550 巷 166 號
No.166, Ln. 1550, Fengzhou Rd., Shengang Dist., Taichung City 429, Taiwan
TEL: 886-4-2562 9977 <http://www.jie-sheng.com.tw>
FAX: 886-4-2562 4726 E-mail: gen.e1222@msa.hinet.net

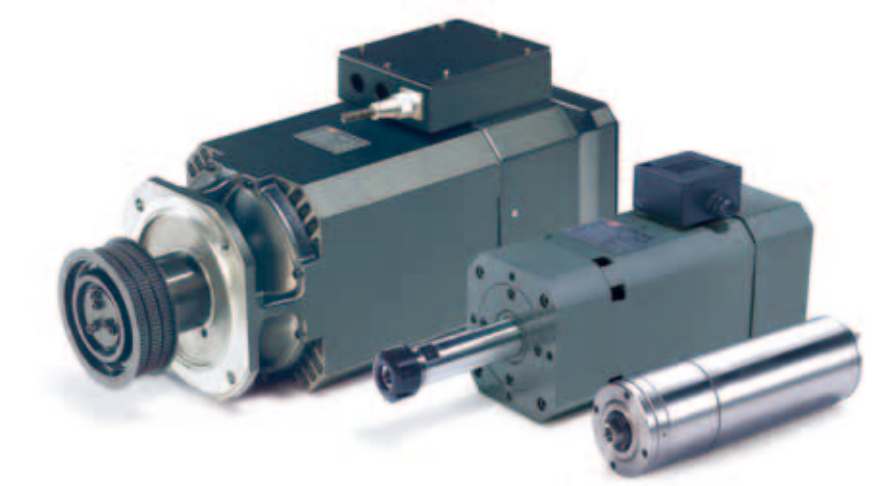
12.2015 05-038 S Summary 04-2022 707

JIE SHENG



MAXIMUM PERFORMANCE DEPENDABILITY

- INDUCTION SERVO MOTOR FOR SPINDLE
- HIGH FREQUENCY INVERTED MOTOR
- 主軸感應伺服馬達
- 高頻變頻馬達

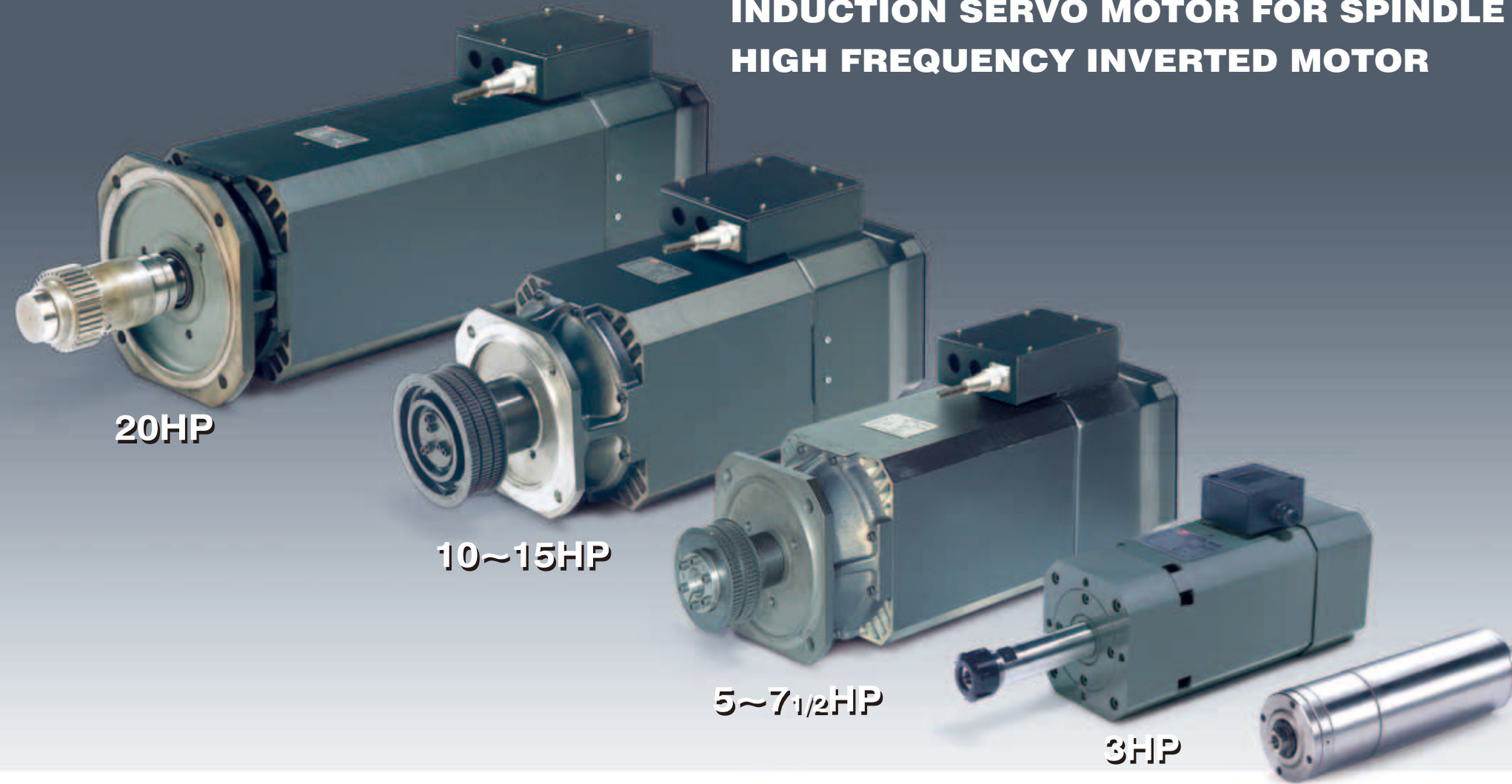


JIE SHENG ELEC. & MACH. CO.

JIE SHENG

感應伺服馬達 / 高頻變頻馬達

INDUCTION SERVO MOTOR FOR SPINDLE HIGH FREQUENCY INVERTED MOTOR



High Speed ! High Precision ! High Torque Output !

Based on the company's concept of constant technology breakthrough, JIE SHENG ELEC. & MACH. CO. has dedicated itself to the research and development of spindle servo motors. With a combination of expertise and experience, JIE SHENG has successfully developed the high speed spindle motor series to serve the

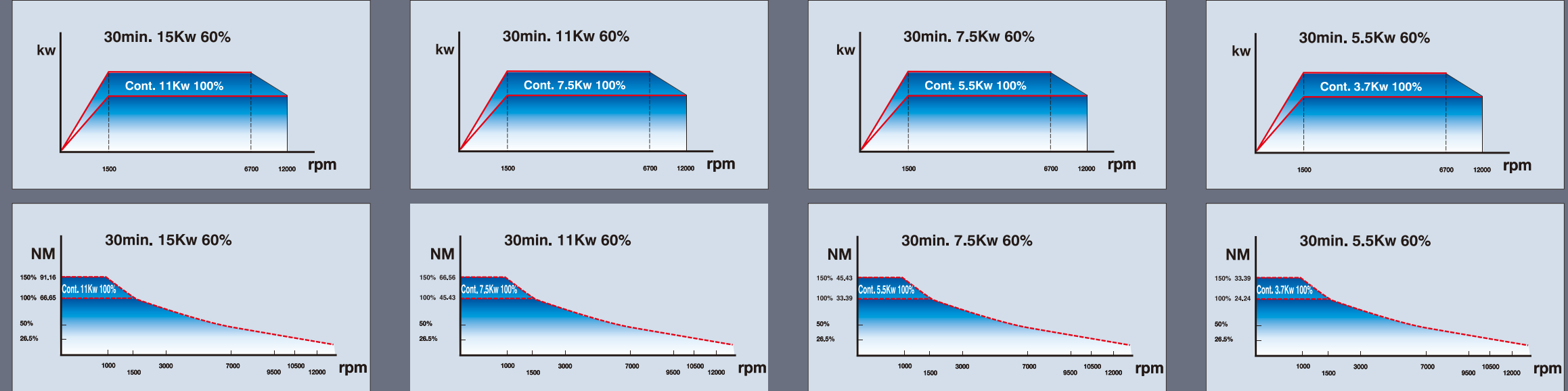
machine tool industry. It provides high precision drive for the spindles of various machines. JIE SHENG servo motor offer the most reasonable price with dependable quality. This will help machine tool manufacturers to reduce production costs while upgrading market competitiveness.

高速！高精密！高扭力！

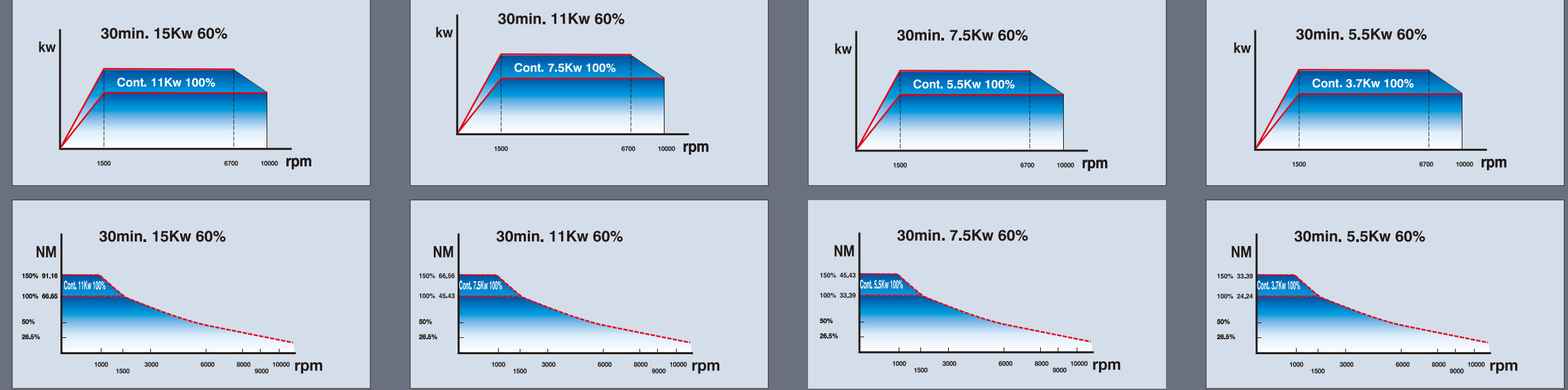
秉持不斷技術突破的捷盛電機公司，以其多年來豐富的馬達設計製造經驗，結合理論之鑽研，歷經長期研發成功的AC感應伺服馬達系列，為機械業界，提供精密的主軸驅動性能。捷盛伺服馬達以最合理的價位，可靠的品質，為工具機業降低成本，提昇市場競爭力。

SPINDLE SERVO MOTOR SPEED / OUTPUT CURVES

12000RPM



10000RPM



8000RPM

