



GENPLUS AUTO PARTS CO., LTD.

No. 139, Zhongshan Road, Daya Dist., Taichung City 428, Taiwan  
Tel: +886-4-25601925  
Fax: +886-4-25601065  
Email: sales@genplus.com.tw  
Website: www.genplus.com.tw



A D V A N C E  
P E R F O R M A N C E L I G H T I N G  
I N N O V A T I V E



LIGHTS | HEADLIGHTS



# TABLE OF CONTENTS

01  
WHY CHOOSE GENPLUS

11  
LED HEADLIGHTS 7INCH

13  
LED HEADLIGHTS 90MM

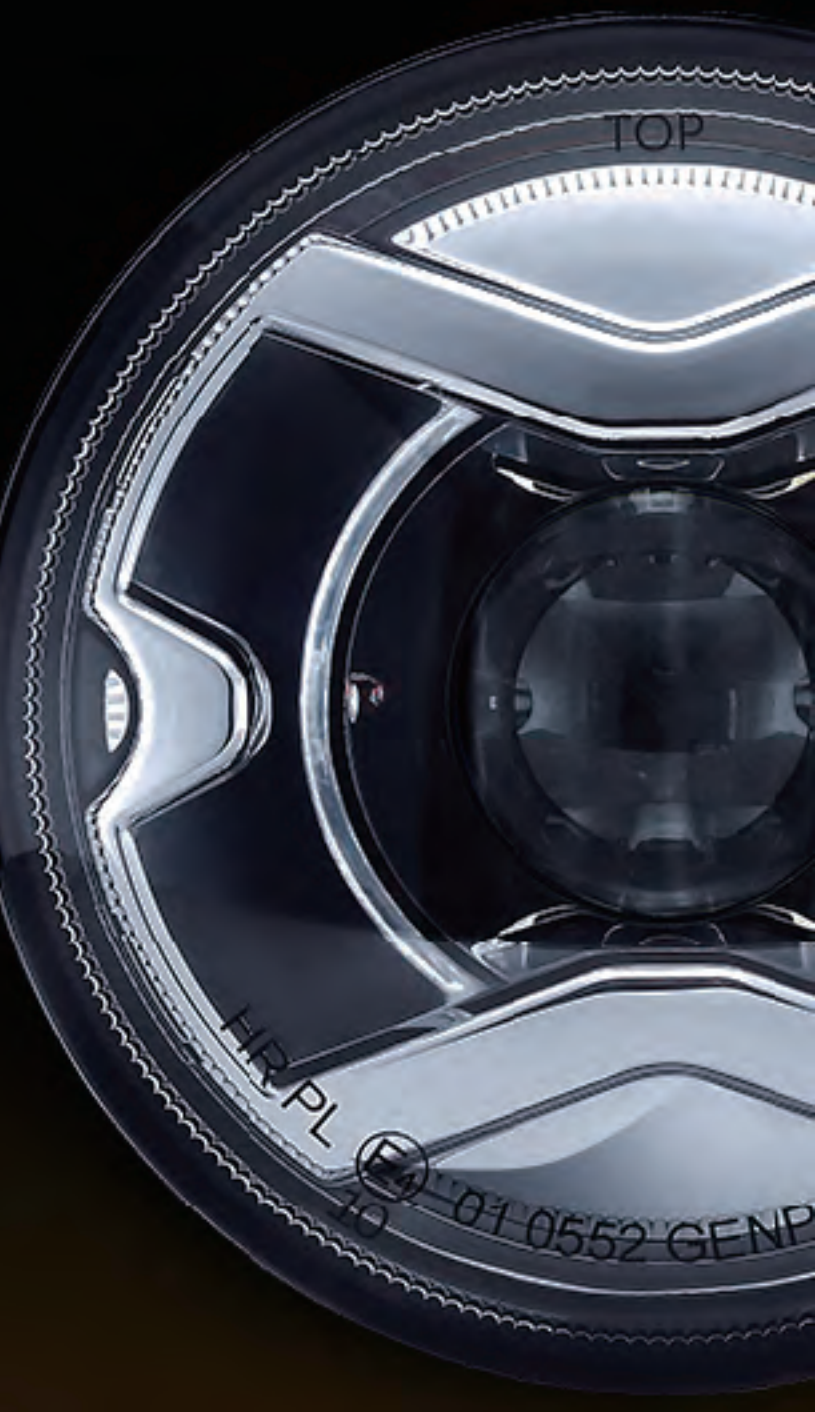
15  
LED HEADLIGHTS 110MM

G309 SERIES

G111 SERIES  
G210 SERIES  
G324 SERIES

G206 SERIES  
G207 SERIES

## FEATURE PRODUCTS





# ABOUT GENPLUS

DESIGN, MANUFACTURE AND DELIVER INNOVATIVE AND RELIABLE LIGHTING SOLUTION

Genplus Auto Parts was established in 2007. Ten years ago, we launched our first vehicle lighting -Daytime Running Light. Nowadays, with 10 years in LED automotive lighting system development and manufacturing, we are able to provide a wide range of reliable and premium LED lighting fixtures, including headlights, fog lights, daytime running lights, and working lights.

The clients' needs are our guidelines to develop innovative and tough lighting. We listen to the clients and take pride in putting out the uncompromising and superior LED lighting system based on our abundant know-how, lighting system R&D ability, and strict quality assurance to keep our clients satisfied is the goal we are constantly striving toward. We do what is right for our clients.

## QUALITY ENSURED





# COMMITMENT TO QUALITY

## QUALITY AS A PRIORITY

Test procedures and quality monitoring frequently, we do these to ensure the quality of our products is above and beyond that which is required.

## ✓ WATERPROOF

Products are tested for leak tightness by undergoing the intermittent and splash water test to ensure they are sealed properly.

## ✓ PREMIUM OPTICS

Each optic is designed based on our engineering knowledge and the feedback of end users. To develop the best optic in the industry is the goal we are constantly striving toward.

## ✓ COOLING

To prevent damage to the LEDs and components and transfer the heat from the circuit board by optimal thermal management system for years of trouble-free operation.

## ✓ LONG TERM DURABILITY

LEDs provide over 50,000 hours long service life.

## ✓ RAPID TEMPERATURE CHANGE RESISTIBLE

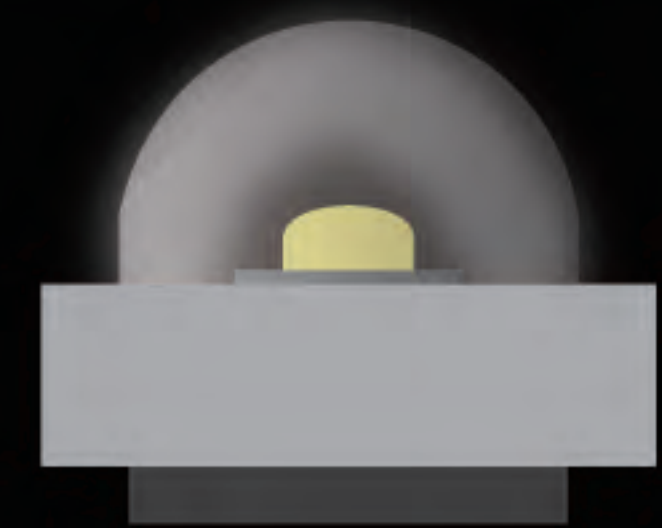
Products are exposed to temperature fluctuations from -40°C to +80°C to ensure that they can withstand these great temperature fluctuation challenges.

## ✓ EMC APPROVAL



# LIGHTING TECHNOLOGY

LED VS HID VS HALOGEN



LED

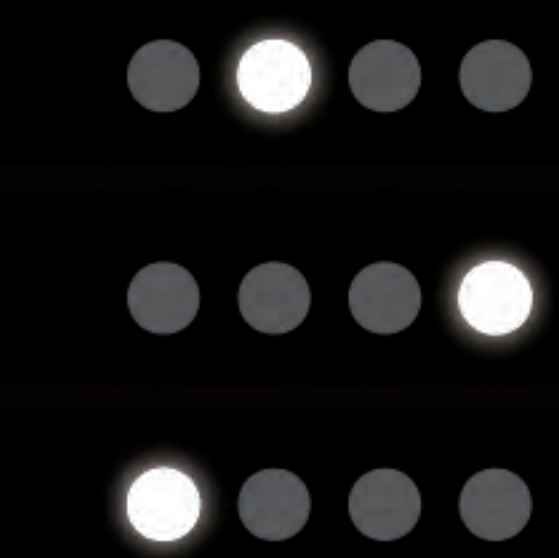
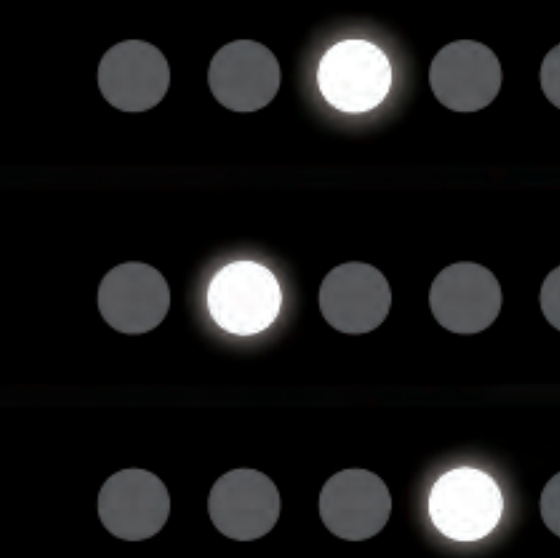


HID



HALOGEN

INTENSITY  
AMP DRAW  
LUMENS PER WATT



LEDs produce greater illumination from each watt of electricity and have no filaments that allows they burn cooler than other light sources because unnecessary heat is not created. LEDs require very low power to work compared to halogen and HID, in fact, energy saving is so great. The lifespan of LEDs is much longer than HID and Halogen thanks to extremely resistant to shocks and vibrations. This allows them to provide anywhere from 10,000 – 50,000 hours of service. As technology continues to improve expect even longer.

The HID lights produce more light and more efficiently than halogen which consuming less power. HID's need a few seconds (usually 15-20) to reach full brightness, from the time you switch it on. The HID light is a common lighting fixture in today's vehicles because of their various color temperature and how bright they can get. The lifespan of HID light is 1,000 - 2,000 hours.

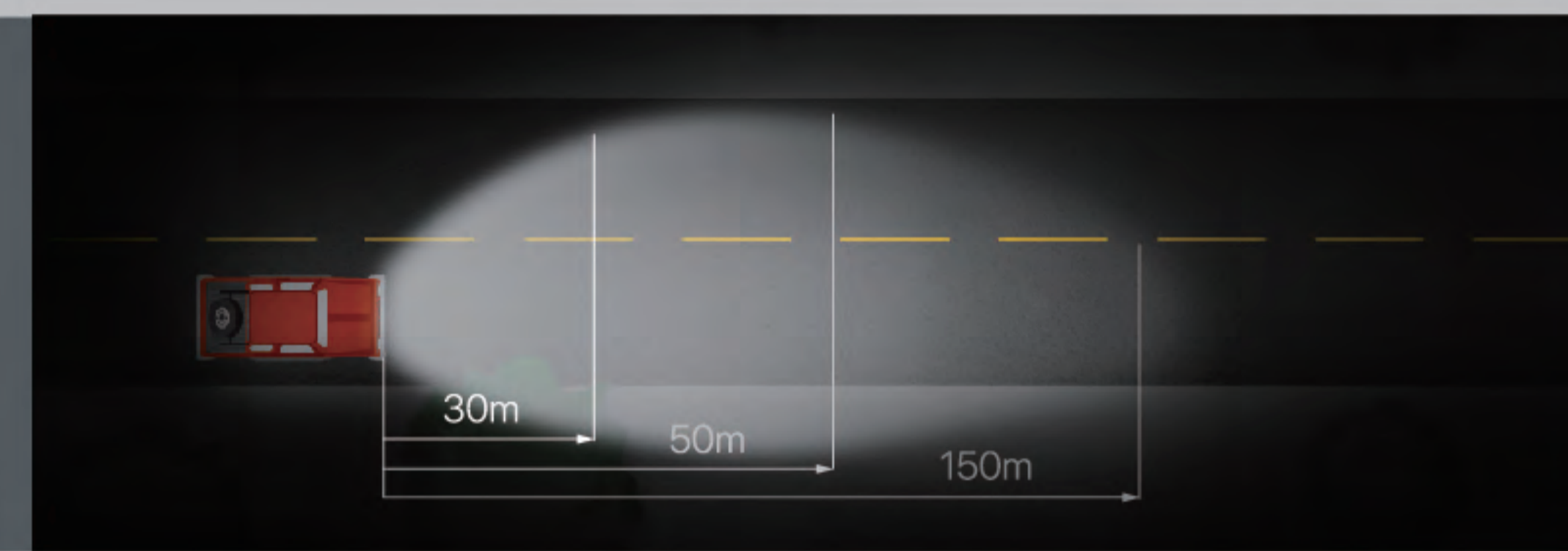
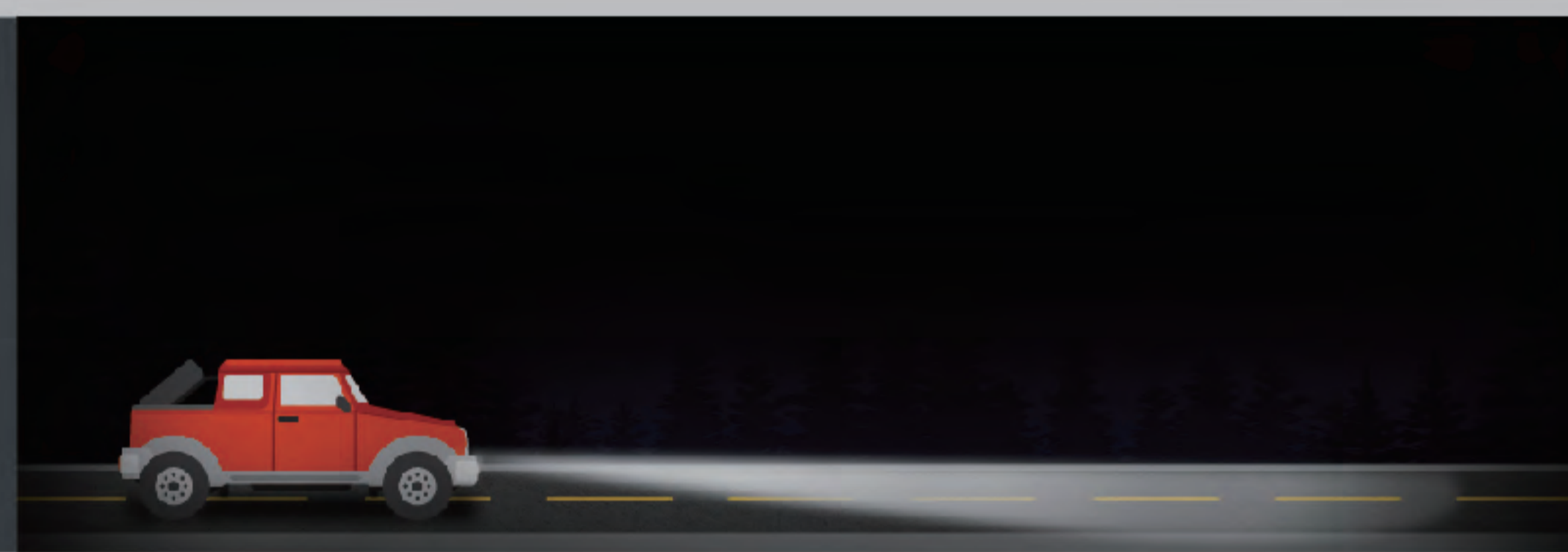
The replacement cost of Halogen bulbs is low and can come in many sizes and shapes to fit most vehicles. The issue is that when HID bulbs emit light, they generate excess heat and waste energy. The life expectancy is around 500 – 1,000 hours.



# KNOW THE DIFFERENCE

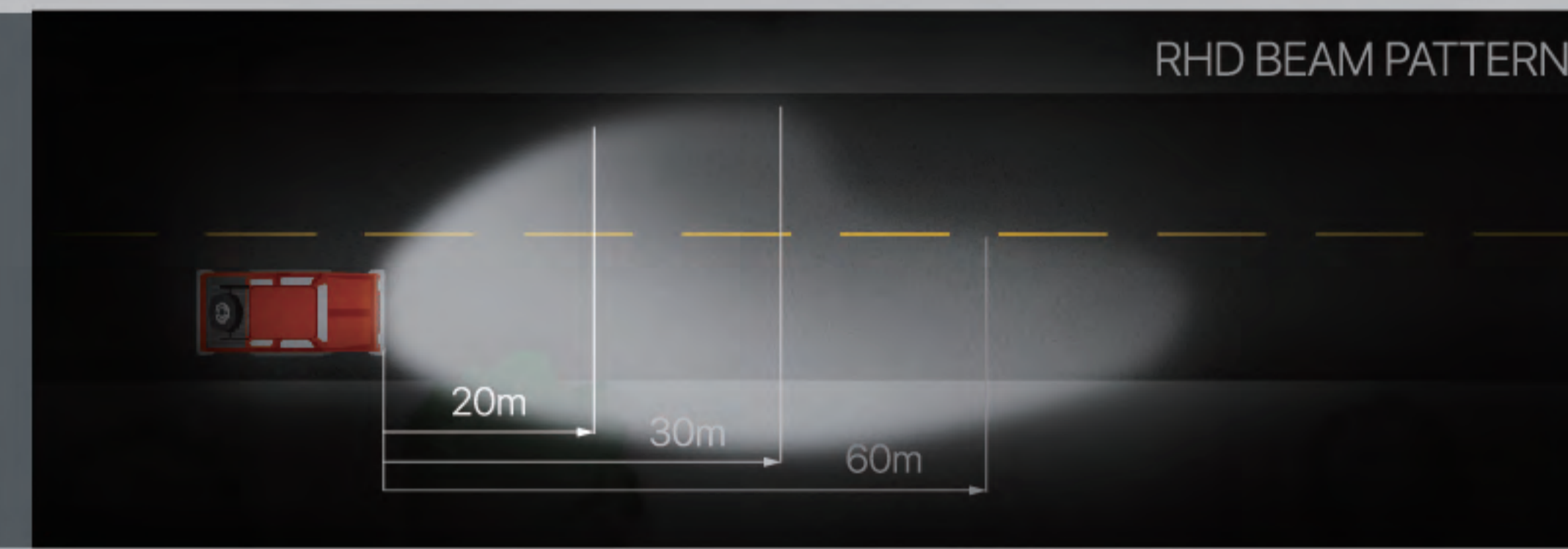
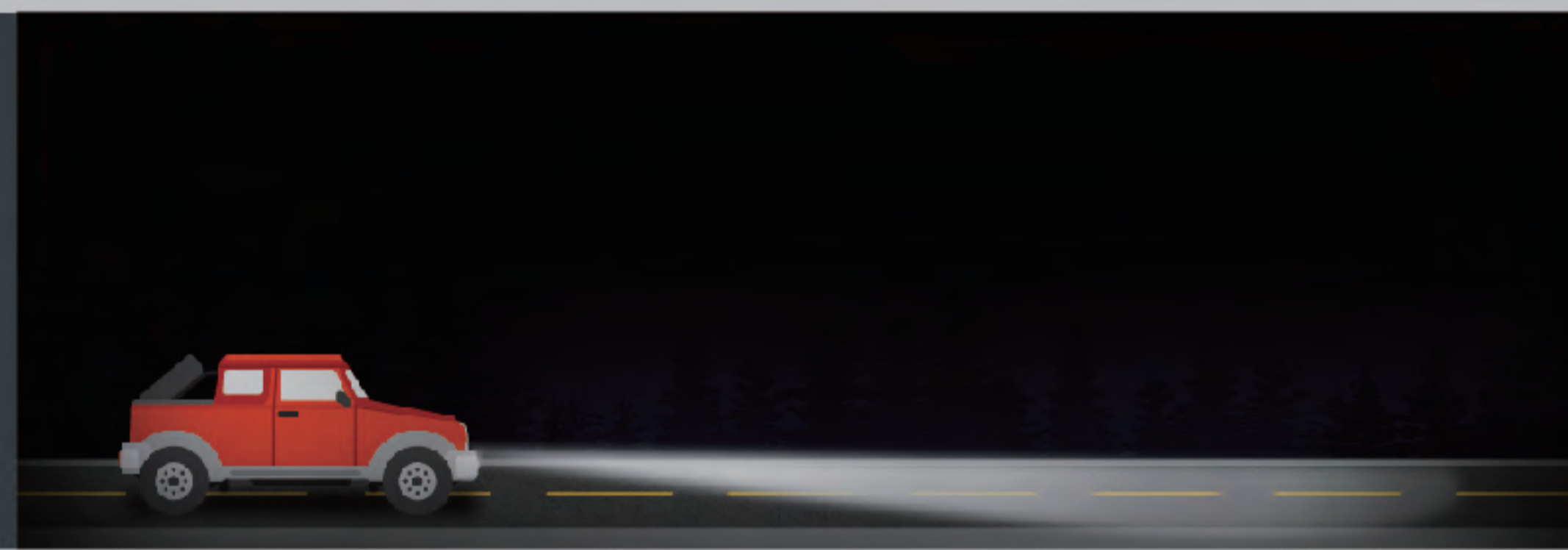
LIGHTING PATTERNS AND USAGE

## HIGH BEAM



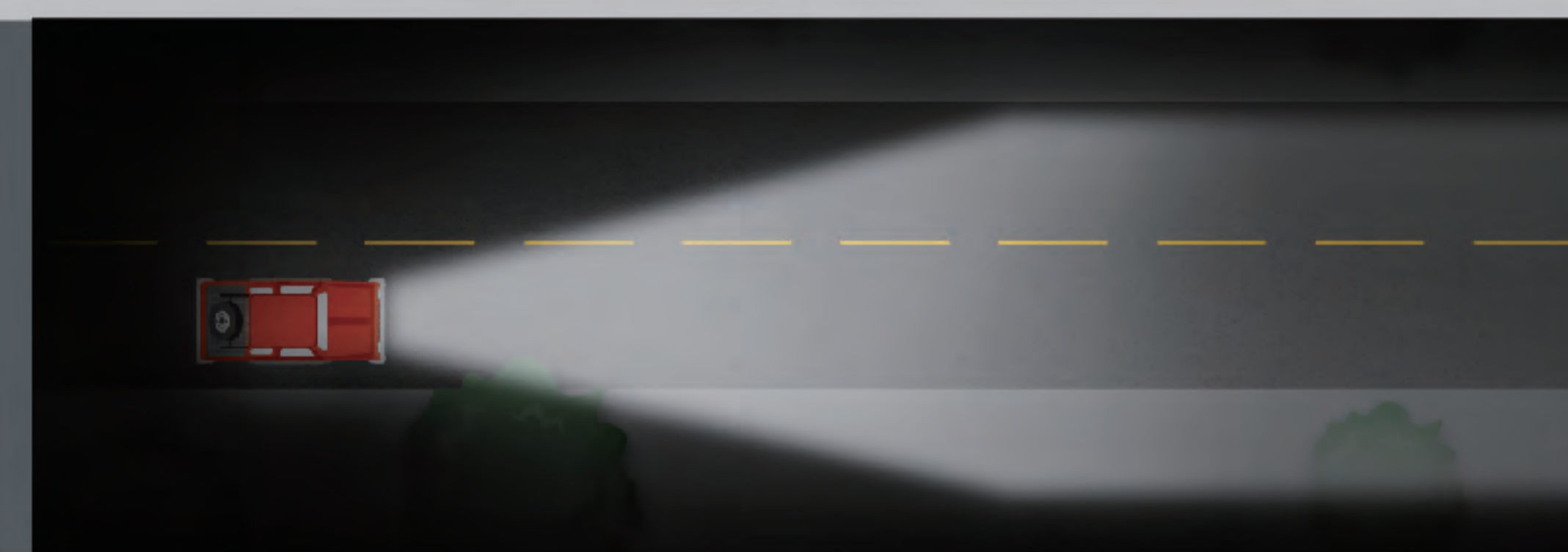
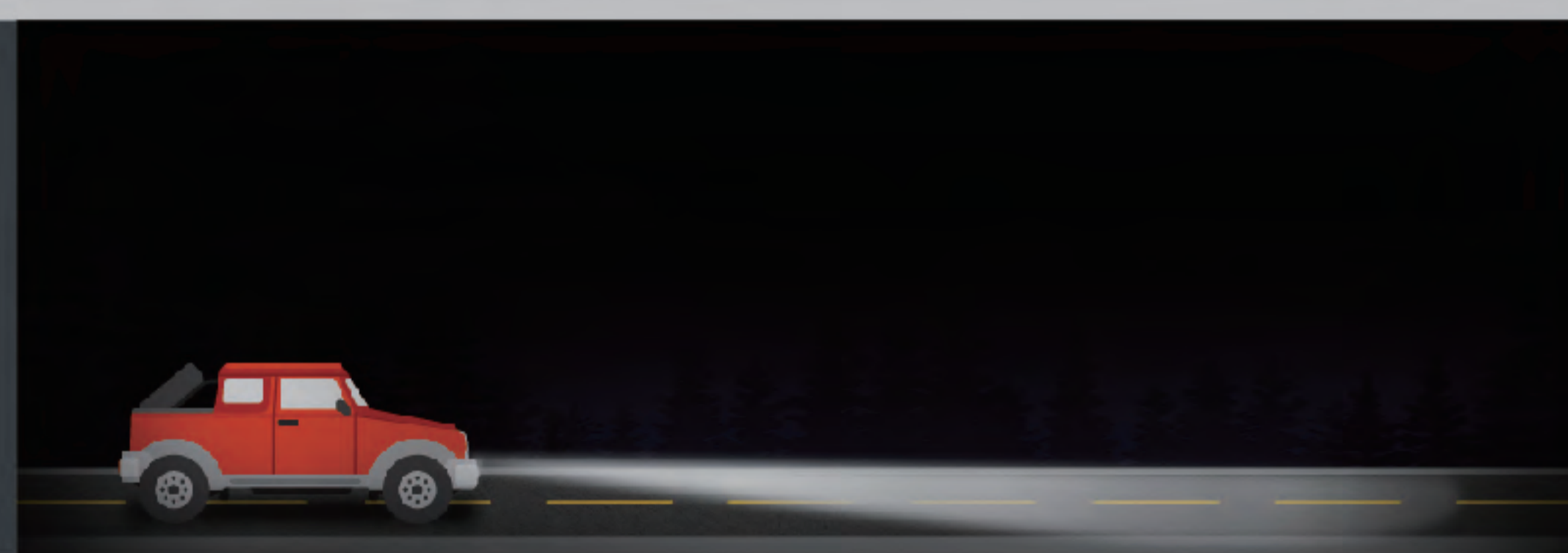
A wide and long beam with center-weighted light distribution that intends primarily to illuminate an area ahead (at a distance of at least 100 meters ahead) of the vehicle. They are designed for use when no preceding or oncoming vehicles are present on or off road.

## LOW BEAM



A beam pattern is of a medium length and width with a sharp, clearly asymmetric cut-off line that intends to illuminate the road and its environs ahead of the vehicles with emphasis on not shining directly in oncoming driver's eyes. They are meant to be used at low speeds and highway.

## DRIVING BEAM



A focused, long and narrow (10° – 25° spread) beam that can reach further and wider than headlights. Driving lights are designed to provide an extremely bright and project straight ahead a great distance to supplement the vehicle's high beams. They are meant to be used for high speed, long range viewing when no oncoming traffic is present on or off road.



# LED HEADLIGHTS

7INCH | 90MM | 110MM

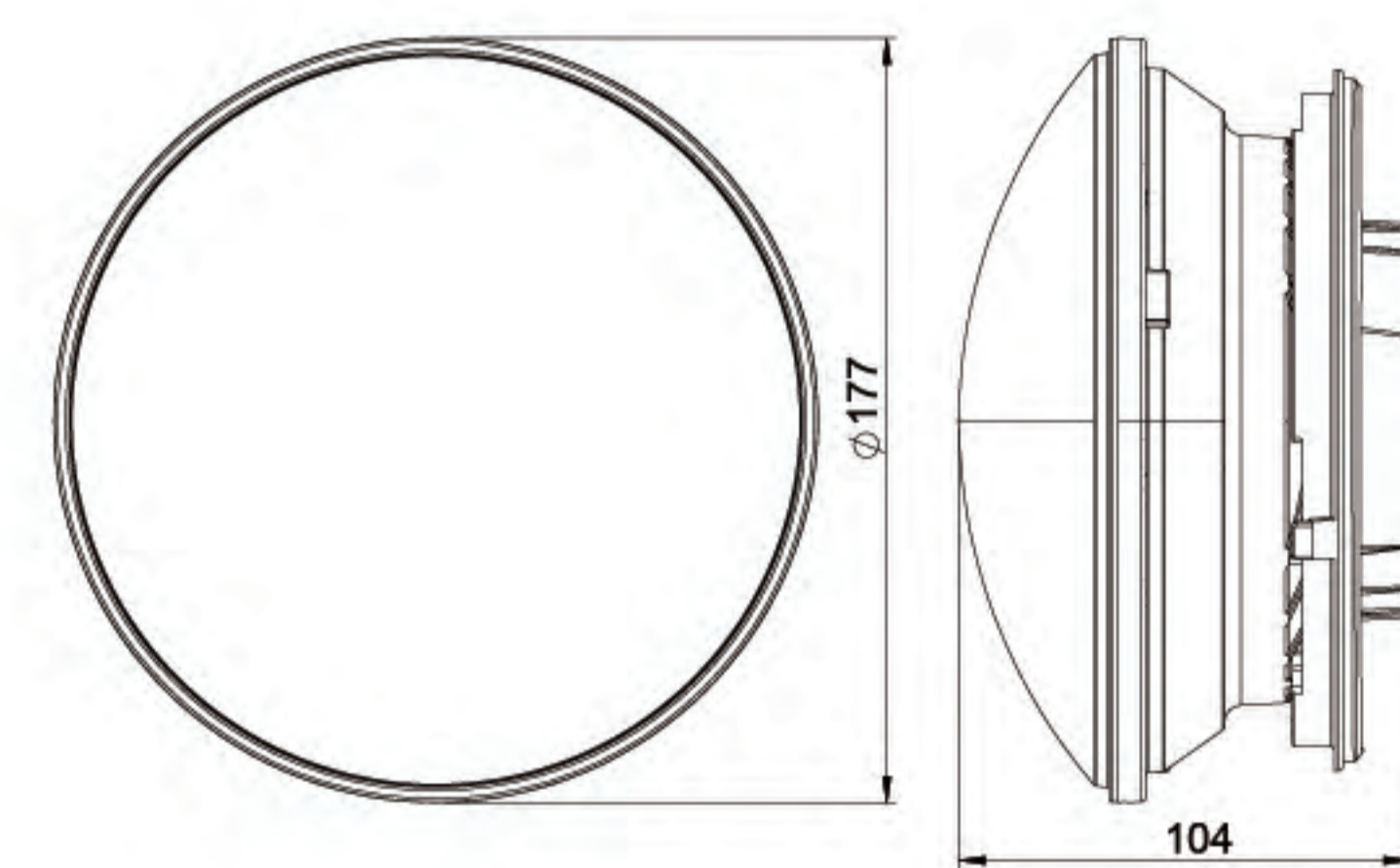




# LED HEADLIGHTS 7 INCH

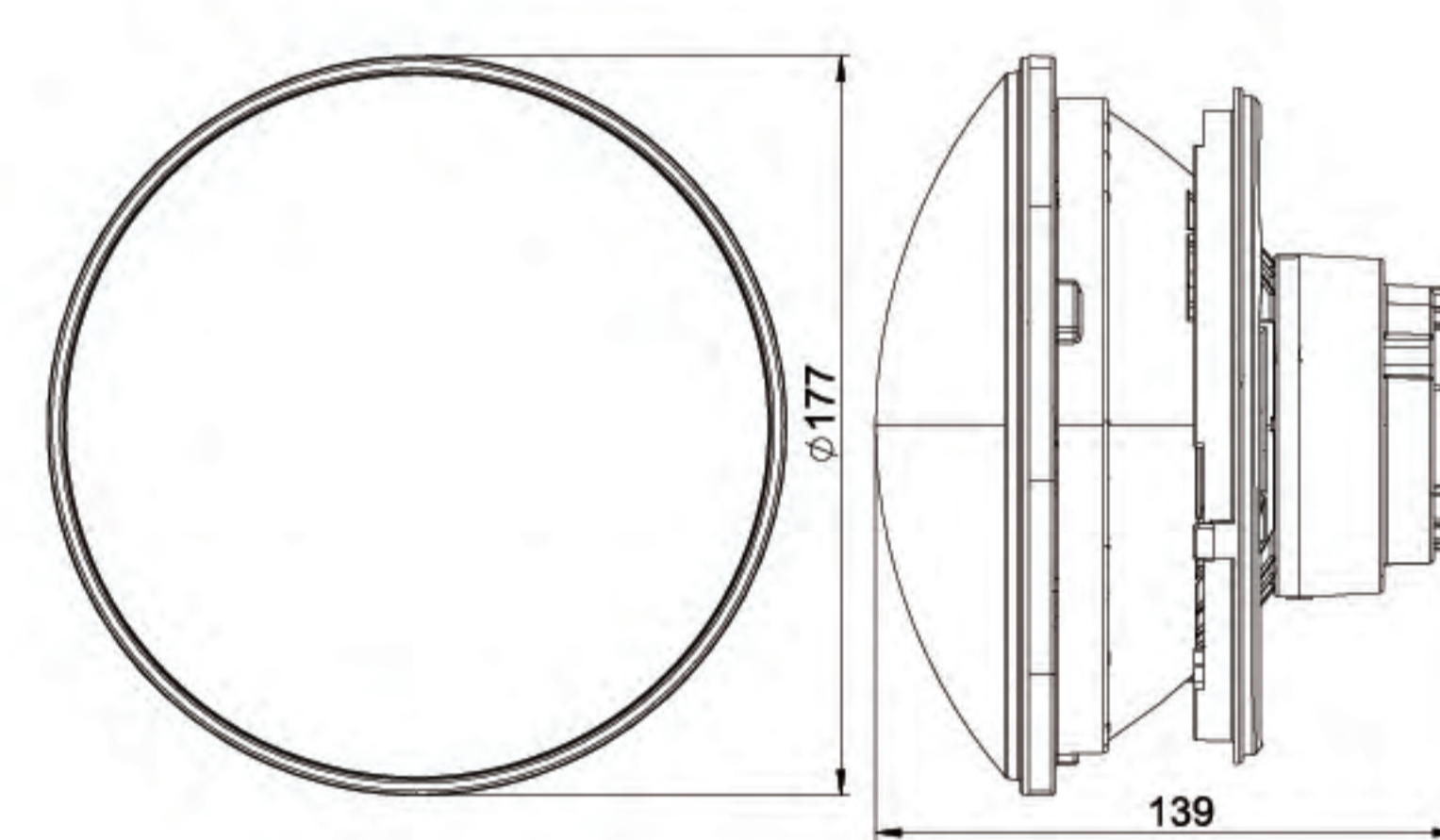
G309 SERIES

LED D R L  
HEADLIGHTS



— LOW BEAM  
— HIGH BEAM  
— DRL

ITEM#	TYPE	WATTS	LOW BEAM AMP DRAW		HIGH BEAM AMP DRAW		DRL AMP DRAW		DIMENSIONS	CERTIFICATION
			@12V	@24V	@12V	@24V	@12V	@24V		
G30901	LHD	57W	2.1A	1.1A	1.8A	0.89A	0.89A	0.45A	H177 x W177 x D104 mm	ECE
G30902	RHD	57W	2.1A	1.1A	1.8A	0.89A	0.89A	0.45A	H177 x W177 x D104 mm	ECE
G30905	SAE DOT	57W	2.1A	1.1A	1.8A	0.89A	0.89A	0.45A	H177 x W177 x D104 mm	SAE
G30909	MOTORCYCLE	57W	2.1A	1.1A	1.8A	0.89A	0.89A	0.45A	H177 x W177 x D104 mm	ECE



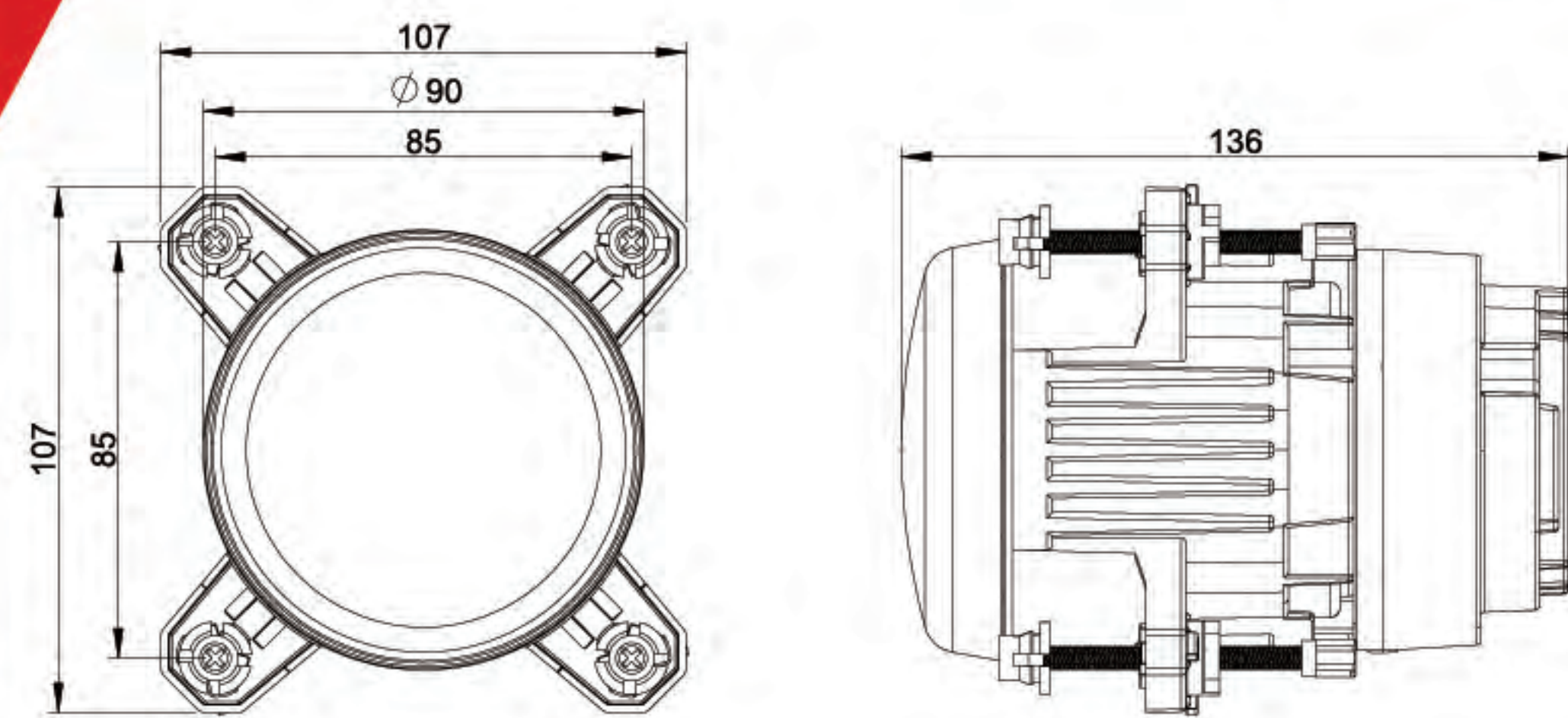
— LOW BEAM  
— HIGH BEAM  
— DRL

ITEM#	TYPE	WATTS	LOW BEAM AMP DRAW		HIGH BEAM AMP DRAW		DRL AMP DRAW		DIMENSIONS	CERTIFICATION
			@12V	@24V	@12V	@24V	@12V	@24V		
G30903	LHD	57W	2.1A	1.1A	1.8A	0.89A	0.89A	0.45A	H177 x W177 x D139mm	ECE
G30904	RHD	57W	2.1A	1.1A	1.8A	0.89A	0.89A	0.45A	H177 x W177 x D139mm	ECE
G30907	SAE DOT	57W	2.1A	1.1A	1.8A	0.89A	0.89A	0.45A	H177 x W177 x D139mm	SAE
G30911	MOTORCYCLE	57W	2.1A	1.1A	1.8A	0.89A	0.89A	0.45A	H177 x W177 x D139mm	ECE



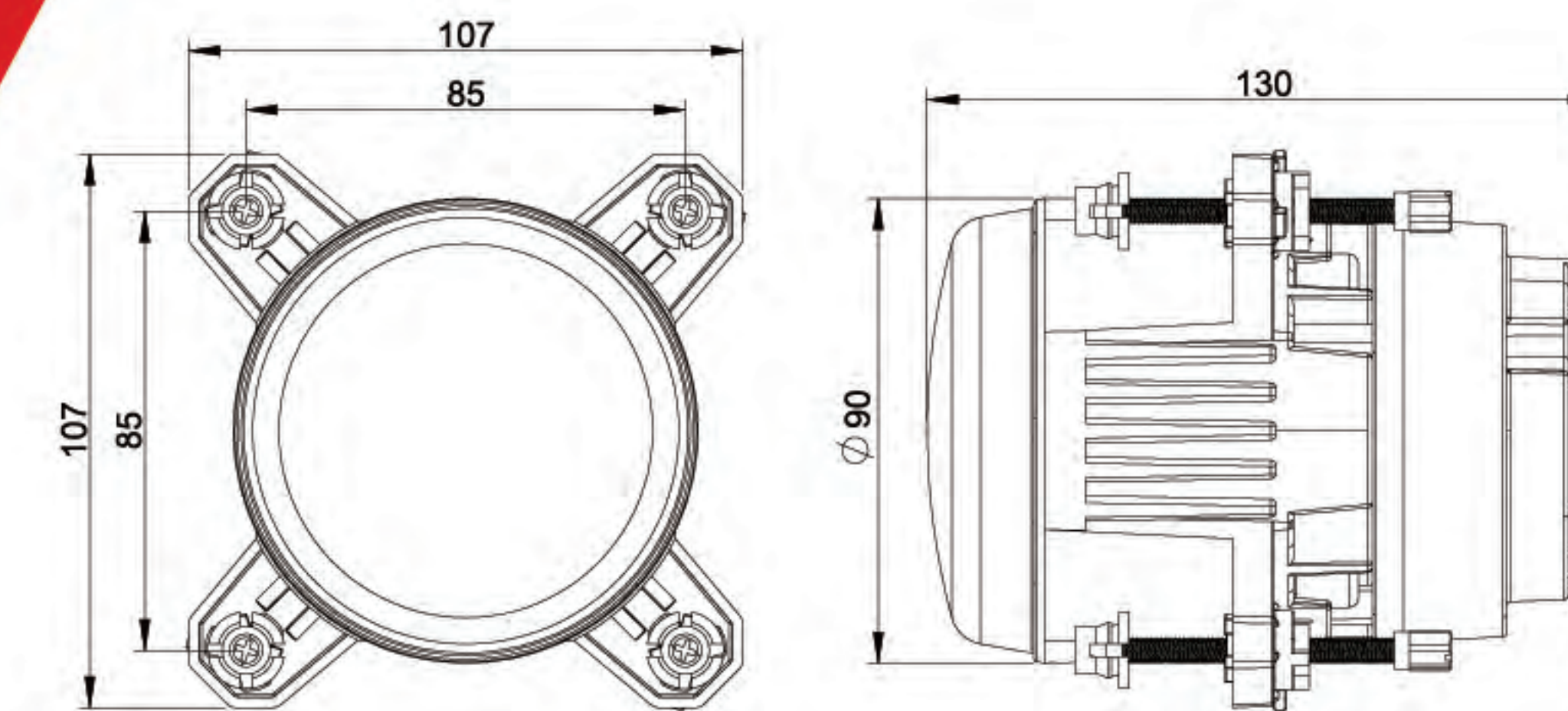
# LED HEADLIGHTS 90MM

G111 SERIES LOW BEAM HEADLIGHTS



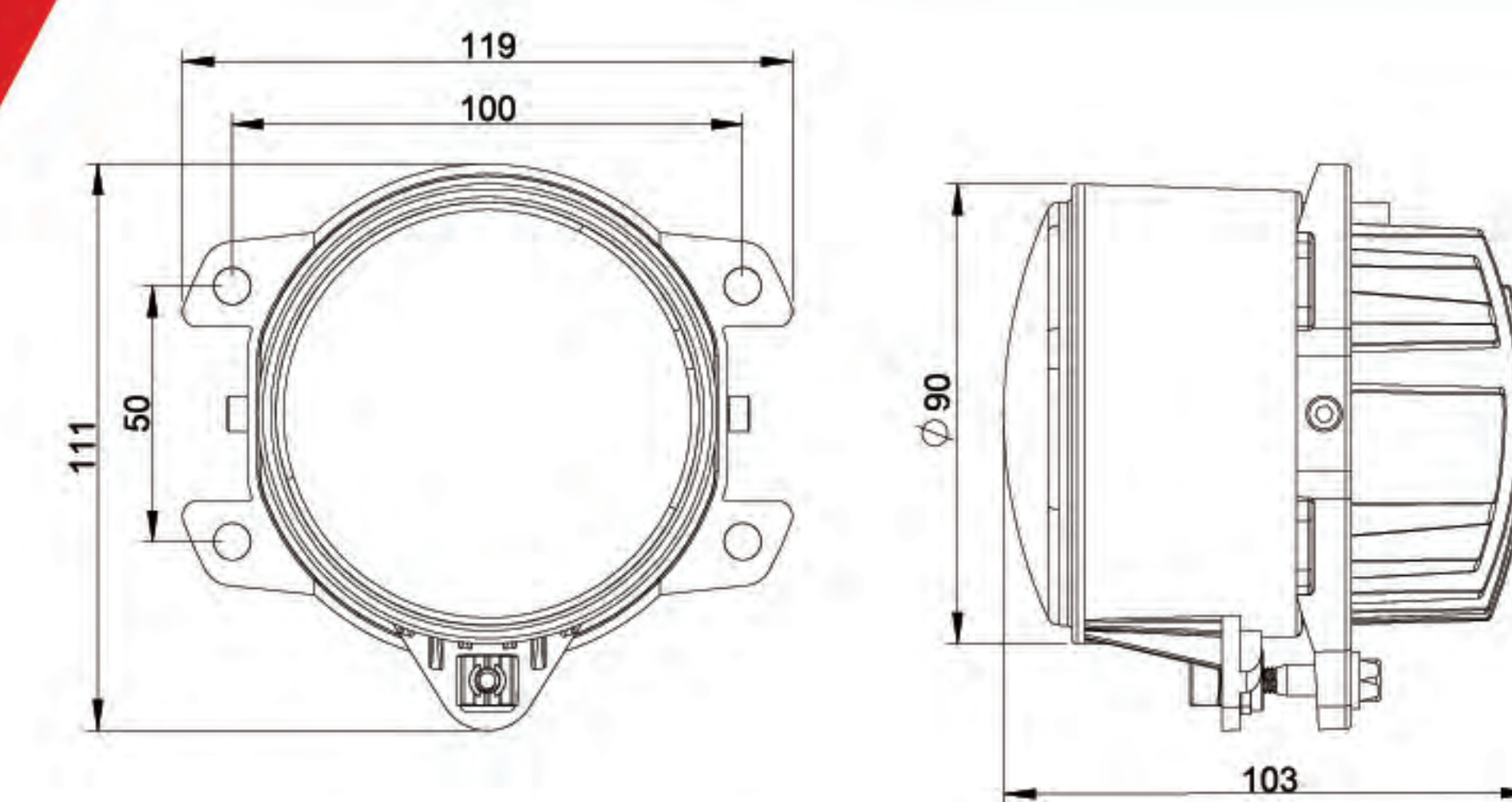
ITEM#	TYPE	WATTS	AMP DRAW @12V	AMP DRAW@24V	DIMENSIONS	CERTIFICATION
G11101	LHD	25W	2.1A	1.1A	H107 x W107 x D136 mm	ECE
G11102	RHD	25W	2.1A	1.1A	H107 x W107 x D136 mm	ECE
G11103	SAE DOT	25W	2.1A	1.1A	H107 x W107 x D136 mm	SAE
G11105	MOTORCYCLE	25W	2.1A	1.1A	H107 x W107 x D136 mm	ECE

G210 SERIES HIGH BEAM HEADLIGHTS



ITEM#	WATTS	AMP DRAW @12V	AMP DRAW@24V	DIMENSIONS	CERTIFICATION
G21001	21W	1.8A	0.89A	H107 x W107 x D130 mm	ECE

G324 SERIES HIGH/LOW BEAM HEADLIGHTS



— LOW BEAM  
— HIGH BEAM

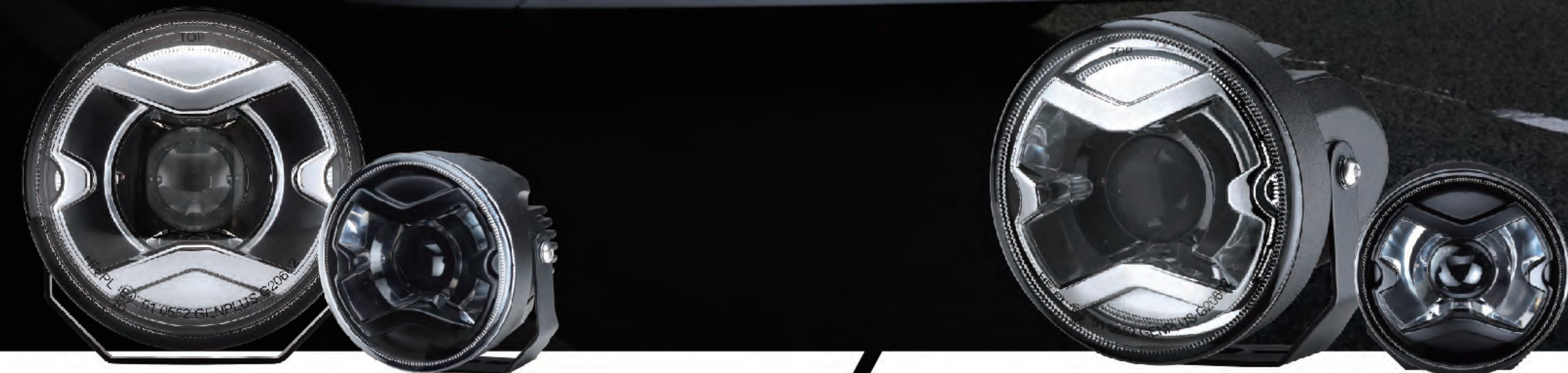
ITEM#	TYPE	WATTS	LOW BEAM AMP DRAW @12V	LOW BEAM AMP DRAW @24V	HIGH BEAM AMP DRAW @12V	HIGH BEAM AMP DRAW @24V	DIMENSIONS	CERTIFICATION
G32401	MOTORCYCLE	32W	1.8A	0.89A	1.8A	0.89A	H111 x W119 x D103 mm	ECE
G32403	LHD	32W	1.8A	0.89A	1.8A	0.89A	H111 x W119 x D103 mm	



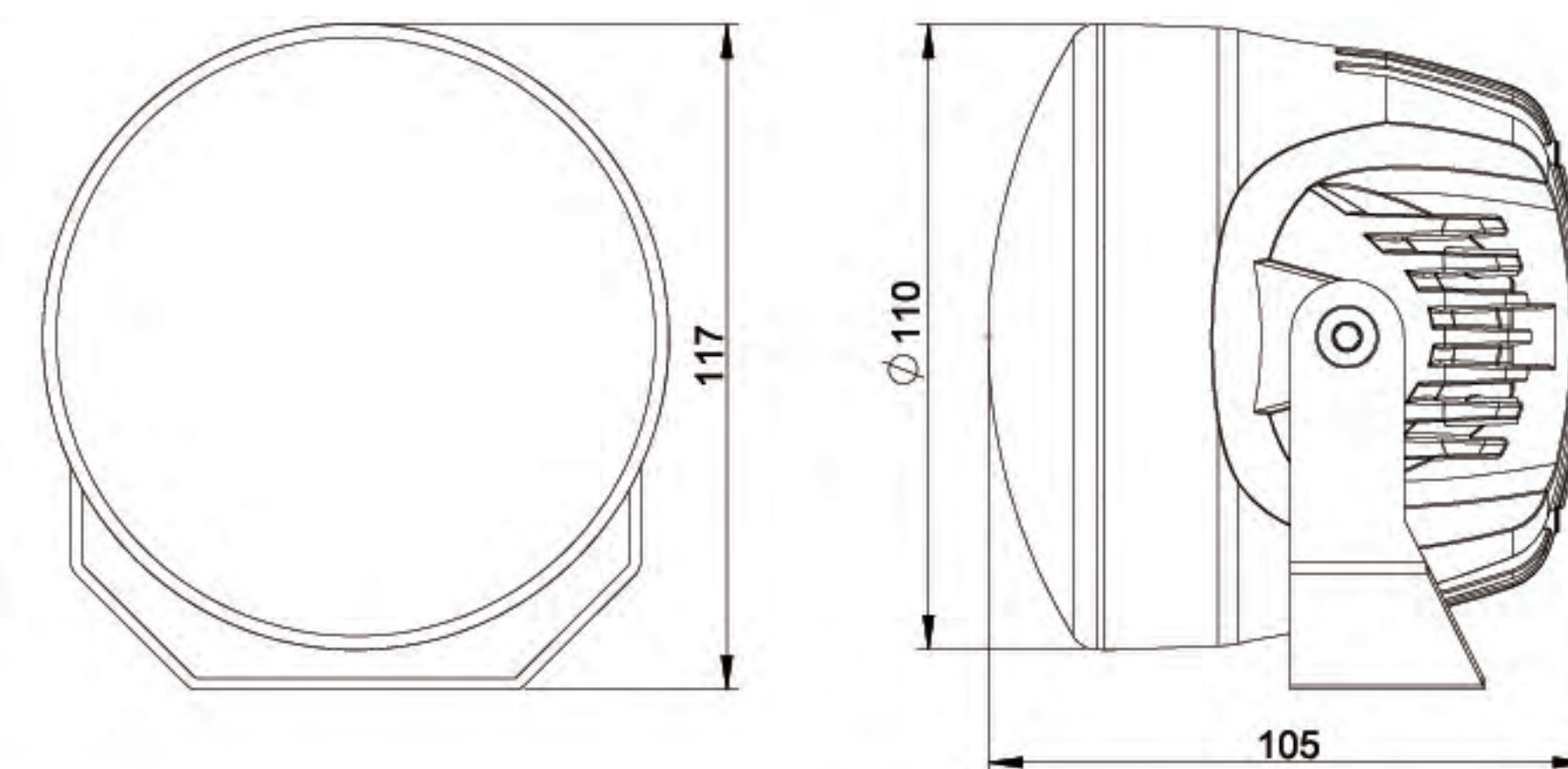
# LED HEADLIGHTS 110MM

G206 SERIES

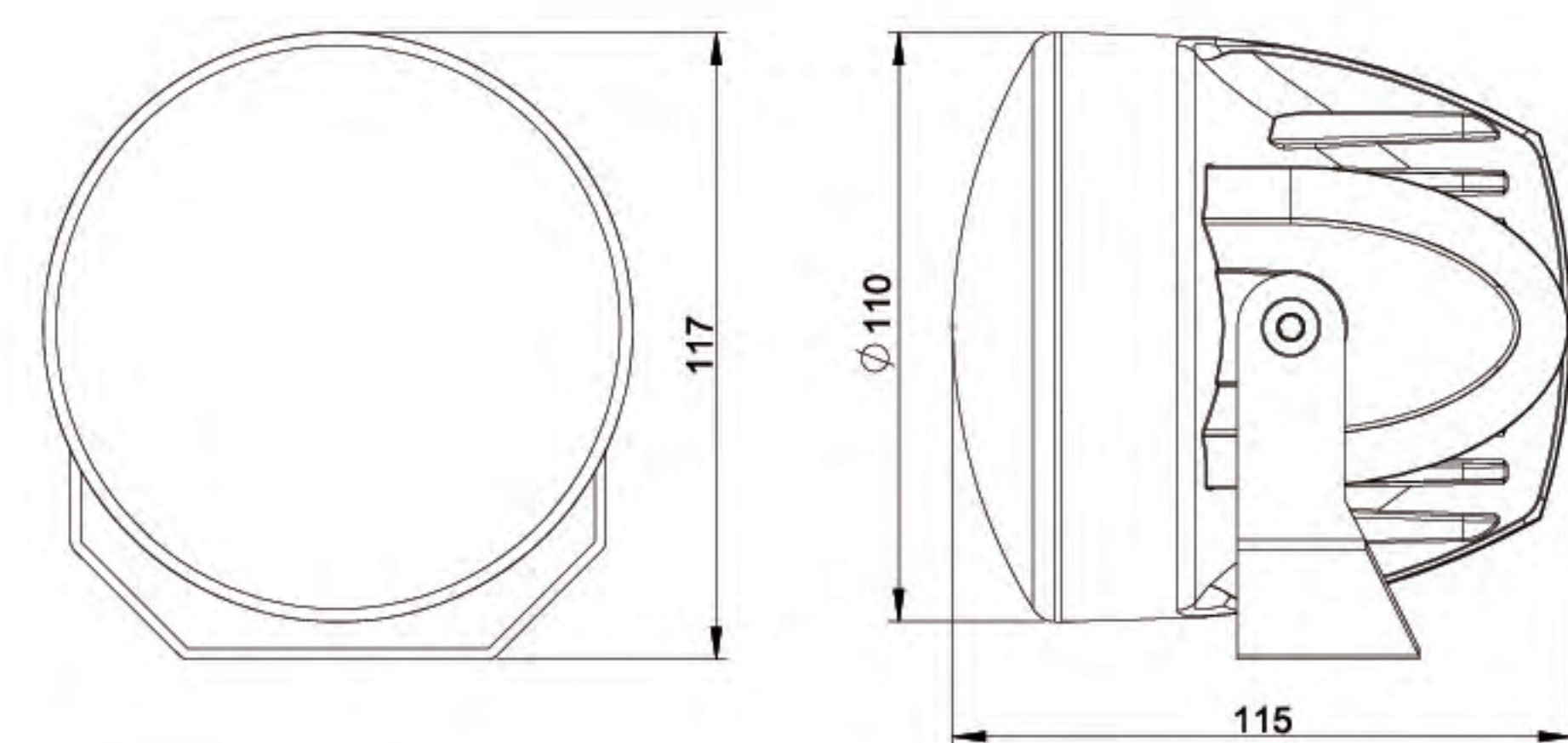
AUXILIARY  
DRIVING LIGHTS



G20601



G20602

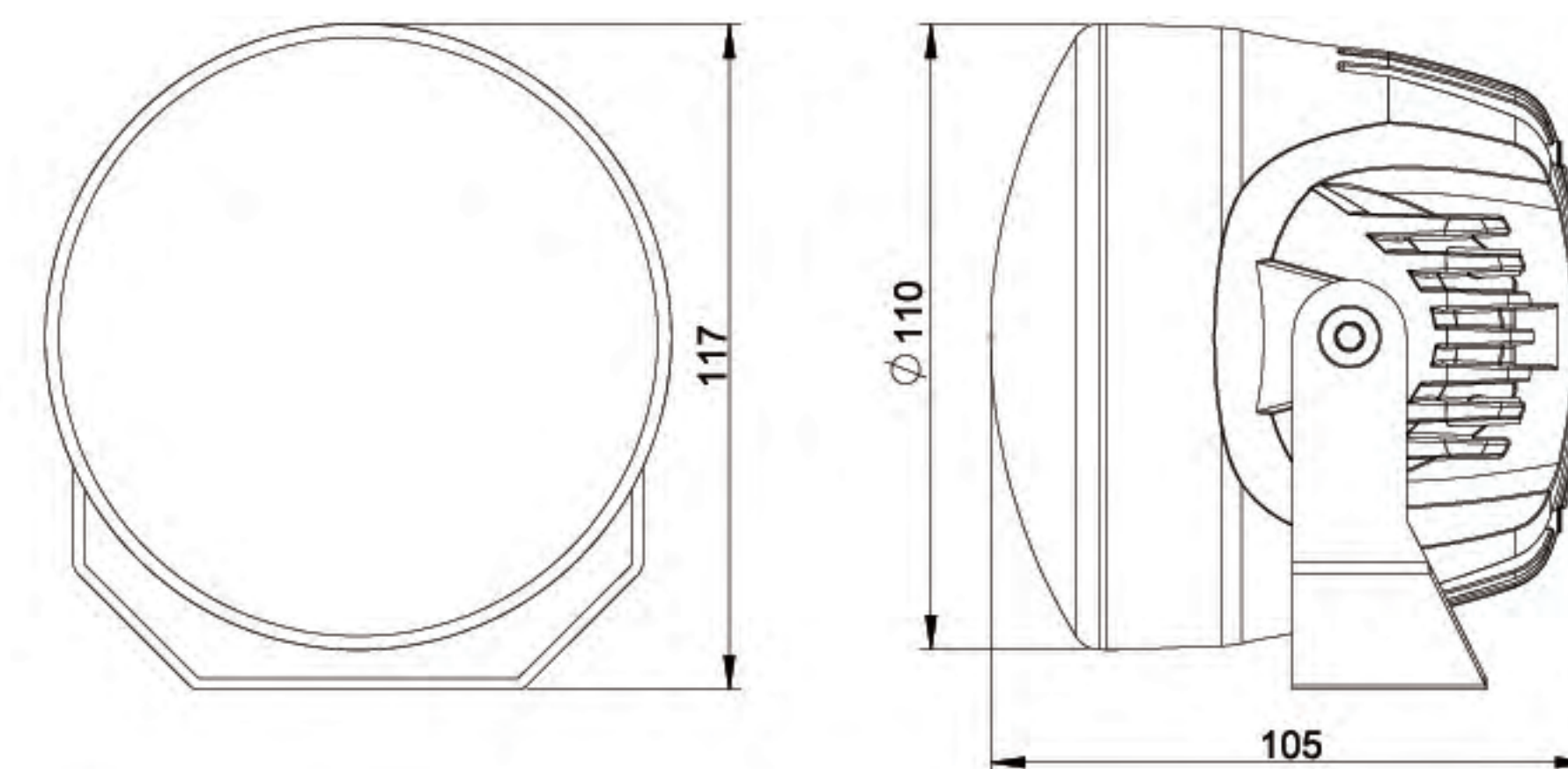


ITEM#	WATTS	AMP DRAW @12V	AMP DRAW@24V	DIMENSIONS
G20601	14W	1.2A	0.6A	H117 x W110 x D105 mm
G20602	14W	1.2A	0.6A	H117 x W110 x D115 mm

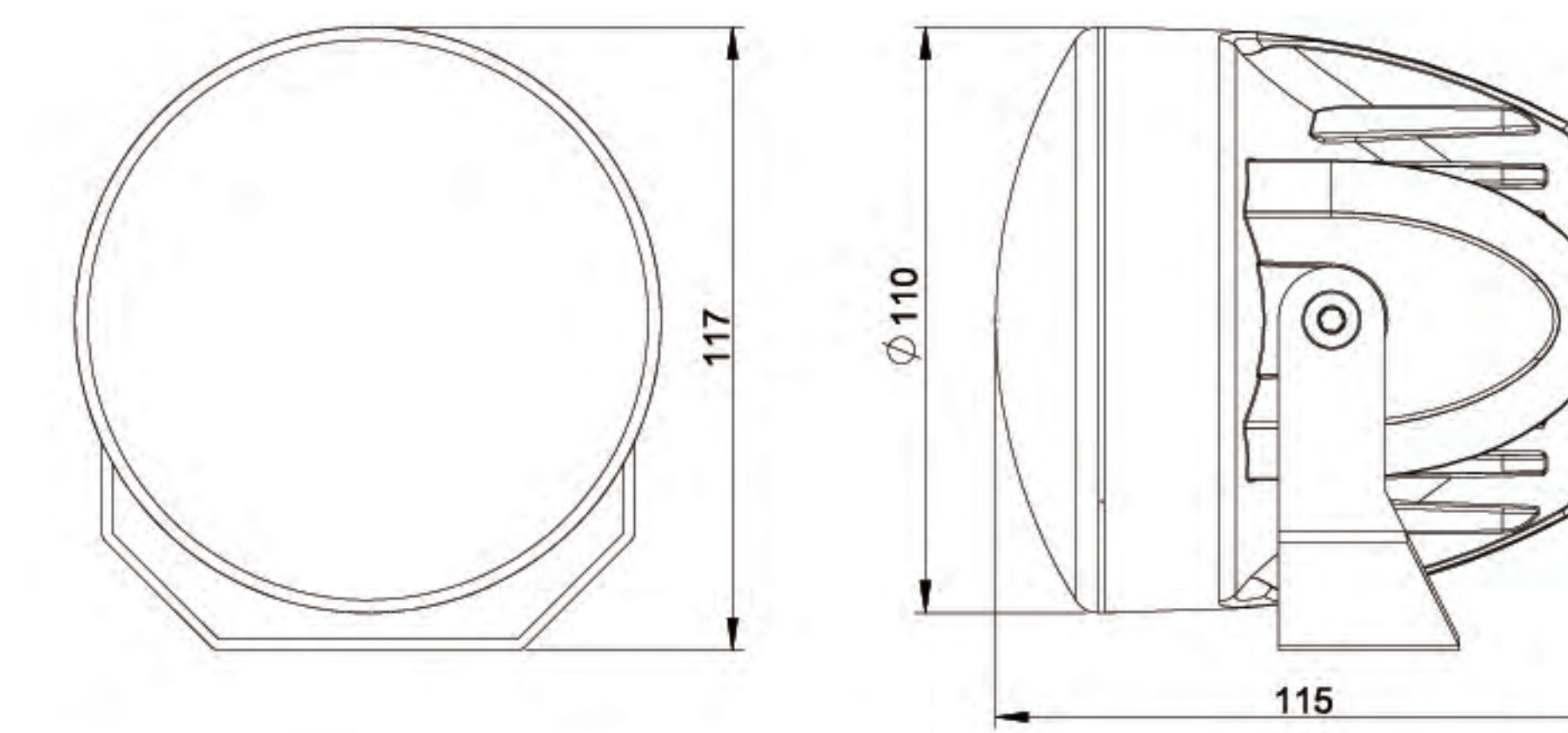
G207 SERIES



G20701



G20702



ITEM#	WATTS	AMP DRAW @12V	AMP DRAW@24V	DIMENSIONS
G20701	14W	1.2A	0.6A	H117 x W110 x D105 mm
G20702	14W	1.2A	0.6A	H117 x W110 x D115 mm