

嚴謹、真誠、創新

DISCREET
SINCERE
INNOVATIVE

A-ONE CRANE CO., LTD., a reliable crane manufacturer, was founded since 1975. With years, we insist on the principles of "discreetness, sincereness, innovation" as our company motto to focus on professional design, manufacturing, and maintenance for cranes, end carriages and gear motors.

Currently, we market four major product lines under self-owned brands "A-one" and "CHEC" including Parallel Shaft Helical Gear Motors-GM, Gear Motors for Trolley and End Carriage-LK&NK, End Carriages-EC, Crane trolley, and Wheel Block Travel Units-BW Series.

A-ONE CRANE CO., LTD. is ISO 9001 certified, receiving CE marking Certification and china CCC certification. Through years of dedication to product development, we actively seek for the highest level of product quality and extending customer service to continuously improve customer satisfaction.

We believe our company will be the best choice for your need, and we are looking forward to serving you in the near future.

泓鑫電機企業有限公司自1975年成立以來，一直以來秉持「嚴謹、真誠、創新」的經營理念致力於專業起重機、馬達減速機之設計、製造、與服務。

公司目前以自有品牌 "A-one"、"CHEC 建鑫牌" 行銷4大產品線，其中包含中空平行軸螺旋齒輪減速-GM系列、電動吊車鞍座、台車、以及小車專用減速機馬達-LK&NK系列、起重機用鞍座大車-EC系列、起重機用組合式輪箱組-BW系列。

泓鑫電機於1999年正式通過ISO 9001品質認證，旗下所有系列產品亦均通過第三方CE認證與中國CCC認證。為不斷提升顧客滿意度，除堅持高品質及延伸顧客服務外，更不斷積極致力於產品開發、持續創新及擴大產品應用範疇以符合顧客需求。

我們堅信我們能夠針對您的需求提供最好的選擇，且期待為你服務。

泓鑫電機企業有限公司
A-ONE CRANE CO., LTD.

No.123, Desheng Rd., Daya Dist.,
Taichung City 42846, Taiwan, R.O.C.
TEL : 886-4-25602355~7
FAX : 886-4-25600999
Email : chec123@ms25.hinet.net



A-one®

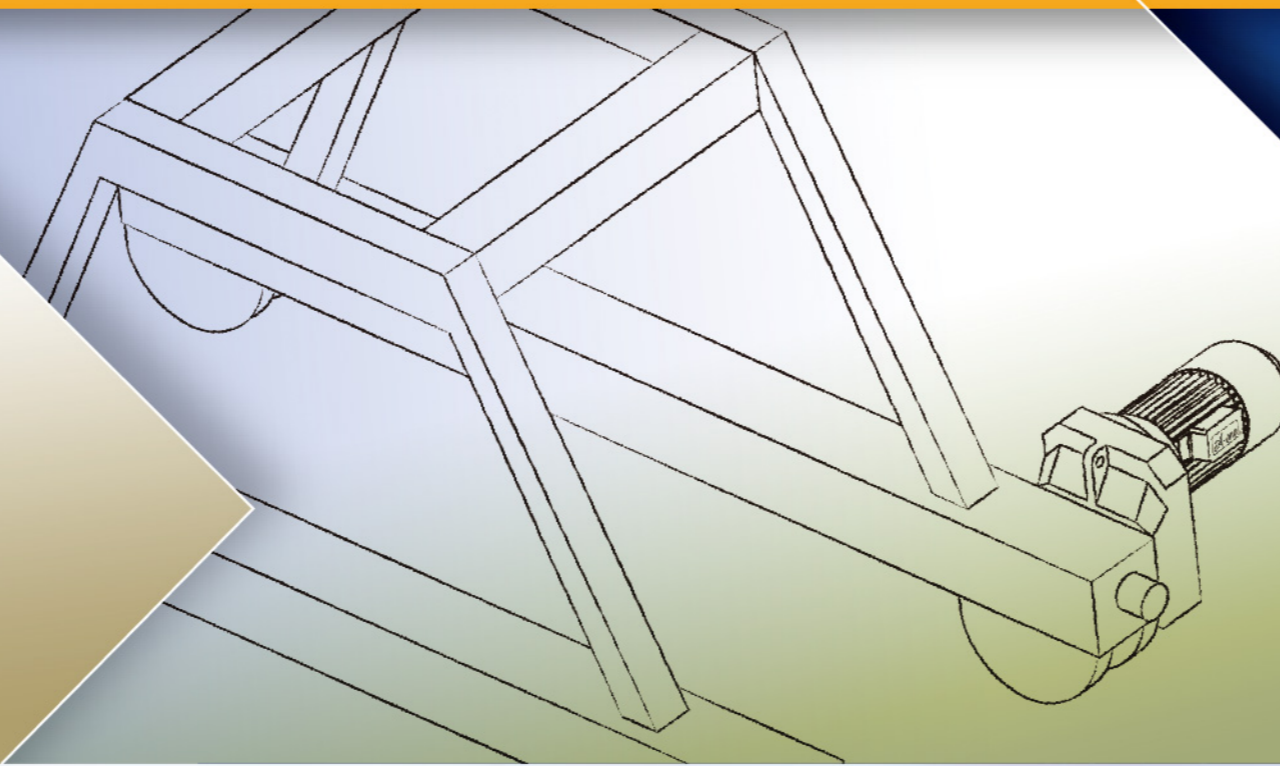
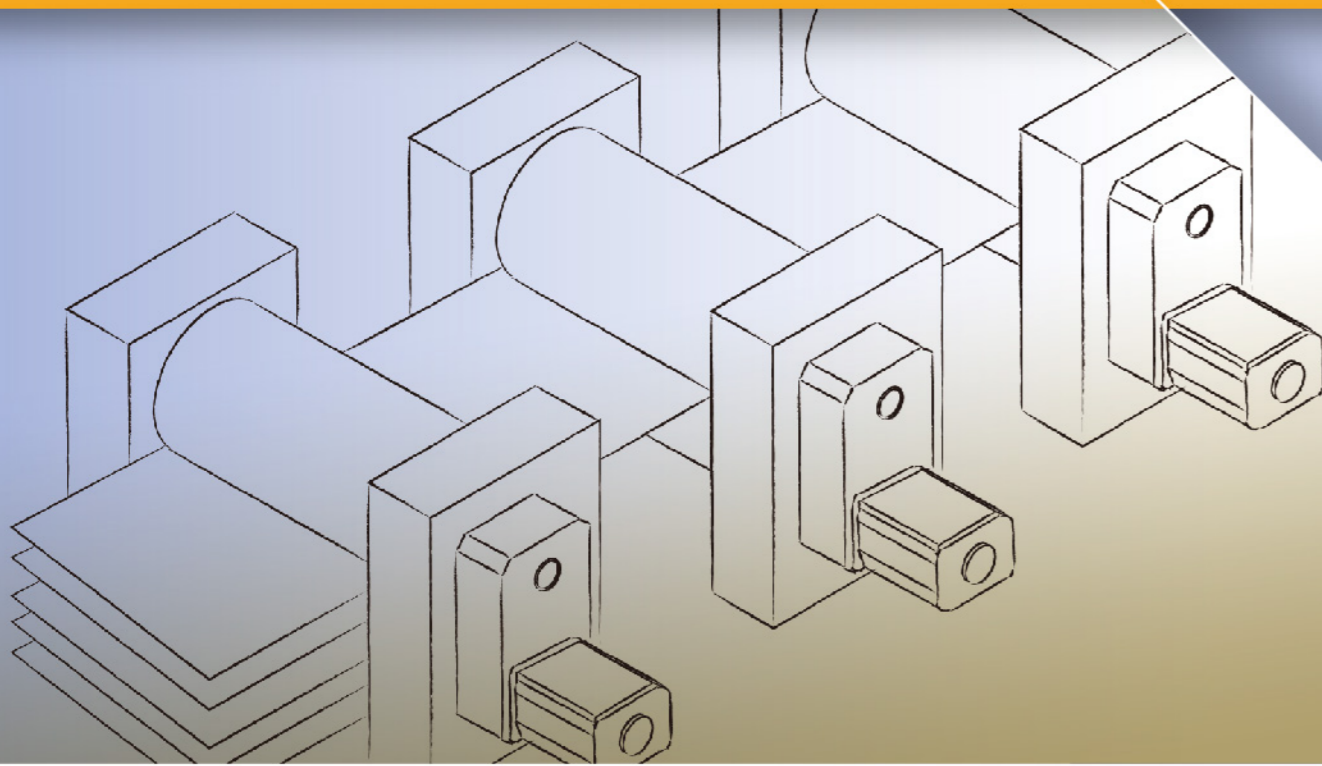
CHEC
建 鑫

A-ONE
GEAR MOTORS

PARALLEL SHAFT HELICAL GEAR MOTORS
PARALLEL SHAFT HELICAL GEAR UNITS

平行軸型馬達減速機

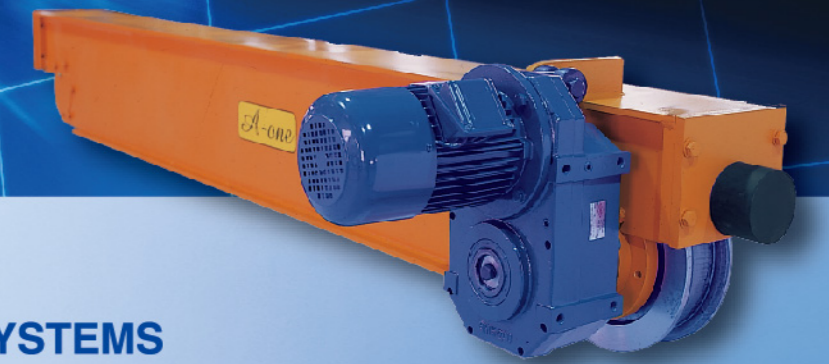
www.a-onecrane.com



END CARRIAGE AND TROLLEY — EC/BW SERIES

This product can be applied to much equipment such as cranes, mobile factory systems, transport trolleys, etc.

- Wheel diameter: 125mm ~ 630mm
- Max. wheel load: 35kN ~ 500kN
- Travelling speed: 5m/min ~ 100m/min



A-ONE減速傳動—值得你信賴的傳動系統

齒輪箱

- 減速機的堅固機體採用優質鑄鐵材質以及精確加工成型。
- 減速機本體外觀採八角形式設計，除了美觀外可兼顧六種方向安裝方式選擇以及排氣、注油、洩油位置之方便性。
- 齒輪與軸心採用合金鋼材並經表面硬化熱處理達到強化應有的嚴謹設計條件。
- 齒輪齒面加工等級採用精密研磨方式達ISO 7、AGMA 11 以上。
- 採用螺旋齒輪設計，具較佳強度設計，嚙合性高、運轉平穩且噪音低、高效率的扭矩傳遞和低背隙的特性。
- 減速機採用先進模組化設計，多樣的減速比、多樣化連結法蘭設計、多樣化的安裝方式選用以符合客戶慣性採用及實現整體一致性的設計。
- 輸出軸除了可選擇實心軸或中空軸式安裝外，另外還有平鍵式(DIN6885)、梅花鍵式(DIN5480)以及免鍵軸套式的安裝。
- 齒輪之運轉採用油浴式潤滑並依據使用環境條件搭配合適的ISO VG 220或ISO VG 320黏度等級潤滑油以降低齒輪運轉磨耗程度，延長使用壽命。循環油浴可另外諮詢。
- 齒輪箱體油封採用耐高溫耐磨耗雙效防漏設計，有效防止潤滑油溢出。

馬達

- 減速機傳動電機採用鼠籠式馬達設計，具經濟方便、高優質性能，結構簡單維護方便。
- 馬達設計規範符合IEC 60034國際電工協會標準規範，通過CE、中國CCC (3C)安規認證。
- 馬達本體設計選用F級絕緣保護等級、IP54 與IP55 防水防塵保護等級、IC411 或 IC416 馬達冷卻方式，備有各種地區電壓供應。另可依需求額外加裝溫控保護或空間加熱器。
- 馬達煞車採用彈簧制動式安全煞車，其運作時靈敏迅速，制動力矩大小可調整且維護方便，另有防塵套與手動煞車釋放機構做選用。

A-ONE減速機可應用各種專用設備如切料送料機、攪拌混和機、物料輸送引導機構、上下水平位移機構、軋光機、壓花機、壓延機等；亦可應用產業設備如橡膠膠機械、起重機、紡織機械、輸送機械、環保機械等專業設備。



PARALLEL SHAFT GEAR MOTOR — GM SERIES

- Max. output torque: 250Nm ~ 16500Nm
- Ratio: 4 ~ 224 (up to 1800:1)
- Output hollow shaft: 25mm ~ 110mm Keyway or Spline

INDUCTION MOTOR:

- Horsepower: 0.18kW ~ 45.00kW (4P, 6P, 2/8P, 4/12P)
- Power supply: 3PH - 200V ~ 600V (50/60Hz)

A-ONE REDUCTION SYSTEMS — RELIABLE TRANSMISSION SYSTEMS

GEAR BOXES

- High strength cast iron is selected to use for all gear boxes.
- Gear units are available for foot or flange mounting and can be installed in six directions and positions provided. The special design of oil seals makes gear boxes pressure resistant, heat resistant, dust-proof, waterproof, and effective in preventing lubricant from leaking out.
- Alloy steel is used for gears and shafts. All gears are processed with carbonizing hardening and gear surface grinding.
- The precision level of gears is up to the standard of ISO 7 or above (equal to AGMA11).
- Gear boxes are designed with helical gears which makes it operate smoothly and quietly. It is characteristic of good strength, high torque, and low backlash.
- The design of A-ONE gear units applies European module. Various ratios, mounting flanges, and installation ways are designed to correspond with the usage of customers.
- Both output solid shaft gear units and output hollow shaft units can be connected by keyways (DIN6885), splines (DIN5480) and shirk discs.

- Gear units by oil splash apply ISO VG 220 or ISO VG 320 lubricating oil based on different environmental conditions required, which can effectively reduce the wear of gears and increase the working life of gears. The design of oil filling ports and oil drains makes it easy to change oil. A breather plug supplied can avoid air remaining in the gear box.

MOTORS

- The CE marking & China CCC certification are received for all products. A-ONE gear motors apply the design of high-performance squirrel cage motors conforming to IEC 60034.
- Insulation: class F
- Outside structure protection of the motor: IP54 or IP55
- Cooling: IC411 or IC416
- Thermal protectors and space heaters are also available for options.
- Gear motors can be equipped with a built-in spring loaded disk safety brake. There is also a manual release available for options.

A-ONE gear motors can be applied to much equipment such as cutting material feeders, mixing machines, conveyor machines, lifting or horizontal displacement mechanisms, calendaring machines, embossing machines, rolling machines, etc. They also can be applied to industrial equipment, for example, plastic machinery, cranes, textile machines, conveyors, environmental protection machinery and other specialized equipment.



GEAR MOTOR FOR TROLLEY AND END CARRIAGE — LK/NK Series

- Horsepower: 0.18kW ~ 7.5kW (4P, 6P, 4/8P, 4/12P, 2/8P)
- Power supply: 3PH - 200V ~ 600V (50/60Hz)
- Output pinion (Module): M3.0, M3.5, M4.0, M5.0, M6.0, M8.0