



www.lihaitec.com

otomat / Eziturn / Eziturn⁺

The best choice

of the automatic precision lathe

Solve the problem of staff shortage ↙



LIHAITEC
LIHAITEC ENTERPRISE CO., LTD.

TEL : 886-4-2561-0725
FAX : 886-4-2561-0726
ADD : No. 36-2, Minquan Rd., Shengang Dist., Taichung City 42948, Taiwan
e-mail: lihaitec@gmail.com



otomat
Series

OT-470T
OT-520T
OT-560T
OT-660T

Ezitur

Ezitur+

Series

ST-360 ST-660
ST-470 ST-770
ST-520 ST-840
ST-460 ST-1070
ST-540 ST-1270
ST-560 ST-1300
ST-630 ST-1600

● Standard ○ Option × No Function

Control Function

	otomat	Ezitur	Ezitur ⁺	
Single Function (Auto)	Turning -Ext./Int.	● (Ext.)	●	●
	Facing -Ext./Int.	●	●	●
	Taper -Ext./Int.	● (Ext.)	●	●
	Grooving -Ext./Int.	×	●	●
	Threading(mm/inch) -Ext./Int.	● (Ext.)	●	●
	Taper Threading (mm/inch)-Ext./Int.	×	●	●
	Radius -Ext./Int.	×	●	●
	Face Grooving	×	●	●
	Drilling	×	●	●
Profile Link Function	Turning -Ext./Int.	×	×	●
	Facing -Ext./Int.	×	×	●
	Taper -Ext./Int.	×	×	●
	Grooving -Ext./Int.	×	×	●
	Threading (mm/inch) -Ext./Int..	×	×	●
	Taper Threading (mm/inc)-Ext./Int.	×	×	●
Radius -Ext./Int.	×	×	●	
Aux. Function	Tools changing position setting	●	●	●
	Tool offset setting	●	●	●
	Face trimming	●	●	●
	Rough / Finish cutting setting	●	●	●
	Coolant follow with program	●	●	●
	Metric / Inch display	●	●	●
	Diameter / Radius read out	●	●	●
	Datum point position setting	●	●	●
	Automatic lubrication system	○	●	●
	I / O Check screen	●	●	●
	Portable MPG hand wheel	×	●	●
	MPG Control of the program run	×	●	●
	Program storage capacity (30 sets/mode)	●	●	●
	USB storage	×	×	●
CSS	×	●	●	
Option Function	Repair thread	×	×	×
	Reverse cutting (from spindle to tail stock)	×	●	●
	Multi threads	×	×	×
	CAM input	×	×	×
	G / M code edit	×	×	×
Accessories	Electric 4 way toolpost	×	○	○
	Hydric Chuck	×	○	○
	Hydric tailstock	×	○	○
	6 / 8 tools turret	×	×	○
	Portable MPG hand wheel	×	○	○

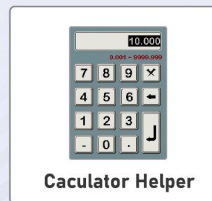
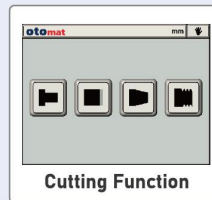
SPECIFICATION

	otomat	Ezitur	Ezitur ⁺
Graph			
Screen			
Spect.	8" Touch screen X / Z Servo motor	8" Touch screen X / Z Servo motor	10" Touch screen X / Z Servo motor
Std.	1. Conventional headstock 2. Conventional gear box 3. Conventional apron 4. X/Z Leadscrew 5. Safety hand wheel 6. Manual 4 way toolpost	1. Manual spindle speed change 2. MPG. 3. X / Z Ball screw 4. Z ball screw cover 5. Manual 4 way toolpost 6. Auto Lubrication	1. Inverter Spindle motor 2. MPG 3. X / Z Ball screw 4. Manual 4 way toolpost 5. Full guarding 6. Auto Lubrication 7. Work light 8. Coolant system 9. Auto speed changer
Opt.	1. Quick change toolpost 2. Lead screw cover 3. Rear splash guard 4. Chuck guard 5. Toolpost guard 6. Work light 7. Coolant system 8. Auto Lubrication	1. Inverter Spindle motor 2. Quick change toolpost 3. Electric 4 way toolpost 4. 10" Touch screen 5. Rear splash guard 6. Chuck guard 7. Toolpost guard 8. Work light 9. Coolant system 10. Auto speed changer 11. Portable MPG.	1. Quick change toolpost 2. Electric 4 way toolpost 3. Turret toolpost - 8T 4. Portable MPG. 5. Coolant tank

otomat

SERVO AUTOMATIC CONVENTIONAL LATHE

- The best partner for the automation of conventional lathe machine
- Automatic cutting with axial servo control system
- Maintains the operating mode of a conventional lathe
- Easy to learn and use
- Touch screen
- Provide coordinate display function in manual mode
- No need to install Taper turning attachment.



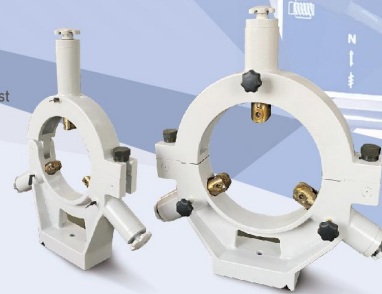
LIHAITEC
LIHAITEC ENTERPRISE CO., LTD.

Standard accessories

- Centers
- Tools and tool box
- Operate manual and parts list
- 4 way tool post

Optional accessories

- 3 Jaw scroll chuck
- 4 Jaw independent chuck
- Face plate
- Steady rest
- Follow rest
- Work light
- Change gears for D.P and module thread
- Auto lubrication
- Chuck guard
- Rear splash guard
- Quick change tool post
- Chip guard
- Coolant system



▼ Steady Rest



▼ Chuck Guard

ITEM		OT-470T	OT-520T	OT-560T	OT-660T
Swing Over Bed	mm	470 (19"	520 (21"	560 (22"	660 (26"
Swing Over CrossSlide	mm	280	330	340	440
Distance between Centers	mm	560/1000/1500/2000		1000/1500/2000	
Swing Over Gap	mm	690	740	788	890
Bed Width	mm	300		350	
Spindle Nose		A1-6 (A1-8 D1-6 D1-8 Opt.)		A2-8 (D1-8 Opt.)	
Spindle Bore diameter	mm	Φ58 (Φ80 Opt.)		Φ85 (Φ105 Opt.)	
Taper of Spindle Bore		MT 6 (MT 7 Opt.)		MT 7	
Spindle Speed	rpm	20-2000 rpm(12 Steps), 40-2000 rpm		15-1500rpm(12 Steps) / 14-1380 rpm	
Inch Threads Range	TPI	4-56 TPI		2-56 TPI	
Metric Threads Range	mm	P0.5-P7		P0.5-P14	
Longitudinal Feed Rate	mm	0.05-0.8		0.05-0.8	
Cross Feed Rate	mm	0.02-0.36		0.02-0.36	
Leadscrew Diameter	mm	35		38	
Leadscrew Pitch		4 TPI or 6mm			
Taper of Tailstock Quill		MT4		MT5	
Travel of Tailstock Quill	mm	150		190	
Tailstock Quill Diameter	mm	68		75	
Main Drive Motor	HP	5 (7.5 Opt.)		7.5 (10 Opt.)	
Coolant Pump	HP	1/8			
Compound Slide Travel	mm	125		200	
Cross Slide Travel	mm	250	275	350	

Ezitur

Servo Automatic Single Function Lathe

- X / Y Axis with ballscrew
- Automatic cutting with axial servo control system
- Automatic cutting of external or internal single function
- Easy to learn and use
- Touch screen



Standard accessories

- Centers
- Tools and tool box
- Operate manual and parts list
- 4 way tool post
- Auto lubrication

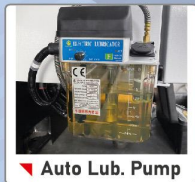
Optional accessories

- 3 Jaw scroll chuck
- 4 Jaw independent chuck
- Face plate
- Steady rest
- Follow rest
- Work light
- Chuck guard
- Rear splash guard
- Quick change tool post
- Chip guard
- Coolant system
- Coolant tank

▼ Steady Rest



▼ Chuck Guard



▼ Auto Lub. Pump



▼ Coolant System

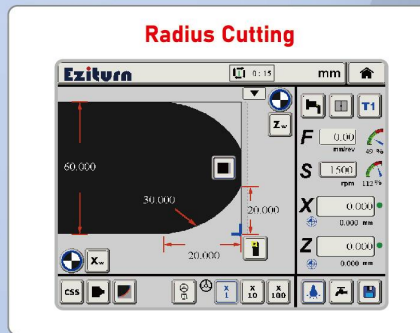
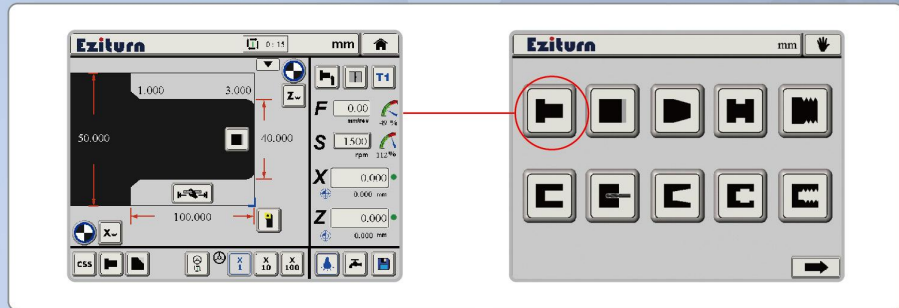
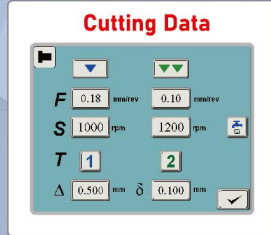


Intuitive Intelligent Touch Screen Control System

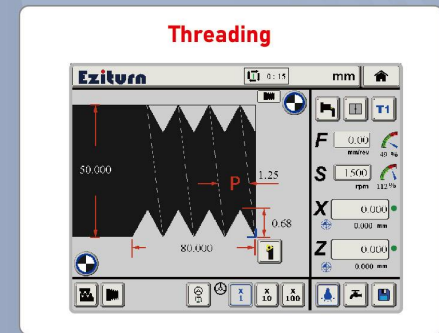


Control system feature :

1. Full automatic cutting function , modal setting.
2. Intuitive graphic input.
3. Simple edit and setting profile cutting function.
4. No need learning CNC program edit and CAD software.
5. Can store program.



Radius Cutting



Threading

Ezitur⁺

Servo Automatic Advanced Lathe

Bridge the gap between Conventional and CNC Turning machine

Standard accessories

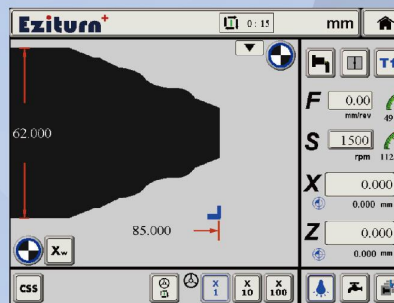
- Spindle drive by inverter
- MPG. Handle wheel
- X / Z axis ballscrew
- 4 way toolpost
- Full guarding
- Auto lubrication
- Work light

Optional accessories

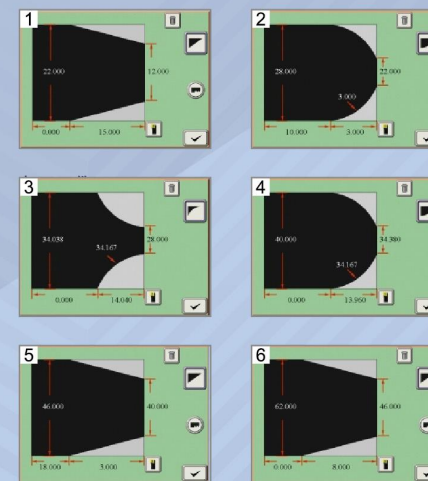
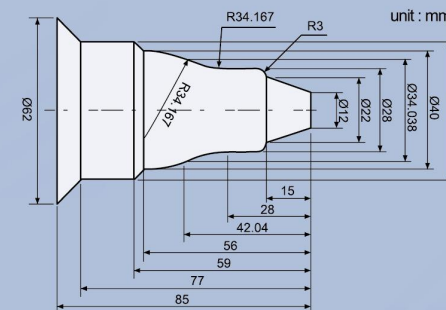
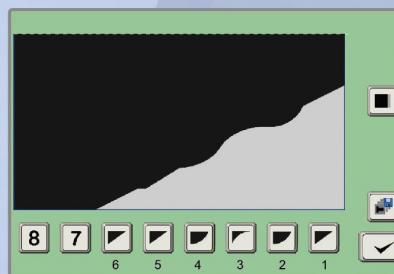
- Quick change toolpost
- Electric 4 way toolpost
- Servo 8T Turret
- Portable MPG.
- Coolant tank



Profile cutting function



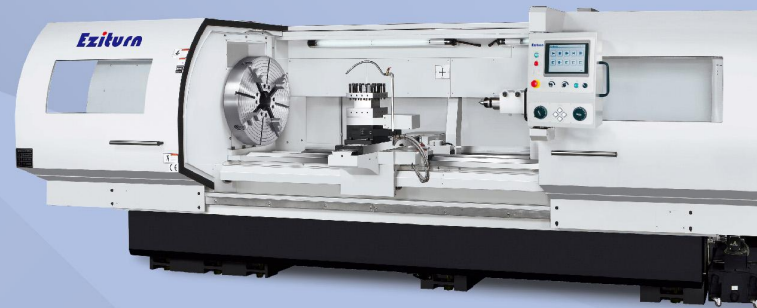
Max. 8 segments graphics to connect



Ezitur Ezitur+

Intuitive Intelligent Touch Screen Control System

Simple operate interface can easy instead the conventional lathe.
Solve the problem of staff shortage



ITEM		ST-360	ST-470	ST-520	ST-460	ST-540	ST-560
Swing Over Bed	mm	360 (14")	470 (19")	520 (21")	460 (18")	540(21")	560 (22")
Distance between Centers ^{mm}		1000	560/1000/1500/2000		1000/1500/2000		
Swing over cross slide	mm	225	280	330	230	310	340
Bed width	mm	190	300		350		
Spindle type		D1-4	A1-6, D1-6 (D1-8)		D1-6	D1-8 (A1-11)	A2-8 (D1-8)
Spindle bore	mm	Φ40	Φ58 (Φ80)		Φ56	Φ85 (Φ105)	Φ85
Spindle taper		MT 5	MT 6 (MT 7)		MT5		MT7
Spindle speed	rpm	H:300-2200 L:36-300	H:181-2000 L:20-180		H:681-3100 M:153-680 L:33-152	H:491-2250 (H:331-1500) M:126-490 (M:93-330) L:27-125 (L:20-92)	H:136-1380 L:15-135
Spindle drive		Inverter					
Tailstock quill diameter	mm	Φ40	Φ68		Φ75		
Tailstock quill travel	mm	100	150		170		190
Tailstock quill taper	mm	MT 3	MT 4		MT5		
X Axis rapid feed rate	M/min				10		
Z Axis rapid feed rate	M/min				10		
X Axis ball screw	mm	Φ20, P5 C5	Φ20, P5 C5		Φ25, P5 C5		
Z Axis ball screw	mm	Φ32, P5 C5	Φ38, P10 C5		Φ40, P10 C5		
X Axis travel	Mm	165	250	275	280	350	
Z Axis travel	Mm	900	500/900/1400/1900		900/1400/1900		
Spindle motor	HP	3	7.5 (10)		10 (15)		

ST-630	ST-660	ST-770	ST-840	ST-1070	ST-1270	ST-1300	ST-1600
630 (25")	660 (26")	770(30")	840(33")	1070(42")	1270(50")	1300(51")	1600(63")
1000/1500/2000	1000/1500/2000/ 3000/4000/5000	1500/2000/3000/4000/5000		1500/2000/3000/4000/5000/6000			
400	440	500	570	744	944	900	1200
350	350 (450 Opt.)	450		610		770	
D1-8 (A1-11 Opt.)	A2-8 (D1-8 A2-11 Opt.)		A2-11	A2-11 (A2-15 Opt.)		A2-11 (A2-15 A2-20 A2-28 Opt.)	
Φ85 (Φ105 Opt.)	Φ85		Φ105 (Φ155 Opt.)	Φ155 (Φ23 Opt.)		Φ155 (Φ230 Φ305 Φ410 Opt.)	
MT5	MT7 (MT6 Opt.)		MT5		MT6		
H:491-2250 (H:331-1500) M:126-490 (M:93-330) L:27-125 (L:20-92)	H: 136-1380 (H:491-2250) (M:126-490)		H:331-1500 (H:176-800) M:93-330 (M:53-175) L:20-92 (L:11-52)		H:151-750 (H:111-560) M:31-150 (M:21-110) L:6-30 (L:4-20)	H:151-750 (H:111-560) M:31-150 (M:21-110) L:6-30 (L:4-20)	H:54-270 M:11-53 L:2-10
Inverter							
	Φ75	Φ105		Φ165			
170	190	220		300			
	MT 5		MT6				
				10			
				10			
	Φ25, P5 C5		Φ28, P5 C5		Φ40, P8 C5		
	Φ40, P10 C5		Φ50, P10 C5		Φ80, P16 C5		
	350			450		580	680
						830	
900/1400/1900	900/1400/1900/2900/3900/4900	1400/1900/2900/3900/4900		1400/1900/2900/3900/4900/5900			
10 (15 Opt.)	10 (15 20 Opt.)		15 (20 Opt.)		20 (30 40 Opt.)		