

HIGH SPEED **ARBOR**



世承有限公司 2012

SHIH CHENG TOOLS 專業刀桿—設計、製作、生產



世承有限公司
SHIH CHENG CO., LTD.

公司簡介 奕鑫精密成立於1987年，早期以機械零配件、高速主軸及國內數家刀桿代工業務為主，其至今已有24年之久。

我們擁有經年豐富的實務經驗，結合專業人才與高精密機器，積極開發高速刀桿以配合國內業者之需求，也獲得各界的一致好評。2008年，成立世承有限公司，承接 **TOP TOOL** 品牌刀桿與配件之製作與行銷；我們有能力快速幫客戶處理特殊刀桿，而且由於工廠自己生產行銷，所以可以降低成本，大大的提升您的競爭力。為了避免市場混淆不清情形，世承有限公司於2012年元月一日起，將以 **SCT** 品牌上市正名。

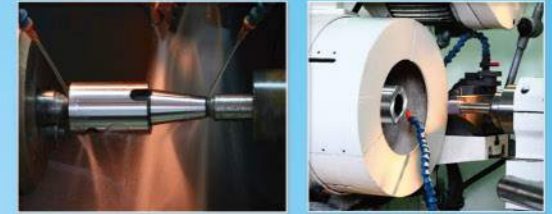
我們持續秉持著「客戶第一、品質為先」的理念，創造「高品質、高精密、高效能」之產品，世承有限公司將本著一貫精神，精益求精，為高速刀桿的提升而努力。

精密完善的生產機械與設備

Completly machinery and euqipment

設備介紹

- ◆ 日本Mazak CNC車床--10台
- ◆ 日本Mazak CNC車/銑複合機--2台
- ◆ 亞威精機CNC銑床--2台
- ◆ 高精密內外徑研磨機--數台
- ◆ HAIMER動平衡機--1台





專業刀桿－設計、製作、生產
Professionally Manufactured HIGH QUALITY, HIGH PRECISION, HIGH EFFICIENT



HIGH SPEED ARBOR
高品質、高精密、高效能

P1  SC 後拉筒夾刀把 High Speed Collet Chuck	P2  SR 燒結式刀把 SR Shrink Fit Chuck	P3  ISO 雕刻機 - GSK系列 ISO ARBOR - GSK Series	P4  ISO 雕刻機 - GER系列 ISO ARBOR - GER Series
---	--	---	--

P17  BT-OZ 立銑刀桿 BT-OZ Collet Chuck	P18  NT-OZ 立銑刀桿 NT-OZ Collet Chuck	P19  NT-ER 彈性筒夾刀桿 ER Collet Arbor	P19  R8 型刀桿 ER Collet Arbor
--	--	---	---

P5  GSK 高速刀桿 GSK High Speed Chuck	P6  TSK 高速刀桿 TSK High Speed Chuck	P8  GER 高速彈性筒夾刀桿 GER High Speed Collet Chuck	P9  微調精搪頭 Boring Head
---	---	---	---

P19  MT-ER 莫式錐度刀桿 ER Collet Arbor	P20  NT-FMA/FMB 平面銑刀桿 Face Mill Arbor	P21  NT-SLA 側固式刀桿 End Mill Arbor	P21  NT-JT 鑽夾心軸刀桿 Jacobs Taper Drill Chuck Holder
---	---	--	---

P9  微調精搪頭+推拔柄 Boring Head + Shank (A)	P10  微調精搪頭+推拔柄+捨棄式刀桿 Boring Head+Shank+Tool (C)	P10  微調精搪頭 (套裝) Boring Head Sets (D)	P11  ER 標準型筒夾刀桿 ER Collet Arbor
---	---	---	---

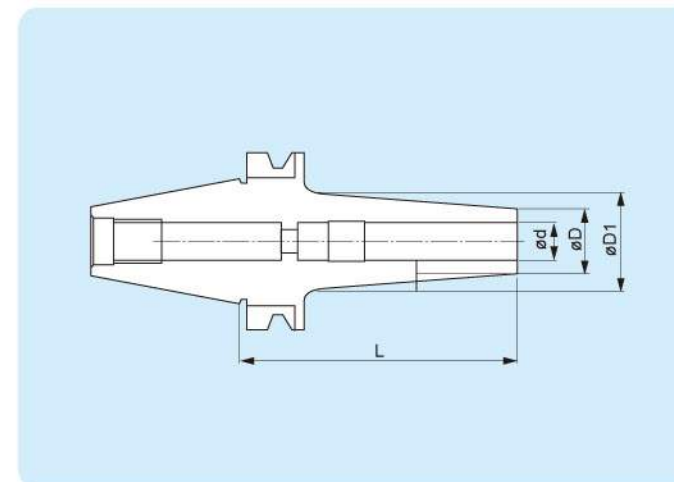
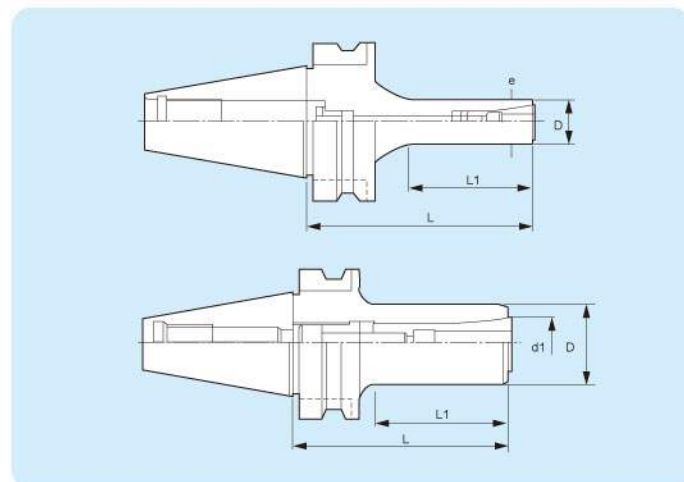
P22  延長桿 Collet Holders with Straight Shank	P23  拉桿螺栓 Pull Studs	P24  光電式尋邊器 Optical Edge Finder	P24  偏心式尋邊器 Mechanical Edge Finder
---	--	---	--

P13  BT-FMA 平面銑刀桿 Face Mill Arbor/FMA	P14  BT-FMB 平面銑刀桿 Face Mill Arbor/FMB	P15  BT-APU 鑽夾頭刀桿 Drill Chuck Arbor	P15  BT-SPH 直結式自動夾頭 Drill Chuck Holder
---	---	--	--

P25  光電式Z軸設定器 Axial Preset Gauge	P25  Z 軸設定器 Z Axial Preset Gauge (Indicator Type)	P25  Z 軸設定器附錶型 Axial Preset Gauge	P26  刀具管理車/刀具架 Wagow/Tooling Rack
--	---	---	---

 BT-SLA 側固式刀桿 Sidelock End Mill Arbor	P16  BT-DCM 強力銑刀桿 Milling Chuck	P17  BT-MTA/MTB 莫式錐度刀桿 Morse Taper Arbor	P17  BT-MTB 莫式錐度刀桿 Morse Taper Arbor
--	---	---	--

P26  三次元探測量錶 3D-TASTER	P26  鎖刀座 Tool Holder Locking Device	P26  主軸清潔棒 Spindle Taper Wipers	P26  萬能夾具 Clamping Kit
--	---	---	--



- ◆ SC刀桿適用於高速精密加工。
- ◆ SC tooling systems are suitable for high speed and high precision cutting.
- ◆ 無螺帽設計，加工時降低物件干涉。
- ◆ Tool holder designed without nut that reduce the vibration of cutting.
- ◆ 筒夾後拉式設計：裝取簡易操作。
- ◆ Max speed: 30,000 r.p.m G2.5

Model No.	Gripping Range	L	D	Collet
BT30-SC06-60	2~6	60	13	SC6
BT30-SC06-90	2~6	90	13	SC6
BT30-SC06-130	2~6	130	13	SC6
BT30-SC08-60	3~8	60	16	SC8
BT30-SC08-90	3~8	90	16	SC8
BT30-SC08-130	3~8	130	16	SC8
BT30-SC12-80	3~12	80	34	SC12
BT30-SC12-130	3~12	130	34	SC12
BT40-SC06-60	2~6	60	13	SC6
BT40-SC06-90	2~6	90	13	SC6
BT40-SC06-130	2~6	130	13	SC6
BT40-SC08-60	3~8	60	16	SC8
BT40-SC08-90	3~8	90	16	SC8
BT40-SC08-130	3~8	130	16	SC8
BT40-SC12-80	3~12	80	34	SC12
BT40-SC12-130	3~12	130	34	SC12

Model No.	ød	øD	øD1	L
BT30-SR06-80	6	16	21	80
BT30-SR06-130	6	16	21	130
BT30-SR08-80	8	18	23	80
BT30-SR08-130	8	18	23	130
BT30-SR10-80	10	22	27	80
BT30-SR10-130	10	22	27	130
BT30-SR12-80	12	24	29	80
BT30-SR12-130	12	24	29	130
BT30-SR16-80	16	28	33	80
BT30-SR16-130	16	28	33	130
BT40-SR06-90	6	16	21	90
BT40-SR06-130	6	16	21	130
BT40-SR08-90	8	18	23	90
BT40-SR08-130	8	18	23	130
BT40-SR10-90	10	22	27	90
BT40-SR10-130	10	22	27	130
BT40-SR12-90	12	24	29	90
BT40-SR12-130	12	24	29	130
BT40-SR16-90	16	28	33	90
BT40-SR16-130	16	28	33	130
BT40-SR20-90	20	34	41	90
BT40-SR20-130	20	34	41	130
BT40-SR25-90	25	44	51	90
BT40-SR25-130	25	44	51	130
BT40-SR32-90	32	44	51	90
BT40-SR32-130	32	44	51	130
BT50-SR06-105	6	16	21	105
BT50-SR06-150	6	16	21	150
BT50-SR08-105	8	18	23	105
BT50-SR08-150	8	18	23	150
BT50-SR10-105	10	22	27	105
BT50-SR10-150	10	22	27	150
BT50-SR12-105	12	24	29	105
BT50-SR12-150	12	24	29	150
BT50-SR16-105	16	28	33	105
BT50-SR16-150	16	28	33	150
BT50-SR20-105	20	34	41	105
BT50-SR20-150	20	34	41	150
BT50-SR25-105	25	44	51	105
BT50-SR25-150	25	44	51	150
BT50-SR32-105	32	44	51	105
BT50-SR32-150	32	44	51	150

- ◆ 由加熱感應線圈產生高頻電磁波使刀柄感應電流產生熱量，迅速加熱使刀柄膨脹，將刀具裝入刀柄後經冷卻收縮即可獲得強力的挾持力。
- ◆ 適用於高速鋼和硬質合金刀具，挾持穩定，精度高(0.005mm)。
- ◆ 本體材質選用特殊抗熱合金鋼，剛性強，使用壽命長。

高速刀桿系列

HIGH SPEED ARBOR

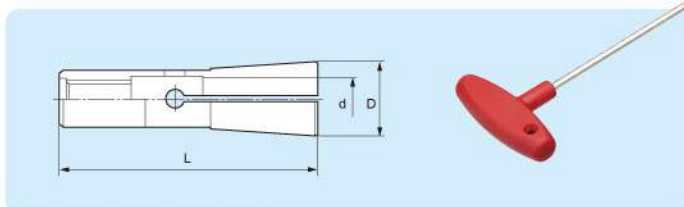
燒結刀把系列

SHRINK FIT CHUCK



- ◆ 夾持刀具使用5mm六角扳手(SC06,SC08)
- ◆ 夾持刀具使用8mm六角扳手(SC12)
- ◆ SC06, SC08: 5mm Hex-Wrench
- ◆ SC12: 8mm Hex-Wrench

● SC高速後拉筒夾 SC Collet



Type No.	d	D	L
SC06	3, 4, 6	9.6	35
SC08	3, 4, 6, 8	15	45
SC12	3, 4, 6, 8, 10, 12	22	50

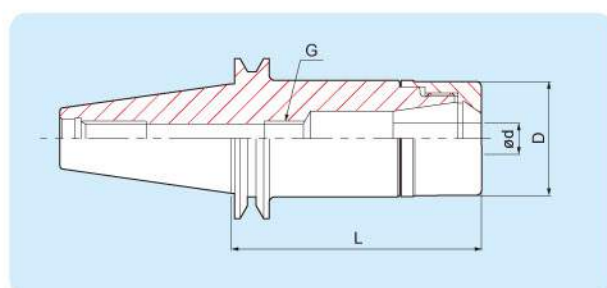


GIS-6000 熱縮刀把感應加熱機



- ◆ 無鍵槽適用於高轉速下使用。
- ◆ 精密平衡校正可校正在：(另外加價)

G2.5 30000 rpm



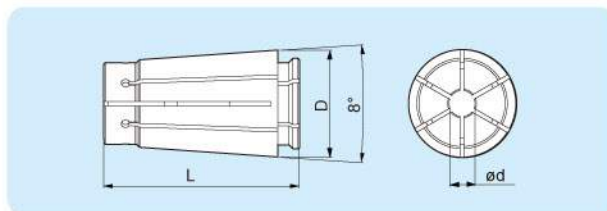
● 高速刀桿

Model No.	ød	D	L	Model No.	ød	D	L
ISO25-GSK6	2 ~ 6	20	35	ISO30-GSK6	2 ~ 6	20	50
ISO25-GSK10	2 ~ 10	27.5	35	ISO30-GSK10	2 ~ 10	27.5	50
ISO25-GSK16	2 ~ 16	40	35	ISO30-GSK16	2 ~ 16	40	50



● GSK軸承扳手 Wrench

Model No.	C
NCH-GSK6	20
NCH-GSK10	27.5
NCH-GSK16	40



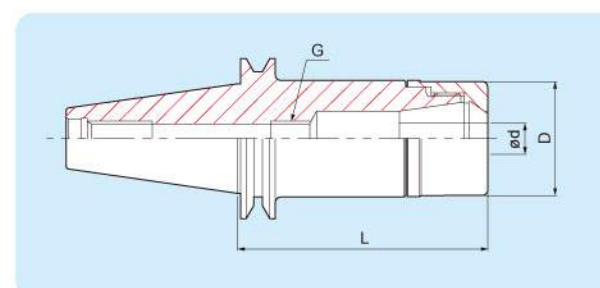
● SK 筒夾 SK Collet

Model No.	ød	D	L
SK6	2, 2.5, 3, 3.5, 4, 4.5, 5, 5.5, 6	10.55	25
SK10	2, 2.5, 3, 3.5, 4, 4.5, 5, 5.5, 6, 6.5, 7, 7.5, 8, 8.5, 9, 9.5, 10	15.5	30
SK16	4, 4.5, 5, 5.5, 6, 6.5, 7, 7.5, 8, 8.5, 9, 9.5, 10, 10.5, 11, 11.5, 12, 12.5, 13, 13.5, 14, 14.5, 15, 15.5, 16	24.5	40



- ◆ 無鍵槽適用於高轉速下使用。
- ◆ 精密平衡校正可校正在：(另外加價)

G2.5 30000 rpm

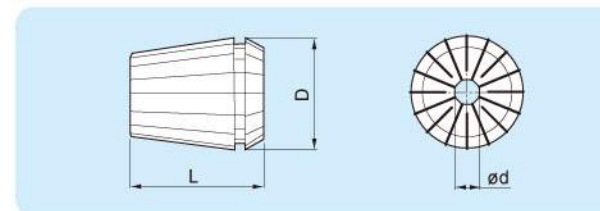


● 高速刀桿

Model No.	ød	D	L
ISO25-GER16	2 ~ 10	27.5	42
ISO25-GER20	2 ~ 13	30	42
ISO30-GER16	2 ~ 10	27.5	55
ISO30-GER20	2 ~ 13	30	55

● GER軸承扳手 Wrench

Model No.	C
NCH-GER16	27.5
NCH-GER20	30



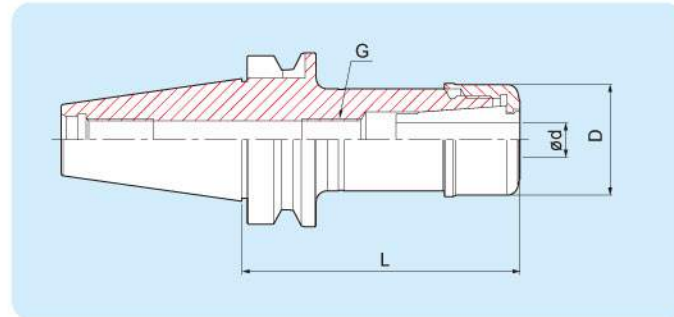
● ER 筒夾 ER Collet

◆ 可用0.5mm挾持精度更高

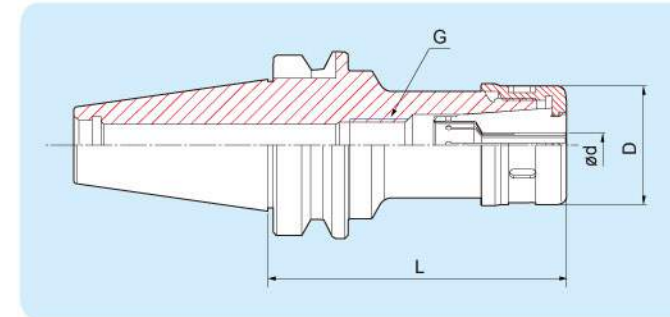
Model No.	ød	D	L
ER11	2, 2.5, 3, 3.5, 4, 4.5, 5, 5.5, 6, 6.5, 7	11.5	18.5
ER16	2, 2.5, 3, 3.5, 4, 4.5, 5, 5.5, 6, 6.5, 7, 7.5, 8, 8.5, 9, 9.5, 10	17	27
ER20	2, 2.5, 3, 3.5, 4, 4.5, 5, 5.5, 6, 6.5, 7, 7.5, 8, 8.5, 9, 9.5, 10, 10.5, 11, 11.5, 12, 12.5, 13	21	31



- ◆ GSK系列適用於高轉速、高精密切削，增加刀具壽命。
- ◆ 切削性穩定、減少震動。
- ◆ 精密平衡校正可校正：
G2.5 25000 rpm ~ 30000rpm.



- ◆ TSK系列適用於高轉速、高精密切削，增加刀具壽命。
- ◆ 切削性穩定、減少震動。
- ◆ 精密平衡校正可校正：(另外加價)
G2.5 15000 rpm ~ 25000rpm.



● 高速刀桿



Model No.	ød	L	D
BT30-GSK6-60	1.8 ~ 6.00	60	20
BT30-GSK6-90	1.8 ~ 6.00	90	20
BT30-GSK10-60	1.8 ~ 10.00	60	27.5
BT30-GSK10-90	1.8 ~ 10.00	90	27.5
BT30-GSK16-60	2.75 ~ 16.00	60	40
BT30-GSK16-90	2.75 ~ 16.00	90	40
BT40-GSK6-60	1.8 ~ 6.00	60	20
BT40-GSK6-90	1.8 ~ 6.00	90	20
BT40-GSK10-60	1.8 ~ 10.00	60	27.5
BT40-GSK10-90	1.8 ~ 10.00	90	27.5
BT40-GSK16-60	2.75 ~ 16.00	60	40
BT40-GSK16-90	2.75 ~ 16.00	90	40

※標準品外，可接受特殊長度訂做承製。

● 高速刀桿



Model No.	Range ød	L	D	G	Collet
BT30-TSK6-60	1.80~6.00	60	20	M8 x 1.25P	SK6
BT30-TSK6-90	1.80~6.00	90	20	M8 x 1.25P	SK6
BT30-TSK10-60	1.80~10.00	60	29	M12 x 1.75P	SK10
BT30-TSK10-90	1.80~10.00	90	29	M12 x 1.75P	SK10
BT30-TSK16-60	2.75~16.00	60	40	M18 x 2.5P	SK16
BT30-TSK16-90	2.75~16.00	90	40	M18 x 2.5P	SK16
BT40-TSK6-60	1.80~6.00	60	20	M8 x 1.25P	SK6
BT40-TSK6-90	1.80~6.00	90	20	M8 x 1.25P	SK6
BT40-TSK10-60	1.80~10.00	60	29	M12 x 1.75P	SK10
BT40-TSK10-90	1.80~10.00	90	29	M12 x 1.75P	SK10
BT40-TSK16-60	2.75~16.00	60	40	M18 x 2.5P	SK16
BT40-TSK16-90	2.75~16.00	90	40	M18 x 2.5P	SK16
BT40-TSK25-80	8.00~25.00	80	55	M24 x 3.0P	SK25
BT40-TSK25-120	8.00~25.00	120	55	M24 x 3.0P	SK25
BT50-TSK10-100	1.80~10.00	100	29	M12 x 1.75P	SK10
BT50-TSK10-150	1.80~10.00	150	29	M12 x 1.75P	SK10
BT50-TSK16-100	2.75~16.00	100	40	M18 x 2.5P	SK16
BT50-TSK16-150	2.75~16.00	150	40	M18 x 2.5P	SK16
BT50-TSK25-120	8.00~25.00	120	55	M24 x 3.0P	SK25
BT50-TSK25-200	8.00~25.00	200	55	M24 x 3.0P	SK25

※標準品外，可接受特殊長度訂做承製。

● GSK刀桿專用軸承扳手 Wrench

Model No.	C
NCH-GSK6	20
NCH-GSK10	27.5
NCH-GSK16.	40

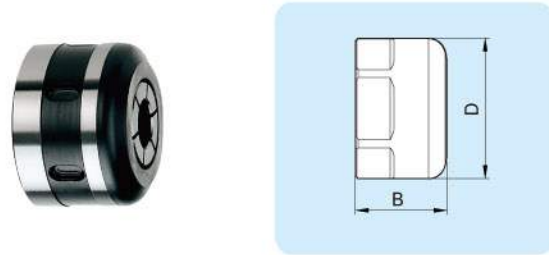


● 刀桿TSK刀桿螺帽專用扳手 Wrench

Model No.	D	L
TSK-6	18	165
TSK-10	26	167
TSK-16	40	221
TSK-25	55	226

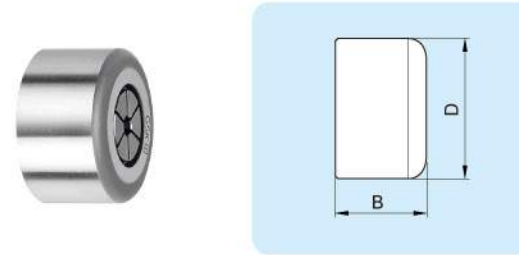


▶ TSK 刀桿螺帽
TSK Clamping Nut



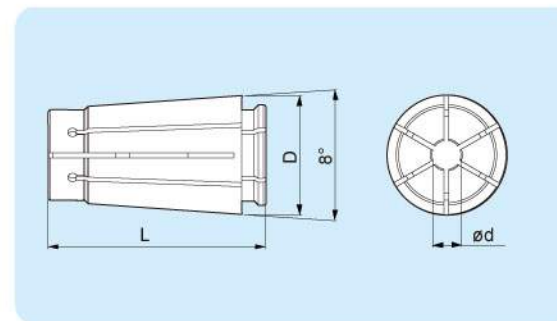
Model No.	D	B
NUT-TSK6	20	16
NUT-TSK10	29	19
NUT-TSK16	40	27.5
NUT-TSK25	55	34

▶ GSK 刀桿螺帽
GSK Clamping Nut



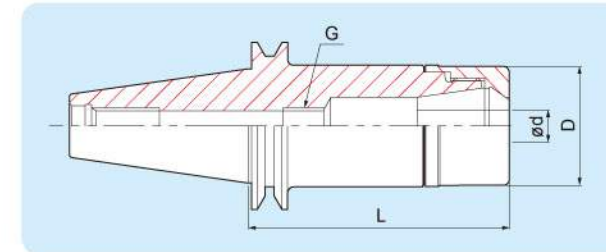
Model No.	D	B
NUT-GSK6	20	16
NUT-GSK10	27.5	19
NUT-GSK16	40	27.5

▶ SK 筒夾 SK Collet



Model No.	ød	D	L
SK6	2, 2.5, 3, 3.5, 4, 4.5, 5, 5.5, 6	10.55	25
SK10	2, 2.5, 3, 3.5, 4, 4.5, 5, 5.5, 6, 6.5, 7, 7.5, 8, 8.5, 9, 9.5, 10	15.5	30
SK16	3, 4, 4.5, 5, 5.5, 6, 6.5, 7, 7.5, 8, 8.5, 9, 9.5, 10, 10.5, 11, 11.5, 12, 12.5, 13, 13.5, 14, 14.5, 15, 15.5, 16	24.5	40
SK25	7.5, 8, 9.5, 10, 11.5, 12, 15.5, 16, 16.5, 17, 17.5, 18, 18.5, 19, 19.5, 20, 20.5, 21, 21.5, 22, 22.5, 23, 23.5, 24, 24.5, 25	35.5	57

- ◆ GER系列適用於高轉速、高精密切削增加刀具壽命。
 - ◆ 切削性穩定，減少震動。
 - ◆ 精密平衡校正可校正：(另外加價)
- g2.5 15000 rpm ~ 25000 rpm.**



● 高速彈性筒夾刀桿

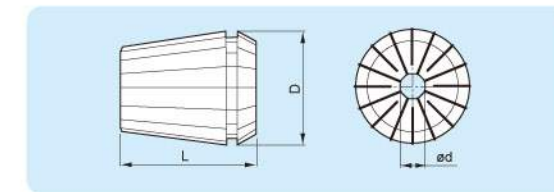
Model No.	ød	D	L
BT30-GER16-70	0.5~10.0	27.5	70
BT30-GER20-70	1.0~13.0	30	70
BT30-GER25-70	1.0~16.0	40	70
BT30-GER16-100	0.5~10.0	27.5	100
BT30-GER20-100	1.0~13.0	30	100
BT30-GER25-100	1.0~16.0	40	100
BT40-GER16-70	0.5~10.0	27.5	70
BT40-GER20-70	1.0~13.0	30	70
BT40-GER25-70	1.0~16.0	40	70
BT40-GER16-100	0.5~10.0	27.5	100
BT40-GER20-100	1.0~13.0	30	100
BT40-GER25-100	1.0~16.0	40	100

※標準品外，可接受特殊長度訂做承製。

● 軸承扳手 Wrench



Model No.	C
NCH-GER16	27.5
NCH-GER20	30
NCH-GER25	40



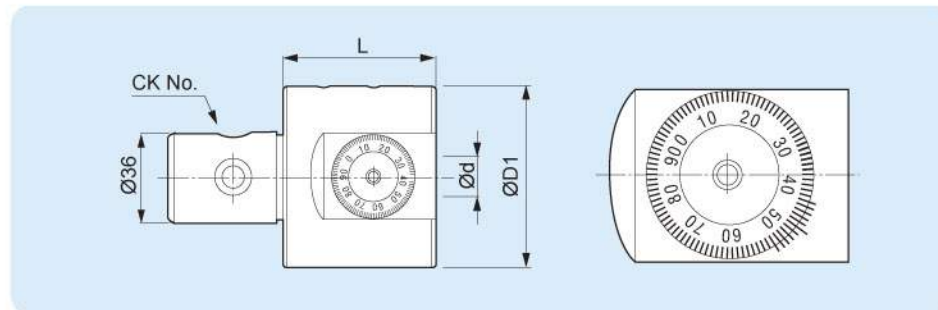
● ER 筒夾 ER Collet

◆ 可用0.5mm挾持精度更高

Model No.	ød	D	L
ER11	2, 2.5, 3, 3.5, 4, 4.5, 5, 5.5, 6, 6.5, 7	11.5	18.5
ER16	2, 2.5, 3, 3.5, 4, 4.5, 5, 5.5, 6, 6.5, 7, 7.5, 8, 8.5, 9, 9.5, 10	17	27
ER20	2, 2.5, 3, 3.5, 4, 4.5, 5, 5.5, 6, 6.5, 7, 7.5, 8, 8.5, 9, 9.5, 10, 10.5, 11, 11.5, 12, 12.5, 13	21	31
ER25	3, 4, 5, 6, 7, 8, 9, 10, 11, 12, 13, 14, 15, 16	26	35

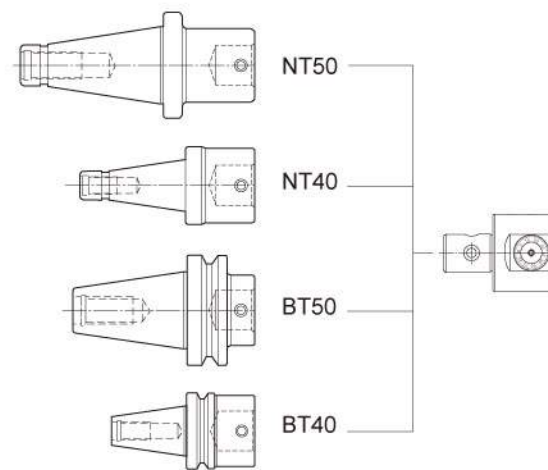


- 特點
 - ◆ BHW02-50CK6微調精搪頭，適用於 $\varnothing 3\sim\varnothing 50\text{mm}$ 小孔徑使用，如使用全鎢鋼小徑搪刀桿，可加工 $\varnothing 3\sim\varnothing 10\text{mm}$ 小孔。
 - ◆ 調整刻度為圓周100等分，每格調整尺寸為直徑 0.01mm 。
 - ◆ 精密導程螺絲位於內用，不受切屑、磨耗、生鏽等影響，具有內部潤滑、精準耐用。
- Feature:
 - ◆ Available are three different styles enabling small diameter boring from 3mm to 50mm. Boring range can be within 3mm to 10mm if small diameter solid carbide boring bar has been employed.
 - ◆ The dial has been graduated into 100 divisions, each of which is 0.01mm on diameter.
 - ◆ High precision internal lead screw with inner lubrication is free from the effects of chip. Faturing hing durability.



Model No.	CK No.	d	D1	L	Stroke	N.W. (kg)
BHW02-50CK6	6	16	63.5	45	0~4.5	1.05

▶ 微調精搪頭+推拔柄 Boring Head + Shank (A)



	Model No.	Specification	N.W. (kg)
A1	BHW02-50CK6+BT40	M16xP2.0	2.9
A2	BHW02-50CK6+BT50	M24xP3.0	6.3
A3	BHW02-50CK6+NT40	5/8"x11UNC	2.6
A4	BHW02-50CK6+NT40	M16xP2.0	2.6
A5	BHW02-50CK6+NT50	1"x8UNC	5.5
A6	BHW02-50CK6+NT50	M24xP3.0	5.5

▶ 微調精搪頭+推拔柄+捨棄式刀桿 Boring Head+Shank+Tool (C)



	Model No.	Specification	Tool	N.W. (kg)
C1	BHW02-50CK6+BT40	M16xP2.0	+BH166-08/12/20	2.9
C2	BHW02-50CK6+BT50	M24xP3.0	+BH166-08/12/20	6.3
C3	BHW02-50CK6+NT40	5/8"x11UNC	+BH166-08/12/20	2.6
C4	BHW02-50CK6+NT40	M16xP2.0	+BH166-08/12/20	2.6
C5	BHW02-50CK6+NT50	1"x8UNC	+BH166-08/12/20	5.5
C6	BHW02-50CK6+NT50	M24xP3.0	+BH166-08/12/20	5.5

▶ 微調精搪頭(套裝) Boring Head Sets (D)



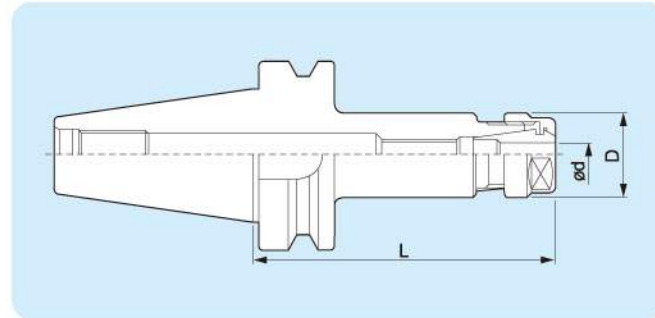
	Model No.	Specification	N.W. (kg)
D1	BHW02-50CK6-BT40	M16xP2.0	2.9
D2	BHW02-50CK6-BT50	M24xP3.0	6.3
D3	BHW02-50CK6-NT40	5/8"x11UNC	2.6
D4	BHW02-50CK6-NT40	M16xP2.0	2.6
D5	BHW02-50CK6-NT50	1"x8UNC	5.5
D6	BHW02-50CK6-NT50	M24xP3.0	5.5

BHW

BHW



- ◆ 選用最佳鋼材，材質安定，使用不變形，耐磨性佳。
- ◆ 密合度85%以上。
- ◆ 標面粗糙度0.8S~1.0S。
- ◆ 真圓度1.5 μm以內。

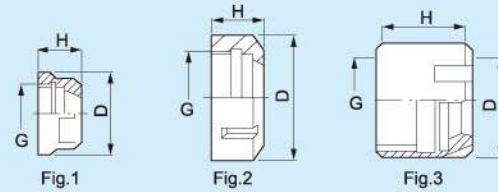


● 標準筒夾刀桿

Model No.	ød	D	L	Collet
BT30-ER16-70	ø0.5~ø10.0	28	70	ER16
BT30-ER20-70	ø1.0~ø13.0	34	70	ER20
BT30-ER25-70	ø1.0~ø16.0	42	70	ER25
BT30-ER32-70	ø2.0~ø20.0	50	70	ER32
BT30-ER11-100	ø0.5~ø7.0	19	100	ER11
BT30-ER11M-100	ø0.5~ø7.0	16	100	ER11
BT30-ER16-100	ø0.5~ø10.0	28	100	ER16
BT30-ER20-100	ø1.0~ø13.0	34	100	ER20
BT30-ER25-100	ø1.0~ø16.0	42	100	ER25
BT30-ER32-100	ø2.0~ø20.0	50	100	ER32
BT40-ER16-70	ø0.5~ø10.0	28	70	ER16
BT40-ER20-70	ø1.0~ø13.0	34	70	ER20
BT40-ER25-70	ø1.0~ø16.0	42	70	ER25
BT40-ER32-70	ø2.0~ø20.0	50	70	ER32
BT40-ER40-80	ø3.0~ø26.0	63	80	ER40
BT40-ER11-100	ø0.5~ø7.0	19	100	ER11
BT40-ER11M-100	ø0.5~ø7.0	16	100	ER11
BT40-ER16-100	ø0.5~ø10.0	28	100	ER16
BT40-ER20-100	ø1.0~ø13.0	34	100	ER20
BT40-ER25-100	ø1.0~ø16.0	42	100	ER25
BT40-ER32-100	ø2.0~ø20.0	50	100	ER32
BT40-ER40-100	ø3.0~ø26.0	63	100	ER40
BT40-ER16-150	ø0.5~ø10.0	28	150	ER16
BT40-ER20-150	ø1.0~ø13.0	34	150	ER20
BT40-ER25-150	ø1.0~ø16.0	42	150	ER25
BT40-ER32-150	ø2.0~ø20.0	50	150	ER32
BT40-ER40-150	ø3.0~ø26.0	63	150	ER40
BT50-ER16-100	ø0.5~ø10.0	28	100	ER16
BT50-ER20-100	ø1.0~ø13.0	34	100	ER20
BT50-ER25-100	ø1.0~ø16.0	42	100	ER25
BT50-ER32-100	ø2.0~ø20.0	50	100	ER32
BT50-ER40-100	ø3.0~ø26.0	63	100	ER40
BT50-ER16-150	ø0.5~ø10.0	28	150	ER16
BT50-ER20-150	ø1.0~ø13.0	34	150	ER20
BT50-ER25-150	ø1.0~ø16.0	42	150	ER25
BT50-ER32-150	ø2.0~ø20.0	50	150	ER32
BT50-ER40-150	ø3.0~ø26.0	63	150	ER40

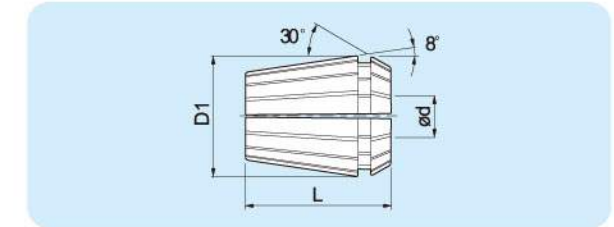
※標準品外，可接受特殊長度訂做承製。

▶ ER螺帽 Clamping Nut



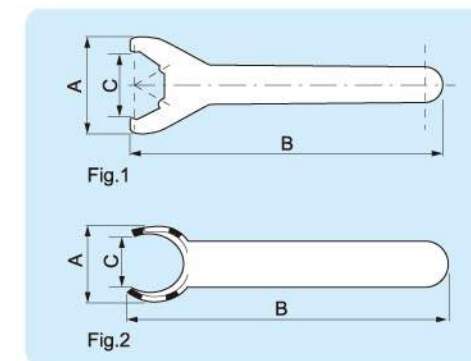
Model No.	D	H	G	Fig.
ER11	19	13	M14 x P0.75	1
ER16	28	17.5	M22 x P1.5	1
ER20	34	19	M25 x P1.5	1
ER25	42	20	M32 x P1.5	2
ER32	50	22.5	M40 x P1.5	2
ER40	63	29	M50 x P1.5	2
ER11M	16	12	M13 x P0.75	3
ER16M	22	18	M19 x P1.0	3
ER20M	28	19	M24 x P1.0	3

▶ ER彈性筒夾 Collet Type



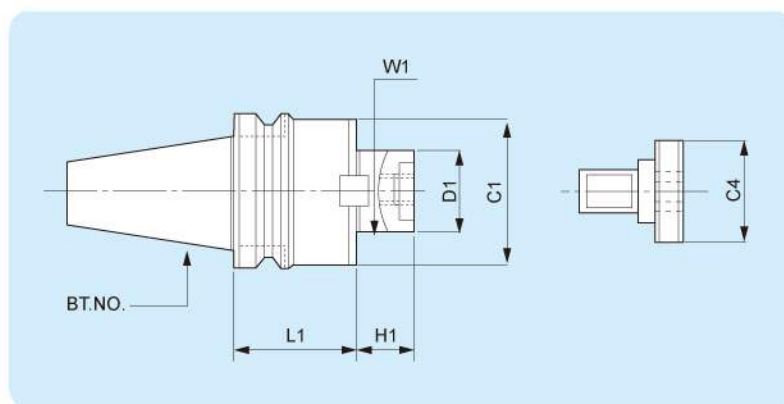
Model No.	ød	D1	L
ER11	Ø0.5 - Ø7.0	11.5	18.5
ER16	Ø0.5 - Ø10.0	17.0	27.0
ER20	Ø1.0 - Ø13.0	21.0	31.0
ER25	Ø1.0 - Ø16.0	26.0	35.0
ER32	Ø2.0 - Ø20.0	33.0	40.0
ER40	Ø3.0 - Ø26.0	41.0	46.0

▶ ER扳手 Wrench



Model No.	A	B	C	Fig.
NCH-ER40	90	289	58	1
NCH-ER32	75	253	46.5	1
NCH-ER25	65	206	37	1
NCH-ER20	28.5	129	15.5	1
NCH-ER16	22.5	117	12.5	1
NCH-ER11	17	95	8.5	1
NCH-ER16M	45	137	25	2
NCH-ER20M	54	162	30	2



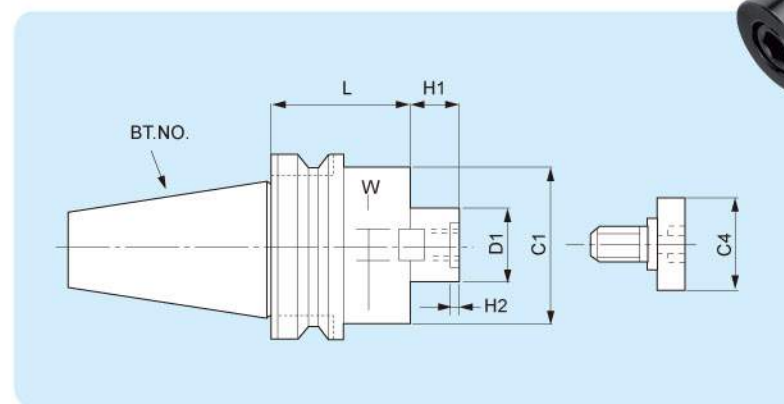


FMA

單位：inch

Model No.	D1	L1	H1	C1	W1	C4
BT30-FMA25.4-45	25.4	45	20	45	9.5	33
BT30-FMA25.4-60	25.4	60	20	45	9.5	33
BT40-FMA25.4-45	25.4	45	20	60	9.5	33
BT40-FMA25.4-60	25.4	60	20	60	9.5	33
BT40-FMA31.75-45	31.75	45	22	70	12.7	40
BT40-FMA31.75-60	31.75	60	22	70	12.7	40
BT40-FMA31.75-90	31.75	90	22	70	12.7	40
BT40-FMA38.1-60	38.1	60	23	85	15.9	50
BT40-FMA38.1-90	38.1	90	23	85	15.9	50
BT50-FMA25.4-45	25.4	45	20	60	9.5	33
BT50-FMA25.4-75	25.4	75	20	60	9.5	33
BT50-FMA25.4-150	25.4	150	20	60	9.5	33
BT50-FMA31.75-45	31.75	45	22	70	12.7	40
BT50-FMA31.75-75	31.75	75	22	70	12.7	40
BT50-FMA31.75-105	31.75	105	22	70	12.7	40
BT50-FMA38.1-45	38.1	45	23	85	15.9	50
BT50-FMA38.1-75	38.1	75	23	85	15.9	50
BT50-FMA50.8-45	50.8	45	24	95	19.05	65
BT50-FMA50.8-75	50.8	75	24	95	19.05	65

※標準品外，可接受特殊長度訂做承製。

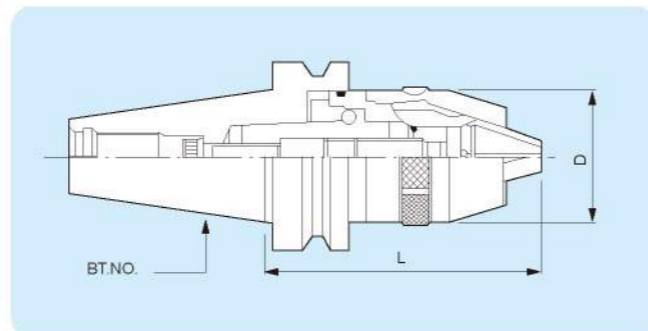


FMB

單位：mm

Model No.	D	L	C1	H1	H2	W	C4
BT30-FMB22-45	22	45	50	18	4	10	M10
BT30-FMB27-45	27	45	60	20	4	12	M12
BT40-FMB22-45	22	45	48	18	4	10	M10
BT40-FMB22-90	22	90	48	18	4	10	M10
BT40-FMB27-60	27	60	60	20	4	12	M12
BT40-FMB27-90	27	90	60	20	4	12	M12
BT40-FMB32-45	32	45	78	22	4	14	M16
BT40-FMB40-60	40	60	80	25	4	16	M16
BT50-FMB22-45	22	45	48	18	4	10	M10
BT50-FMB22-75	22	75	48	18	4	10	M10
BT50-FMB27-45	27	45	60	20	4	12	M12
BT50-FMB27-75	27	75	60	20	4	12	M12
BT50-FMB27-100	27	90	60	20	4	12	M12
BT50-FMB32-75	32	75	78	22	4	14	M16
BT50-FMB32-105	32	45	78	22	4	16	M16
BT50-FMB32-150	32	75	78	22	4	16	M16
BT50-FMB40-45	40	75	89	25	4	16	M16
BT50-FMB40-75	40	75	89	25	4	16	M16

※標準品外，可接受特殊長度訂做承製。



Model No.	夾持範圍 Clamping range (ømm)	D	L	
			最小 Minimum	最大 Maximum
BT30-APU08-80	1 - 8	36.3	75	82
BT30-APU13-100	1 - 13	51.5	100	110
BT40-APU08-85	1 - 8	36.3	79	86.5
BT40-APU13-100	1 - 13	51.5	100	110
BT40-APU16-130	3 - 16	58	116	130
BT50-APU13-100	1 - 13	51.5	100	110
BT50-APU16-130	3 - 16	58	116	130

※標準品外，可接受特殊長度訂做承製。

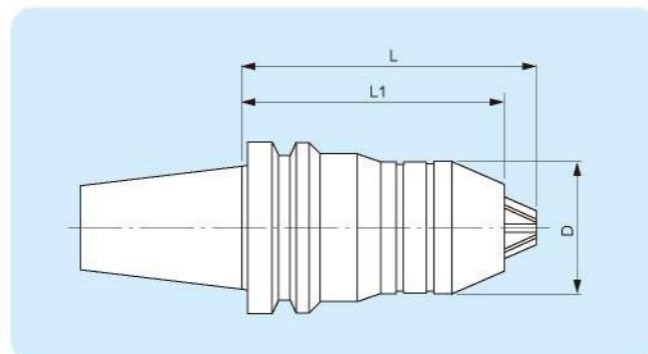
APU

標準刀桿系列

GENERAL ARBOR



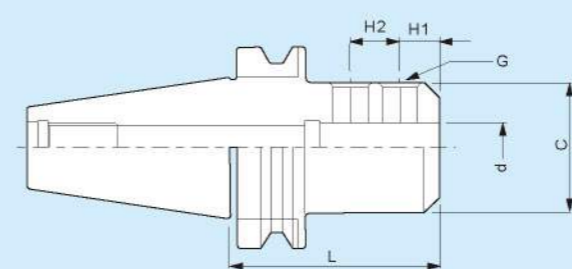
BT-SPH 直結式自動夾頭 *Drill Chuck Holder*



Model No.	夾持範圍(ømm) Clamping range	L	L1	D	N.W. (kg)
BT30-SPH08-80	0-8	92	83	38	2.2
BT30-SPH13-100	0-13	115	102	50	2.5
BT40-SPH08-85	0-8	96	87	38	2.4
BT40-SPH13-105	0-13	115	102	50	2.3
BT40-SPH16-110	3-16	122	119	57	3.0
BT50-SPH13-115	0-13	127	115	50	5.2
BT50-SPH16-120	3-16	133	120	57	6.0

※標準品外，可接受特殊長度訂做承製。

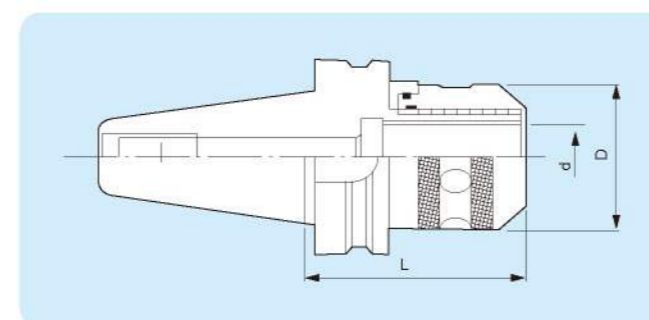
SPH



SLA

Model No.	P	L	C	G(2T)	H1	H2
BT30-SLA6-75	6	75	25	M6 x P1.0	18	-
BT30-SLA8-75	8	75	28	M8 x P1.25	18	-
BT30-SLA10-75	10	75	35	M10 x P1.5	20	-
BT30-SLA12-75	12	75	40	M12 x P1.75	22.5	-
BT30-SLA16-75	16	75	40	M14 x P2.0	24	-
BT30-SLA20-75	20	75	43	M16 x P2.0	25	-
BT30-SLA25-75	25	75	45	M12 x P1.75	25	22
BT40-SLA6-75	6	75	25	M5 x P0.8	12	10
BT40-SLA8-75	8	75	28	M6 x P1.0	14	12
BT40-SLA10-75	10	75	35	M6 x P1.0	15	14
BT40-SLA12-75	12	75	40	M8 x P1.25	20	16
BT40-SLA16-75	16	75	45	M10 x P1.5	20	18
BT40-SLA20-90	20	90	50	M12 x P1.75	25	20
BT40-SLA25-90	25	90	55	M12 x P1.75	25	22
BT40-SLA32-90	32	90	60	M16 x P2.0	24	28
BT50-SLA16-100	16	100	45	M10 x P1.5	22	18
BT50-SLA20-100	20	100	50	M12 x P1.75	25	20
BT50-SLA25-100	25	100	55	M12 x P1.75	25	22
BT50-SLA32-105	32	105	60	M16 x P2.0	24	28
BT50-SLA42-105	42	105	80	M16 x P2.0	24	28

※標準品外，可接受特殊長度訂做承製。

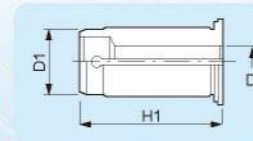


BT-DCM 強力銑刀桿 *Milling Chuck*

Model No.	d	D	L	Collet
BT40-DCM32-105	32	75	105	DCM32
BT50-DCM32-105	32	75	105	DCM32

▶ 直束筒夾 *Straight Collet*

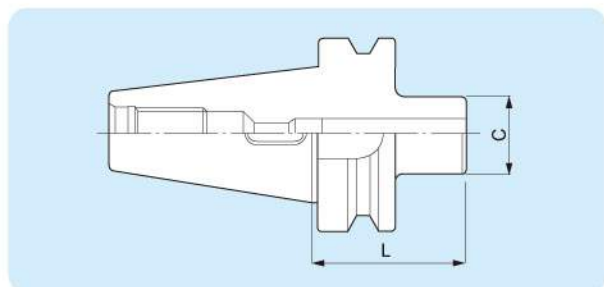
Model No.	D1	D2	H1
DCM32	32	6,8,10,12,16,20,25	71



DCM

標準刀桿系列

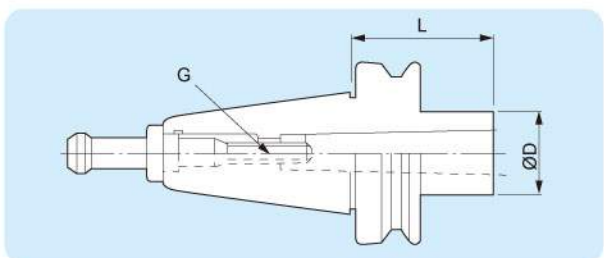
GENERAL ARBOR



MTA

Model No.	L	C	Model No.	L	C
BT40-MTA1-45	45	25	BT50-MTA1-45	45	25
BT40-MTA2-50	50	32	BT50-MTA2-50	50	32
BT40-MTA3-70	70	40	BT50-MTA3-70	70	40
BT40-MTA4-95	95	50	BT50-MTA4-75	75	50

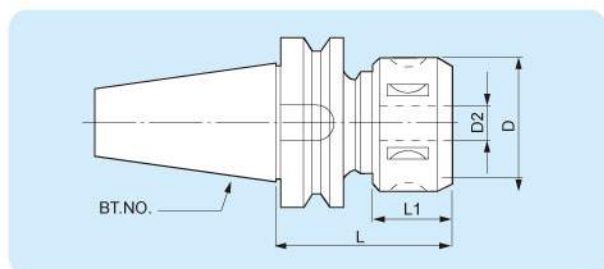
BT-MTB 莫式錐度刀桿 Morse Taper Arbor



MTB

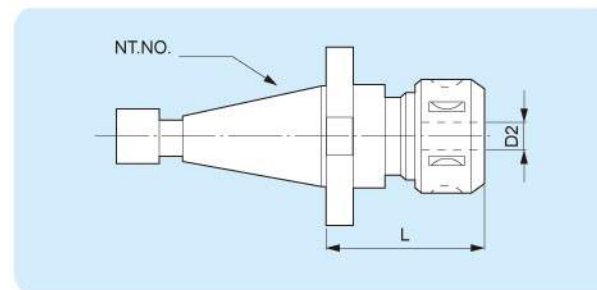
Model No.	L	ØD	G	Model No.	L	ØD	G
BT30-MTB1-45	45	25	M6	BT50-MTB1-45	45	25	M6
BT30-MTB2-60	60	32	M10	BT50-MTB2-45	45	32	M10
BT40-MTB1-45	45	25	M6	BT50-MTB3-60	60	40	M12
BT40-MTB2-45	45	32	M10	BT50-MTB4-75	75	50	M16
BT40-MTB3-75	75	40	M12	BT50-MTB5-120	120	70	M16
BT40-MTB4-75	75	48	M16				

BT-OZ 立銑刀桿 OZ COLLET CHUCK



OZ

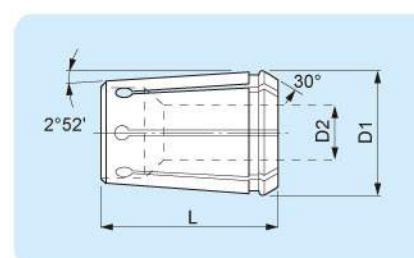
Model No.	D2	L	D	L1	Collet
BT40-OZ25-80	3-25	80	60	30	OZ25
BT40-OZ25-100	3-25	100	60	30	OZ25
BT40-OZ32-80	6-32	80	72	33	OZ32
BT40-OZ32-150	6-32	150	72	33	OZ32
BT50-OZ25-100	3-25	100	60	30	OZ25
BT50-OZ25-130	3-25	130	60	30	OZ25
BT50-OZ32-105	6-32	105	72	33	OZ32
BT50-OZ32-150	6-32	150	72	33	OZ32



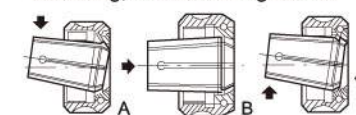
OZ

Model No.	D2	L	Collet	Model No.	D2	L	Collet
NT30-OZ25-70	3-25	70	OZ25	NT40-OZ25-80	3-25	80	OZ25
				NT50-OZ25-100	3-25	100	OZ25

▶ 重切削筒夾 OZ Type Collet



Attaching, and detaching collets



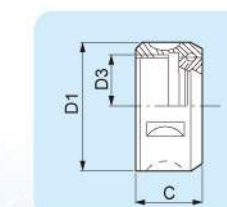
Model No.	D1	L	D2
OZ25	35.5	52	mm: 3,4,5,6,7,8,9,10,11,12,13,16,18,20,25
			inch: 1/8, 1/6, 1/4, 5/16, 3/8, 7/16, 1/2, 9/16, 5/8, 11/16, 3/4, 13/16, 7/8, 15/16, 1"
OZ32	44	60	mm: 6,7,8,9,10,11,12,13,14,15,16,17,18,19,20,21,22, 23,24, 25,26,27,28,29,30,31,32
			inch: 1/4, 5/16, 3/8, 7/16, 1/2, 9/16, 5/8, 11/16, 3/4, 13/16, 7/8, 15/16, 1, 1-1/8, 1-1/4"

▶ OZ扳手 Wrench

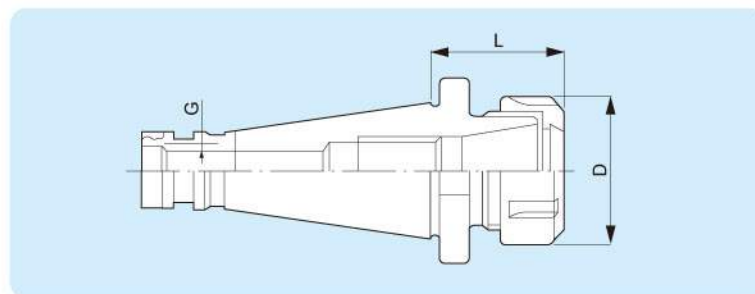


D1	D3	Collets
NCH-OZ25	60	OZ25
NCH-OZ32	76	OZ32

▶ 重切削OZ螺帽 OZ-Type Nut

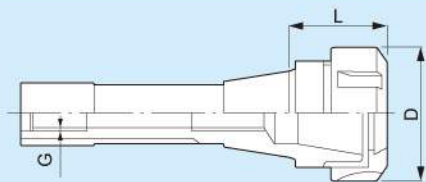


Model No.	C	D1	D3	Collets
OZ25	30	60	M48 x 2	OZ25
OZ32	33	72	M60 x 2.5	OZ32



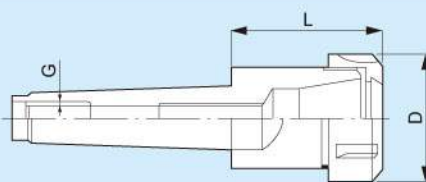
Model No.	Collet	L	D	G
NT30	ER32	55	50	1/2"-12W, M12 x 1.75P
NT30	ER40	70	63	USA 1/2" - UNC13
NT40	ER25	50	42	5/8"-11W or M16 x 2.0P
NT40	ER32	50	60	
NT40	ER40	60	63	
NT50	ER32	60	60	1"-8W or M24 x 3.0P
NT50	ER40	65	63	

R8 型刀桿 ER Collet Arbor



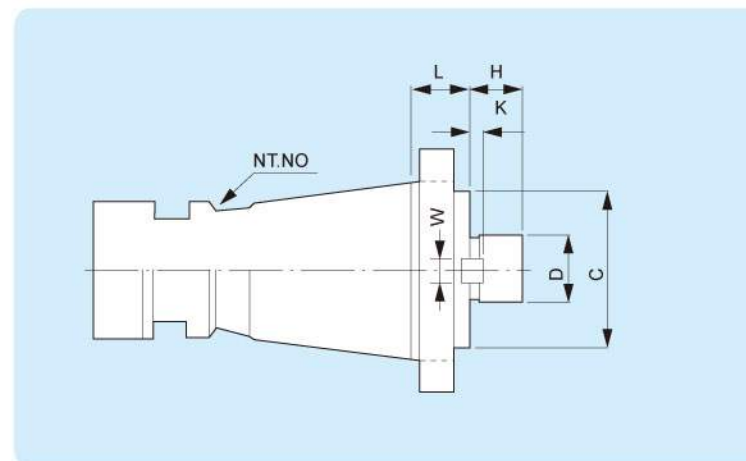
Model No.	Collet	L	D	G
R8	ER32	40	50	7/16" x 20 UFN

MT-ER 銑床夾頭 MT-ER Collet Arbor



Model No.	Collet	L	D	G	Model No.	Collet	L	D	G
MT2	ER16	40	28	3/8"-16W or M10 x 1.5P	MT3	ER16	40	28	3/8"-16W or 1/2"-12W
MT2	ER20	43	34		MT3	ER32	70	50	
MT2	ER25	47	42	5/8"-11W or M16 x 2.0P	MT3	ER40	80	63	M10 x 1.5P
MT4	ER32	60	50		MT3	ER20	43	34	M12 x 1.75P
MT4	ER40	82	63		MT3	ER25	47	42	USA 1/2"-UNC13

NT-ER



Inch FMA Model

Model No.	Shaft Size			Mounting Size		
	D	H	W	K	C	L
NT30	25.4	20	9.57	5	65	20
NT30	31.75	23	12.75	7	73	20
NT30	38.1	22	15.90	9	82	20
NT40	25.4	20	9.57	5	65	20
NT40	31.75	22	12.75	7	73	20
NT40	38.1	23	15.90	9	82	20
NT50	25.4	20	9.57	5	65	20
NT50	31.75	22	12.75	7	73	20
NT50	38.1	23	15.90	9	82	20
NT50	50.8	24	19.05	10	95	20

NT-FMB 平面銑刀桿 Face Mill Arbor

Metric FMB Model

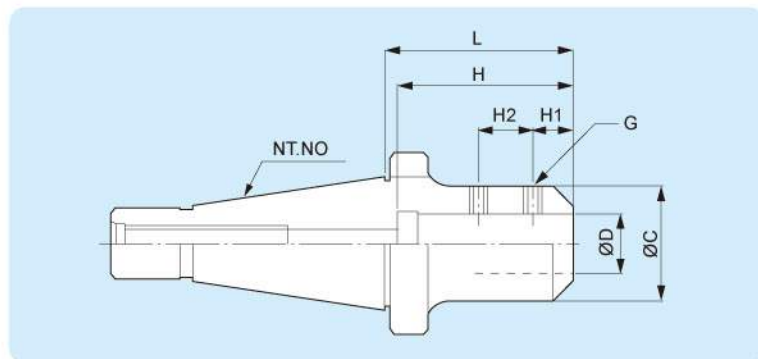
Model No.	Shaft Size			Mounting Size		
	D	H	W	K	C	L
NT30	22	18	9.57	5	40	20
NT30	27	20	12.75	7	53	20
NT30	32	23	15.90	7	63	20
NT40	22	18	9.57	5	40	20
NT40	27	20	12.75	7	53	20
NT40	32	23	15.90	7	63	20
NT40	40	26	19.05	8	85	20
NT50	22	18	9.57	5	40	20
NT50	27	20	12.75	7	53	20
NT50	32	23	15.90	7	63	20
NT50	40	26	19.05	8	85	20



NT-FMA

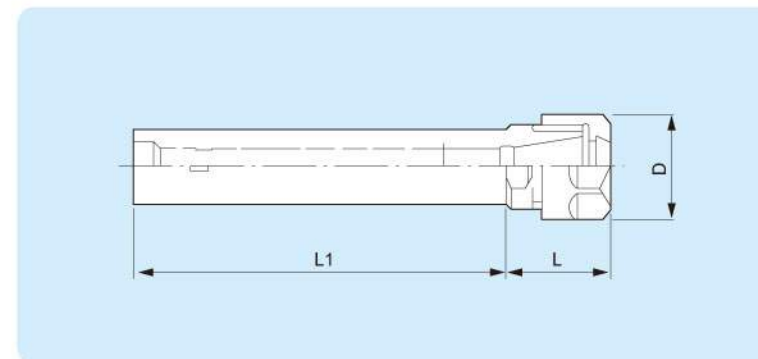


NT-FMB

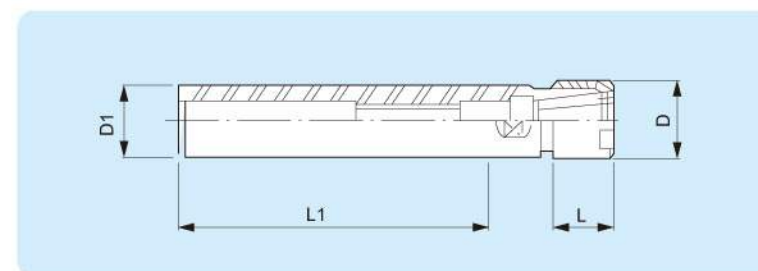


Model No.	D	C	H	L	H1	H2	G
NT30	12	40	45	55	20	16	M10
NT30	16	45	50	60	22	18	M10
NT30	20	50	60	65	25	20	M12
NT30	25	50	65	75	25	22	M12
NT40	12	40	45	55	20	16	M10
NT40	16	45	50	60	22	18	M10
NT40	20	50	60	65	25	20	M12
NT40	25	50	65	75	25	22	M12
NT40	32	60	70	90	30	22	M16
NT40	42	80	80	105	32	24	M16
NT50	12	40	45	55	20	16	M10
NT50	16	45	50	60	22	18	M10
NT50	20	50	60	65	25	20	M12
NT50	25	50	65	75	25	22	M12
NT50	32	60	70	90	30	22	M16
NT50	42	80	80	105	32	24	M16

NT-SLA



Model No.	L1	L	D
C20-ER16-50	50	30	28
C20-ER16-100	100	30	28
C20-ER16-150	150	30	28
C20-ER20-50	50	36	34
C20-ER20-100	100	36	34
C20-ER25-50	50	46	42
C20-ER25-100	100	46	42
C20-ER25-150	150	46	42
C25-ER16-100	100	30	28
C25-ER16-150	150	30	28
C25-ER20-150	150	36	34
C25-ER25-100	100	46	42
C25-ER25-150	150	46	42



Model No.	L1	L	D1	D
C16-ER11-50(M)	50	12	16	16
C16-ER11-100(M)	100	12	16	16
C20-ER16-50(M)	50	18	20	22
C20-ER16-100(M)	100	18	20	22
C20-ER16-150(M)	150	18	20	22
C20-ER20-50(M)	50	19	20	28
C20-ER20-100(M)	100	19	20	28
C20-ER20-150(M)	150	19	20	28
C25-ER20-50(M)	50	19	25	28
C25-ER20-100(M)	100	19	25	28
C25-ER20-150(M)	150	19	25	28

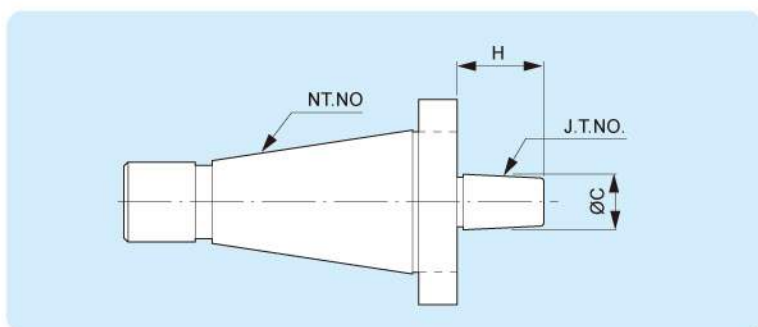


標準刀桿系列

GENERAL ARBOR

NT-JT

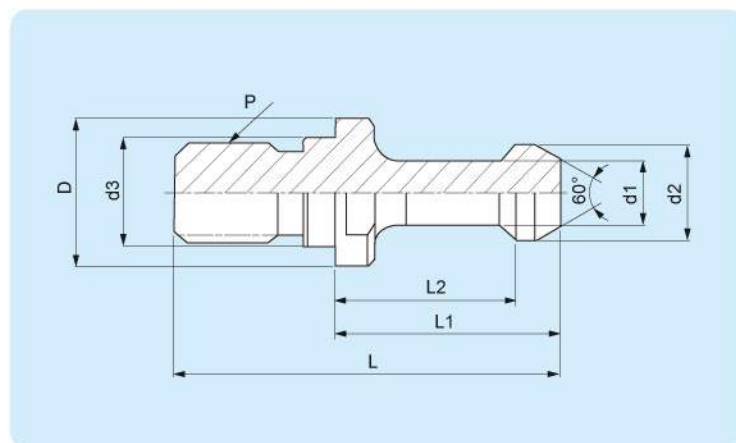
NT-JT 鑽夾心軸刀桿 Jacobs Taper Drill Chuck Holder



Model No.	JT NO	C	H
NT30-JT1	JT1	9.754	18
NT30-JT2	JT2	13.94	20
NT30-JT6	JT6	17.17	26
NT40-JT2	JT2	13.94	20
NT40-JT6	JT6	17.17	26
NT50-JT6	JT6	17.17	26

延長桿系列

COLLET HOLDERS WITH STRAIGHT SHANK



● BT30 刀桿適用拉桿螺絲

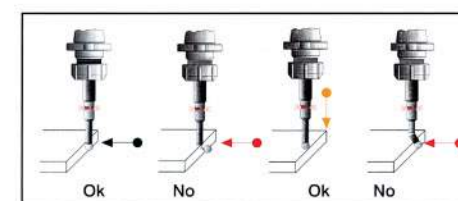
Model	D	d1	d2	d3	L	L1	L2	P
BT30-45°	16.5	7	11	12.5	43	23	18	M12 x 17.5
BT30-60°	16.5	7	11	12.5	43	23	18	M12 x 17.5
BT30-90°	16.5	7	11	12.5	43	23	18	M12 x 17.5
BT30-45° 中心出水	16.5	7	11	12.5	43	23	18	M12 x 17.5
BT30-60° 中心出水	16.5	7	11	12.5	43	23	18	M12 x 17.5

● BT40 刀桿適用拉桿螺絲

Model	D	d1	d2	d3	L	L1	L2	P
BT40-45°	23	10	15	17	60	35	28	M16 x 2.0
BT40-60°	23	10	15	17	60	35	28	M16 x 2.0
BT40-90°	23	10	15	17	60	35	28	M16 x 2.0
BT40-45° 中心出水	23	10	15	17	60	35	28	M16 x 2.0
BT40-60° 中心出水	23	10	15	17	60	35	28	M16 x 2.0
BT40-90° 中心出水	23	10	15	17	60	35	28	M16 x 2.0
MAZAK-BT40	22	18.8	12.45	17	44.1	19.1	14	M16 x 2.0

● BT50 刀桿適用拉桿螺絲

Model	D	d1	d2	d3	L	L1	L2	P
BT50-45°	38	17	23	25	85	45	35	M24 x 3.0
BT50-60°	38	17	23	25	85	45	35	M24 x 3.0
BT50-90°	38	17	23	25	85	45	35	M24 x 3.0
BT50-45° 中心出水	38	17	23	25	85	45	35	M24 x 3.0
BT50-60° 中心出水	38	17	23	25	85	45	35	M24 x 3.0
BT50-90° 中心出水	38	17	23	25	85	45	35	M24 x 3.0
MAZAK-BT50	37	28.95	20.83	25	65.2	25.2	17.58	M24 x 3.0



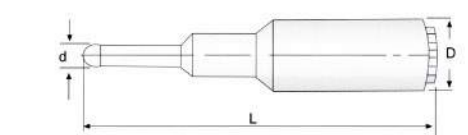
- ◆ Not necessary to rotate while measuring.
- ◆ Quickly locate work edges.
- ◆ Save time to find positions, for milling machine, jig borers, and other machine tools.
- ◆ Accuracy 0.005mm.

● 特點

- ◆ 不需迴轉測量。
- ◆ 精確度0.005mm。
- ◆ 附2枚UM5#, 1.5V鹼性乾電池。(20L, 32L)
- ◆ (32 / 20LB, 20S附1枚UM5#, 12V鹼性乾電池。)

● Is A High Sensible Position Measuring

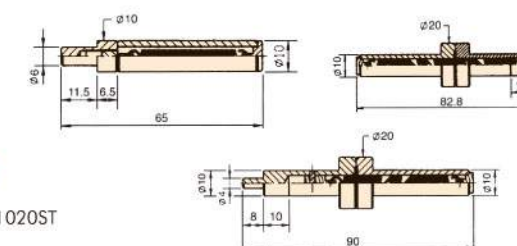
- ◆ Uses dry batteries to light the red lamp.
- ◆ The scope of application includes edge surface, inside and outside diameters and high efficiency.
- ◆ There is a safety spring puller which puts the ball precisely back to the positing when ball breaks away from ball seat.
- ◆ Battery type:
Um5#, 1.5V x 2pcs (SOE-20L, 32L)
Um5#, 23A x 12V x 1pcs (SOE-20S, 32 / 20LB)



請注意/光電式尋邊器不適合迴轉使用。
Notice to use of optical edge finder, that is not suitably used for rotary.

Order No.	Type	柄徑 D	長度 L	測頭 d	G. W.	包裝尺寸LxWxH
TT-3300	SOE-20S	20 ∅	120	10 ∅	0.35 kg	198x75x44
TT-3301	SOE-20L	20 ∅	158	10 ∅	0.4 kg	198x75x44
TT-3302	SOE-20LB	20 ∅	158	10 ∅	0.4 kg	198x75x44
TT-3303	SOE-32L	32 ∅	158	10 ∅	0.7 kg	198x75x54
TT-3304	SOE-32LB	32 ∅	158	10 ∅	0.7 kg	198x75x54

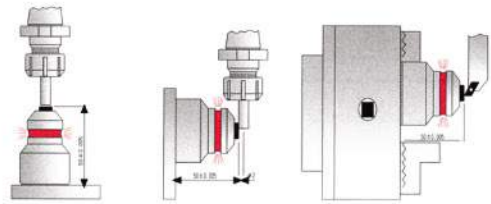
● 偏心式尋邊器 Mechancal Edge Finder Tt-3352



- ◆ Steei: Cr-Mo, ALLOY STEEL.
- ◆ HRE: 56° ± 1°

Type	G.W.	包裝尺寸LxWxH	Type	G.W.	包裝尺寸LxWxH
SME-610	0.08	94x24x24	SME-1020	0.12	94x24x24
SME-420	0.14	94x24x24	SME-1020ST	0.12	94x24x24
SME-420ST	0.14	94x24x24			

TOOL
Precision • Durable



- 使用方法：
1. 探測面下方有微調機構，調整高度請用平行規比測。
 2. 高精度產品，不適用游標卡尺檢測精度。
 3. 快速進刀室燈亮時，請輕微後退至燈熄，再慢速前進至燈亮，以確實掌握精度。
 4. 側面探測時，請以刀刃之最高點接觸探測面。
- ※ 電池：LR44 / A76 / G13 x 2 枚。

- 特點
- ◆ 高度50mm容易計算。
 - ◆ 磁性底座設計，可工側面探測。
 - ◆ 紅燈亮時，四週都可看見，沒有盲點。
 - ◆ 精度0.005mm。

- Features:
- ◆ Height 50mm.
 - ◆ Base built-in magnets for easy set-up.
 - ◆ The red lamp will be lighted up when touched.
 - ◆ Height can be micro adjusted and audited by gage block.
 - ◆ Can be used vertically or horizontally.
 - ◆ Weight : 0.3 kgs.
 - ◆ Battery type: LR44 / A76 / G13 x 2 pcs.
 - ◆ Accuracy: within 0.005mm.

Type	Height	G.W.	包裝尺寸LxWxH
ZOP-100	100 ± 0.005	0.9 KGS	101x101x150
ZOP-50	50 ± 0.005	0.6 KGS	101x101x90

● Z軸設定器 Z Axial Preset Gauge (Indicator Type)



ZIP-50



ZIP-50A

● Z軸設定器附錶型 Axial Preset Gauge

- 特點
- ◆ 在電腦銑床/車床上設定刀長用。
 - ◆ 設計高度：50.00 ± 0.005mm。
 - ◆ 量側面大，操作容易。
 - ◆ 彈簧力較小，可避免小銑刀或鉗頭斷裂。
 - ◆ 用研磨過的平行板即可簡單設定。
 - ◆ ZIP-50A：平行度及各方面使用靈敏、精度更好。

- FEATURES
- ◆ For setting tool length on machining centers / lathe centers.
 - ◆ Setting high: 50.00 ± 0.005mm.
 - ◆ Large measuring surface and easy to operate.
 - ◆ Low spring force to avoid breakage of small end mill and drill.
 - ◆ Easy to be calibrated by a ground parallel or gauge block.
 - ◆ Better parallelism, sensitivity, and precision for use.



Order No.	Type	Type	G.W.	包裝尺寸LxWxH
TT3320-1	ZIP-50	50 ^{+0.005}	1.2 kgs	101 x 101 x 90
TT3320-2	ZOV-50	50 ^{+0.005}	1.4 kgs	167 x 96 x 70
TT3320-3	ZIP-50A	50 ^{+0.005}	1.8 kgs	101 x 101 x 90
TT3320-4	ZIP-100	50 ^{+0.005}	3 kgs	



TTR-40/50-A



TTR-40/50-B



規格	斜度	長 x 寬 x 高	置刀盒	規格	置刀盒	長 x 寬 x 高
TTR-40-A	BT40	645 x 380 x 1720	56	TT-30	32	960 x 650 x 840
TTR-50-A	BT50	645 x 380 x 1720	40	TT-40	28	
TTR-40-B	BT40	645 x 380 x 1720	112	TT-50	20	
TTR-50-B	BT50	645 x 380 x 1720	80			

● 三次元探測量錶 3D-TASTER

- 適用：
- ◆ 切削中心機，各型立式及臥式磨床、銑床、車床、放電加工機等，一次投資，永久使用。
 - ◆ 用途：量測工件之座標、長度、寬度、高度、段差、孔距、孔徑、求圓心等。
 - ◆ X、Y、Z三軸可用同一支探針，找出水平或垂直方向之工件座標。當長短兩隻錶針均指在“0”時，即表示主軸中心線與工件之量測邊對正，不需扣減鋼珠半徑，消除人為操作失誤。
 - ◆ 沒有正負向座標加減之困擾，節省時間，降低作業成本，提高生產力。
 - ◆ FH-3D-TASTER，可用一般側固式端銑刀桿(孔徑φ20)或其他專用刀桿夾持。

* 選擇性附件：長探針(測頭直徑φ8mm)

夾持部柄徑	精度	量錶直徑	本體直徑	長度 (不含夾持柄部、含短探針)	短探針測頭直徑
φ20	0.01	φ57	φ74	120	φ4



● 鎖刀座/主軸清潔棒/萬能夾具
Tool Holder Locking Device / Spindle Taper Wipers / Clamping Kit



規格	斜度	重量	規格	斜度	重量
BT-30	30#	3.2	TW-30	30#	0.3
BT-40	40#	3.2	TW-40	40#	0.4
BT-50	50#	11.0	TW-50	50#	0.6



另有mm規格夾具組

規格	尺寸規格	厚度	重量
PK-103	3/8"	1"	8
PK-104A	1/2"	1"	12
PK-104B	1/2"	1-1/4"	12
PK-105A	5/8"	1"	15
PK-105B	5/8"	1-1/4"	15
PK-206	3/4"	1-1/2"	32

世承有限公司 SHIH CHENG CO., LTD.

台灣公司

台中市神岡區神洲路701巷92號
No.92, Lane 701, Shenzhou Rd.,
Shengang Dist., Taichung City 429, Taiwan.
TEL:886-4-25633391-2
FAX:886-4-25633212
SKYPE: toptool.arbor
E-mail: shin.cheng@livemail.tw
uv620419@hotmail.com

大陸分公司

東莞市長安鎮烏沙陳屋村興3路8號
TEL: 0769-85071566 • 81622836 • 85370980
FAX: 0769-85071568
E-mail mihong2896@126.com

