

Counters Ball Retainers



SINCE 1978

URCON®



WWW.URCON.COM.TW

Always endeavoring to do the best

Company History

- 1975: Formosa Counter Co., Ltd. was founded, specialized in wholesale of engineering plastic materials.
- 1978: Ucon Precision Industrial Co., Ltd. was founded, specialized in manufacturing various ball retainers for mold & machine industry.
- 1980: Uracon Precision Industry Co., Ltd. - another affiliated company was founded, specialized in manufacturing voice coil gauge & gap gauge for the speaker industry.
- 1983: Invest a huge amount of funds in the production of electro-magnetic & machine counter for amusement equipment & machine industry.
- 1986: Consolidated Formosa, Ucon & Uracon to form a Uracon Group - Uracon Precision Industrial Co., Ltd. and strengthen the management and R & D department.
- 2000: Passed the CE certification under No. C090501

Background Information:

- Established : 23, February, 1975
- President : W. T. Chen
- Capital : US\$ 700,000
- Bank : * First Commercial Bank — Panchiao Branch
* Bank of Pan Hsin — Mintsu Branch

Our Products line



BALL RETAINER

Page 02~Page 13

BALL RETAINER

Special bearing gauges for precision press die sets.



Electro Magnetic Counter & Machine Counter

Page 14~Page 16

ELECTRO-MAGNETIC & MACHINE COUNTER

Economical totalizer with push button reset, suitable for amusement equipment, machine tools, office machines, test instruments, ...etc.

BALL RETAINER

URCON®

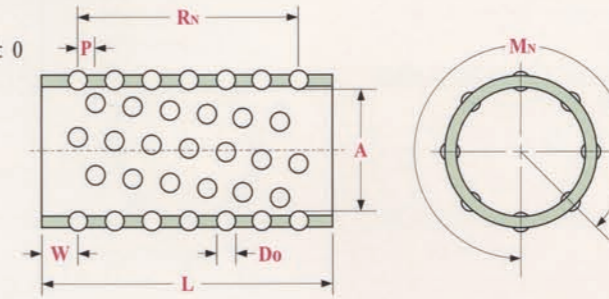
- SPECIAL BEARING GAUGES FOR PRECISION PRESS DIE SETS.
- MATERIAL : ALUMINUM ALLOY, POM, BRONZE.
- EASE OF MOVEMENT.
- ACCURATE.
- LONG LIFE.



URCON®

MINI SIZE BALL RETAINER CCS SERIES

BALL: CHROME STEEL BALLS
DIN GRADE: I
JIS GRADE: 10
PREFERRED GAUGE: ± 0



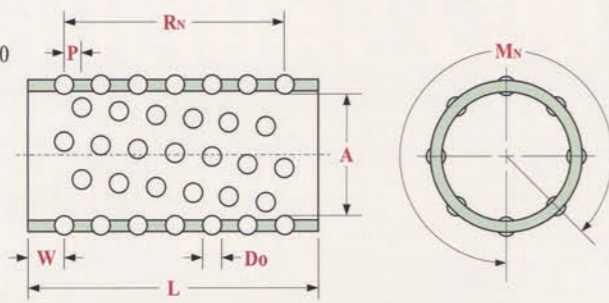
BALL CAGE MATERIAL: BRONZE

UNIT: m/m

ITEM	A	L	Do	Mn	Rn	BALLS	P	W
CCS 3-1.0-10	3	10	1.0	4	6	24	1.20	2.00
CCS 3-1.0-15	3	15	1.0	4	10	40	1.20	2.10
CCS 3-1.0-20	3	20	1.0	4	14	56	1.20	2.20
CCS 4-1.0-10	4	10	1.0	5	6	30	1.20	2.00
CCS 4-1.0-15	4	15	1.0	5	10	50	1.20	2.10
CCS 4-1.0-20	4	20	1.0	5	13	65	1.30	2.20
CCS 4-1.0-25	4	25	1.0	5	16	80	1.40	2.00
CCS 5-1.0-10	5	10	1.0	6	6	36	1.20	2.00
CCS 5-1.0-15	5	15	1.0	6	10	60	1.20	2.10
CCS 5-1.0-20	5	20	1.0	6	13	78	1.30	2.20
CCS 5-1.0-25	5	25	1.0	6	17	102	1.30	2.10
CCS 5-1.0-30	5	30	1.0	6	21	122	1.30	2.00
CCS 6-1.0-10	6	10	1.0	7	6	42	1.20	2.00
CCS 6-1.0-15	6	15	1.0	7	10	70	1.20	2.10
CCS 6-1.0-20	6	20	1.0	6	13	78	1.30	2.20
CCS 6-1.0-25	6	25	1.0	6	17	102	1.30	2.10
CCS 6-1.0-30	6	30	1.0	6	21	122	1.30	2.00
CCS 8-1.0-15	8	15	1.0	7	10	70	1.20	2.10
CCS 8-1.0-20	8	20	1.0	7	12	84	1.40	2.30
CCS 8-1.0-25	8	25	1.0	7	16	112	1.40	2.00
CCS 8-1.0-30	8	30	1.0	7	18	126	1.50	2.25
CCS 8-1.0-40	8	40	1.0	7	25	175	1.50	2.00
CCS 10-1.0-20	10	20	1.0	8	12	96	1.40	2.30
CCS 10-1.0-25	10	25	1.0	8	16	128	1.40	2.00
CCS 10-1.0-30	10	30	1.0	8	18	144	1.50	2.25
CCS 10-1.0-40	10	40	1.0	8	25	200	1.50	2.00

BALL RETAINER ACS SERIES

BALL: CHROME STEEL BALLS
DIN GRADE: I
JIS GRADE: 10
PREFERRED GAUGE: ± 0



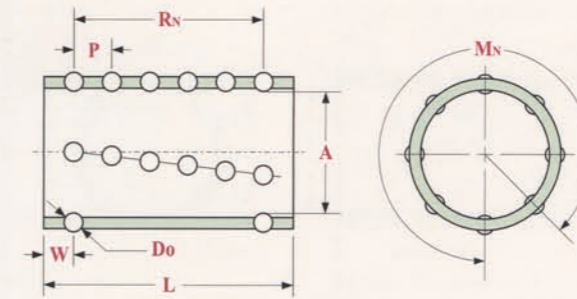
BALL CAGE MATERIAL: ALUMINUM ALLOY

UNIT: m/m

ITEM	A	L	Do	Mn	Rn	BALLS	P	W
ACS 19-50	19	50	3	10	12	120	3.60	5.20
ACS 19-60	19	60	3	10	15	150	3.60	4.80
ACS 20-50	20	50	3	10	12	120	3.60	5.20
ACS 20-60	20	60	3	10	15	150	3.60	4.80
ACS 22-50	22	50	3	11	12	132	3.60	5.20
ACS 22-60	22	60	3	11	15	165	3.60	4.80
ACS 23-60	23	60	3	11	15	165	3.60	4.80
ACS 24-75	24	75	3	13	16	208	4.30	5.25
ACS 25-50	25	50	3	13	10	130	4.40	5.20
ACS 25-60	25	60	3	13	12	156	4.40	5.80
ACS 25-75	25	75	3	13	16	208	4.30	5.25
ACS 27-75	27	75	3	13	16	208	4.30	5.25
ACS 28-3-60	28	60	3	14	12	168	4.50	5.25
ACS 28-3-75	28	75	3	14	16	224	4.30	5.25
ACS 30-60	30	60	4	15	9	135	6.10	5.60
ACS 30-85	30	85	4	15	13	195	6.10	5.90
ACS 31-60	31	60	4	15	9	135	6.10	5.60
ACS 31-85	31	85	4	15	13	195	6.10	5.90
ACS 32-60	32	60	4	15	9	135	6.10	5.60
ACS 32-90	32	90	4	15	14	210	6.10	5.35
ACS 36-85	36	85	4	16	13	208	6.10	5.90
ACS 36-90	36	90	4	16	14	224	6.10	5.35
ACS 38-70	38	70	5	15	9	135	7.30	5.80
ACS 38-95	38	95	5	15	12	180	7.50	6.25
ACS 40-95	40	95	5	15	12	180	7.50	6.25
ACS 42-95	42	95	5	16	12	192	7.50	6.25
ACS 45-90	45	90	5	17	11	187	7.50	7.50
ACS 45-110	45	110	5	17	14	238	7.50	6.25
ACS 50-90	50	90	5	19	11	209	7.60	7.00
ACS 50-100	50	100	5	19	13	247	7.40	5.60
ACS 50-110	50	110	5	19	14	266	7.50	6.25
ACS 56-110	56	110	5	21	14	294	7.50	6.25
ACS 60-90	60	90	5	21	11	231	7.60	7.00
ACS 60-100	60	100	5	21	13	273	7.40	5.60
ACS 60-110	60	110	5	21	14	294	7.50	6.25
ACS 80-125	80	125	5	28	16	448	7.40	7.00

BALL RETAINER AMS SERIES

BALL: CHROME STEEL BALLS
DIN GRADE: I
JIS GRADE: 10
PREFERRED GAUGE: ± 0



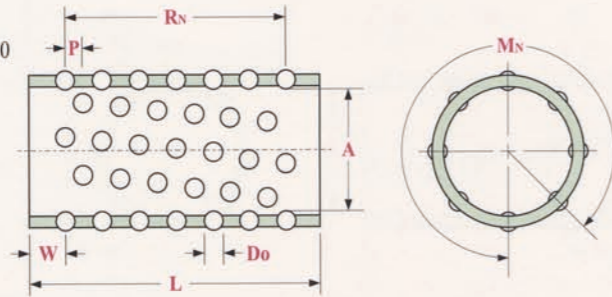
BALL CAGE MATERIAL: ALUMINUM ALLOY

UNIT: m/m

ITEM	A	L	Do	Mn	Rn	BALLS	P	W
AMS 19-50	19	50	3	12	8	96	5.50	5.75
AMS 19-60	19	60	3	12	10	120	5.50	5.25
AMS 20-50	20	50	3	12	8	96	5.50	5.75
AMS 20-60	20	60	3	12	10	120	5.50	5.25
AMS 22-50	22	50	3	14	8	112	5.50	5.75
AMS 22-60	22	60	3	14	10	140	5.50	5.25
AMS 23-60	23	60	3	14	10	140	5.50	5.25
AMS 24-75	24	75	3	16	13	208	5.45	4.80
AMS 25-50	25	50	3	16	8	128	5.50	5.75
AMS 25-60	25	60	3	16	10	160	5.50	5.25
AMS 25-75	25	75	3	16	13	208	5.45	4.80
AMS 27-75	27	75	3	16	13	208	5.45	4.80
AMS 28-60	28	60	4	14	8	112	6.50	7.25
AMS 28-75	28	75	4	14	11	154	6.40	5.50
AMS 30-60	30	60	4	14	8	112	6.50	7.25
AMS 30-75	30	75	4	14	11	154	6.40	5.50
AMS 31-60	31	60	4	16	8	128	6.50	7.25
AMS 31-75	31	75	4	16	11	176	6.40	5.50
AMS 32-60	32	60	4	16	8	128	6.50	7.25
AMS 32-90	32	90	4	16	13	208	6.50	6.00
AMS 36-70	36	70	4	16	10	160	6.50	5.75
AMS 36-85	36	85	4	16	12	192	6.50	6.75
AMS 38-70	38	70	5	16	8	128	8.00	7.00
AMS 38-90	38	90	5	16	11	176	7.90	5.50
AMS 40-95	40	95	5	16	11	176	8.00	7.50
AMS 42-95	42	95	5	18	11	198	8.00	7.50
AMS 45-90	45	90	5	18	11	198	7.90	5.50
AMS 45-110	45	110	5	18	13	234	8.00	7.00
AMS 50-90	50	90	5	20	11	220	7.90	5.50
AMS 50-100	50	100	5	20	12	240	8.00	6.00
AMS 50-110	50	110	5	20	13	260	8.00	7.00
AMS 56-110	56	110	5	22	13	286	8.00	7.00
AMS 60-90	60	90	5	22	11	242	7.90	5.50
AMS 60-100	60	100	5	22	12	264	8.00	6.00
AMS 60-110	60	110	5	22	13	286	8.00	7.00
AMS 80-125	80	125	5	32	15	480	7.80	7.90

PRECISION BALL RETAINER ACSP SERIES

BALL: CHROME STEEL BALLS
DIN GRADE: I
JIS GRADE: 10
PREFERRED GAUGE: ± 0



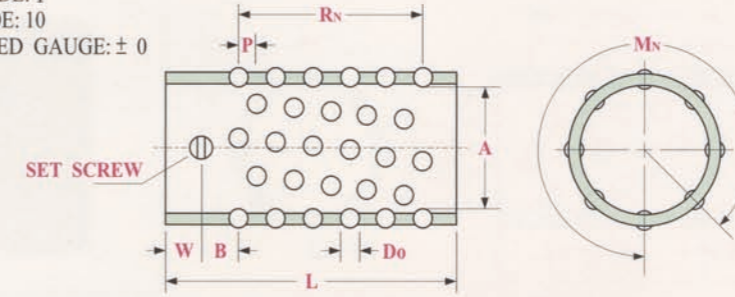
BALL CAGE MATERIAL: ALUMINUM ALLOY

UNIT: m/m

ITEM	A	L	Do	Mn	Rn	BALLS	P	W
ACSP 16-2.0-30	16	30	2	11	13	143	2.00	3.00
ACSP 16-2.0-35	16	35	2	11	15	165	2.00	3.50
ACSP 16-2.0-40	16	40	2	11	18	198	2.00	3.00
ACSP 19-50	19	50	3	11	15	165	2.75	5.75
ACSP 19-60	19	60	3	11	19	209	2.75	5.25
ACSP 20-50	20	50	3	11	15	165	2.75	5.75
ACSP 20-60	20	60	3	11	19	209	2.75	5.25
ACSP 22-50	22	50	3	12	15	180	2.75	5.75
ACSP 22-60	22	60	3	12	19	228	2.75	5.25
ACSP 25-50	25	50	3	14	15	210	2.75	5.75
ACSP 25-60	25	60	3	14	19	266	2.75	5.25
ACSP 25-75	25	75	3	14	25	350	2.75	4.50
ACSP 28-3-60	28	60	3	15	19	285	2.75	5.25
ACSP 28-3-75	28	75	3	15	25	375	2.75	4.50
ACSP 28-4-60	28	60	4	12	17	204	3.20	4.40
ACSP 28-4-75	28	75	4	12	21	252	3.20	5.50
ACSP 30-60	30	60	4	12	17	204	3.20	4.40
ACSP 30-85	30	85	4	12	24	288	3.20	5.70
ACSP 32-60	32	60	4	14	17	238	3.20	4.40
ACSP 32-75	32	75	4	14	21	294	3.20	5.50
ACSP 32-90	32	90	4	14	25	350	3.20	6.60
ACSP 36-75	36	75	4	15	21	315	3.20	5.50
ACSP 36-85	36	85	4	15	24	360	3.20	5.70
ACSP 38-70	38	70	5	14	15	210	4.00	7.00
ACSP 38-75	38	75	5	14	17	238	4.00	5.50
ACSP 38-90	38	90	5	14	20	280	4.00	7.00
ACSP 45-90	45	90	5	16	20	320	4.00	7.00
ACSP 45-110	45	110	5	16	25	400	4.00	7.00
ACSP 50-90	50	90	5	18	20	360	4.00	7.00
ACSP 50-100	50	100	5	18	23	414	4.00	6.00
ACSP 50-110	50	110	5	18	25	450	4.00	7.00
ACSP 56-90	56	90	5	19	20	380	4.00	7.00
ACSP 56-110	56	110	5	19	25	475	4.00	7.00
ACSP 60-90	60	90	5	20	20	400	4.00	7.00
ACSP 60-100	60	100	5	20	23	460	4.00	6.00
ACSP 60-110	60	110	5	20	25	500	4.00	7.00

COMMERCIAL BALL RETAINER ARS SERIES

BALL: CHROME STEEL BALLS
DIN GRADE: I
JIS GRADE: 10
PREFERRED GAUGE: ± 0



BALL CAGE MATERIAL: ALUMINUM ALLOY

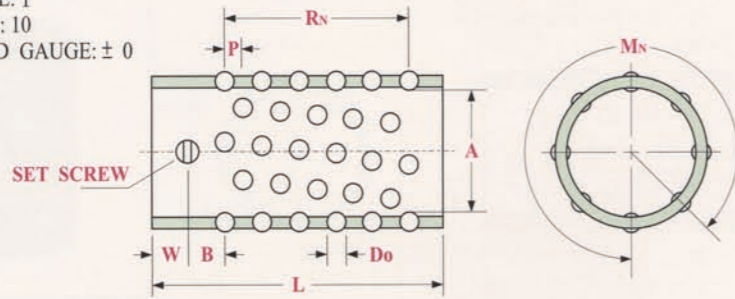
UNIT: INCH

ITEM	A	L	Do	Mn	Rn	BALLS	P	B	W
ARS 19-38	3/4"	1 1/2"	3/16"	11	3	33	0.275"	0.275"	0.25"
ARS 19-44	3/4"	1 3/4"	3/16"	11	4	44	0.275"	0.275"	0.25"
ARS 19-51	3/4"	2"	3/16"	11	5	55	0.275"	0.275"	0.25"
ARS 19-57	3/4"	2 1/4"	3/16"	11	6	66	0.275"	0.275"	0.25"
ARS 19-63	3/4"	2 1/2"	3/16"	11	7	77	0.275"	0.275"	0.25"
ARS 25-38	1"	1 1/2"	3/16"	13	3	39	0.275"	0.275"	0.25"
ARS 25-44	1"	1 3/4"	3/16"	13	4	52	0.275"	0.275"	0.25"
ARS 25-51	1"	2"	3/16"	13	5	65	0.275"	0.275"	0.25"
ARS 25-57	1"	2 1/4"	3/16"	13	6	78	0.275"	0.275"	0.25"
ARS 25-63	1"	2 1/2"	3/16"	13	7	91	0.275"	0.275"	0.25"
ARS 31-51	1 1/4"	2"	3/16"	15	5	75	0.275"	0.275"	0.25"
ARS 31-57	1 1/4"	2 1/4"	3/16"	15	6	90	0.275"	0.275"	0.25"
ARS 31-63	1 1/4"	2 1/2"	3/16"	15	7	105	0.275"	0.275"	0.25"
ARS 31-70	1 1/4"	2 3/4"	3/16"	15	8	120	0.275"	0.275"	0.25"
ARS 31-76	1 1/4"	3"	3/16"	15	9	135	0.275"	0.275"	0.25"
ARS 31-83	1 1/4"	3 1/4"	3/16"	15	10	150	0.275"	0.275"	0.25"
ARS 38-63	1 1/2"	2 1/2"	3/16"	17	7	119	0.275"	0.275"	0.25"
ARS 38-70	1 1/2"	2 3/4"	3/16"	17	8	136	0.275"	0.275"	0.25"
ARS 38-76	1 1/2"	3"	3/16"	17	9	153	0.275"	0.275"	0.25"
ARS 38-83	1 1/2"	3 1/4"	3/16"	17	10	170	0.275"	0.275"	0.25"
ARS 38-89	1 1/2"	3 1/2"	3/16"	17	10	170	0.275"	0.275"	0.25"
ARS 38-96	1 1/2"	3 3/4"	3/16"	17	11	187	0.275"	0.275"	0.25"
ARS 44-70	1 3/4"	2 3/4"	3/16"	17	8	136	0.275"	0.275"	0.25"
ARS 44-76	1 3/4"	3"	3/16"	17	9	153	0.275"	0.275"	0.25"
ARS 44-83	1 3/4"	3 1/4"	3/16"	17	10	170	0.275"	0.275"	0.25"
ARS 44-89	1 3/4"	3 1/2"	3/16"	17	10	170	0.275"	0.275"	0.25"
ARS 44-96	1 3/4"	3 3/4"	3/16"	17	11	187	0.275"	0.275"	0.25"
ARS 44-101	1 3/4"	4"	3/16"	17	12	204	0.275"	0.275"	0.25"
ARS 44-108	1 3/4"	4 1/4"	3/16"	17	13	221	0.275"	0.275"	0.25"
ARS 50-83	2"	3 1/4"	1/4"	18	7	126	0.354"	0.354"	0.30"
ARS 50-89	2"	3 1/2"	1/4"	18	8	144	0.354"	0.354"	0.30"
ARS 50-96	2"	3 3/4"	1/4"	18	9	162	0.354"	0.354"	0.30"
ARS 50-101	2"	4"	1/4"	18	9	162	0.354"	0.354"	0.30"
ARS 50-108	2"	4 1/4"	1/4"	18	10	180	0.354"	0.354"	0.30"
ARS 50-114	2"	4 1/2"	1/4"	18	11	198	0.354"	0.354"	0.30"
ARS 63-178	2 1/2"	7"	1/4"	20	18	360	0.354"	0.354"	0.30"
ARS 76-178	3"	7"	1/4"	22	18	432	0.354"	0.354"	0.30"

REMARKS: 1. USE ONE 1/4"-28 UNF-2A SCREW FOR DIAMETER 1 3/4" BELOW
2. USE TWO 1/4"-28 UNF-2A SCREWS FOR DIAMETER 2" UP

PRECISION BALL RETAINER ARSP SERIES

BALL: CHROME STEEL BALLS
DIN GRADE: I
JIS GRADE: 10
PREFERRED GAUGE: ± 0



BALL CAGE MATERIAL: ALUMINUM ALLOY

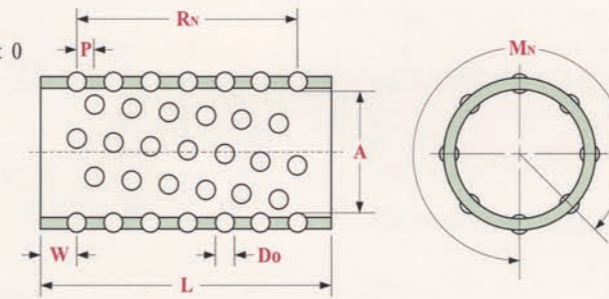
UNIT: INCH

ITEM	A	L	Do	Mn	Rn	BALLS	P	B	W
ARSP 19-38	3/4"	1 1/2"	3/16"	12	4	48	0.25"	0.28"	0.22"
ARSP 19-44	3/4"	1 3/4"	3/16"	12	5	60	0.25"	0.28"	0.22"
ARSP 19-51	3/4"	2"	3/16"	12	6	72	0.25"	0.28"	0.22"
ARSP 19-57	3/4"	2 1/4"	3/16"	12	7	84	0.25"	0.28"	0.22"
ARSP 19-63	3/4"	2 1/2"	3/16"	12	8	96	0.25"	0.28"	0.22"
ARSP 25-38	1"	1 1/2"	3/16"	14	4	56	0.25"	0.28"	0.22"
ARSP 25-44	1"	1 3/4"	3/16"	14	5	70	0.25"	0.28"	0.22"
ARSP 25-51	1"	2"	3/16"	14	6	84	0.25"	0.28"	0.22"
ARSP 25-57	1"	2 1/4"	3/16"	14	7	98	0.25"	0.28"	0.22"
ARSP 25-63	1"	2 1/2"	3/16"	14	8	112	0.25"	0.28"	0.22"
ARSP 31-51	1 1/4"	2"	3/16"	18	6	108	0.25"	0.28"	0.22"
ARSP 31-57	1 1/4"	2 1/4"	3/16"	18	7	126	0.25"	0.28"	0.22"
ARSP 31-63	1 1/4"	2 1/2"	3/16"	18	8	144	0.25"	0.28"	0.22"
ARSP 31-70	1 1/4"	2 3/4"	3/16"	18	9	162	0.25"	0.28"	0.22"
ARSP 31-76	1 1/4"	3"	3/16"	18	10	180	0.25"	0.28"	0.22"
ARSP 31-83	1 1/4"	3 1/4"	3/16"	18	11	198	0.25"	0.28"	0.22"
ARSP 38-63	1 1/2"	2 1/2"	3/16"	18	8	144	0.25"	0.28"	0.22"
ARSP 38-70	1 1/2"	2 3/4"	3/16"	18	9	162	0.25"	0.28"	0.22"
ARSP 38-76	1 1/2"	3"	3/16"	18	10	180	0.25"	0.28"	0.22"
ARSP 38-83	1 1/2"	3 1/4"	3/16"	18	11	198	0.25"	0.28"	0.22"
ARSP 38-89	1 1/2"	3 1/2"	3/16"	18	12	216	0.25"	0.28"	0.22"
ARSP 38-96	1 1/2"	3 3/4"	3/16"	18	13	234	0.25"	0.28"	0.22"
ARSP 44-70	1 3/4"	2 3/4"	3/16"	18	9	162	0.25"	0.28"	0.22"
ARSP 44-76	1 3/4"	3"	3/16"	18	10	180	0.25"	0.28"	0.22"
ARSP 44-83	1 3/4"	3 1/4"	3/16"	18	11	198	0.25"	0.28"	0.22"
ARSP 44-89	1 3/4"	3 1/2"	3/16"	18	12	216	0.25"	0.28"	0.22"
ARSP 44-96	1 3/4"	3 3/4"	3/16"	18	13	234	0.25"	0.28"	0.22"
ARSP 44-101	1 3/4"	4"	3/16"	18	14	252	0.25"	0.28"	0.22"
ARSP 44-108	1 3/4"	4 1/4"	3/16"	18	15	270	0.25"	0.28"	0.22"
ARSP 50-83	2"	3 1/4"	1/4"	18	11	198	0.25"	0.28"	0.22"
ARSP 50-89	2"	3 1/2"	1/4"	18	12	216	0.25"	0.28"	0.22"
ARSP 50-96	2"	3 3/4"	1/4"	18	13	234	0.25"	0.28"	0.22"
ARSP 50-101	2"	4"	1/4"	18	14	252	0.25"	0.28"	0.22"
ARSP 50-108	2"	4 1/4"	1/4"	18	15	270	0.25"	0.28"	0.22"
ARSP 50-114	2"	4 1/2"	1/4"	18	16	288	0.25"	0.28"	0.22"
ARSP 63-178	2 1/2"	7"	1/4"	20	24	480	0.25"	0.394"	0.26"
ARSP 76-178	3"	7"	1/4"	24	24	576	0.25"	0.394"	0.26"

REMARKS: 1. USE ONE 1/4"-28 UNF-2A SCREW FOR DIAMETER 1 3/4" BELOW
2. USE TWO 1/4"-28 UNF-2A SCREWS FOR DIAMETER 2" UP

BALL RETAINER PCS SERIES

BALL: CHROME STEEL BALLS
DIN GRADE: I
JIS GRADE: 10
PREFERRED GAUGE: ± 0



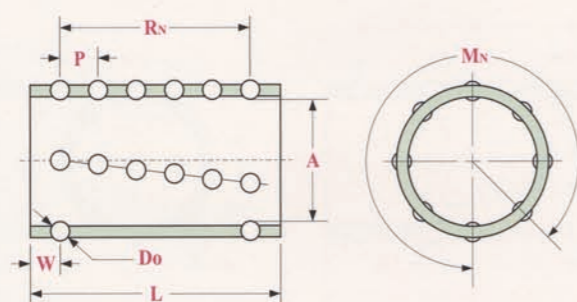
BALL CAGE MATERIAL: POM

UNIT: m/m

ITEM	A	L	Do	Mn	Rn	BALLS	P	W
PCS 19-50	19	50	3	10	12	120	3.60	5.20
PCS 19-60	19	60	3	10	15	150	3.60	4.80
PCS 20-50	20	50	3	10	12	120	3.60	5.20
PCS 20-60	20	60	3	10	15	150	3.60	4.80
PCS 22-50	22	50	3	11	12	132	3.60	5.20
PCS 22-60	22	60	3	11	15	165	3.60	4.80
PCS 23-60	23	60	3	11	15	165	3.60	4.80
PCS 24-75	24	75	3	13	16	208	4.30	5.25
PCS 25-50	25	50	3	13	10	130	4.40	5.20
PCS 25-60	25	60	3	13	12	156	4.40	5.80
PCS 25-75	25	75	3	13	16	208	4.30	5.25
PCS 27-75	27	75	3	13	16	208	4.30	5.25
PCS 28-3-60	28	60	3	14	12	168	4.50	5.25
PCS 28-3-75	28	75	3	14	16	224	4.30	5.25
PCS 30-60	30	60	4	15	9	135	6.10	5.60
PCS 30-85	30	85	4	15	13	195	6.10	5.90
PCS 31-60	31	60	4	15	9	135	6.10	5.60
PCS 31-85	31	85	4	15	13	195	6.10	5.90
PCS 32-60	32	60	4	15	9	135	6.10	5.60
PCS 32-90	32	90	4	15	14	210	6.10	5.35
PCS 36-85	36	85	4	16	13	208	6.10	5.90
PCS 36-90	36	90	4	16	14	224	6.10	5.35
PCS 38-70	38	70	5	15	9	135	7.30	5.80
PCS 38-95	38	95	5	15	12	180	7.50	6.25
PCS 40-95	40	95	5	15	12	180	7.50	6.25
PCS 42-95	42	95	5	16	12	192	7.50	6.25
PCS 45-90	45	90	5	17	11	187	7.50	7.50
PCS 45-110	45	110	5	17	14	238	7.50	6.25
PCS 50-90	50	90	5	19	11	209	7.60	7.00
PCS 50-100	50	100	5	19	13	247	7.40	5.60
PCS 50-110	50	110	5	19	14	266	7.50	6.25
PCS 56-110	56	110	5	21	14	294	7.50	6.25
PCS 60-90	60	90	5	21	11	231	7.60	7.00
PCS 60-100	60	100	5	21	13	273	7.40	5.60
PCS 60-110	60	110	5	21	14	294	7.50	6.25
PCS 80-125	80	125	5	28	16	448	7.40	7.00

BALL RETAINER PMS SERIES

BALL: CHROME STEEL BALLS
DIN GRADE: I
JIS GRADE: 10
PREFERRED GAUGE: ± 0



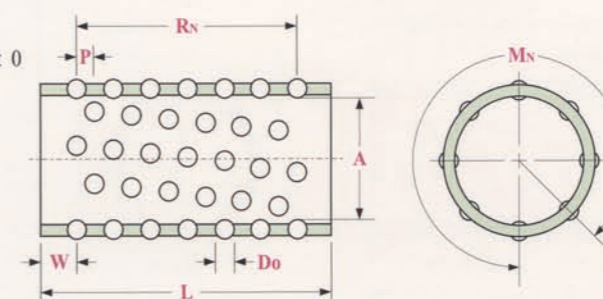
BALL CAGE MATERIAL: POM

UNIT: m/m

ITEM	A	L	Do	Mn	Rn	BALLS	P	W
PMS 19-50	19	50	3	12	8	96	5.50	5.75
PMS 19-60	19	60	3	12	10	120	5.50	5.25
PMS 20-50	20	50	3	12	8	96	5.50	5.75
PMS 20-60	20	60	3	12	10	120	5.50	5.25
PMS 22-50	22	50	3	14	8	112	5.50	5.75
PMS 22-60	22	60	3	14	10	140	5.50	5.25
PMS 23-60	23	60	3	14	10	140	5.50	5.25
PMS 24-75	24	75	3	16	13	208	5.45	4.80
PMS 25-50	25	50	3	16	8	128	5.50	5.75
PMS 25-60	25	60	3	16	10	160	5.50	5.25
PMS 25-75	25	75	3	16	13	208	5.45	4.80
PMS 27-75	27	75	3	16	13	208	5.45	4.80
PMS 28-60	28	60	4	14	8	112	6.50	7.25
PMS 28-75	28	75	4	14	11	154	6.40	5.50
PMS 30-60	30	60	4	14	8	112	6.50	7.25
PMS 30-75	30	75	4	14	11	154	6.40	5.50
PMS 31-60	31	60	4	16	8	128	6.50	7.25
PMS 31-75	31	75	4	16	11	176	6.40	5.50
PMS 32-60	32	60	4	16	8	128	6.50	7.25
PMS 32-90	32	90	4	16	13	208	6.50	6.00
PMS 36-70	36	70	4	16	10	160	6.50	5.75
PMS 36-85	36	85	4	16	12	192	6.50	6.75
PMS 38-70	38	70	5	16	8	128	8.00	7.00
PMS 38-90	38	90	5	16	11	176	7.90	5.50
PMS 40-95	40	95	5	16	11	176	8.00	7.50
PMS 42-95	42	95	5	18	11	198	8.00	7.50
PMS 45-90	45	90	5	18	11	198	7.90	5.50
PMS 45-110	45	110	5	18	13	234	8.00	7.00
PMS 50-90	50	90	5	20	11	220	7.90	5.50
PMS 50-100	50	100	5	20	12	240	8.00	6.00
PMS 50-110	50	110	5	20	13	260	8.00	7.00
PMS 56-110	56	110	5	22	13	286	8.00	7.00
PMS 60-90	60	90	5	22	11	242	7.90	5.50
PMS 60-100	60	100	5	22	12	264	8.00	6.00
PMS 60-110	60	110	5	22	13	286	8.00	7.00
PMS 80-125	80	125	5	32	15	480	7.80	7.90

PRECISION BALL RETAINER PCSP SERIES

BALL: CHROME STEEL BALLS
DIN GRADE: I
JIS GRADE: 10
PREFERRED GAUGE: ± 0



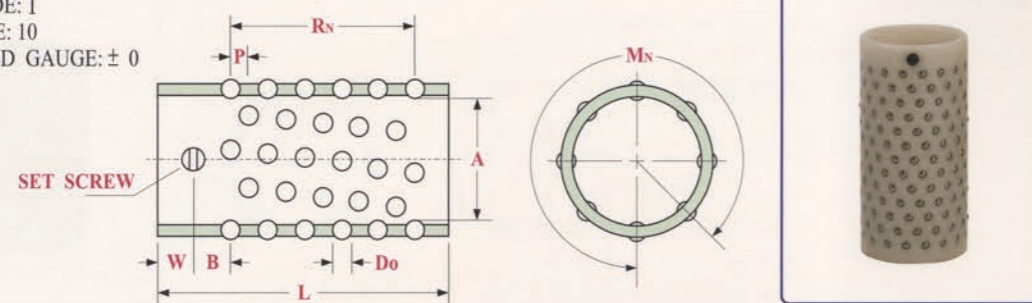
BALL CAGE MATERIAL: POM

UNIT: m/m

ITEM	A	L	Do	Mn	Rn	BALLS	P	W
PCSP 16-2.0-30	16	30	2	11	13	143	2.00	3.00
PCSP 16-2.0-35	16	35	2	11	15	165	2.00	3.50
PCSP 16-2.0-40	16	40	2	11	18	198	2.00	3.00
PCSP 19-50	19	50	3	11	15	165	2.75	5.75
PCSP 19-60	19	60	3	11	19	209	2.75	5.25
PCSP 20-50	20	50	3	11	15	165	2.75	5.75
PCSP 20-60	20	60	3	11	19	209	2.75	5.25
PCSP 22-50	22	50	3	12	15	180	2.75	5.75
PCSP 22-60	22	60	3	12	19	228	2.75	5.25
PCSP 25-50	25	50	3	14	15	210	2.75	5.75
PCSP 25-60	25	60	3	14	19	266	2.75	5.25
PCSP 25-75	25	75	3	14	25	350	2.75	4.50
PCSP 28-3-60	28	60	3	15	19	285	2.75	5.25
PCSP 28-3-75	28	75	3	15	25	375	2.75	4.50
PCSP 28-4-60	28	60	4	12	17	204	3.20	4.40
PCSP 28-4-75	28	75	4	12	21	252	3.20	5.50
PCSP 30-60	30	60	4	12	17	204	3.20	4.40
PCSP 30-85	30	85	4	12	24	288	3.20	5.70
PCSP 32-60	32	60	4	14	17	238	3.20	4.40
PCSP 32-75	32	75	4	14	21	294	3.20	5.50
PCSP 32-90	32	90	4	14	25	350	3.20	6.60
PCSP 36-75	36	75	4	15	21	315	3.20	5.50
PCSP 36-85	36	85	4	15	24	360	3.20	5.70
PCSP 38-70	38	70	5	14	15	210	4.00	7.00
PCSP 38-75	38	75	5	14	17	238	4.00	5.50
PCSP 38-90	38	90	5	14	20	280	4.00	7.00
PCSP 45-90	45	90	5	16	20	320	4.00	7.00
PCSP 45-110	45	110	5	16	25	400	4.00	7.00
PCSP 50-90	50	90	5	18	20	360	4.00	7.00
PCSP 50-100	50	100	5	18	23	414	4.00	6.00
PCSP 50-110	50	110	5	18	25	450	4.00	7.00
PCSP 56-90	56	90	5	19	20	380	4.00	7.00
PCSP 56-110	56	110	5	19	25	475	4.00	7.00
PCSP 60-90	60	90	5	20	20	400	4.00	7.00
PCSP 60-100	60	100	5	20	23	460	4.00	6.00
PCSP 60-110	60	110	5	20	25	500	4.00	7.00

COMMERCIAL BALL RETAINER PRS SERIES

BALL: CHROME STEEL BALLS
DIN GRADE: I
JIS GRADE: 10
PREFERRED GAUGE: ± 0



BALL CAGE MATERIAL: POM

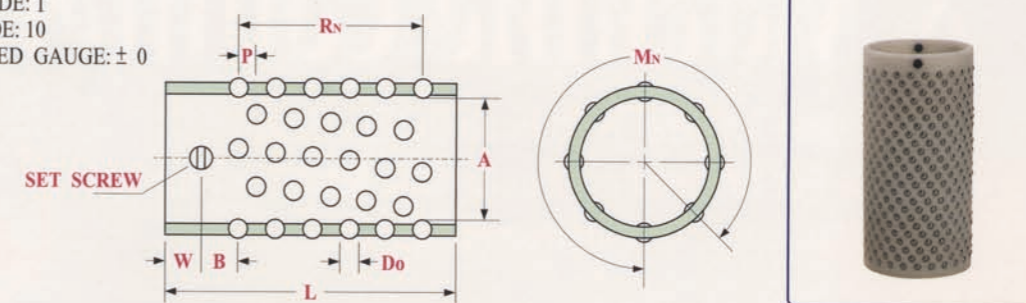
UNIT: INCH

ITEM	A	L	Do	Mn	Rn	BALLS	P	B	W
PRS 19-38	3/4"	1 1/2"	3/16"	11	3	33	0.275"	0.275"	0.25"
PRS 19-44	3/4"	1 3/4"	3/16"	11	4	44	0.275"	0.275"	0.25"
PRS 19-51	3/4"	2"	3/16"	11	5	55	0.275"	0.275"	0.25"
PRS 19-57	3/4"	2 1/4"	3/16"	11	6	66	0.275"	0.275"	0.25"
PRS 19-63	3/4"	2 1/2"	3/16"	11	7	77	0.275"	0.275"	0.25"
PRS 25-38	1"	1 1/2"	3/16"	13	3	39	0.275"	0.275"	0.25"
PRS 25-44	1"	1 3/4"	3/16"	13	4	52	0.275"	0.275"	0.25"
PRS 25-51	1"	2"	3/16"	13	5	65	0.275"	0.275"	0.25"
PRS 25-57	1"	2 1/4"	3/16"	13	6	78	0.275"	0.275"	0.25"
PRS 25-63	1"	2 1/2"	3/16"	13	7	91	0.275"	0.275"	0.25"
PRS 31-51	1 1/4"	2"	3/16"	15	5	75	0.275"	0.275"	0.25"
PRS 31-57	1 1/4"	2 1/4"	3/16"	15	6	90	0.275"	0.275"	0.25"
PRS 31-63	1 1/4"	2 1/2"	3/16"	15	7	105	0.275"	0.275"	0.25"
PRS 31-70	1 1/4"	2 3/4"	3/16"	15	8	120	0.275"	0.275"	0.25"
PRS 31-76	1 1/4"	3"	3/16"	15	9	135	0.275"	0.275"	0.25"
PRS 31-83	1 1/4"	3 1/4"	3/16"	15	10	150	0.275"	0.275"	0.25"
PRS 38-63	1 1/2"	2 1/2"	3/16"	17	7	119	0.275"	0.275"	0.25"
PRS 38-70	1 1/2"	2 3/4"	3/16"	17	8	136	0.275"	0.275"	0.25"
PRS 38-76	1 1/2"	3"	3/16"	17	9	153	0.275"	0.275"	0.25"
PRS 38-83	1 1/2"	3 1/4"	3/16"	17	10	170	0.275"	0.275"	0.25"
PRS 38-89	1 1/2"	3 1/2"	3/16"	17	10	170	0.275"	0.275"	0.25"
PRS 38-96	1 1/2"	3 3/4"	3/16"	17	11	187	0.275"	0.275"	0.25"
PRS 44-70	1 3/4"	2 3/4"	3/16"	17	8	136	0.275"	0.275"	0.25"
PRS 44-76	1 3/4"	3"	3/16"	17	9	153	0.275"	0.275"	0.25"
PRS 44-83	1 3/4"	3 1/4"	3/16"	17	10	170	0.275"	0.275"	0.25"
PRS 44-89	1 3/4"	3 1/2"	3/16"	17	10	170	0.275"	0.275"	0.25"
PRS 44-96	1 3/4"	3 3/4"	3/16"	17	11	187	0.275"	0.275"	0.25"
PRS 44-101	1 3/4"	4"	3/16"	17	12	204	0.275"	0.275"	0.25"
PRS 44-108	1 3/4"	4 1/4"	3/16"	17	13	221	0.275"	0.275"	0.25"
PRS 50-83	2"	3 1/4"	1/4"	18	7	126	0.354"	0.354"	0.30"
PRS 50-89	2"	3 1/2"	1/4"	18	8	144	0.354"	0.354"	0.30"
PRS 50-96	2"	3 3/4"	1/4"	18	9	162	0.354"	0.354"	0.30"
PRS 50-101	2"	4"	1/4"	18	9	162	0.354"	0.354"	0.30"
PRS 50-108	2"	4 1/4"	1/4"	18	10	180	0.354"	0.354"	0.30"
PRS 50-114	2"	4 1/2"	1/4"	18	11	198	0.354"	0.354"	0.30"
PRS 63-178	2 1/2"	7"	1/4"	20	18	360	0.354"	0.354"	0.30"
PRS 76-178	3"	7"	1/4"	22	18	432	0.354"	0.354"	0.30"

REMARKS: 1. USE ONE 1/4"-28 UNF-2A SCREW FOR DIAMETER 1 3/4" BELOW
2. USE TWO 1/4"-28 UNF-2A SCREWS FOR DIAMETER 2" UP

PRECISION BALL RETAINER PRSP SERIES

BALL: CHROME STEEL BALLS
DIN GRADE: I
JIS GRADE: 10
PREFERRED GAUGE: ± 0



BALL CAGE MATERIAL: POM

UNIT: INCH

ITEM	A	L	Do	Mn	Rn	BALLS	P	B	W
PRSP 19-38	3/4"	1 1/2"	3/16"	12	4	48	0.25"	0.28"	0.22"
PRSP 19-44	3/4"	1 3/4"	3/16"	12	5	60	0.25"	0.28"	0.22"
PRSP 19-51	3/4"	2"	3/16"	12	6	72	0.25"	0.28"	0.22"
PRSP 19-57	3/4"	2 1/4"	3/16"	12	7	84	0.25"	0.28"	0.22"
PRSP 19-63	3/4"	2 1/2"	3/16"	12	8	96	0.25"	0.28"	0.22"
PRSP 25-38	1"	1 1/2"	3/16"	14	4	56	0.25"	0.28"	0.22"
PRSP 25-44	1"	1 3/4"	3/16"	14	5	70	0.25"	0.28"	0.22"
PRSP 25-51	1"	2"	3/16"	14	6	84	0.25"	0.28"	0.22"
PRSP 25-57	1"	2 1/4"	3/16"	14	7	98	0.25"	0.28"	0.22"
PRSP 25-63	1"	2 1/2"	3/16"	14	8	112	0.25"	0.28"	0.22"
PRSP 31-51	1 1/4"	2"	3/16"	18	6	108	0.25"	0.28"	0.22"
PRSP 31-57	1 1/4"	2 1/4"	3/16"	18	7	126	0.25"	0.28"	0.22"
PRSP 31-63	1 1/4"	2 1/2"	3/16"	18	8	144	0.25"	0.28"	0.22"
PRSP 31-70	1 1/4"	2 3/4"	3/16"	18	9	162	0.25"	0.28"	0.22"
PRSP 31-76	1 1/4"	3"	3/16"	18	10	180	0.25"	0.28"	0.22"
PRSP 31-83	1 1/4"	3 1/4"	3/16"	18	11	198	0.25"	0.28"	0.22"
PRSP 38-63	1 1/2"	2 1/2"	3/16"	18	8	144	0.25"	0.28"	0.22"
PRSP 38-70	1 1/2"	2 3/4"	3/16"	18	9	162	0.25"	0.28"	0.22"
PRSP 38-76	1 1/2"	3"	3/16"	18	10	180	0.25"	0.28"	0.22"
PRSP 38-83	1 1/2"	3 1/4"	3/16"	18	11	198	0.25"	0.28"	0.22"
PRSP 38-89	1 1/2"	3 1/2"	3/16"	18	12	216	0.25"	0.28"	0.22"
PRSP 38-96	1 1/2"	3 3/4"	3/16"	18	13	234	0.25"	0.28"	0.22"
PRSP 44-70	1 3/4"	2 3/4"	3/16"	18	9	162	0.25"	0.28"	0.22"
PRSP 44-76	1 3/4"	3"	3/16"	18	10	180	0.25"	0.28"	0.22"
PRSP 44-83	1 3/4"	3 1/4"	3/16"	18	11	198	0.25"	0.28"	0.22"
PRSP 44-89	1 3/4"	3 1/2"	3/16"	18	12	216	0.25"	0.28"	0.22"
PRSP 44-96	1 3/4"	3 3/4"	3/16"	18	13	234	0.25"	0.28"	0.22"
PRSP 44-101	1 3/4"	4"	3/16"	18	14	252	0.25"	0.28"	0.22"
PRSP 44-108	1 3/4"	4 1/4"	3/16"	18	15	270	0.25"	0.28"	0.22"
PRSP 50-83	2"	3 1/4"	1/4"	18	11	198	0.25"	0.28"	0.22"
PRSP 50-89	2"	3 1/2"	1/4"	18	12	216	0.25"	0.28"	0.22"
PRSP 50-96	2"	3 3/4"	1/4"	18	13	234	0.25"	0.28"	0.22"
PRSP 50-101	2"	4"	1/4"	18	14	252	0.25"	0.28"	0.22"
PRSP 50-108	2"	4 1/4"	1/4"	18	15	270	0.25"	0.28"	0.22"
PRSP 50-114	2"	4 1/2"	1/4"	18	16	288	0.25"	0.28"	0.22"
PRSP 63-178	2 1/2"	7"	1/4"	20	24	480	0.25"	0.394"	0.26"
PRSP 76-178	3"	7"	1/4"	24	24	576	0.25"	0.394"	0.26"

REMARKS: 1. USE ONE 1/4"-28 UNF-2A SCREW FOR DIAMETER 1 3/4" BELOW
2. USE TWO 1/4"-28 UNF-2A SCREWS FOR DIAMETER 2" UP

Electro-Magnetic Counter & Machine Counter

Economical Totalizer With Push Button Reset, Suitable For Amusement Equipment, Machine Tools, Office Machines, Test Instruments.....Etc.



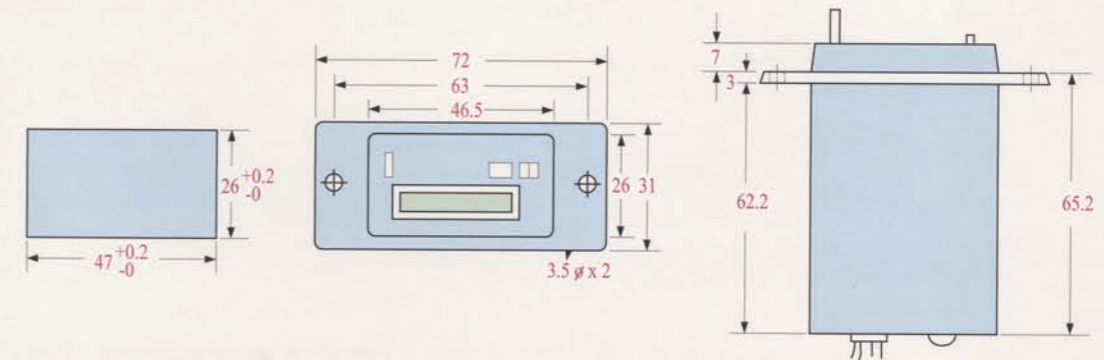
C090501



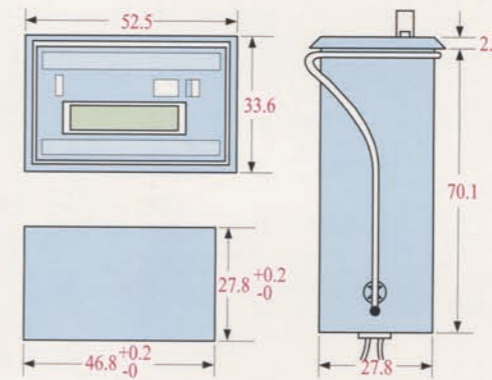
ELECTRO-MAGNETIC COUNTER



LFC-5 DIMENSIONS (mm)

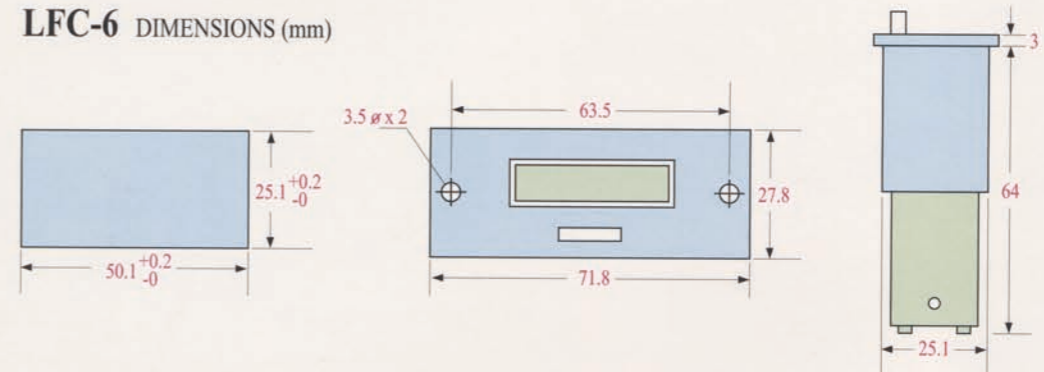


LFC-5S DIMENSIONS (mm)

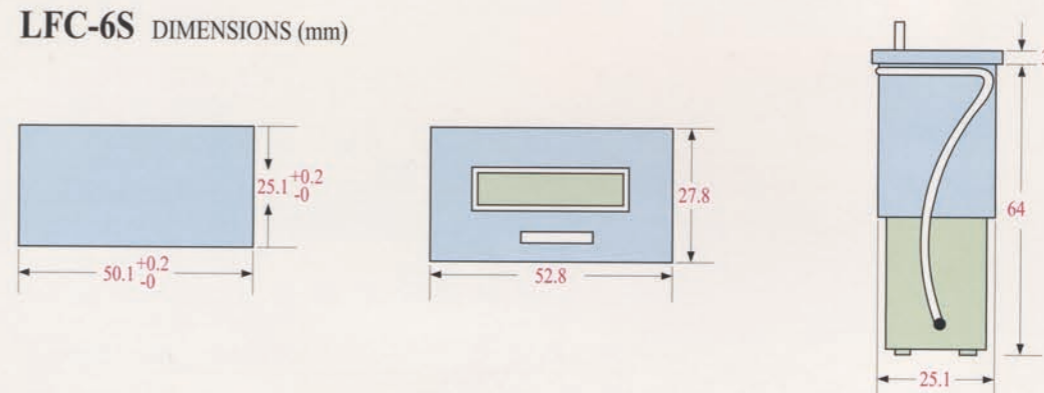


Specs.	Models	LFC-5, LFC-5S, LFC-6, LFC-6S
Voltage		AC110V, 220V DC-12V, 24V
Tolerance		Rated Voltage -15% ~ +10%
Consumption		3VA 3.5W
Counting Speed		10CPS
Life		20,000,000 Times
Test		AC-1, 500V (50/60Hz) 1 minute (Dielectric)

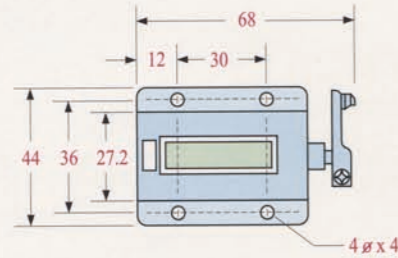
LFC-6 DIMENSIONS (mm)



LFC-6S DIMENSIONS (mm)



MACHINE COUNTER

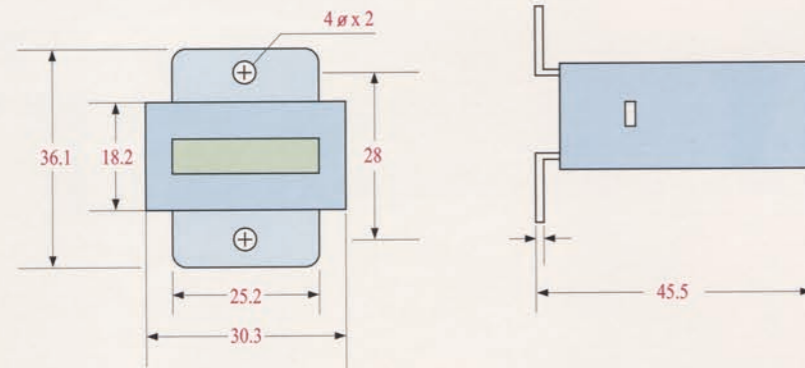


LFC-5P-RS DIMENSIONS (mm)

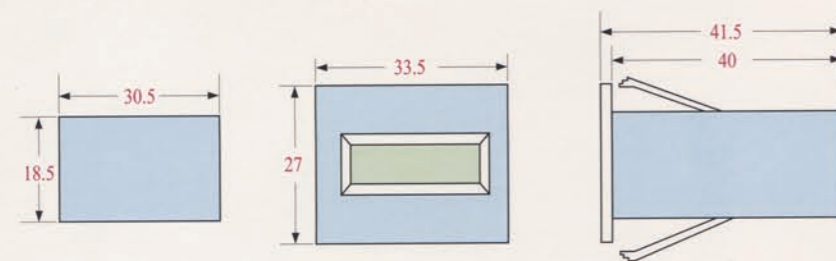
SPECIFICATIONS:
Digit : 5
Max. Speed : 800 Times/Minute
Weight : 68g
Color : Gray

ELECTRO-MAGNETIC COUNTER (W/O RESET)

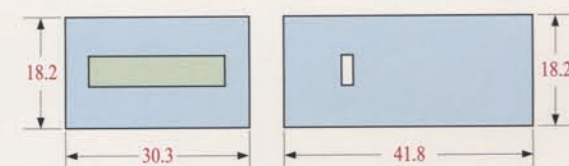
LFC-6N DIMENSIONS (mm)



LFC-6NS DIMENSIONS (mm)



LFC-6NN DIMENSIONS (mm)



Specs.	Models	LFC-6N, LFC-6NS, LFC-6NN
Voltage		DC-12V, 6V
Tolerance		Rated Voltage -15% ~ +10%
Consumption		3.5W
Counting Speed		10CPS
Life		10,000,000 Times
Test		AC-1, 500V (50/60Hz) 1 minute (Dielectric)



URCON®

優拉鋼精密工業有限公司

Uracon Precision Industrial Co., Ltd.

P.O. Box 131 Panchiao, Taipei Hsien, Taiwan.

Factory : No. 31, Lane 380, Chung Shan Rd., Sec. 2, Chung Ho City,
Taipei Hsien (23519), Taiwan.

E-mail : uracon88@ms23.hinet.net http://www.uracon.com.tw

Tel: 886-2-22409320, 22409321, 22409156 Fax: 886-2-22409157