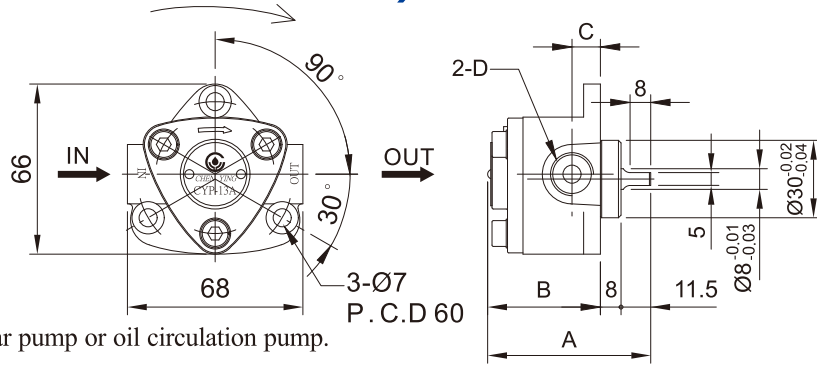




# Rotary Oil Pump (Clockwise or Anti-clockwise)

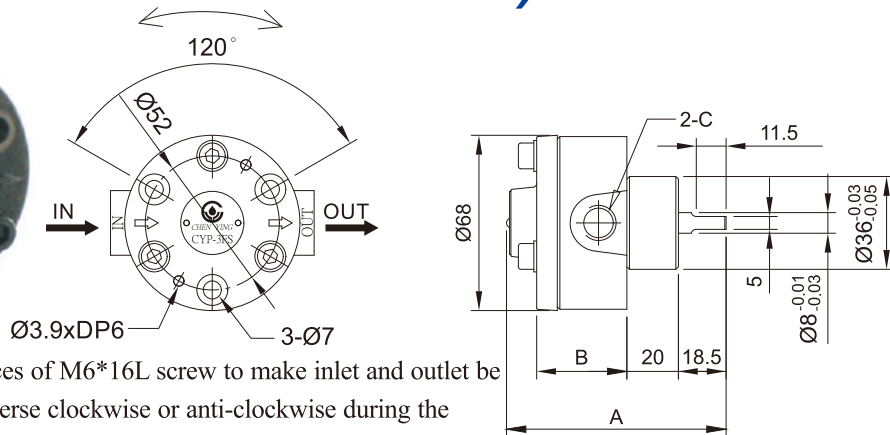


### ◆ Features

1. Rotary oil pump is also called triangular pump or oil circulation pump.
2. Recommend to assemble with 1/4 HP Horizontal Motor.
3. The flow rate of CYP-10A ~ 13A are all different, and the standard model is clockwise. Please remark on order while request anti-clockwise one.
4. It can be added an adjustable pressure valve CYP-AV as optional. The range of pressure adjustment is 0~5 kg/cm<sup>2</sup>.
5. Special request on assembling with reservoir or cyclic inlet or motor with fan, etc. are available. Refer to Chen Ying Circulating Electric Lubricator series products.
6. The standard revolution is 1420~1720 rpm. Low rpm 450~1200 rpm is only available for CYP-12L type.
7. It can be applied widely for lubricating or cooling in various machines.
8. The suitable oil viscosity is R32~68cSt @ 40 °C and suitable operating temperature is 0°C ~ 90°C.

Model	Dis. Volume(L/min)		Max Pressure	R.P.M	A	B	C	D	N.W. (g)
	1420rpm	1720rpm							
CYP-10A	1.1	1.4	5kgf/cm <sup>2</sup>	1420~1720	56.5	37	11	PT1/8	570
CYP-11A-1	2.2	2.7			56.5	37	11	PT1/8	600
CYP-11A-2					56.5	37	11	PT1/4	
CYP-12A	3.7	4.5		1420~1720	62.5	43	11	PT1/4	650
CYP-12L	3.4	4.2		450~1200				PT1/4	
CYP-13A	6.5	7.9		1420~1720	77.5	58	13.5	PT3/8	840

# Reversible Pump (Clockwise and Anti-clockwise)



### ◆ Features

1. Reversible pump uses three pieces of M6\*16L screw to make inlet and outlet be fixed. The rotating shaft can reverse clockwise or anti-clockwise during the operation of machine.
2. It is suitable for assembling with gear pump.
3. There are CYP-1FS~3FS available for different flow rate. The high revolution is 2,000 rpm.
4. Reversible pump is usually applied in Drilling Machines, Milling Machines, and CNC Lathes, etc.
5. The suitable oil viscosity is R32~68cSt @ 40°C.

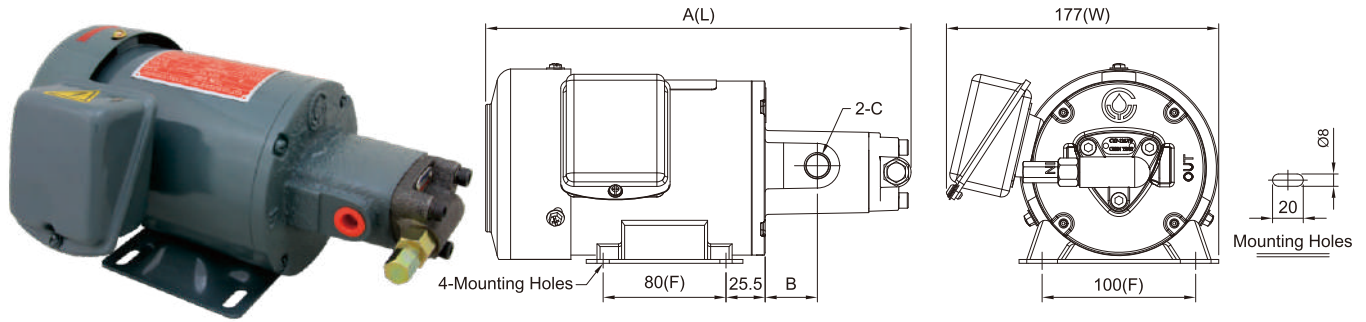
Model	Dis. Volume(L/min)		Max Pressure	R.P.M	A	B	C	N.W. (g)
	1420rpm	1720rpm						
CYP-1FS	1.7	2.0	5kgf/cm <sup>2</sup>	2000	85	35	PT1/4	1000
CYP-2FS	2.7	3.2			89	39		1100
CYP-3FS	3.7	4.5			93	43		1200



CHEN YING

# Integrated Motor with Oil Pump

Integrated Motor with Oil Pump



1/4HP Integrated Motor with Oil Pump Externals  
(With Rotary Oil Pump and Pressure Valve)

### ◆ Features

1. Integrated Motor with Oil Pump only rotates either clockwise or anti-clockwise and the specification is only available for 1/4 HP Horizontal Motor.
2. The shafts of motor and pump rotor are integrated so that it can prevent the two shafts from chafing against each other and prolong the life time of it.
3. There are CYP-12A and CYP-13A available for different flow rates.
4. It can be added an adjustable pressure valve as optional. The range of pressure adjustment is 2~5 kgf/cm<sup>2</sup>.
5. CYP oil pump can be added bearings to reduce wear rate and the noise. This design has Taiwan Design Patent no. M344393.
6. It can be applied widely for lubricating or cooling in various machines, such as CNC machines, knitting machines and planning machines.
7. Suitable oil viscosity range is 32~68cSt@40 °C
8. The suitable operation temperature range is 0°C ~ 90°C.

### ◆ Specification

Model	W/Adjustable Pressure Valve	A	B	C	Discharge Volume (L/min)		Max Pressure	R.P.M	N.W.(g)
					1420rpm	1720rpm			
CYP-12A	O	265	37	PT1/4	3.7	4.5	5 kgf/cm <sup>2</sup>	1420~1720 rpm	7020
	X	249	37						6787
CYP-13A	O	277	34	PT3/8	6.5	7.9	5 kgf/cm <sup>2</sup>	1420~1720 rpm	7150
	X	261	34						6917

### ◆ Order Code :

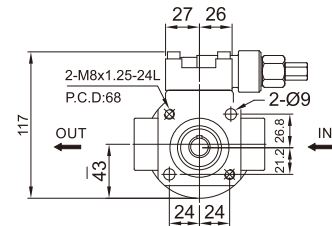
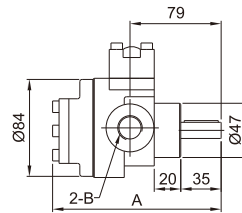
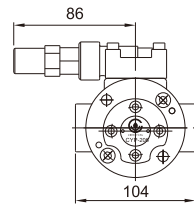
PMO - 1	02	D	12	1	※
Integrated Motor W/Oil Pump	Motor 02: 1/4HP	Voltage A : 1Ø110V C : 1Ø220V D : 3Ø220/380V E : 3Ø220/440V F : 3Ø208/415V G : 3Ø230/460V H : 3Ø240/480V X : Special Voltage	Pump Model 12 : 12A 13 : 13A	Pressure Valve 1 : With Pressure Valve 0 : Without Pressure Valve	Special Request B : Pump With Bearings

# CYP-204~CYP-210 Heavy Oil Pump



Heavy Oil Pump  
W/Holder

\* Standard type is  
without the holder.



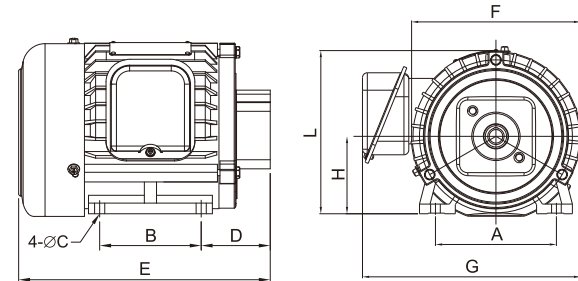
Model	A	B
CYP-204	141	PT 1/2
CYP-206	146	PT 3/4
CYP-208	151	
CYP-210	156	

Model	A	B
CYP-212	161	PT 3/4, PT 1
CYP-216	171	PT 1
CYP-220	181	PT 1

CYP-204/206/208/210/212 Shaft Size CYP-216/220 Shaft Size



Horizontal Motor+  
Heavy Oil Pump



Horse Power(HP)	A	B	C	D	E	F	G	H	L
1/2	125	100	Ø10	68.0	247.5	175	225.5	80	167.5
	112	90	Ø10	76.5	243.5	156	214.0	71	154.0

Horse Power(HP)	A	B	C	D	E	F	G	H	L
1	125	100	Ø10	75.5	262.5	175	225.5	80	168
2	140	125	Ø12	72.5	284.0	196	251.0	90	188
3	140	125	Ø12	80.0	299.0	196	251.0	90	193

## ◆ Features

1. The pressure and discharge volume is bigger than the rotary oil pump. It's easy to operate and install.
2. Recommend to assemble with adjustable valve and working pressure under 10kgf/cm<sup>2</sup> in order to avoid damaging oil pump function.
3. Use clean oil to avoid the block or damage the pump.
4. Standard fixed-hole direction is \. If the fixed-hole direction is /, please mark ※ T on order code.
5. The standard fixed hole is 125x100mm for 1/2HP motor assembled with heavy oil pump. If the fixed hole needs to be 112x90mm, please mark ※K while ordering.
6. The connector can help to reduce the noise while the motor is operating. It also can make the shaft much more durable. With a dust-shelter for the safety concern.
7. 1/2HP and 1HP TECO motor are available on request. Please mark ※ M while ordering.
8. The proper oil viscosity is 32~220cSt@40°C.
9. Recommend to install an Oil Auto Cleaner or a Line Filter to prevent any impurities from clogging or causing damage to the heavy oil pump in order to prolong the life cycle of heavy oil pump.

## ◆ Application of Machinery and Equipment

Suitable for various kinds of Machinery.

## ◆ Recommend to work with the motor as the follows.

Model	Discharge Volume (L/min)		Max Pressure	R.P.M.	A Length (mm)	B Bore	N. W. (kg)
	1420rpm	1720rpm					
CYP-204	7.5	9.0	20 kgf/cm <sup>2</sup>	450~2000 rpm	141	PT 1/2	3.2
CYP-206	11.3	13.5			146	PT 3/4	3.3
CYP-208	15.3	18.5			151	PT 3/4	3.5
CYP-210	19.0	23.0			156	PT 3/4	3.7
CYP-212	21.9	26.5			161	PT1, PT3/4	3.9
CYP-216	29.3	35.5			171	PT1	4.3
CYP-220	34.3	41.5			181	PT1	4.6

With Adjustable Pressure Valve		Without Adjustable Pressure Valve	
Model	Motor Type	Model	Motor Type
CYP-204	1/2HP	CYP-204	1HP
CYP-206	1/2HP	CYP-206	1HP
CYP-208	1/2HP	CYP-208	1HP
CYP-210	1/2HP	CYP-210	2HP
CYP-212	1HP	CYP-212	2HP
CYP-216	1HP	CYP-216	2HP
CYP-220	1HP	CYP-220	3HP

◆ Order Code: \* The net weight includes the adjustable pressure valve.

CYP-204

1

04

C

※

Model  
204  
206  
208  
210  
212  
216  
220

1 : With Adjustable Pressure Valve  
0 : Without Adjustable Pressure Valve

Motor  
04 : 1/2HP  
08 : 1HP  
16 : 2HP  
24 : 3HP

Voltage  
A : 1 Ø110V  
C : 1 Ø220V  
D : 3 Ø220/380V  
E : 3 Ø220/440V  
F : 3 Ø208/415V  
G : 3 Ø230/460V  
H : 3 Ø240/480V  
X : Special Voltage

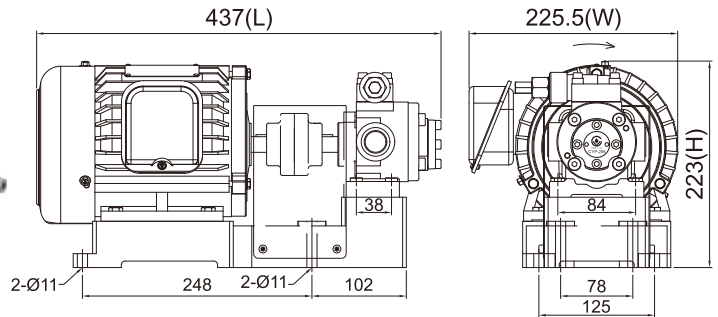
Special Request  
T : Fixed-Hole Direction/  
K : Fixed-Hole size 112×90 mm  
H : Add a heavy oil pump holder  
M : Change motor to TECO motor

\*The standard specification of B Bore for CYP-212 is PT1.



CHEN YING

# Horizontal Motor + Connector + Heavy Oil Pump



Horizontal Motor with Cast Iron Frame + Connector + Heavy Oil Pump

◆ **Features:**

1. It can steady provides oil.
2. It is easy to operate and install.
3. The discharge volume and pressure is bigger than the rotary oil pump.
4. Recommend to assemble with an adjustable valve and working pressure under 10 kgf/cm<sup>2</sup> in order to avoid damaging oil pump function.
5. Use clean oil to avoid the block or damage the pump.
6. The connector can help to reduce the noise while the motor is operating. It also can make the shaft much more durable. With a dust-shelter for the safety concern.
7. 1/2HP and 1HP TECO motor are available on request. Please mark ※M while ordering.
8. The proper oil viscosity is 32~220cSt@40°C
9. Recommend to install an Oil Auto Cleaner or a Line Filter to prevent any impurities from clogging or causing damage to the heavy oil pump in order to prolong the life cycle of heavy oil pump.

◆ **Application:**

1. Heavy oil pump can supply oil steadily, and be operated easily. It can be applied extensively to various different size machines such as industrial machines, tool machines, screw machines, etc.

◆ **Recommend to work with the motor as the follows.**

Model	Discharge Volume (L/min)		Max Pressure	R.P.M.	Length (mm)	Dis. Bore	Pump Pedestal Holder	
	1420rpm	1720rpm					Distance Between Fixed Holes (mm)	Height (mm)
CYP-204	7.5	9.0	20 kgf/cm <sup>2</sup>	450~2000 rpm	141	PT 1/2	84, 38	134
CYP-206	11.3	13.5			146	PT 3/4		
CYP-208	15.3	18.5			151	PT 3/4		
CYP-210	19.0	23.0			156	PT 3/4		
CYP-212	21.9	26.5			161	PT 1, PT 3/4		
CYP-216	29.3	35.5			171	PT1		
CYP-220	34.3	41.5			181	PT1		

Model	With Adjustable Pressure Valve (Recommendable)	Without Adjustable Pressure Valve
	Motor Type	Motor Type
CYP-204	1/2HP	1HP
CYP-206	1/2HP	1HP
CYP-208	1/2HP	1HP
CYP-210	1/2HP	2HP
CYP-212	1HP	2HP
CYP-216	1HP	2HP
CYP-220	1HP	3HP

◆ **Order Code:**

<b>CYP-204</b>	<b>1</b>	<b>04</b>	<b>C</b>	<b>※</b>
Model	Adjustable Pressure Valve	Motor	Voltage:	Special Request
204		04 : 1/2HP	A: 1Ø 110V	T: Change the fixed-hole direction of heavy oil pump to /.
206	1: With Adjustable	08 : 1HP	C: 1Ø 220V	M: Change motor to TECO motor.
208	Pressure Valve	16 : 2HP	D: 3Ø 220/380V	Y: Add connector, pump holder, and motor fixed seat.
210		24 : 3HP	E: 3Ø 220/440V	
212	0: Without Adjustable		F: 3Ø 208/415V	
216	Pressure Valve		G: 3Ø 230/460V	
220			H: 3Ø 240/480V	
			X: Special Voltage	

\*The standard specification of B Bore for CYP-212 is PT1.

Horizontal Motor + Connector + Heavy Oil Pump



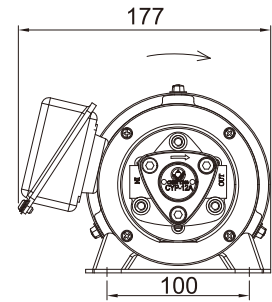
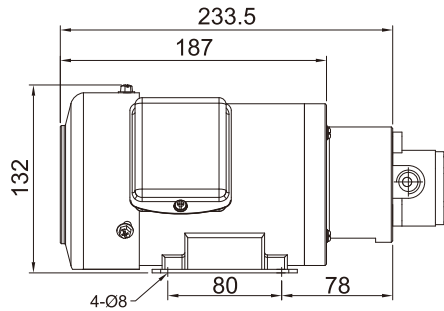


CHEN YING

# Horizontal Motor With Connector



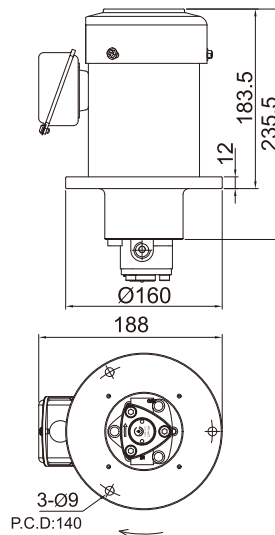
N.W.: 7 kg



# Vertical Motor With Connector



N.W.: 8.9 kg

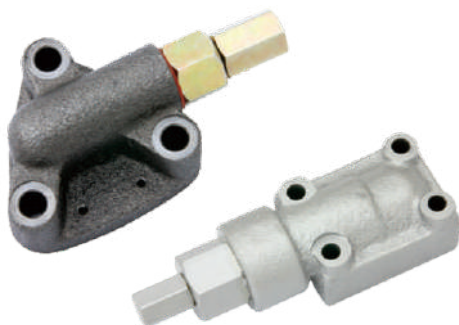


PS. Please specify the model of rotary oil pump (CYP-10A ~ CYP-13A) if needs to assemble with motor

◆ Order Code :

PMO	—	2		02		D		1		※
		2 : Motor With Connector		HP		Voltage		1 : Vertical Type		Special Request
				02 : 1/4HP		A : 1Ø110V		3 : Horizontal Type		
						C : 1Ø220V				
						D : 3Ø220V/380V				
						E : 3Ø220V/440V				
						F : 3Ø208V/415V				
						G : 3Ø230/460V				
						H : 3Ø240/480V				
						X : Special Voltage				

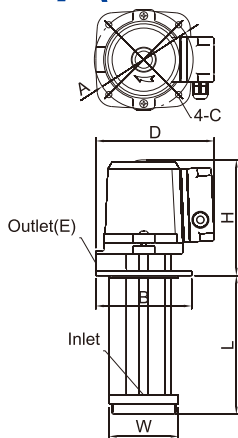
# Adjustable Pressure Valve



Model	Adjustable pressure range	N. W. (g)
CYP-AV (Assembled with CYP-10A~13A)	0~5kgf/cm <sup>2</sup>	352
CYP-HA (Assembled with CYP-204~220)	0~10kgf/cm <sup>2</sup>	565

Horizontal Motor With Connector / Vertical Motor With Connector / Adjustable Pressure Valve

# Electric Immersion Pump(Coolant Pump)



HP	A	B	C	D	E(Dis. Bore)	H	W	L(On request)	Output(L/min)	Lift/Meter	Mark
1/8HP	Ø128	155	Ø8	180	PT 3/8	160	92	100/120/130/150/180	25~28	5.0~6.0	C
	Ø128	125	Ø8	153	PT 3/8	150	90	100/133/150/180/220	31~33	5.2~5.8	F
	Ø128	125	Ø8	153	PT 1/2				35~38	5.0~5.5	F
1/4HP	Ø158	180	Ø8	200	PT 1/2	180	125	120/150/180/200/240/270/300/350	71~76	9.0~10.0	C
	Ø158	175	Ø10	198	PT 1/2	200	124	155/180/200/220	70~72	9.6~10.2	F
					PT 3/4			240/270/350	85~92	9.3~10.0	F
1/2HP	Ø171	196	Ø10	222	PT 1	238	138	150/180/240/290	137	14.8	F
1 HP	Ø185	212	Ø10	225		270	152	250/290/380	190	18.1	F
1½HP						210			19.0	F	

PS. The output will be different according to the different voltage, length and discharge bore.

### ◆Order Code :

PMO-4	01	D	180	A	F	※
4 : Immersion Pump	HP	Voltage	Height(mm) could be custom-made on request.	Discharge Bore	Mark F or C (Standard : F Type)	Special Request
01 : 1/8HP	A : 1Ø110V(1/8HP、1/4HP)			A : 1/2"(1/8HP、1/4HP)		
02 : 1/4HP	C : 1Ø220V(1/8HP、1/4HP)			B : 3/4"(1/4HP)		
04 : 1/2HP	D : 3Ø220V/380V			C : 1"(1/2HP、1HP、1½HP)		
08 : 1HP	E : 3Ø220V/440V			D : 3/8"(1/8HP)		
12 : 1½HP	F : 3Ø208V/415V					
	G : 3Ø230V/460V					
	H : 3Ø240V/480V					
	X : Special Voltage					

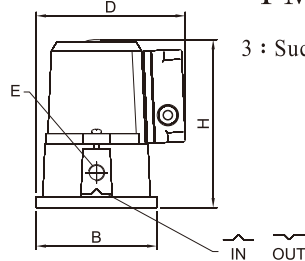
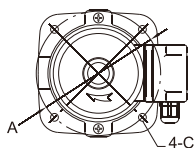
# Electric Suction Pump(Coolant Pump)



HP	A	B	C	D	E(Dis. Bore)	H	Output(L/min)	Voltage	Mark
1/8HP	Ø140	165	Ø8	185	PT 3/8	195	24~27	4.6~5.0	C
	Ø140	147	Ø8	187	PT 3/8	173	21~22	4.6~5.0	F
					PT 1/2		23~25		F
1/4HP	Ø185	225	Ø8	235	PT 1/2	240	70~75	8.1~8.6	C
	Ø185	178	Ø10	215	PT 1/2	233	56~58	8.1~8.6	F
					PT 3/4		72~74		F
1/2HP	Ø215	170	Ø11	216	PT 3/4	310	120	16.3	F
1 HP	Ø219	204	Ø11	233	PT 1	354	145	18.0	F
1½HP	Ø219	204	Ø11	233	PT 1	354	170	22.5	F

PS. The output will be different according to the different voltage, length and discharge bore.

Notice : Do not let the tank level exceed the pump level above 1.5 meters. The fluid pressure of the water inlet should be lower than 0.2kg/cm<sup>2</sup>. In addition, fluid level should not be lower than the water inlet more than 140mm in order to avoid idle running which causes motor damage due to insufficient suction.



### ◆Order Code :

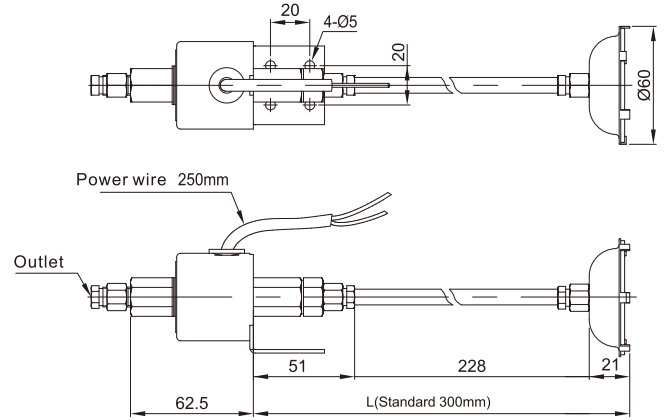
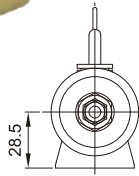
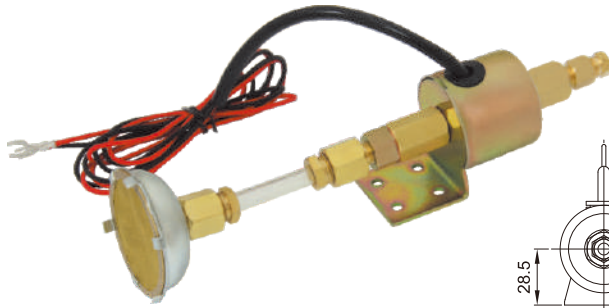
PMO-3	01	D	A	F	※
3 : Suction Pump	HP	Voltage	Discharge Bore	Mark F or C (Standard : F Type)	Special Request
01 : 1/8HP	A : 1Ø110V(1/8HP、1/4HP)		A : 1/2"(1/8HP、1/4HP)		
02 : 1/4HP	C : 1Ø220V(1/8HP、1/4HP)		B : 3/4"(1/4HP、1/2HP)		
04 : 1/2HP	D : 3Ø220V/380V		C : 1"(1HP、1½HP)		
08 : 1HP	E : 3Ø220V/440V		D : 3/8"(1/8HP)		
12 : 1½HP	F : 3Ø208V/415V				
	G : 3Ø230/460V				
	H : 3Ø240/480V				
	X : Special Voltage				



CHEN YING

# Electro-Magnetic Pump

Electro-Magnetic Pump

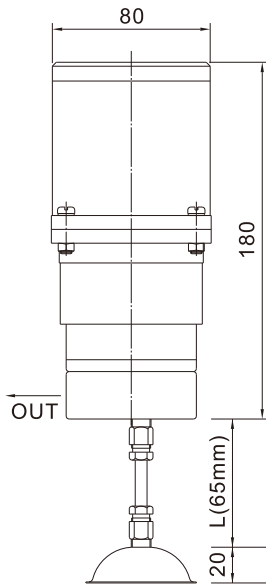


**◆ features:**

1. Electro-Magnetic pump has large discharge volume but compact size,.
2. Low cost of electricity
3. Easy operation and high practicality.
4. EL-1 type has fixed volume, while EL-2 type has adjustable volume.
5. Applicable for machines requiring long-time lubrication or cooling.
6. Applicable for small size machines such as lathes, milling machines, grinding machines, power press, etc.
7. Discharge volume varies in accordance with pipe length and oil viscosity.
8. Pumping pressure changes with temperature fluctuation. Temperature rises when pressure decreases.
9. The length of L can be customized. Standard length of PU tube is 300 mm.

Model	Motor	Max Volume	Operation Pressure	Voltage	Dis. Bore	Suction Pressure	Temperature Endurance	Function	Viscosity	N.W. (g)
EL-1	25W	300cc/min	0.8~1.2kgf/cm <sup>2</sup>	110V 220V	Ø4 x PT 1/8 Ø6 x PT 1/8	30cm Hg±5cm Hg	85°C	Volume Fixed	32-68cSt@40°C	400
EL-2								Volume Adjustable		450

# GA-25 Gear Pump



**◆ Features:**

1. Easy to operation.
2. Low cost, high practicality.
3. High quality of alloy steel that can maintain each lubrication point with oil.
4. The length can be customized. Standard length is steel tube 65 mm.

Model	Motor	Max Volume	Max Pressure	Voltage	Ampere	Herz	Dis. Bore	Viscosity	N.W. (kg)
GA-25 Resistance Type	25W	250 cc/min	12 kgf/cm <sup>2</sup>	1Ø110V 1Ø220V 3Ø220V	0.7A 0.2A 0.3A	50/60HZ	Ø4 or Ø6	32-68cSt@40°C	3