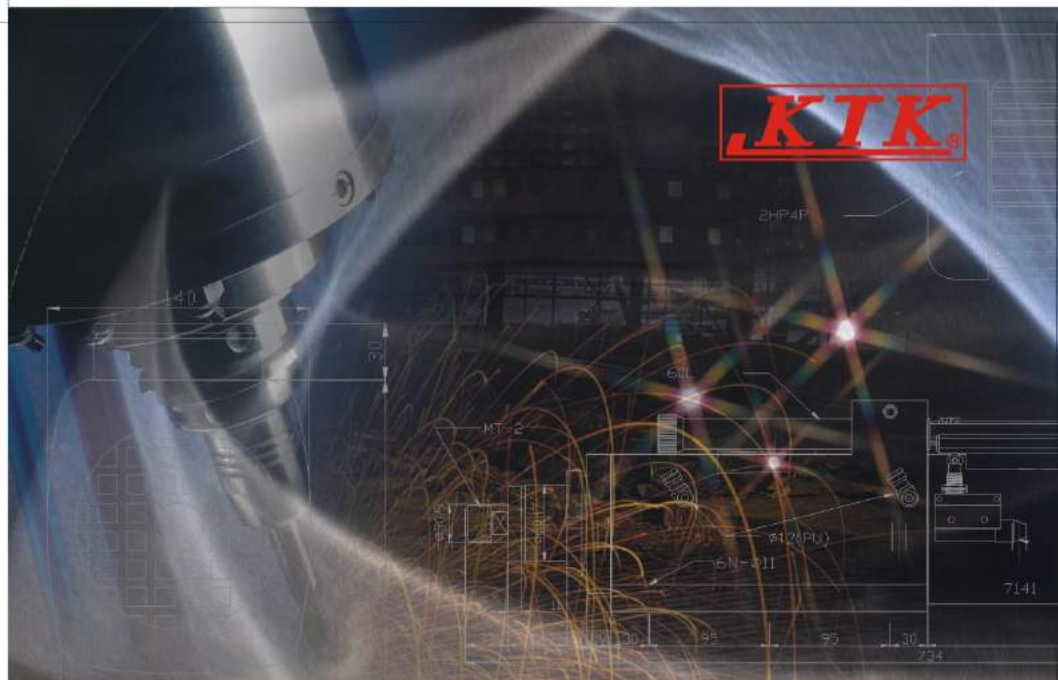
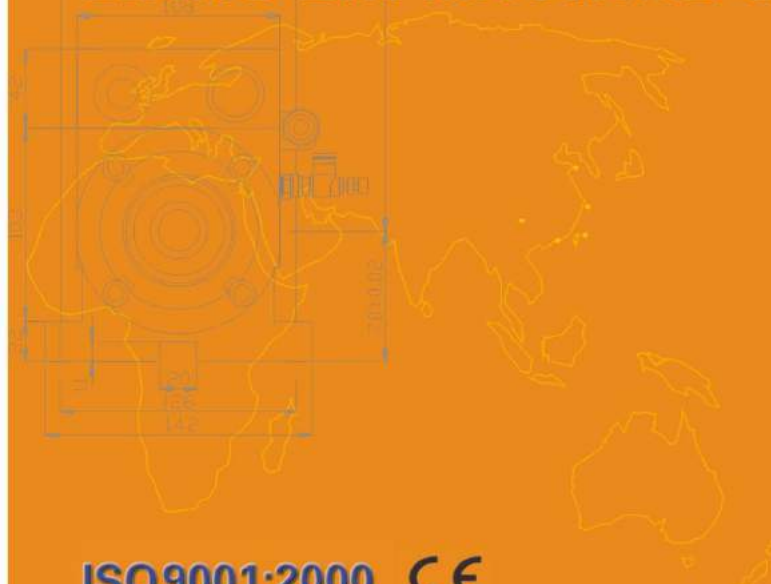


KTK



LIANG LIH MACHINE CO.,LTD.



ISO9001:2000 CE

KTK

Hydraulic Automatic Drilling Machine

H-9150 Max. Drilling Capacity: $\phi 35\text{mm}$

Specification	H-9150
Max. Drilling Capacity	$\phi 35\text{mm}$
Spindle Taper	MT4/NT40
Spindle Travel	150mm
Spindle Speed	3S 85-170-250(50Hz) 100-200-300(60Hz)
Variable Speed	420-1670(50Hz) 500-2000(60Hz)
Swing	$\phi 520\text{mm}$
Table Size	600*800mm
Column Diameter	$\phi 115\text{mm}$
Distance From Spindle To Table	350-700mm
Motor HP	3HP
Hydraulic Power Kg/cm ²	20Kg/cm ²
Overall Height	2100mm
Weight	700Kg



Hydraulic Automatic Drilling Machine

H-7150 Max. Drilling Capacity: $\phi 25\text{mm}$



Specification	H-7150
Max. Drilling Capacity	$\phi 25\text{mm}$
Spindle Taper	MT3/NT30
Spindle Travel	150mm
Spindle Speed	3S 420-830-1150(50Hz) 500-1400-1500(60Hz)
Swing	$\phi 460\text{mm}$
Table Size	600*800mm
Column Diameter	$\phi 102\text{mm}$
Distance From Spindle To Table	350-700mm
Motor HP	2HP
Hydraulic Power Kg/cm ²	20Kg/cm ²
Overall Height	2100mm
Weight	600Kg

Hydraulic Automatic Drilling Machine

KTK

H-6150 Max. Drilling Capacity: ϕ 16mm

Specification	H-6150
Max. Drilling Capacity	ϕ 16mm
Spindle Taper	MT2/ER25
Spindle Travel	150mm
Spindle Speed	3S <small>830, 1250, 1670(50Hz) 1000, 1500, 2000(60Hz)</small>
Swing	ϕ 460mm
Table Size	600*800mm
Column Diameter	ϕ 102mm
Distance From Spindle To Table	100-700mm
Motor HP	2HP
Hydraulic Power Kg/cm ²	20Kg/cm ²
Overall Height	1800mm
Weight	380Kg



Hydraulic Automatic Drilling Machine

H-5100 Max. Drilling Capacity: ϕ 10mm

Specification	H-5100
Max. Drilling Capacity	ϕ 10mm
Spindle Taper	JT6/ER20
Spindle Travel	100mm
Spindle Speed	3S <small>830, 1670, 2500(50Hz) 1000, 2000, 3000(60Hz)</small>
Swing	ϕ 360mm
Table Size	450*600mm
Column Diameter	ϕ 80mm
Distance From Spindle To Table	100-400mm
Motor HP	1HP
Hydraulic Power Kg/cm ²	20Kg/cm ²
Overall Height	1600mm
Weight	260Kg



2

Pneumatic Automatic Drilling Machine

KTK

P-6150 Max. Drilling Capacity: ϕ 16mm

Specification	P-6150
Max. Drilling Capacity	ϕ 16mm
Spindle Taper	MT2/ER25
Spindle Travel	150mm
Stabilizer Travel	50mm
Spindle Speed	<small>830, 1250, 1670(50Hz) 1000, 1500, 2000(60Hz)</small>
Number of Speed	3
Swing	ϕ 460mm
Table Size	600*800mm
Column Diameter	ϕ 102mm
Distance From Spindle To Table	100-700mm
Motor HP	2HP
Pneumatic Power kg/cm ²	5-7kg/cm ²
Overall Height	1800mm
Weight	350kg



Pneumatic Automatic Drilling Machine

P-5100 Max. Drilling Capacity: ϕ 10mm

Specification	P-5100
Max. Drilling Capacity	ϕ 10mm
Spindle Taper	JT6/ER20
Spindle Travel	100mm
Stabilizer Travel	50mm
Spindle Speed	<small>830, 1670, 2500(50Hz) 1000, 2000, 3000(60Hz)</small>
Number of Speed	3
Swing	ϕ 360mm
Table Size	450*600mm
Column Diameter	ϕ 80mm
Distance From Spindle To Table	100-400mm
Motor HP	1HP
Pneumatic Power kg/cm ²	5-7kg/cm ²
Overall Height	1600mm
Weight	230kg



3

Pneumatic Automatic Drilling Machine

KTK

P-5100A Max. Drilling Capacity: Φ 10mm

Specification	P-5100A
Max. Drilling Capacity	Φ 10mm
Spindle Taper	JT6/ER20
Spindle Travel	100mm
Stabilizer Travel	50mm
Spindle Speed	850, 1670, 3300 (50Hz) 1000, 2000, 3900 (60Hz)
Number of Speed	3
Swing	Φ 400mm
Column Diameter	Φ 80mm
Table Diameter	Φ 320mm
Base Size	300*510mm
Distance From Spindle To Table	400mm
Distance From Spindle To Base	600mm
Motor HP	1HP
Pneumatic Power kg/cm ²	5-7kg/cm ²
Overall Height	1350mm
Weight	100kg



Pneumatic Automatic Drilling Machine

KTK

P-360A Max. Drilling Capacity: Φ 6mm

Specification	P-360A
Max. Drilling Capacity	Φ 6mm
Spindle Taper	JT2/ER16
Spindle Travel	60mm
Stabilizer Travel	25mm
Spindle Speed	2500, 3400, 4200 (50Hz) 3000, 4000, 5000 (60Hz)
Number of Speed	3
Swing	Φ 360mm
Column Diameter	Φ 80mm
Table Diameter	Φ 320mm
Base Size	330*510mm
Distance From Spindle To Table	400mm
Distance From Spindle To Base	600mm
Motor HP	1/2HP
Pneumatic Power kg/cm ²	5-7kg/cm ²
Overall Height	1350mm
Weight	100kg



Pneumatic Automatic Drilling Machine

P-360 Max. Drilling Capacity: Φ 6mm

Specification	P-360
Max. Drilling Capacity	Φ 6mm
Spindle Taper	JT2/ER16
Spindle Travel	60mm
Stabilizer Travel	25mm
Spindle Speed	2500, 3400, 4200 (50Hz) 3000, 4000, 5000 (60Hz)
Number of Speed	3
Swing	Φ 360mm
Table Size	350*550mm
Column Diameter	Φ 80mm
Distance From Spindle To Table	100-400mm
Motor HP	1/2HP
Hydraulic Power kg/cm ²	5-7kg/cm ²
Overall Height	1600mm
Weight	210kg



High-Speed Manual Drilling Machine

M-360 Max. Drilling Capacity: Φ 6mm

Specification	M-360
Max. Drilling Capacity	Φ 6mm
Spindle Taper	JT1/ER16
Spindle Travel	60mm
Spindle Speed	5000, 6800, 8400 (50Hz) 6000, 8000, 10000 (60Hz)
Swing	Φ 310mm
Motor HP	1/2HP
Base Size	200*380mm
Overall Height	730mm
Weight	48kg



Air-hydraulic Peck Drilling Machine

KTK

PH-50-100 Max. Drilling Capacity: Φ 10mm

Specification	PH-50-100
Max. Drilling Capacity	Φ 10mm
Spindle Taper	JT6/ER20
Spindle Travel	100mm
Spindle Speed	830-1670, 2500(50Hz) 1000, 2000, 3000(60Hz)
Number of Speed	3
Swing	Φ 360mm
Table Size	450*600mm
Column Diameter	Φ 80mm
Distance From Spindle To Table	100-400mm
Motor HP	1HP
Pneumatic Power kg/cm ²	5-7kg/cm ²
Overall Height	1600mm
Weight	230kg



Lead-Screw Pitch Tapping Machine

KTK

T-140 Max. Tapping Capacity: M30

Specification	T-140
Max. Tapping Capacity	M30
Spindle Taper	MT4
Spindle Travel	140mm
Spindle Speed	3S 85-170, 250(50Hz) 100, 200, 300(60Hz)
Variable Speed	275-1110(50Hz) 330-1330(60Hz)
Swing	Φ 520mm
Table Size	600*800mm
Column Diameter	Φ 115mm
Distance From Spindle To Table	350-700mm
Motor HP	3HP
Overall Height	2100mm
Weight	700Kg



Hydraulic Peck Drilling Machine

H-60-150 Max. Drilling Capacity: Φ 16mm

Specification	H-60-150
Max. Drilling Capacity	Φ 16mm
Spindle Taper	MT2/ER25
Spindle Travel	150mm
Spindle Speed	830-1350, 1670, 2500(50Hz) 1000, 1500, 2000(60Hz)
Number of Speed	3
Swing	Φ 460mm
Table Size	600*800mm
Column Diameter	Φ 102mm
Distance From Spindle To Table	100-400mm
Motor HP	2HP
Hydraulic Power kg/cm ²	20kg/cm ²
Overall Height	1800mm
Weight	380kg



Lead-Screw Pitch Tapping Machine

T-120 Max. Tapping Capacity: M20

Specification	T-120
Max. Tapping Capacity	M20
Spindle Taper	MT3/NT30
Spindle Travel	120mm
Spindle Speed	3S 85-170, 250(50Hz) 100, 200, 300(60Hz)
Variable Speed	275-1110(50Hz) 330-1330(60Hz)
Swing	Φ 460mm
Table Size	600*800mm
Column Diameter	Φ 102mm
Distance From Spindle To Table	350-700mm
Motor HP	2HP
Overall Height	2100mm
Weight	600Kg



Gear Pitch Tapping Machine

KTK

T-80A Max. Tapping Capacity: M16

Specification	T-80A
Max. Tapping Capacity	M16
Spindle Taper	MT3
Spindle Travel	65mm
Spindle Speed	155 285 515(50Hz) 190 340 620(60Hz)
Swing	Φ460mm
Column Diameter	Φ102mm
Table Diameter	Φ420mm
Base Size	390*580mm
Distance From Spindle To Table	530mm
Distance From Spindle To Base	840mm
Motor HP	2HP
Overall Height	1500mm
Weight	370kg



Gear Pitch Tapping Machine

KTK

T-80 Max. Tapping Capacity: M16

Specification	T-80
Max. Tapping Capacity	M16
Spindle Taper	MT3
Spindle Travel	65mm
Spindle Speed	155 285 515(50Hz) 190 340 620(60Hz)
Swing	Φ460mm
UP-down Travel of the Head	180mm
Column Diameter	Φ85mm
Base Size	390*580mm
Distance From Spindle To Base	470mm
Motor HP	2HP
Overall Height	1130mm
Weight	320kg



Gear Pitch Tapping Machine

T-80B Max. Tapping Capacity: M16

Specification	T-80B
Max. Tapping Capacity	M16
Spindle Taper	MT3
Spindle Travel	65mm
Spindle Speed	155 285 515(50Hz) 190 340 620(60Hz)
Swing	Φ460mm
Column Diameter	Φ85mm
Table Size	600*800mm
UP-down Travel of the Head	180mm
Distance From Spindle To Table	470mm
Motor HP	2HP
Overall Height	1920mm
Weight	420kg



Gear Pitch Tapping Machine

T-50 Max. Tapping Capacity: M8

Specification	T-50
Max. Tapping Capacity	M8
Spindle Taper	JT2
Spindle Travel	45mm
Spindle Speed	420 760 1340(50Hz) 500 900 1600(60Hz)
Swing	Φ360mm
UP-down Travel of the Head	280mm
Column Diameter	Φ52mm
Table Diameter	340*500mm
Distance From Spindle To Base	380mm
Motor HP	1HP
Overall Height	930mm
Weight	120kg



Gear Pitch Tapping Machine

KTK

T-50A Max. Tapping Capacity: M8

Specification	T-50A
Max. Tapping Capacity	M8
Spindle Taper	JT2
Spindle Travel	45mm
Spindle Speed	420 760 1340(50Hz) 500 900 1600(60Hz)
Swing	Φ 360mm
Column Diameter	Φ 80mm
Table Diameter	Φ 320mm
Base Size	330*510mm
Distance From Spindle To Table	350mm
Distance From Spindle To Base	600mm
Motor HP	1HP
Overall Height	1100mm
Weight	160kg



Gear Pitch Tapping Machine

KTK

T-650 Max. Tapping Capacity: M20

Specification	T-650
Max. Tapping Capacity	M20
Spindle Taper	MT3
Spindle Travel	140mm
Spindle Speed	3S 85.170.250(50Hz) 100.200.300(60Hz)
Variable Speed	275-1110(50Hz) 330-1330(60Hz)
Swing	Φ 460mm
Base Size	410*600mm
Column Diameter	Φ 102mm
Table Diameter	Φ 420mm
Distance From Spindle To Table	630mm
Distance From Spindle To Base	930mm
Motor HP	2HP
Overall Height	1700mm
Weight	220Kg



Gear Pitch Tapping Machine

T-50B Max. Tapping Capacity: M8

Specification	T-50B
Max. Tapping Capacity	M8
Spindle Taper	JT2
Spindle Travel	45mm
Spindle Speed	420 760 1340(50Hz) 500 800 1600(60Hz)
Swing	Φ 360mm
UP-down Travel of the Head	280mm
Column Diameter	Φ 52mm
Table Size	650*800*760mm
Distance From Spindle To Table	380mm
Motor HP	1HP
Overall Height	1720mm
Weight	230kg



Gear Pitch Tapping Machine

T-360 Max. Tapping Capacity: M12

Specification	T-360
Max. Tapping Capacity	M12
Spindle Taper	MT2
Spindle Travel	100mm
Spindle Speed	3S 500.830.1250(50Hz) 600.1000.1500(60Hz)
Swing	Φ 360mm
Base Size	330*510mm
Column Diameter	Φ 80mm
Table Diameter	Φ 320mm
Distance From Spindle To Table	400mm
Distance From Spindle To Base	600mm
Motor HP	1HP
Overall Height	1150mm
Weight	120Kg



Radial Manual Feed Drilling Machine

KTK

RDP-20A Max. Drilling Capacity: Φ 13mm

Specification	RDP-20A
Max. Drilling Capacity	Φ 13mm
Spindle Taper	MT2
Spindle Travel	80mm
Spindle Speed	240-2840(50Hz) 290-3440(60Hz)
Number Of Speed	9
Swing	Φ 360mm
Column Diameter	Φ 80mm
Table Size	450*700mm
Distance From Spindle To Table	450mm
Distance From Spindle To Base	620mm
Motor HP	1HP
Overall Height	1500mm
Weight	100kg



Gear Transmission Auto-Feed Drilling Machine

KTK

LG-250 Max. Drilling Capacity: Φ 25mm

Specification	LG-250
Max. Drilling Capacity	Φ 25mm
Spindle Taper	MT3
Spindle Travel	140mm
Spindle Speed	255-2020(50Hz) 310-2450(60Hz)
Number Of Speed	6
Swing	Φ 460mm
Column Diameter	Φ 102mm
Table Diameter	Φ 420mm
Base Size	380*600mm
Distance From Spindle To Table	630mm
Distance From Spindle To Base	930mm
Motor HP	2HP
Overall Height	1600mm
Weight	220kg



Clutch Lining Manual Tapping Machine

T-40/30 Max. Tapping Capacity: M12/M6

Specification	T-40	T-30
Max. Tapping Capacity	M12	M6
Spindle Taper	JT6	JT2
Spindle Travel	40mm	30mm
Spindle Speed	290-500 625(50Hz) 350-550 750(60Hz)	710-1300(50Hz) 850-1560(60Hz)
Swing	Φ 360mm	Φ 260mm
Column Diameter	Φ 80mm	Φ 60mm
Table Diameter	Φ 320mm	Φ 250mm
Base Size	300*500mm	240*420mm
Distance From Spindle To Table	450mm	280mm
Distance From Spindle To Base	600mm	430mm
Motor HP	1HP	1/2HP
Overall Height	1200mm	950mm
Weight	100kg	48kg



Gear Transmission Auto-Feed Drilling Machine

LG-120 Max. Drilling Capacity: Φ 16mm

Specification	LG-120
Max. Drilling Capacity	Φ 16mm
Spindle Taper	MT2
Spindle Travel	100mm
Spindle Speed	470-1730(50Hz) 570-2100(60Hz)
Number Of Speed	4
Swing	Φ 360mm
Column Diameter	Φ 80mm
Table Diameter	Φ 320mm
Base Size	300*500mm
Distance From Spindle To Table	400mm
Distance From Spindle To Base	600mm
Motor HP	1HP
Overall Height	1050mm
Weight	100kg



Manual Feed Drilling Machine

KTK

LG-25A Max. Drilling Capacity: $\Phi 25\text{mm}$

Specification	LG-25A
Max. Drilling Capacity	$\Phi 25\text{mm}$
Spindle Taper	MT3
Spindle Travel	140mm
Spindle Speed	230-1910(50Hz) 270-2290(60Hz)
Number Of Speed	9
Swing	$\Phi 460\text{mm}$
Column Diameter	$\Phi 102\text{mm}$
Table Diameter	$\Phi 420\text{mm}$
Base Size	380*600mm
Distance From Spindle To Table	630mm
Distance From Spindle To Base	930mm
Motor HP	2HP
Overall Height	1540mm
Weight	190kg



Manual Feed Drilling Machine

KTK

LG-16A Max. Drilling Capacity: $\Phi 16\text{mm}$

Specification	LG-16A
Max. Drilling Capacity	$\Phi 16\text{mm}$
Spindle Taper	MT2
Spindle Travel	100mm
Spindle Speed	240-2440(50Hz) 290-3440(60Hz)
Number Of Speed	9
Swing	$\Phi 360\text{mm}$
Column Diameter	$\Phi 80\text{mm}$
Table Diameter	$\Phi 320\text{mm}$
Base Size	300*500mm
Distance From Spindle To Table	450mm
Distance From Spindle To Base	620mm
Motor HP	1HP
Overall Height	1070mm
Weight	90kg



Manual Feed Drilling Machine

LG-25B Max. Drilling Capacity: $\Phi 20\text{mm}$

Specification	LG-25B
Max. Drilling Capacity	$\Phi 20\text{mm}$
Spindle Taper	MT3
Spindle Travel	120mm
Spindle Speed	230-1910(50Hz) 270-2290(60Hz)
Number Of Speed	9
Swing	$\Phi 460\text{mm}$
Column Diameter	$\Phi 92\text{mm}$
Table Diameter	$\Phi 400\text{mm}$
Base Size	335*580mm
Distance From Spindle To Table	720mm
Distance From Spindle To Base	920mm
Motor HP	2HP
Overall Height	1500mm
Weight	140kg



Manual Feed Drilling Machine

LG-13 Max. Drilling Capacity: $\Phi 13\text{mm}$

Specification	LG-13
Max. Drilling Capacity	$\Phi 13\text{mm}$
Spindle Taper	JT6
Spindle Travel	80mm
Spindle Speed	520-2230(50Hz) 630-2700(60Hz)
Number Of Speed	4
Swing	$\Phi 360\text{mm}$
Column Diameter	$\Phi 80\text{mm}$
Table Diameter	$\Phi 320\text{mm}$
Base Size	300*500mm
Distance From Spindle To Table	450mm
Distance From Spindle To Base	620mm
Motor HP	1/2HP
Overall Height	1070mm
Weight	75kg



Manual Feed Electrical Drilling and Tapping Machine

KTK

LGT-550A Max. Tapping Capacity **M20**
Max. Drilling Capacity **Φ25mm**

Specification	LGT-550A
Max. Drilling Capacity	Φ25mm
Max. Tapping Capacity	M20
Spindle Taper	MT3
Spindle Travel	140mm
Spindle Speed	150-1270 (50Hz) 180-1530 (60Hz)
Number Of Speed	9
Swing	Φ460mm
Column Diameter	Φ102mm
Table Diameter	Φ420mm
Base Size	380*600mm
Distance From Spindle To Table	630mm
Distance From Spindle To Base	930mm
Motor HP	2HP
Overall Height	1540mm
Weight	190kg



Manual Feed Electrical Drilling and Tapping Machine

KTK

LGT-340A Max. Tapping Capacity: **M12**
Max. Drilling Capacity: **Φ16mm**

Specification	LGT-340A
Max. Drilling Capacity	Φ16mm
Max. Tapping Capacity	M12
Spindle Taper	MT2
Spindle Travel	100mm
Spindle Speed	170-1990 (50Hz) 200-2400 (60Hz)
Number Of Speed	9
Swing	Φ360mm
Column Diameter	Φ80mm
Table Diameter	Φ360mm
Base Size	300*500mm
Distance From Spindle To Table	450mm
Distance From Spindle To Base	620mm
Motor HP	1HP
Overall Height	1070mm
Weight	90kg



Manual Feed Electrical Drilling and Tapping Machine

LGT-550B Max. Tapping Capacity **M18**
Max. Drilling Capacity **Φ20mm**

Specification	LGT-550B
Max. Drilling Capacity	Φ20mm
Max. Tapping Capacity	M18
Spindle Taper	MT3
Spindle Travel	120mm
Spindle Speed	220-1670 (50Hz) 270-2000 (60Hz)
Number Of Speed	9
Swing	Φ460mm
Column Diameter	Φ92mm
Table Diameter	Φ400mm
Base Size	335*580mm
Distance From Spindle To Table	720mm
Distance From Spindle To Base	920mm
Motor HP	2HP
Overall Height	1500mm
Weight	140kg



Manual Feed Electrical Drilling and Tapping Machine

LGT-340B Max. Tapping Capacity: **M10**
Max. Drilling Capacity: **Φ13mm**

Specification	LGT-340B
Max. Drilling Capacity	Φ13mm
Max. Tapping Capacity	M10
Spindle Taper	JT6
Spindle Travel	80mm
Spindle Speed	360-1560 (50Hz) 440-1890 (60Hz)
Number Of Speed	4
Swing	Φ360mm
Column Diameter	Φ80mm
Table Diameter	Φ360mm
Base Size	300*500mm
Distance From Spindle To Table	450mm
Distance From Spindle To Base	620mm
Motor HP	1/2HP
Overall Height	1070mm
Weight	75kg



KTK

Automatic Feeding Drilling Machine

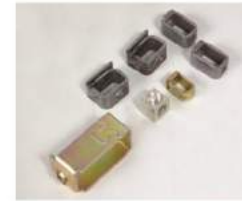


Automatic Feeding Tapping Machine



KTK

Automatic Feeding Angularity Tapping Machine



Hydraulic Peck Drill with Servo Index Drilling Machine



KTK

Hydraulic Multi-spindle Drilling Machine



Multi-spindle Gang Drilling & Tapping Machine

KTK



Multi-spindle Gear Pitch Tapping Machine



Lead-screw Pitch with Oscillating Drive plate Tapping Machine



Auto Milling Machine



KTK

2 Spindle boring Machine



KTK



Turret Drilling & Tapping center

2-Station Multi-spindle Drilling Machine



3-Station Multi-Spindle Drilling Machine

KTK



Slotting Machine

KTK



2-Station Drilling & Tapping Machine



Slide Drilling Machine for "H" Steel



Upside-Down Gun Drilling Machine

KTK



2-Station Gun Drilling Machine



6-Index Slotting Machine

KTK



Hydraulic Upright 2-Index Drilling Machine



**Rotary Type Drilling, Reaming
and Chamfering Machine**

KTK



**CNC Milling & Centering
Machine**

KTK



Hydraulic 4-Index Boring Machine



**Hydraulic 6-Index
Drilling, Boring, Tapping Machine**



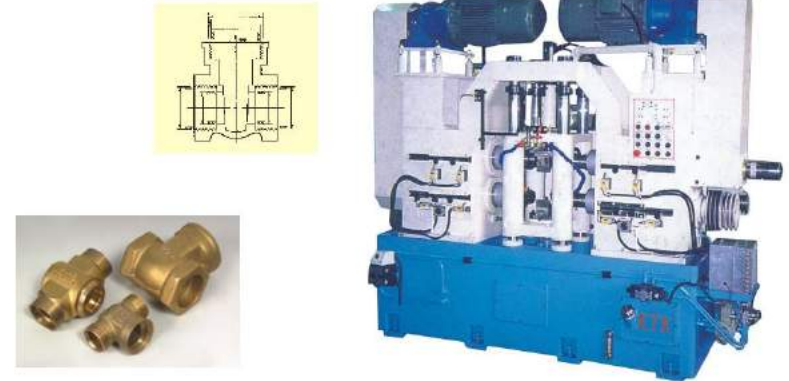
Hydraulic Upright 12-Index Drilling & Tapping Machine

KTK



Hydraulic 3-Station Boring & Tapping Machine

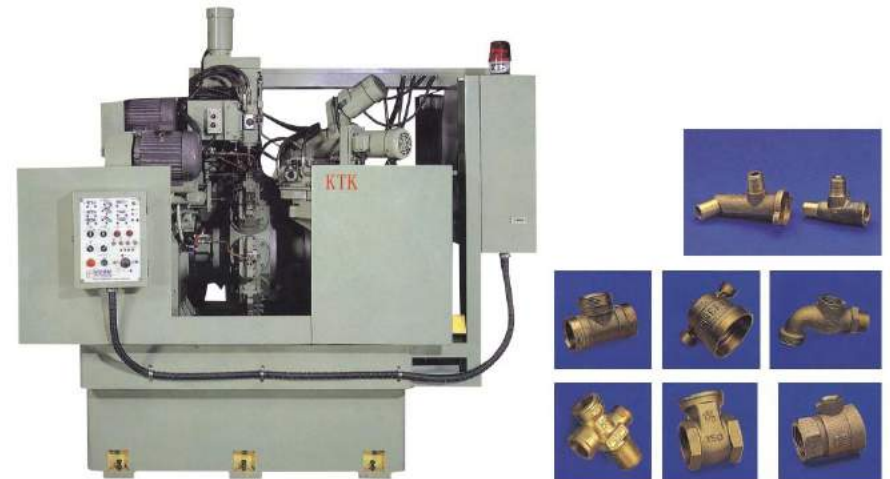
KTK



Hydraulic 2-Station Angularity Drilling & Milling Machine



Vertical Drum Hydraulic 9-Station Special Purpose Machine



Hydraulic Upright 4-Index Valve Finished Machine

KTK



Hydraulic Upright 8-Index Valve Finished Machine



32

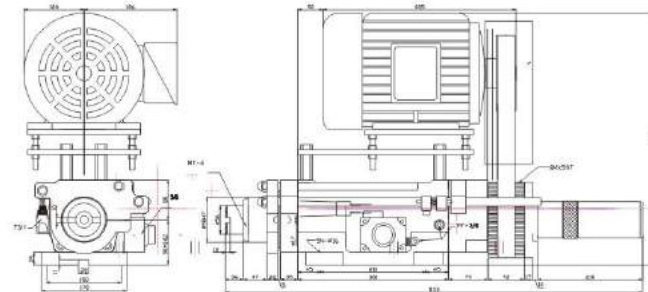
Hydraulic Drilling Head

KTK



H-9150H Max. Drilling Capacity: $\Phi 35\text{mm}$

Specification	H-9150H
Max. Drilling Capacity	$\Phi 35\text{mm}$
Spindle Travel	150mm
Spindle Speed	Optional
Motor HP	3HP
Hydraulic Power Kg/cm ²	20Kg/cm ²

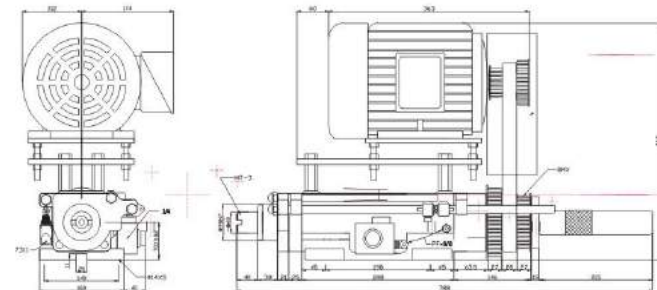


Hydraulic Drilling Head

H-7150H Max. Drilling Capacity: $\Phi 25\text{mm}$



Specification	H-7150H
Max. Drilling Capacity	$\Phi 25\text{mm}$
Spindle Travel	150mm
Spindle Speed	Optional
Motor HP	2HP
Hydraulic Power Kg/cm ²	20Kg/cm ²



33

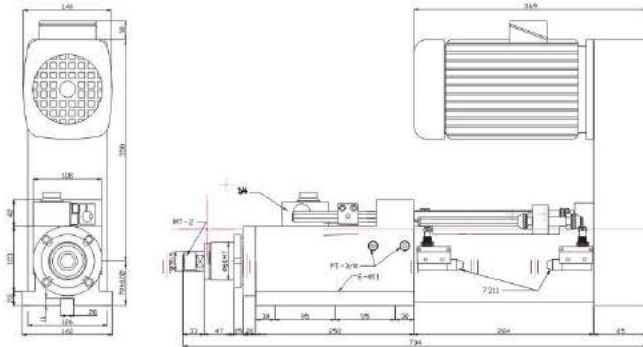
Hydraulic Drilling Head

KTK



H-6150H Max. Drilling Capacity: $\Phi 16\text{mm}$

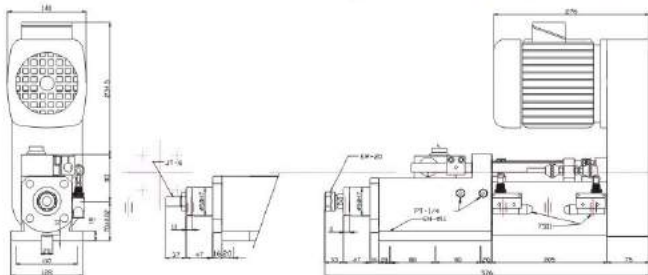
Specification	H-6150H
Max. Drilling Capacity	$\Phi 16\text{mm}$
Spindle Travel	150mm
Spindle Speed	830, 1250, 1670(50Hz) 1000, 1500, 2000(60Hz)
Motor HP	2HP
Hydraulic Power Kg/cm ²	20Kg/cm ²



Hydraulic Drilling Head

H-5100H Max. Drilling Capacity: $\Phi 10\text{mm}$

Specification	H-5100H
Max. Drilling Capacity	$\Phi 10\text{mm}$
Spindle Travel	100mm
Spindle Speed	830, 1670, 2500(50Hz) 1000, 2000, 3000(60Hz)
Motor HP	1HP
Hydraulic Power Kg/cm ²	20Kg/cm ²



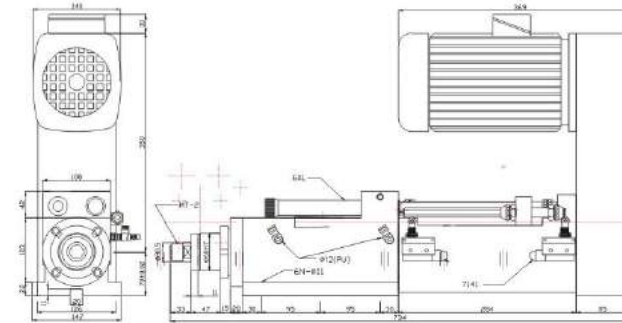
Pneumatic Drilling Head

KTK



P-6150H Max. Drilling Capacity: $\Phi 16\text{mm}$

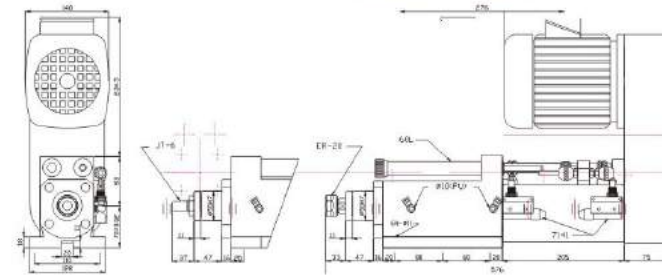
Specification	P-6150H
Max. Drilling Capacity	$\Phi 16\text{mm}$
Spindle Travel	150mm
Stabilizer Travel	50mm
Spindle Speed	830, 1250, 1670(50Hz) 1000, 1500, 2000(60Hz)
Motor HP	2HP
Pneumatic Power Kg/cm ²	5-7Kg/cm ²



Pneumatic Drilling Head

P-5100H Max. Drilling Capacity: $\Phi 10\text{mm}$

Specification	P-5100H
Max. Drilling Capacity	$\Phi 10\text{mm}$
Spindle Travel	100mm
Stabilizer Travel	50mm
Spindle Speed	830, 1670, 2500(50Hz) 1000, 2000, 3000(60Hz)
Motor HP	1HP
Pneumatic Power Kg/cm ²	5-7Kg/cm ²



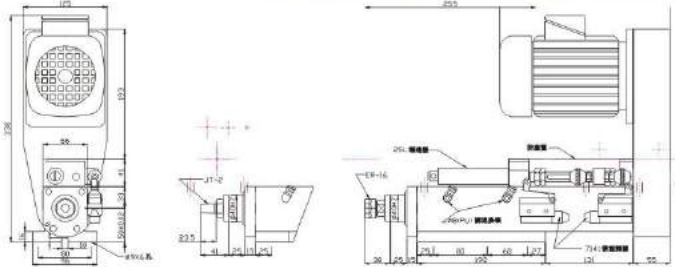
Pneumatic Drilling Head

KTK

P-360H Max. Drilling Capacity: $\Phi 6\text{mm}$



Specification	P-360H
Max. Drilling Capacity	$\Phi 6\text{mm}$
Spindle Travel	60mm
Stabilizer Travel	25mm
Spindle Speed	2P: 2000, 3600, 5140 (50Hz) 4000, 3600, 1900 (60Hz) 4P: 2200, 3140, 4170 (50Hz) 3000, 4000, 5000 (60Hz)
Motor HP	1/2HP
Pneumatic Power Kg/cm ²	5-7Kg/cm ²



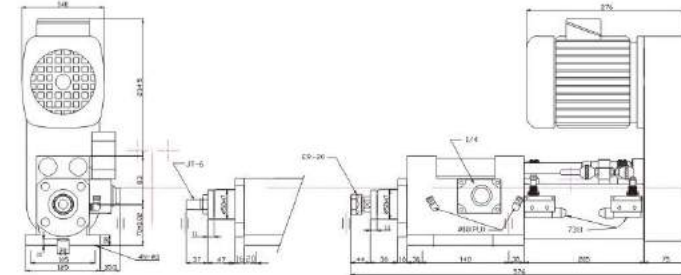
Air-Hydraulic Peck Drilling Head

KTK

PH-50-100H Max. Drilling Capacity: $\Phi 10\text{mm}$



Specification	PH-50-100H
Max. Drilling Capacity	$\Phi 10\text{mm}$
Spindle Travel	100mm
Spindle Speed	830, 1670, 2500 (50Hz) 1000, 2000, 3000 (60Hz)
Motor HP	1HP
Pneumatic Power Kg/cm ²	5-7Kg/cm ²

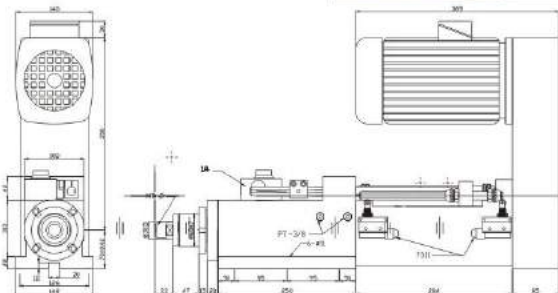


Hydraulic Peck Drilling Head

H-60-150H Max. Drilling Capacity: $\Phi 16\text{mm}$



Specification	H-60-150H
Max. Drilling Capacity	$\Phi 16\text{mm}$
Spindle Travel	150mm
Spindle Speed	830, 1250, 1670 (50Hz) 1000, 1500, 2000 (60Hz)
Motor HP	2HP
Hydraulic Power Kg/cm ²	20Kg/cm ²

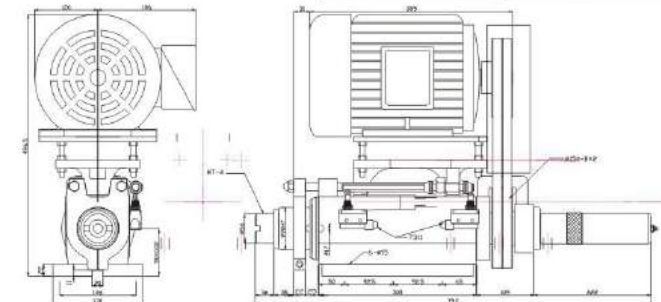


Lead-Screw Pitch Tapping Head

T-140H Max. Tapping Capacity: M30



Specification	T-140H
Max. Tapping Capacity	M30
Spindle Travel	140mm
Spindle Speed	Optional
Spindle Transmission	Lead screw
Motor HP	3HP



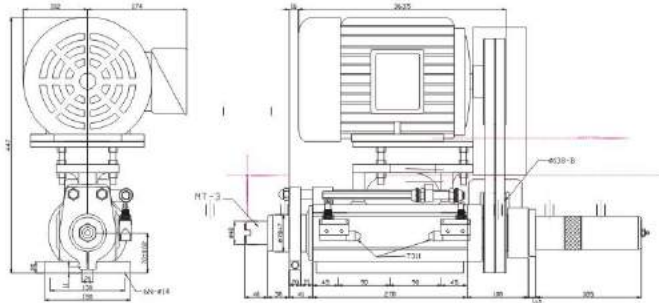
Lead-Screw Pitch Tapping Head

KTK

T-120H Max. Tapping Capacity: M20



Specification	T-120H
Max. Tapping Capacity	M20
Spindle Travel	120mm
Spindle Speed	Optional
Spindle Transmission	Lead screw
Motor HP	2HP

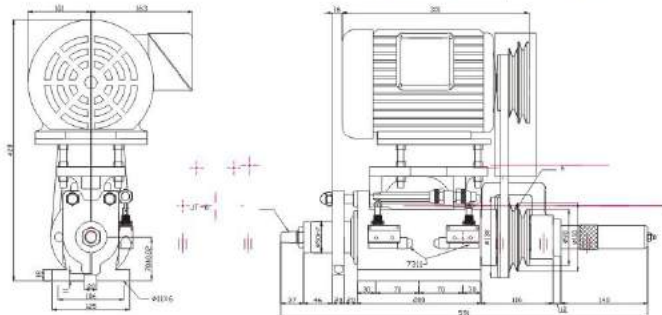


Lead-Screw Pitch Tapping Head

T-100H Max. Tapping Capacity: M10



Specification	T-100H
Max. Tapping Capacity	M10
Spindle Travel	100mm
Spindle Speed	500,830,1250(50Hz) 600,1000,1500(60Hz)
Spindle Transmission	Lead Screw
Motor HP	1HP



Multi-Spindle Drilling and Tapping Head

KTK

Adjustable Type

T-108 T-76 T-121



type	collet	Ratio of Gear	Maximum Drilling capacity	Min distance between 2 spindle	Max distance between 2 spindle	spindle
T-76	C-5	1:1	5.0	12	76	2
T-108	C-6	1:1 1:2	6.0	18	108	2
T-121	C-9	1:1	8.0	24	121	2
T-121	C-12	1:1	11.0	26	121	2

A-116 A-124



type	collet	Ratio of Gear	Maximum Drilling capacity	Min distance between 2 spindle	Max distance between 2 spindle	spindle
A-116	C-6	1:2 1:1.35 1:1	6.0	18	100	2-4
A-124	C-9	1:1.3 1:1	8.0	26	124	2-4
A-124	C-12	1:1.3 1:1	11.0	28	124	2-4

D-176 D-183
D-252 D-410



type	collet	Ratio of Gear	Maximum Drilling capacity	Min distance between 2 spindle	Max distance between 2 spindle	spindle
D-170	JT1 JT2	1:1.69	6.0	38	170	2
D-176	JT2 JT6	1:1.35	9.0 12	38 46	176	2
D-183	C-12 JT6	1:1	12	55	183	2
D-252	JT6	1:2.5	12	96	252	2
D-410	C-9 JT2	1:1	8 12	255	410	2

Multi-Spindle Drilling and Tapping Head

KTK

Adjustable Type

KTK



D-192 D-198
D-240 D-270
D-287 D-315
D-262 D-306

Adjustable Type

type	collet	Ratio of Gear	Maximum Drilling capacity	Min distance between 2 spindle	Max distance between 2 spindle	spindle
D-192	JT1 JT2 C-9	1:3	6.0 9.0	37	177	2-4
D-198	JT6 JT2 C-9 C-12	1:2.9	9.0 12	55	198	2-4
D-240	JT6 C-12	1:3.2	12	45	240	2-4
D-262	C-9 JT2	1:1	6.0 9.5	45	262	2-4
D-270	JT1 JT2	1:3.75	9.5	45	270	2-4
D-287	JT2 JT1	1:5	6.0	37 45	287	2-4
D-306	C-12 JT6	1:1	12	55	310	2-4
D-315	JT6	1:3.2	12	55	315	2-4

U-100*165 U-120*200
U-120*300 U-160*450
U-170*300 U-220*360
U-270*300 U-270*450



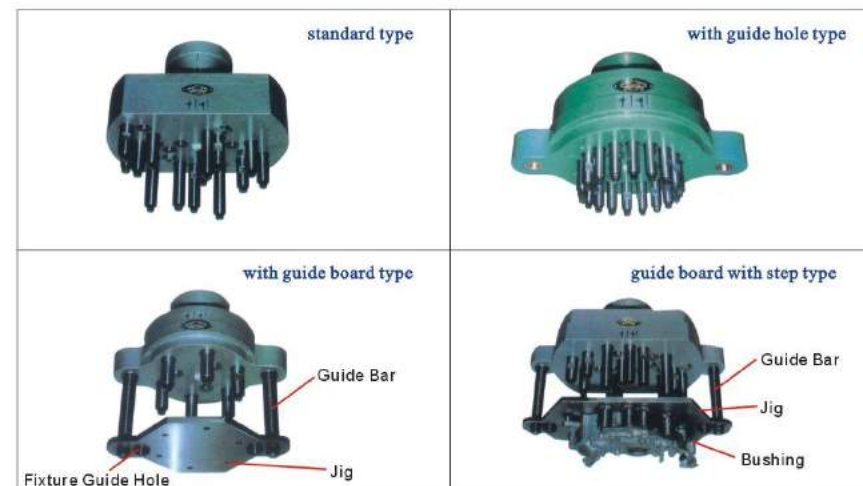
type	collet	Ratio of Gear	Maximum Drilling capacity	Min distance between 2 spindle	Max distance between 2 spindle	spindle
U-100*165	C-5	1:1	5	13	100*165	3-8
	C-6	1:1	6	18		
	C-9	1:1	8	26		
U-120*200	C-6	1:1	6	18	120*200	4-12
	C-9	1:1	8	26		
	C-12	1:1	11	28		
U-120*300	C-6	1:1	6	18	120*300	4-14
	C-9	1:1	8	26		
	C-12	1:1	11	28		
U-160*450	C-6	1:1	6	18	160*450	6-14
	C-9	1:1	8	30		
	C-12	1:1	11	30		
U-170*300	C-6	1:1	6	18	170*300	6-14
	C-9	1:1	8	30		
	C-12	1:1	11	46		
U-220*360	C-6	1:1	6	18	220*360	6-14
	C-9	1:1	8	30		
	C-12	1:1	11	30		
U-270*300	C-6	1:1	6	18	270*300	6-14
	C-9	1:1	8	30		
	C-12	1:1	11	30		
U-270*450	C-6	1:1	6	18	270*450	6-14
	C-9	1:1	8	30		
	C-12	1:1	11	30		

U-110 U-165
U-200 U-250
U-300



type	collet	Ratio of Gear	Maximum Drilling capacity	Min distance between 2 spindle	Max distance between 2 spindle	spindle
U-110	C-5	1:1	5.0	13	110	2-6
	C-6	1:1	6.0	18		
	C-9	1:1	8.0	26		
U-165	C-6	1:1	6.0	18	165	2-10
	C-9	1:1	8.0	26		
	C-12	1:1	11	28		
U-200	C-6	1:1	6.0	18	200	4-12
	C-9	1:1	8.0	30		
	C-12	1:1	11	30		
U-250	C-6	1:1	6.0	18	250	4-12
	C-9	1:1	8.0	30		
	C-12	1:1	11	30		
U-300	C-6	1:1	6.0	18	300	4-14
	C-9	1:1	8.0	30		
	C-12	1:1	11	30		

Fixed Type





Tapping Chuck

Standard Type



size	Tapping Capacity
ST-MT1	M3-M8(U1/4-U5/16)
ST-MT2	M3-M14(U1/4-U7/16)
ST-MT3	M8-M22(U3/8-U7/8)
ST-MT4	M16-M38(U5/8-U13/8)

Radial Parallel Float Type



size	Tapping Capacity	Float range
FT-MT1	M3-M8(U1/4-U5/16)	0.25mm
FT-MT2	M3-M14(U1/4-U7/16)	0.5mm
FT-MT3	M8-M22(U3/8-U7/8)	1mm
FT-MT4	M16-M38(U5/8-U13/8)	1.5mm

Length Compensation Type



size	Tapping Capacity	Compensation
LT-MT1	M3-M8(U1/4-U5/16)	15mm 15mm
LT-MT2	M3-M14(U1/4-U7/16)	20mm 20mm
LT-MT3	M8-M22(U3/8-U7/8)	20mm 20mm
LT-MT4	M16-M38(U5/8-U13/8)	20mm 20mm

Radial Parallel Float With Length Compensation Type



size	Tapping Capacity	float	Compensation
FLT-MT1	M3-M8(U1/4-U5/16)	0.25mm	20mm 15mm
FLT-MT2	M3-M14(U1/4-U7/16)	0.5mm	20mm 20mm
FLT-MT3	M8-M22(U3/8-U7/8)	1mm	20mm 20mm
FLT-MT4	M16-M38(U5/8-U13/8)	1.5mm	20mm 20mm

Tapping Adapter
standard



size	Tapping Capacity
TC-0	M3-M8(U1/4-U5/16)
TC-1	M3-M14(U1/4-U7/16)
TC-2	M8-M22(U3/8-U7/8)
TC-3	M16-M38(U5/8-U13/8)

Tapping Adapter
with safety clutch



size	Tapping Capacity
TCS-0	M3-M8(U1/4-U5/16)
TCS-1	M3-M14(U1/4-U7/16)
TCS-2	M8-M22(U3/8-U7/8)
TCS-3	M16-M38(U5/8-U13/8)

