



搪孔組合系統

組合式搪孔刀-兩個相隔90°有斜面的鎖緊螺絲，結合搪孔刀柄使徑向與軸向和帶動稍緊密著，產生最大的剛性。

彈性的搪孔刀組合，對應各種加工孔徑的大小及加工孔徑的深度，組合搪孔刀柄、延長接桿、縮徑接桿、結合粗搪孔刀、精搪孔刀而彈性變化。

我們依據組合刀柄外徑為系統代表稱H25，H為系統代表，25為組合刀柄外徑尺寸值，目前有H25、H32、H40、H50、H63、H100系統。

B72大孔徑組合系統

彈性的搪孔刀組合，對應各種較大的加工孔徑及加工孔徑的深度，組合搪孔刀柄、變徑滑座、結合粗搪孔刀、精搪孔刀而彈性變化。

Modular Boring System

Taper shank, stepped spacer, extension spacer and the body have two screw holes at a 90 degrees distance on the sides. Except taper shank, the stepped spacer, extension spacer and the body have a pin. A hole can also be found at the bottom of taper shank, stepped spacer and extension spacer. With these features of two screw holes, a pin and a bottom hole, the combination of taper shank with any of the stepped spacer, extension spacer and body, makes a tight lock in the system as it makes a strong interaction; thus, showing a more rigid feature of our modular boring system.

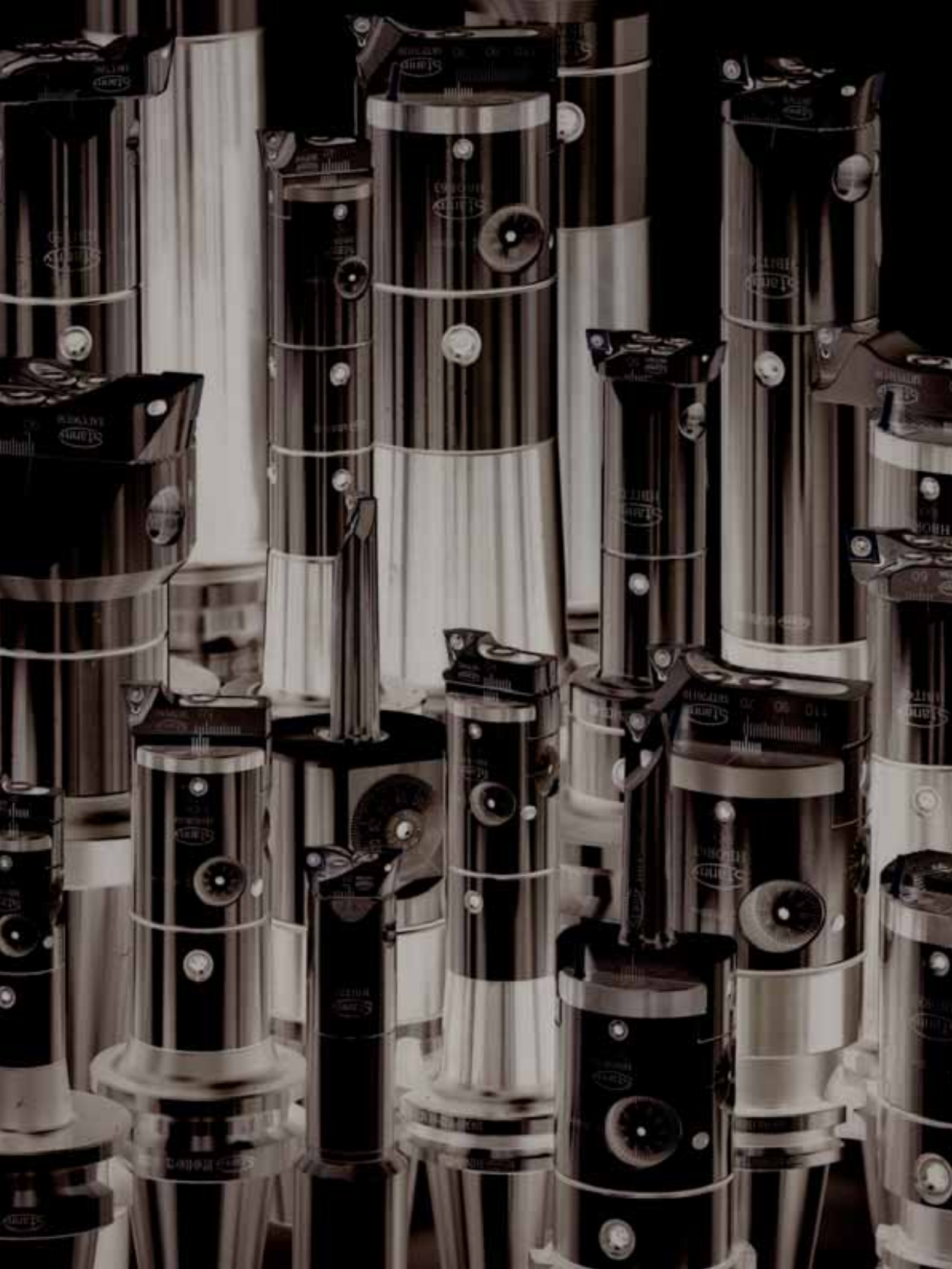
Besides being rigid, the modular boring system is also very flexible. Its flexibility allows the system to easily adapt to process various sizes and depth of the hole of the diameter.

In naming the outer diameter of the taper shank, extension spacer, stepped spacer and boring head, we used the symbol "H" followed by a number, which represents the size of the outer diameter. For instance, H25, wherein in "H" is the symbol while 25 is the value of the outer diameter. Hence, in this series, there are H25, H32, H40, H50, H63 and H100 system.

B72 Large Diameter Modular Boring System

Large diameter modular boring system is also very flexible. Its flexibility allows the system to easily adapt to process various more big sizes and depth of the hole of the diameter.







H•BIT 雙刃粗搪孔刀組合系統

功能

粗搪孔刀組合系統，由粗搪孔刀本體組合不同的粗搪孔刀座－各種不同形式的搪孔切削。

- 單刃－搪孔，校正調整單刃(SACC或SBCC)粗搪孔刀座，切削孔徑尺寸－單刃精搪孔。
- 單刃－反搪，校正調整單刃(RKCC)粗搪孔刀座，切削反搪孔孔徑。
- 單刃－45°倒角，校正調整單刃(IWSC)粗搪孔刀座，切削孔徑正反倒角。
- 雙刃－粗搪，校正調整雙刃(SACC +SACC)或(SBCC+SBCC)等高粗搪刀座，切削相同直徑，可快速進給粗搪孔。
- 雙刃－段差粗搪，校正調整雙刃(SACC+SBCC)不等高粗搪刀座，分別切削不同直徑，為較大量切削，分割兩段切削，較容易排屑，為粗搪深孔切削。
- 雙刃－80°粗搪，校正調整雙刃(EMSC)粗搪孔刀座，切削相同直徑。大量切削，降低切削阻力，用於貫穿孔切削。

粗搪孔刀調整粗搪孔刀座尺寸：調整螺絲每迴轉一圈，促使粗搪孔刀座位移尺寸1mm，等同於外部尺寸刻劃線一格，為實際搪孔直徑 ϕ 2mm。

H•BIT Adjustable Twin Cutter Roughing and Semi-Finishing Boring System. Function

Adjustable twin cutter roughing and semi-finishing boring system can have the following functions:

- a. We can use either SACC or SBCC cutting insert holder.
- b. We can use RKCC cutting insert holder for reverse cutting.
- c. We can use IWSC cutting insert holder for positive and negative 45° chamfer cutting.
- d. We can use two SACC (SACC +SACC) or two SBCC (SBCC + SBCC) cutting insert holders.
Note: Using the same cutting diameters can speed up the feeding of roughing boring & cutting.
- e. We can use two different insert holders SACC + SBCC
Note: Using different height and different cutting diameters is easier for chip removal.
- f. We can use two EMSC (EMSC + EMSC) 80° cutting insert holders, cutting same diameter.
Note: A lot of cutting lower cutting resistance, used for cutting through the hole.

In adjusting the roughing and semi-finishing system, when you rotate the bolt one complete turn, at the side there is a scale or graduation wherein one graduation is equal to 1mm travel, thus, the total boring diameter is ϕ 2mm.





H•BIT 雙刃粗搪孔刀

特色

雙刃粗搪孔刀，具有齒形組合搪孔刀，極為穩定牢固，在齒形方向調整粗搪孔刀座尺寸，可以使粗搪孔刀座往外前進，也可以使粗搪孔刀座向內後退，自由的前進後退，在刀具設定儀上校正調整粗搪孔刀座切削孔徑尺寸，配合鎖緊刀座螺絲，很容易完成粗搪孔刀座尺寸的調整，結合於搪孔刀柄，極為穩定牢固的粗搪孔刀。

H•BIT Adjustable Twin Cutter Roughing and Semi-Finishing Boring System.

Feature

With the "gear-mat type" feature of adjustable twin-cutter roughing and semi-finishing boring system, it allows the system to move forward and backward freely. This is best for adjusting the diameter in the tool preset as it is easier to set in a shorter time.



H•BIT 雙刃粗搪孔刀

零件

- A. 鎖緊刀座螺絲、彈性墊片
- B. 粗搪孔刀座、鎖緊刀片螺絲
- C. 調整螺帽、雙向螺絲
- D. 粗搪孔刀本體、中心冷卻劑出口
- E. 搪孔刀柄

H•BIT Adjustable Twin Cutter Roughing and Semi-Finishing Boring System.

Components

- A. Cutting Insert Holder Mounting Bolt and Spring Washer
- B. Cutting Insert Holder and Insert Clamping Bolt
- C. Adjusting Nut and Setting Bolt
- D. Body and Coolant Outlet
- E. Taper Shank



Stanny®

H•BOR 極細微調精搪孔刀

功能

極細微調精搪孔刀，組合精搪孔刀座，可先對照尺寸刻劃線位移精搪孔刀座至搪孔孔徑尺寸，鎖緊。

微調尺寸刻劃環，每一格 $\phi 0.002\text{mm}$ 極為精細的尺寸分割，配合切削材質適用的精密級刀片與預設平衡的迴轉切削，使精搪孔孔徑更為精確。

參考刻劃環，每一格 $\phi 0.10\text{mm}$ 為目視參考，當轉動微調尺寸刻劃環分割尺寸極細時，相對帶動參考刻劃環，而位移精搪孔刀徑尺寸。

齒型滑座外部刻劃線，每一格 $\phi 2\text{mm}$ 。

在H•BOR25P極細微調精搪孔本體中的內孔 $\phi 6$ ，組合CA系列小徑鎢鋼刀桿，使搪孔孔徑範圍為 $\phi 2\sim\phi 7$ 。

在H•BOR32P和H•BOR40P極細微調精搪孔本體中的內孔 $\phi 8$ ，組合CA系列小徑鎢鋼刀桿，使搪孔孔徑範圍為 $\phi 2\sim\phi 9$ 。

高速切削搪孔平衡系統—H•BOR50P和H•BOR63P—組合搪孔刀柄與極細微調精搪孔本體，在動平衡G2.5，轉速12000rpm。如BT40+H•BOR63P組合鎢鋼刀桿，並組裝MR(正搪)或MK(反搪)搪孔刀座，搪孔徑範圍為 $\phi 11\sim\phi 32$ ，使搪孔深度增加，在高速旋轉搪孔，依然保持動平衡。

在H•BOR50和H•BOR63極細微調精搪孔本體中的內孔 $\phi 16$ ，組合BR系列小徑精搪孔刀桿，使搪孔孔徑範圍為 $\phi 6\sim\phi 90$ 、 $\phi 6\sim\phi 150$ ，更為完整搪孔範圍組合。

在搪外徑系統，主要利用H•BOR63極細微調精搪孔本體，組合BM16D滑座，並組合各種SRTP(精搪)刀座，“反轉”切削搪外徑，範圍為 $0\sim\phi 100$ 。

極細微調反搪精搪孔刀，視切削孔徑大小、深淺組合，以反向進給做搪孔或切削背部端面。

H•BOR Micro-Finishing Cutter Fine Boring System.

Function

The boring head consists of a boring dial adjuster and a reference dial, wherein each scale of the boring dial adjuster is equivalent to $2\mu\text{m}$ or 0.002mm . Each marking scale of the reference dial is equal to $\phi 100\mu\text{m}$ or 0.10mm .

High speed cutting boring system, H•BOR50P and H•BOR63P it has dynamic balance in G2.5 12000rpm.

For example, BT40+H•BOR63P with carbide cutting bar and MR or MK cutting insert holder, the range of $\phi 11\sim\phi 32$. It will increase boring dimension and in high speed cutting it still have dynamic balance.

The inside diameter of H•BOR25P micro-finishing cutter fine boring system is $\phi 6\text{mm}$. With the combination of CA series, the diameter of H•BOR25P can now be within the range of $\phi 2\sim\phi 7$.

The inside diameter of H•BOR32P and H•BOR40P micro-finishing cutter fine boring system is $\phi 8\text{mm}$. With the combination of CA series, the diameter of H•BOR32P and H•BOR40P can now be within the range of $\phi 2\sim\phi 9$.

The inside diameter of H•BOR50 and H•BOR63 micro finish boring system is $\phi 16\text{mm}$. With the combination of BR series, the diameter of H•BOR50 and H•BOR63 can now be within the range of $\phi 6\sim\phi 90$ and $\phi 6\sim\phi 150$ respectively.

Outer diameter boring system, use H•BOR63, BM16D and any kinds of SRTP cutting insert holder then reverse cutting external boring, the boring range $0\sim\phi 100$.

Micro-finishing cutter for reverse fine boring system should be assembled well depends on boring diameter and depth, then boring or machining back end with reverse feeding.





H•BOR

極細微調精搪孔刀

特色

極細微調精搪孔刀，具有齒形滑座，嵌入方形滑軌，組合齒形精搪孔刀座可任意位移精搪孔刀座，極為穩定牢固。

齒形滑座，在齒形方向，可以前進也可以後退調整，配合迴轉平衡需求，可使齒形滑座先後退，再組合可位移精搪孔刀座至搪孔刀徑尺寸，為校正迴轉平衡最佳方法。

H•BOR Micro-Finishing Cutter Fine Boring System.

Feature

Micro-finishing cutter fine boring system is a "gear-mat type" slide and is inserted into the square track. This feature enables the boring system to be firmly and tightly locked.

The "gear-mat type" sliding feature of the micro finish boring system allows the system to be adjusted forward and backward to match its desired balance position. Thus, keeping the system firm and stable.



H•BOR 極細微調精搪孔刀

零件

- A. 鎖緊刀座螺絲
- B. 精搪孔刀座、鎖緊刀片螺絲
- C. 微調尺寸刻劃環，每一格0.001mm直徑
ø0.002mm
- D. 參考刻劃環，每一格0.05mm直徑ø0.1mm
- E. 刻劃線，每一格1mm直徑ø2mm
- F. 精搪孔刀本體、中心冷卻劑出口
- G. 搪孔刀柄



H•BOR Micro-Finishing Cutter Fine Boring System.

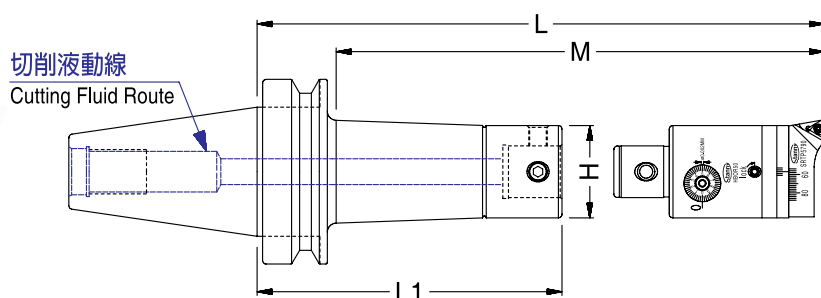
Components

- A. Cutting Insert Holder Mounting Bolt
- B. Cutting Insert Holder and Insert Clamping Bolt
- C. Adjust the Graduation of the size, 0.001mm of each, diameter ø0.002mm
- D. Vice-graduation, 0.05mm of each, diameter ø0.1mm
- E. Substandard, 1mm of each, diameter ø2mm
- F. Body and Coolant Outlet
- G. Taper Shank



MAS403 BT

搪孔刀柄 Taper Shank for Boring System

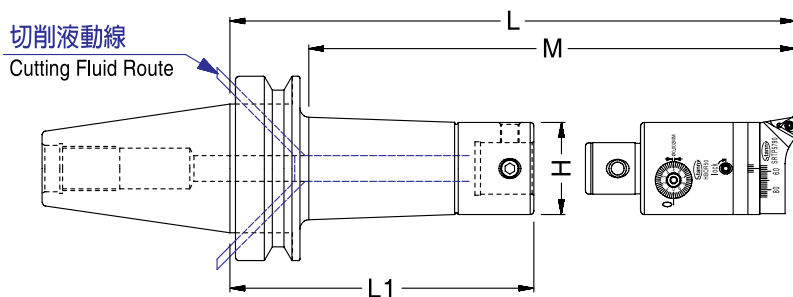


MAS403 BT 搪孔刀柄
MAS403 BT Taper Shank

訂貨編號 Order No.	規格 Model	H	L	L1	M	淨重 N.W.
40251303	BT30-H25-35	25	85	35	60	0.40
40251305	BT30-H25-55	25	105	55	75	0.49
40321303	BT30-H32-35	32	98	35	75	0.45
40321305	BT30-H32-55	32	118	55	93	0.54
40401303	BT30-H40-35	40	98	35	75	0.45
40401305	BT30-H40-55	40	118	55	93	0.63
40501304	BT30-H50-45	50	125	45	93	0.57
40631306	BT30-H63-65	63	145	65	93	0.91

訂貨編號 Order No.	規格 Model	H	L	L1	M	淨重 N.W.
40251404	BT40-H25-40	25	90	40	60	1.00
40251407	BT40-H25-72	25	122	72	90	1.12
40251410	BT40-H25-100	25	150	100	123	1.47
40321404	BT40-H32-40	32	103	40	75	1.00
40321407	BT40-H32-72	32	135	72	102	1.20
40321412	BT40-H32-120	32	183	120	150	1.55
40401404	BT40-H40-40	40	103	40	73	1.05
40401407	BT40-H40-72	40	135	72	102	1.31
40401413	BT40-H40-130	40	193	130	162	1.95
40501405	BT40-H50-50	50	130	50	102	1.15
40501413	BT40-H50-130	50	210	130	182	2.20
40631405	BT40-H63-55	63	135	55	102	1.24

訂貨編號 Order No.	規格 Model	H	L	L1	M	淨重 N.W.
40251511	BT50-H25-115	25	165	115	102	4.15
40251514	BT50-H25-140	25	190	140	127	4.30
40251516	BT50-H25-165	25	215	165	152	4.40
40321513	BT50-H32-135	32	198	135	135	4.55
40321516	BT50-H32-165	32	228	165	165	4.80
40321520	BT50-H32-200	32	263	200	200	5.00
40401513	BT50-H40-135	40	198	135	135	4.90
40401518	BT50-H40-185	40	248	185	185	5.45
40401522	BT50-H40-225	40	288	225	225	5.90
40401526	BT50-H40-265	40	328	265	265	6.30
40501506	BT50-H50-65	50	145	65	102	3.80
40501516	BT50-H50-165	50	245	165	202	5.35
40501521	BT50-H50-215	50	295	215	252	6.30
40501526	BT50-H50-265	50	345	265	302	7.20
40631506	BT50-H63-65	63	145	65	102	3.80
40631508	BT50-H63-85	63	165	85	122	4.30
40631516	BT50-H63-165	63	245	165	202	6.20
40631521	BT50-H63-215	63	295	215	252	7.75
40631526	BT50-H63-265	63	345	265	302	8.70
40631531-8	BT50-H63-315 ø80	63	395	315	352	10.90
40631531-9	BT50-H63-315 ø90	63	395	315	352	11.95
41001510	BT50-H100-100	100	200	100	157	5.95
41001515	BT50-H100-150	100	250	150	207	8.60
41001520	BT50-H100-200	100	300	200	257	11.55
41001525	BT50-H100-250	100	350	250	307	14.50

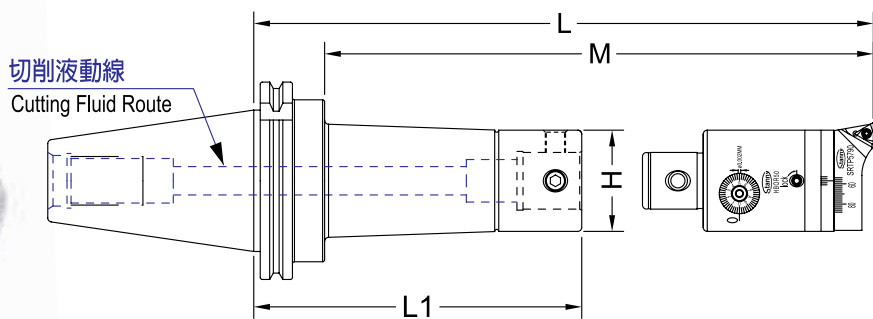


MAS403 BT-B型 搪孔刀柄
MAS403 BT-B Type Taper Shank

訂貨編號 Order No.	規格 Model	H	L	L1	M	淨重 N.W.
40251511B	BT50B-H25-115	25	165	115	102	4.15
40251514B	BT50B-H25-140	25	190	140	127	4.30
40251516B	BT50B-H25-165	25	215	165	152	4.40
40321513B	BT50B-H32-135	32	198	135	135	4.55
40321516B	BT50B-H32-165	32	228	165	165	4.80
40321520B	BT50B-H32-200	32	263	200	200	5.00
40401513B	BT50B-H40-135	40	198	135	135	4.90
40401518B	BT50B-H40-185	40	248	185	185	5.45
40401522B	BT50B-H40-225	40	288	225	225	5.90
40401526B	BT50B-H40-265	40	328	265	265	6.30
40501506B	BT50B-H50-65	50	145	65	102	3.80
40501516B	BT50B-H50-165	50	245	165	202	5.35
40501521B	BT50B-H50-215	50	295	215	252	6.30
40501526B	BT50B-H50-265	50	345	265	302	7.20
40631506B	BT50B-H63-65	63	145	65	102	3.80
40631508B	BT50B-H63-85	63	165	85	122	4.30
40631516B	BT50B-H63-165	63	245	165	202	6.20
40631521B	BT50B-H63-215	63	295	215	252	7.75
40631526B	BT50B-H63-265	63	345	265	302	8.70
41001510B	BT50B-H100-100	100	200	100	157	5.95
41001515B	BT50B-H100-150	100	250	150	207	8.60
41001520B	BT50B-H100-200	100	300	200	257	11.55
41001525B	BT50B-H100-250	100	350	250	307	14.50

DIN69871A

SK 搪孔刀柄 Taper Shank for Boring System



DIN69871A 搪孔刀柄 DIN69871A Taper Shank

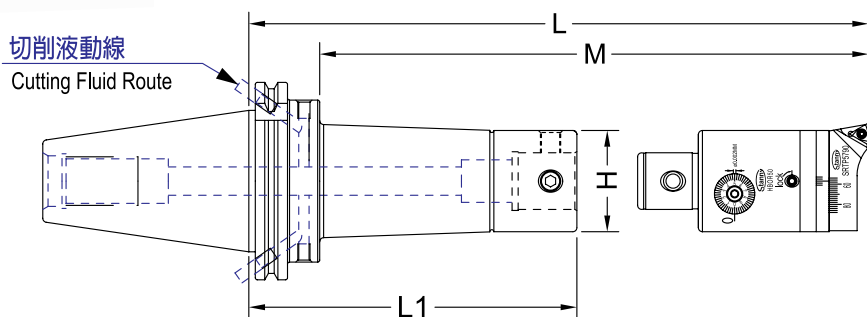
訂貨編號 Order No.	規格 Model	H	L	L1	M	淨重 N.W.
40252303	ISO30-H25-30	25	80	30	60	0.39
40322303	ISO30-H32-35	32	98	35	75	0.42
40402303	ISO30-H40-35	40	98	35	75	0.44
40502305	ISO30-H50-55	50	135	55	95	0.70

訂貨編號 Order No.	規格 Model	H	L	L1	M	淨重 N.W.
40252403	ISO40-H25-30	25	80	30	60	0.83
40252406	ISO40-H25-65	25	115	65	90	1.00
40322403	ISO40-H32-35	32	98	35	75	0.86
40322406	ISO40-H32-65	32	128	65	102	1.05
40322408	ISO40-H32-84	32	147	84	123	1.19
40402403	ISO40-H40-35	40	98	35	75	0.88
40402406	ISO40-H40-65	40	128	65	102	1.20
40402410	ISO40-H40-104	40	167	104	143	1.50
40502405	ISO40-H50-50	50	130	50	102	1.12
40502410	ISO40-H50-104	50	184	104	163	1.87
40632406	ISO40-H63-60	63	140	60	102	1.28

訂貨編號 Order No.	規格 Model	H	L	L1	M	淨重 N.W.
40252509	ISO50-H25-92	25	142	92	102	3.60
40252511	ISO50-H25-117	25	167	117	127	3.70
40252514	ISO50-H25-142	25	192	142	152	3.80
40322511	ISO50-H32-112	32	175	112	135	3.80
40322514	ISO50-H32-144	32	207	144	165	4.00
40322517	ISO50-H32-176	32	239	176	200	4.20
40402511	ISO50-H40-112	40	175	112	135	3.95
40402516	ISO50-H40-162	40	225	162	185	4.45
40402520	ISO50-H40-202	40	265	202	225	4.90
40402524	ISO50-H40-242	40	305	242	265	5.30
40502505	ISO50-H50-50	50	130	50	102	3.35
40502516	ISO50-H50-162	50	242	162	202	5.00
40502521	ISO50-H50-212	50	292	212	252	5.80
40502526	ISO50-H50-262	50	342	262	302	6.60
40632506	ISO50-H63-65	63	145	65	102	3.00
40632516	ISO50-H63-162	63	242	162	202	5.70
40632521	ISO50-H63-212	63	292	212	252	6.95
40632526	ISO50-H63-262	63	342	262	302	8.15
41002510	ISO50-H100-100	100	205	105	170	6.00
41002515	ISO50-H100-150	100	255	155	220	8.50
41002520	ISO50-H100-200	100	305	205	270	11.35
41002525	ISO50-H100-250	100	355	255	320	14.25

DIN69871B

SK-B 搪孔刀柄 Taper Shank for Boring System



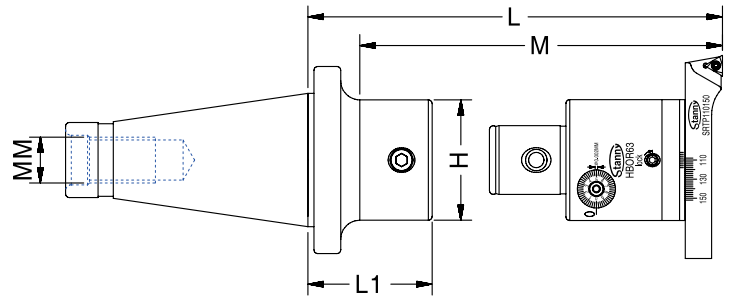
DIN69871B 搪孔刀柄
DIN69871B Taper Shank

訂貨編號 Order No.	規 格 Model	H	L	L1	M	淨 重 N.W.
40252509B	ISO50-H25-92	25	142	92	102	3.60
40252511B	ISO50-H25-117	25	167	117	127	3.70
40252514B	ISO50-H25-142	25	192	142	152	3.80
40322511B	ISO50-H32-112	32	175	112	135	3.80
40322514B	ISO50-H32-144	32	207	144	165	4.00
40322517B	ISO50-H32-176	32	239	176	200	4.20
40402511B	ISO50-H40-112	40	175	112	135	3.95
40402516B	ISO50-H40-162	40	225	162	185	4.45
40402520B	ISO50-H40-202	40	265	202	225	4.90
40402524B	ISO50-H40-242	40	305	242	265	5.30
40502505B	ISO50-H50-50	50	130	50	102	3.35
40502516B	ISO50-H50-162	50	242	162	202	5.00
40502521B	ISO50-H50-212	50	292	212	252	5.80
40502526B	ISO50-H50-262	50	342	262	302	6.60
40632506B	ISO50-H63-65	63	145	65	102	3.00
40632516B	ISO50-H63-162	63	242	162	202	5.70
40632521B	ISO50-H63-212	63	292	212	252	6.95
40632526B	ISO50-H63-262	63	342	262	302	8.15
41002510B	ISO50-H100-100	100	205	105	170	6.00
41002515B	ISO50-H100-150	100	255	155	220	8.50
41002520B	ISO50-H100-200	100	305	205	270	11.35
41002525B	ISO50-H100-250	100	355	255	320	14.25



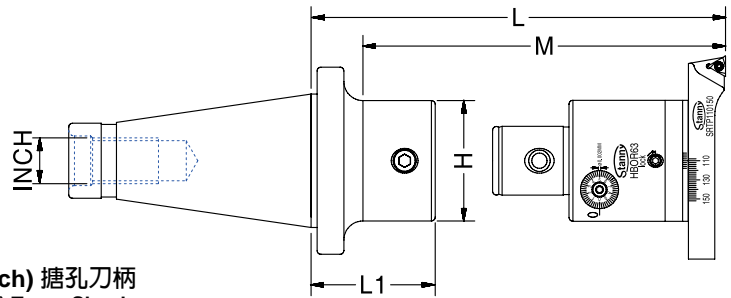
DIN2080(NT)

搪孔刀柄 Taper Shank for Boring System



DIN2080 (mm) 搪孔刀柄
DIN2080 (mm) Taper Shank

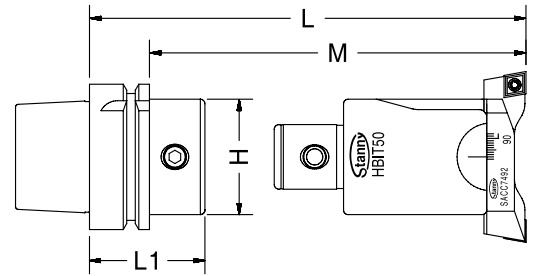
訂貨編號 Order No.	規格 Model	H	L	L1	M	淨重 N.W.
40250304M	ISO30-H25-40	25	90	40	72	0.40
40320304M	ISO30-H32-40	32	103	40	90	0.45
40400304M	ISO30-H40-40	40	103	40	95	0.55
40500305M	ISO30-H50-50	50	130	50	120	0.75
40630306M	ISO30-H63-60	63	140	60	120	1.13
40250407M	ISO40-H25-72	25	122	72	102	0.95
40320407M	ISO40-H32-72	32	135	72	102	1.03
40400407M	ISO40-H40-72	40	135	72	102	1.14
40500403M	ISO40-H50-35	50	115	35	102	0.93
40630405M	ISO40-H63-55	63	140	55	102	1.40
40250511M	ISO50-H25-115	25	165	115	122	3.40
40320513M	ISO50-H32-135	32	198	135	155	3.90
40400516M	ISO50-H40-165	40	248	165	185	4.60
40500505M	ISO50-H50-50	50	130	50	102	3.20
40500520M	ISO50-H50-200	50	280	200	252	5.50
40630506M	ISO50-H63-65	63	145	65	122	3.35
40630524M	ISO50-H63-245	63	325	245	302	7.90



DIN2080 (inch) 搪孔刀柄
DIN2080 (inch) Taper Shank

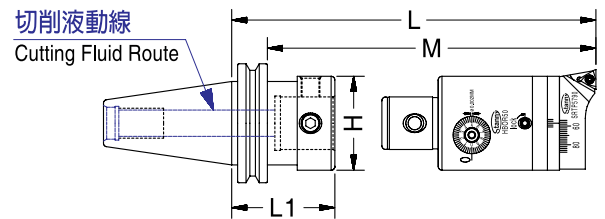
訂貨編號 Order No.	規格 Model	H	L	L1	M	淨重 N.W.
40250304I	ISO30-H25-40	25	90	40	72	0.40
40320304I	ISO30-H32-40	32	103	40	90	0.45
40400304I	ISO30-H40-40	40	103	40	95	0.55
40500305I	ISO30-H50-50	50	130	50	120	0.75
40630306I	ISO30-H63-60	63	140	60	120	1.13
40250407I	ISO40-H25-72	25	122	72	102	0.95
40320407I	ISO40-H32-72	32	135	72	102	1.03
40400407I	ISO40-H40-72	40	135	72	102	1.14
40500403I	ISO40-H50-35	50	115	35	102	0.93
40630405I	ISO40-H63-55	63	140	55	102	1.40
40250511I	ISO50-H25-115	25	165	115	122	3.40
40320513I	ISO50-H32-135	32	198	135	155	3.90
40400516I	ISO50-H40-165	40	248	165	185	4.60
40500505I	ISO50-H50-50	50	130	50	102	3.20
40500520I	ISO50-H50-200	50	280	200	252	5.50
40630506I	ISO50-H63-65	63	145	65	122	3.35
40630524I	ISO50-H63-245	63	325	245	302	7.90

DIN69893A、ANSI、直柄、R8搪孔刀柄
DIN69893A, ANSI, Straight Shank, R8 Taper Shank for Boring System



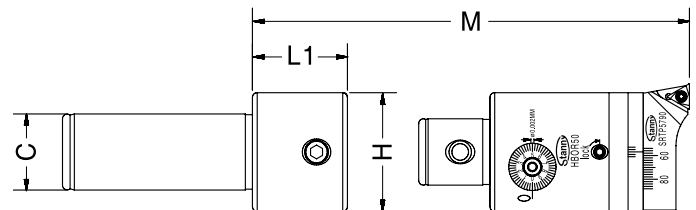
DIN69893A 搪孔刀柄
DIN69893A Shank

訂貨編號 Order No.	規格 Model	H	L	L1	M	淨重 N.W.
40254604	HSK63-H25-40	25	90	40	60	0.70
40324604	HSK63-H32-40	32	103	40	75	0.70
40404604	HSK63-H40-45	40	108	45	80	0.75
40504605	HSK63-H50-50	50	130	50	102	0.86
40634606	HSK63-H63-67	63	147	67	102	1.13
40634907	HSK100-H63-75	63	155	75	122	2.80
41004911	HSK100-H100-115	100	215	115	170	5.60



ANSI 搪孔刀柄
ANSI Taper Shank

訂貨編號 Order No.	規格 Model	H	L	L1	M	淨重 N.W.
40253406	CAT40-H25-63	25	113	63	90	0.99
40323406	CAT40-H32-63	32	126	63	102	1.06
40403406	CAT40-H40-63	40	126	63	102	1.06
40503405	CAT40-H50-55	50	135	55	102	1.14
40503505	CAT50-H50-50	50	130	50	102	2.85
40633506	CAT50-H63-65	63	145	65	122	3.25



直柄
Straight Shank

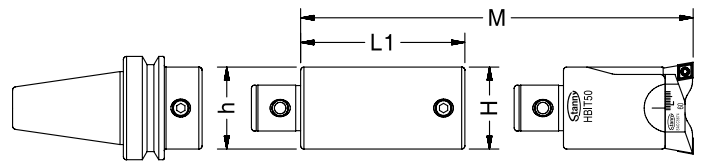
訂貨編號 Order No.	規格 Model	C	H	L1	M	淨重 N.W.
40032503	C32H25-35	32	25	35	85	0.62
40033204	C32H32-40	32	32	40	102	0.67
40034004	C32H40-40	32	40	40	102	0.76
40035004	C32H50-40	32	50	40	120	0.88
40036305	C32H63-55	32	63	55	135	1.24

R8搪孔刀柄
R8 Taper Shank

訂貨編號 Order No.	規格 Model	H	L	L1	M	淨重 N.W.
40638806	R8-7/16"NF20	63	130	50	102	1.31

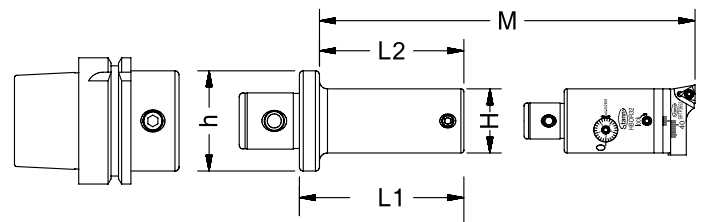
延長接桿、縮徑接桿、鎢鋼柄

Extension Spacer, Stepped Spacer, Carbide Shank for Boring System



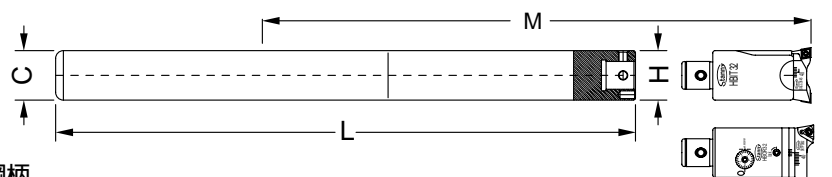
延長接桿
Extension Spacer

訂貨編號 Order No.	規格 Model	h	H	L1	M	淨重 N.W.
42252502	h25H25-25	25	25	25	75	0.09
42252505	h25H25-50	25	25	50	100	0.18
42323203	h32H32-32	32	32	32	95	0.18
42323206	h32H32-64	32	32	64	125	0.37
42404004	h40H40-40	40	40	40	102	0.37
42404008	h40H40-80	40	40	80	142	0.92
42505005	h50H50-50	50	50	50	130	0.69
42505010	h50H50-100	50	50	100	180	1.41
42636306	h63H63-63	63	63	63	143	1.40
42636312	h63H63-126	63	63	126	205	2.77
42101010	h100H100-100	100	100	100	200	5.75
42101020	h100H100-200	100	100	200	300	11.30



縮徑接桿
Stepped Spacer

訂貨編號 Order No.	規格 Model	h	H	L1	L2	M	淨重 N.W.
43322503	h32H25-25	32	25	32	23	75	0.14
43322505	h32H25-48	32	25	57	48	100	0.22
43402504	h40H25-30	40	25	40	28	75	0.24
43402506	h40H25-50	40	25	65	53	105	0.33
43403204	h40H32-30	40	32	40	28	92	0.28
43403207	h40H32-60	40	32	72	60	123	0.46
43502505	h50H25-35	50	25	50	30	85	0.44
43502507	h50H25-60	50	25	75	55	110	0.53
43503205	h50H32-35	50	32	50	30	98	0.45
43503208	h50H32-67	50	32	82	62	130	0.64
43504005	h50H40-35	50	40	50	33	98	0.55
43504009	h50H40-75	50	40	90	73	138	1.10
43632506	h63H25-40	63	25	63	38	90	0.73
43632511	h63H25-90	63	25	113	88	130	0.91
43633206	h63H32-40	63	32	63	38	102	0.83
43633212	h63H32-100	63	32	127	102	165	1.21
43634006	h63H40-40	63	40	63	40	102	0.94
43634014	h63H40-120	63	40	143	120	183	2.04
43635006	h63H50-40	63	50	63	44	120	1.09
43635016	h63H50-140	63	50	163	144	220	2.53



鎢鋼柄
Carbide Shank


訂貨編號 Order No.	規格 Model	H	L	M	淨重 N.W.
40072531	C25H25-318	25	318	175	1.90
40073237	C32H32-375	32	375	224	4.05

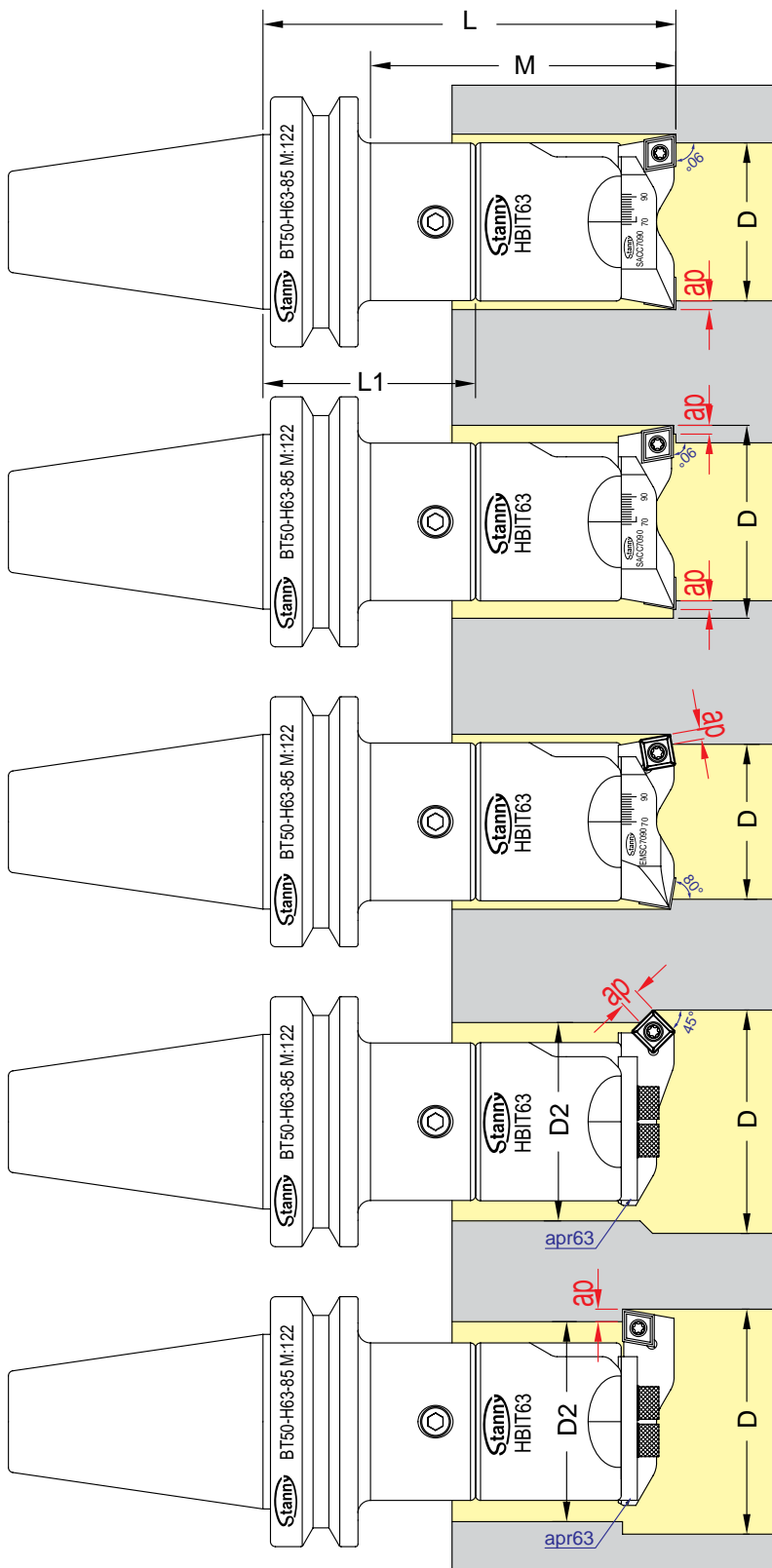




Stanny



雙刃粗搪孔刀系統 
Adjustable Twin Cutter Roughing and Semi-Finishing Boring System



雙刃—粗搪

SACC and SACC Cutting Insert Holders

H•BIT-AA

P21~P22

雙刃—段差粗搪

SACC and SBCC Cutting Insert Holders

H•BIT-AB

P23~P24

雙刃—80°粗搪

EMSC and EMSC 80° Cutting Insert Holders

H•BIT-MM

P25~P26

單刃—45°正反倒角

IWSC Positive and Negative 45° Chamfer Cutting Insert Holder and Apron

H•BIT-AW

P27~P28

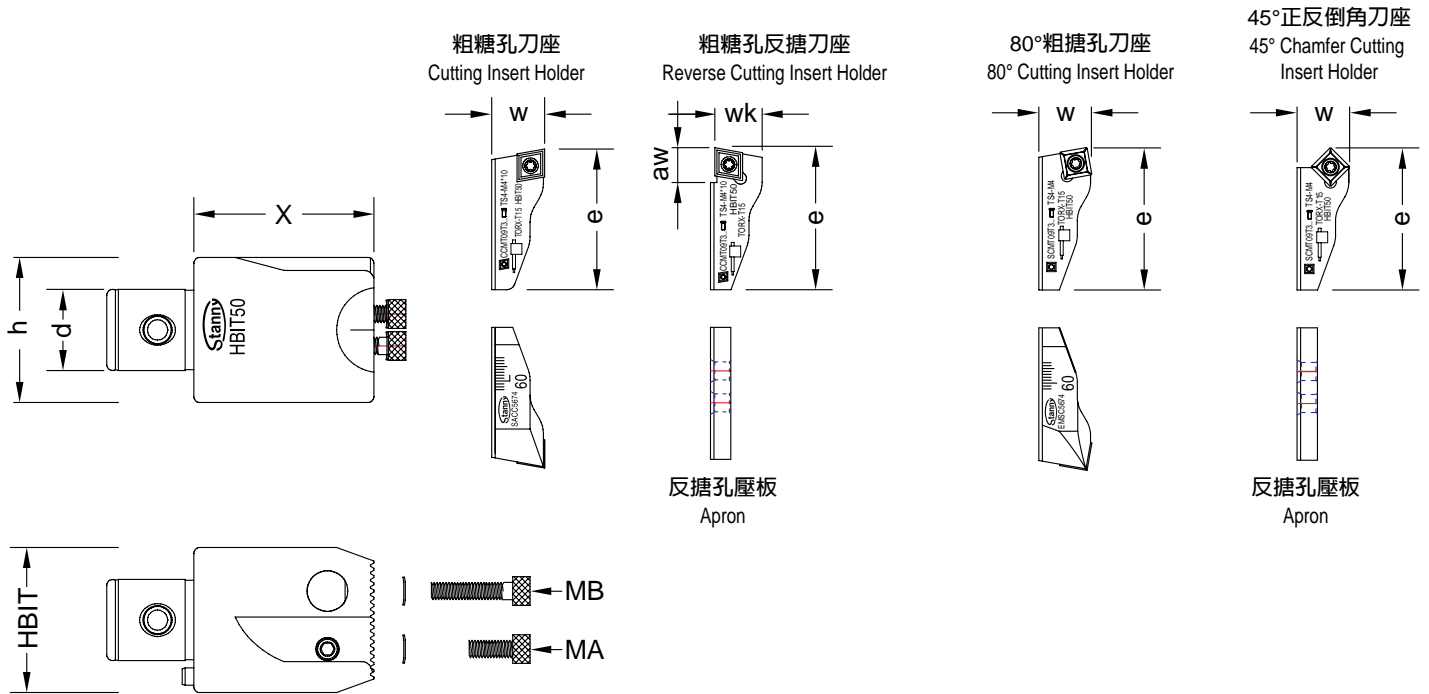
單刃—反搪孔

RKCC Reverse Cutting Insert Holder and Apron

H•BIT-AK

P29~P30

粗搪孔刀本體 Body



H•BIT 雙刃粗搪孔刀-本體
Body for H•BIT Adjustable Twin Cutter Roughing

訂貨編號 Order No.	規格 Model	系統 h	d	X	MA Bolt	MB Bolt	淨重 N.W.
31000025	HBIT25	25	14	40	M4×10	M4×18	0.15
31000032	HBIT32	32	18	50	M5×10	M5×20	0.33
31000040	HBIT40	40	22	48	M6×12	M6×20	0.48
31000050	HBIT50	50	28	62	M6×14	M6×25	0.96
31000063	HBIT63	63	36	58	M8×16	M8×30	1.54
31000080	HBIT80	63	36	58	M8×16	M8×30	1.96
31000120	HBIT120	100	56	73	M10×20	M10×40	5.85

粗搪孔刀座 Cutting Insert Holder

80° 粗搪孔刀座 80° Cutting Insert Holder



H•BIT 粗搪孔刀座

Cutting Insert Holder for H•BIT Adjustable Twin Cutter Roughing

訂貨編號 Order No.	較高粗搪孔刀座 Cutting Insert Holder	系統 System	範圍 D Boring Range øDMin-øDMax	W	e	刀片 Insert	搪孔量 ap	螺絲 Bolt	板手 Wrench	淨重 N.W.
30252936A	SACC2936	HBIT25	29-36	12.1	25.9	CCMT0602..	0.5-1	M2.5	T8	0.01
30253542A	SACC3542		35-42		30.6					0.02
30323645A	SACC3645	HBIT32	36-45	16	32	CCMT0602..	1-3	-TS25	T8	0.02
30324453A	SACC4453		44-53		38					0.02
30404556A	SACC4556	HBIT40	45-56	16	40	CCMT09T3..	0.5-1	M4	T15	0.04
30405566A	SACC5566		55-66		46.5					0.05
30505674A	SACC5674	HBIT50	56-74	17.9	49	CCMT09T3..	1-4	-TS4	T15	0.06
30507492A	SACC7492		74-92		62					0.09
30637090A	SACC7090	HBIT63	70-90	23.1	61	CCMT1204..	0.5-1	M5	T25	0.12
30639011A	SACC90110		90-110		78.5					0.18
30809013A	SACC90130	HBIT80	90-130	27.9	80.5	CCMT1204..	1-5	-TS5	T25	0.17
30813017A	SACC130170		130-170		100.5					0.23
30912013A	SACC130190	HBIT120	130-190	27.9	119.5	CCMT1204..	1-5	-TS5	T25	0.41
30912017A	SACC170230		170-230		139.5					0.52



H•BIT 粗搪孔刀座

Cutting Insert Holder for H•BIT Adjustable Twin Cutter Roughing

訂貨編號 Order No.	較低粗搪孔刀座 Cutting Insert Holder	系統 System	範圍 D Boring Range øDMin-øDMax	W	e	刀片 Insert	搪孔量 ap	螺絲 Bolt	板手 Wrench	淨重 N.W.
30252936B	SBCC2936	HBIT25	29-36	11.8	25.9	CCMT0602..	0.5-1	M2.5	T8	0.01
30253542B	SBCC3542		35-42		30.6					0.02
30323645B	SBCC3645	HBIT32	36-45	15.6	32	CCMT0602..	1-3	-TS25	T8	0.02
30324453B	SBCC4453		44-53		38					0.02
30404556B	SBCC4556	HBIT40	45-56	15.6	40	CCMT09T3..	0.5-1	M4	T15	0.04
30405566B	SBCC5566		55-66		46.5					0.05
30505674B	SBCC5674	HBIT50	56-74	17.5	49	CCMT09T3..	1-4	-TS4	T15	0.07
30507492B	SBCC7492		74-92		62					0.09
30637090B	SBCC7090	HBIT63	70-90	22.7	61	CCMT1204..	0.5-1	M5	T25	0.13
30639011B	SBCC90110		90-110		78.5					0.18
30809013B	SBCC90130	HBIT80	90-130	27.5	80.5	CCMT1204..	1-5	-TS5	T25	0.18
30813017B	SBCC130170		130-170		100.5					0.24
30912013B	SBCC130190	HBIT120	130-190	27.5	119.5	CCMT1204..	1-5	-TS5	T25	0.40
30912017B	SBCC170230		170-230		139.5					0.51

備註：SACC刀座和SBCC刀座差別於(W)。

PS. The difference of SACC Cutting Insert Holder and SBCC Cutting Insert Holder is the height(W).

H•BIT 80°粗搪孔刀座

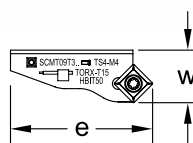
80° Cutting Insert Holder for H•BIT Adjustable Twin Cutter Roughing

訂貨編號 Order No.	80°粗搪孔刀座 80° Cutting Insert Holder	系統 System	範圍 D Boring Range øDMin-øDMax	W	e	刀片 Insert	搪孔量 ap	螺絲 Bolt	板手 Wrench	淨重 N.W.
30252936M	EMSC2936	HBIT25	29-36	12.4	25.9	SCET0602..	0.5-1	M2.5	T8	0.01
30253542M	EMSC3542		35-42		30.6					0.01
30323645M	EMSC3645	HBIT32	36-45	16	32	SCET0602..	1-3	-TS25	T8	0.01
30324453M	EMSC4453		44-53		38					0.02
30404556M	EMSC4556	HBIT40	45-56	16	40	SCMT09T3..	0.5-1	M4	T15	0.03
30405566M	EMSC5566		55-66		46.5					0.04
30505674M	EMSC5674	HBIT50	56-74	18.3	49	SCMT09T3..	1-4	-TS4	T15	0.06
30507492M	EMSC7492		74-92		62					0.09
30637090M	EMSC7090	HBIT63	70-90	23.1	61	SCMT1204..	0.5-1	M5	T25	0.12
30639011M	EMSC90110		90-110		78.5					0.18
30809013M	EMSC90130	HBIT80	90-130	27.8	80.5	SCMT1204..	1-5	-TS5	T25	0.17
30813017M	EMSC130170		130-170		100.5					0.23
30912013M	EMSC130190	HBIT120	130-190	27.8	119.5	SCMT1204..	1-5	-TS5	T25	0.41
30912017M	EMSC170230		170-230		139.5					0.52

45° 正反倒角粗搪孔刀座 45° Chamfer Cutting Insert Holder

粗搪孔反搪刀座 Reverse Cutting Insert Holder

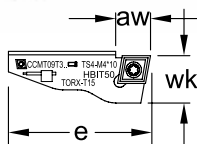
反搪孔壓板 Apron



H•BIT 45°正反倒角粗搪孔刀座

45° Chamfer Cutting Insert Holder for H•BIT Adjustable Single Cutter Roughing

訂貨編號 Order No.	45° 正反倒角刀座 45° Chamfer Cutting Insert Holder	系統 System	範圍 D Boring Range øDMin-øDMax	W	e	刀片 Insert	搪孔量 ap	螺絲 Bolt	扳手 Wrench	淨重 N.W.			
30252936W	IWSC2936	HBIT25	29-36	12.4	25.9	SCET0602..	0.5-1	M2.5	T8	0.01			
30253542W	IWSC3542		35-42		30.6					0.01			
30323645W	IWSC3645	HBIT32	36-45		32		1-3	-TS25		0.01			
30324453W	IWSC4453		44-53		38					0.02			
30404556W	IWSC4556	HBIT40	45-56	16	40	SCMT09T3..	0.5-1	M4	T15	0.03			
30405566W	IWSC5566		55-66		46.5					0.04			
30505674W	IWSC5674	HBIT50	56-74		18.3		49	1-4		-TS4	0.06		
30507492W	IWSC7492		74-92				62				0.09		
30637090W	IWSC7090	HBIT63	70-90	23.1		61	SCMT1204..		0.5-1		M5	T25	0.11
30639011W	IWSC90110		90-110			78.5							0.17
30809013W	IWSC90130	HBIT80	90-130		27.8	80.5		1-5	-TS5	0.16			
30813017W	IWSC130170		130-170			100.5				0.22			
30912013W	IWSC130190	HBIT120	130-190	119.5		139.5	0.39						
30912017W	IWSC170230		170-230				0.50						



H•BIT 粗搪孔反搪刀座

Reverse Cutting Insert Holder for H•BIT Adjustable Single Cutter Roughing

訂貨編號 Order No.	粗搪孔反搪刀座 Reverse Cutting Insert Holder	系統 System	範圍 D Boring Range øDMin-øDMax	壓板 Apron	aw	wk	e	刀片 Insert	搪孔量 ap	螺絲 Bolt	扳手 Wrench	淨重 N.W.	
30252936K	RKCC2936	HBIT25	29-36	apr25	4	11	25	CCMT0602..	0.5-3	M2.5	T8	0.01	
30253542K	RKCC3542		35-42		7	11	30					0.02	
30323645K	RKCC3645	HBIT32	36-45	apr32	5	11	32					-TS25	0.02
30324453K	RKCC4453		44-53		9	11	38						0.02
30404556K	RKCC4556	HBIT40	45-56	apr40	7	15	40	CCMT09T3..	0.5-4	M4	T15	0.04	
30405566K	RKCC5566		55-66		10	15	46.5					0.05	
30505674K	RKCC5674	HBIT50	56-74	apr50	11	17	48.5					-TS4	0.07
30507492K	RKCC7492		74-92		17	17	62						
30637090K	RKCC7090	HBIT63	70-90	apr63	12	22	60	CCMT1204..	0.5-5	M5	T25	0.13	
30639011K	RKCC90110		90-110		22	22	78					0.18	
30809013K	RKCC90130	HBIT80	90-130	apr80	24	22	79.5					-TS5	0.25
30813017K	RKCC130170		130-170		44	22	99.5						
30912013K	RKCC130190	HBIT120	130-190	apr120	34	27	119.5	139.5	0.25				
30912017K	RKCC170230		170-230		54	27	0.50						

H•BIT反搪孔壓板

Apron for H•BIT Adjustable Single Cutter Roughing

訂貨編號 Order No.	規格 Model	系統 System	淨重 N.W.
30002525	apr25	HBIT25	0.01
30003232	apr32	HBIT32	0.01
30004040	apr40	HBIT40	0.02
30005050	apr50	HBIT50	0.04
30006363	apr63	HBIT63	0.07
30008080	apr80	HBIT80	0.09
30012012	apr120	HBIT120	0.24

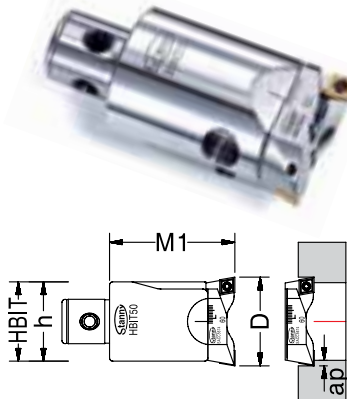


粗搪孔刀本體、粗搪孔刀座 Body and Cutting Insert Holder

粗搪孔刀本體、80°粗搪孔刀座 Body and 80° Cutting Insert Holder

等高粗搪頭系統組合(雙刃等高切削相同直徑)

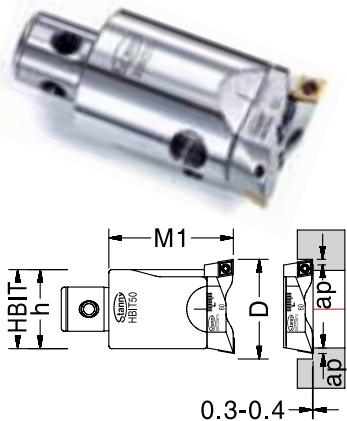
SACC and SACC Cutting Insert Holders have the same Cutting Diameter and Height.



訂貨編號 Order No.	規格 Model	範圍 D Boring Range øDMin-øDMax	M1	h	粗搪孔刀本體 Boring Head	粗搪孔刀座 Cutting Insert Holder		淨重 N.W.
32290000AA	HBIT25 AA	29-36	50	25	HBIT25	SACC2936	SACC2936	0.17
32350000AA	HBIT25 AA	35-42				SACC3542	SACC3542	0.19
33360000AA	HBIT32 AA	36-45	63	32	HBIT32	SACC3645	SACC3645	0.37
33440000AA	HBIT32 AA	44-53				SACC4453	SACC4453	0.37
34450000AA	HBIT40 AA	45-56	63	40	HBIT40	SACC4556	SACC4556	0.56
34550000AA	HBIT40 AA	55-66				SACC5566	SACC5566	0.58
35560000AA	HBIT50 AA	56-74	80	50	HBIT50	SACC5674	SACC5674	1.10
35740000AA	HBIT50 AA	74-92				SACC7492	SACC7492	1.14
36700000AA	HBIT63 AA	70-90	80	63	HBIT63	SACC7090	SACC7090	1.78
36900000AA	HBIT63 AA	90-110				SACC90110	SACC90110	1.90
38900000AA	HBIT80 AA	90-130	80	63	HBIT80	SACC90130	SACC90130	2.30
38910000AA	HBIT80 AA	130-170				SACC130170	SACC130170	2.44
39130000AA	HBIT120 AA	130-190	100	100	HBIT120	SACC130190	SACC130190	6.67
39170000AA	HBIT120 AA	170-230				SACC170230	SACC170230	6.89

不等高粗搪頭系統組合(雙刃不等高切削不同直徑)

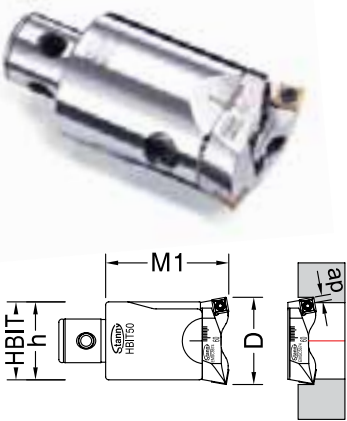
SACC and SBCC Cutting Insert Holders have different Cutting Diameter and Height.



訂貨編號 Order No.	規格 Model	範圍 D Boring Range øDMin-øDMax	M1	h	粗搪孔刀本體 Boring Head	粗搪孔刀座 Cutting Insert Holder		淨重 N.W.
32290000AB	HBIT25 AB	29-36	50	25	HBIT25	SACC2936	SBCC2936	0.17
32350000AB	HBIT25 AB	35-42				SACC3542	SBCC3542	0.19
33360000AB	HBIT32 AB	36-45	63	32	HBIT32	SACC3645	SBCC3645	0.37
33440000AB	HBIT32 AB	44-53				SACC4453	SBCC4453	0.37
34450000AB	HBIT40 AB	45-56	63	40	HBIT40	SACC4556	SBCC4556	0.56
34550000AB	HBIT40 AB	55-66				SACC5566	SBCC5566	0.58
35560000AB	HBIT50 AB	56-74	80	50	HBIT50	SACC5674	SBCC5674	1.10
35740000AB	HBIT50 AB	74-92				SACC7492	SBCC7492	1.14
36700000AB	HBIT63 AB	70-90	80	63	HBIT63	SACC7090	SBCC7090	1.78
36900000AB	HBIT63 AB	90-110				SACC90110	SBCC90110	1.90
38900000AB	HBIT80 AB	90-130	80	63	HBIT80	SACC90130	SBCC90130	2.30
38910000AB	HBIT80 AB	130-170				SACC130170	SBCC130170	2.44
39130000AB	HBIT120 AB	130-190	100	100	HBIT120	SACC130190	SBCC130190	6.66
39170000AB	HBIT120 AB	170-230				SACC170230	SBCC170230	6.88

80°等高粗搪頭系統組合(雙刃等高切削相同直徑)

EMSC and EMSC 80° Cutting Insert Holders have the same Cutting Diameter and Height.



訂貨編號 Order No.	規格 Model	範圍 D Boring Range øDMin-øDMax	M1	h	粗搪孔刀本體 Boring Head	80° 粗搪孔刀座 80° Cutting Insert Holder		淨重 N.W.
32290000MM	HBIT25 MM	29-36	50	25	HBIT25	EMSC2936	EMSC2936	0.17
32350000MM	HBIT25 MM	35-42				EMSC3542	EMSC3542	0.17
33360000MM	HBIT32 MM	36-45	63	32	HBIT32	EMSC3645	EMSC3645	0.35
33440000MM	HBIT32 MM	44-53				EMSC4453	EMSC4453	0.37
34450000MM	HBIT40 MM	45-56	63	40	HBIT40	EMSC4556	EMSC4556	0.54
34550000MM	HBIT40 MM	55-66				EMSC5566	EMSC5566	0.56
35560000MM	HBIT50 MM	56-74	80	50	HBIT50	EMSC5674	EMSC5674	1.08
35740000MM	HBIT50 MM	74-92				EMSC7492	EMSC7492	1.14
36700000MM	HBIT63 MM	70-90	80	63	HBIT63	EMSC7090	EMSC7090	1.78
36900000MM	HBIT63 MM	90-110				EMSC90110	EMSC90110	1.90
38900000MM	HBIT80 MM	90-130	80	63	HBIT80	EMSC90130	EMSC90130	2.30
38910000MM	HBIT80 MM	130-170				EMSC130170	EMSC130170	2.42
39130000MM	HBIT120 MM	130-190	100	100	HBIT120	EMSC130190	EMSC130190	6.67
39170000MM	HBIT120 MM	170-230				EMSC170230	EMSC170230	6.89

粗搪孔刀本體、45°正反倒角粗搪孔刀座 Body and 45° Chamfer Cutting Insert Holder

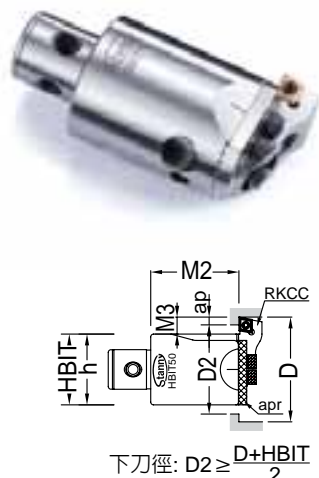
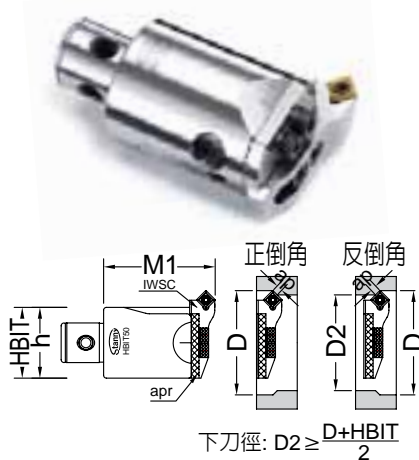
粗搪孔刀本體、粗搪孔反搪刀座 Body and Reverse Cutting Insert Holder

45°正反倒角粗搪頭系統組合 Body and 45° Chamfer Cutting Insert Holder

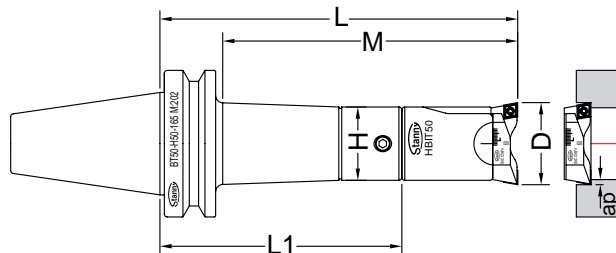
訂貨編號 Order No.	規格 Model	範圍 D Boring Range øDMin-øDMax	M1	h	粗搪孔刀本體 Boring Head	45°正反倒角刀座 45° Chamfer Cutting Insert Holder	壓板 Apron	淨重 N.W.
32290000AW	HBIT25 AW	29-36	50	25	HBIT25	IWSC2936	apr25	0.17
32350000AW	HBIT25 AW	35-42				IWSC3542		0.17
33360000AW	HBIT32 AW	36-45	63	32	HBIT32	IWSC3645	apr32	0.35
33440000AW	HBIT32 AW	44-53				IWSC4453		0.36
34450000AW	HBIT40 AW	45-56		40	HBIT40	IWSC4556	apr40	0.53
34550000AW	HBIT40 AW	55-66				IWSC5566		0.54
35560000AW	HBIT50 AW	56-74	80	50	HBIT50	IWSC5674	apr50	1.06
35740000AW	HBIT50 AW	74-92				IWSC7492		1.09
36700000AW	HBIT63 AW	70-90		63	HBIT63	IWSC7090	apr63	1.72
36900000AW	HBIT63 AW	90-110				IWSC90110		1.78
38900000AW	HBIT80 AW	90-130		80	HBIT80	IWSC90130	apr80	2.21
38910000AW	HBIT80 AW	130-170				IWSC130170		2.27
39130000AW	HBIT120 AW	130-190				100		HBIT120
39170000AW	HBIT120 AW	170-230		IWSC170230	6.59			

粗搪反搪孔頭系統組合 Body and Reverse Cutting Insert Holder

訂貨編號 Order No.	規格 Model	範圍 D Boring Range øDMin-øDMax	M3	M2	h	粗搪孔刀本體 Boring Head	粗搪孔反搪刀座 Reverse Cutting Insert Holder	壓板 Apron	淨重 N.W.	
32290000AK	HBIT25 AK	29-36	1-4	40	25	HBIT25	RKCC2936	apr25	0.17	
32350000AK	HBIT25 AK	35-42	4-7				RKCC3542		0.18	
33360000AK	HBIT32 AK	36-45	1-5	50	32	HBIT32	RKCC3645	apr32	0.36	
33440000AK	HBIT32 AK	44-53	5-9				RKCC4453		0.36	
34450000AK	HBIT40 AK	45-56	1-5	48	40	HBIT40	RKCC4556	apr40	0.54	
34550000AK	HBIT40 AK	55-66	6-12				RKCC5566		0.55	
35560000AK	HBIT50 AK	56-74	2-11	62	50	HBIT50	RKCC5674	apr50	1.07	
35740000AK	HBIT50 AK	74-92	11-17				RKCC7492		1.09	
36700000AK	HBIT63 AK	70-90	2-12	58	63	HBIT63	RKCC7090	apr63	1.74	
36900000AK	HBIT63 AK	90-110	12-22				RKCC90110		1.79	
38900000AK	HBIT80 AK	90-130	4-24				HBIT80	RKCC90130	apr80	2.23
38910000AK	HBIT80 AK	130-170	24-44					RKCC130170		2.30
39130000AK	HBIT120 AK	130-190	4-34	100	HBIT120	RKCC130190	apr120	6.49		
39170000AK	HBIT120 AK	170-230	24-54			RKCC170230		6.59		



搪孔刀柄、粗搪孔刀本體、粗搪孔刀座 Taper Shank, Body and Cutting Insert Holder



整支 SET

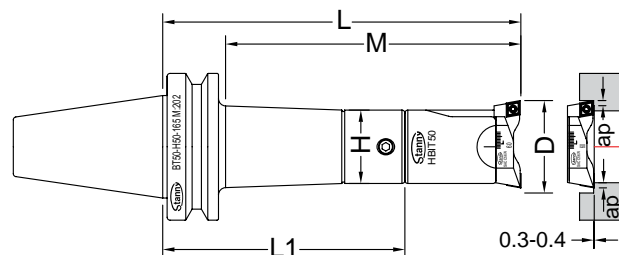
MAS403 BT-H•BIT 雙刃粗搪孔刀(AA type)

MAS403 BT and H•BIT Adjustable Twin Cutter Boring Head (AA type)

訂貨編號 Order No.	規格 Model	範圍 D Boring Range øDMin-øDMax	M	L	粗搪孔系統組合 Adjustable Twin Cutter Boring System				淨重 N.W.
					搪孔刀柄 Taper Shank	粗搪孔刀本體 Boring Head	粗搪孔刀座 Cutting Insert Holder		
32291306AA	BT30-HBIT25-60	AA 29-36	60	85	BT30-H25-35	HBIT25	SACC2936	SACC2936	0.57
32291307AA	BT30-HBIT25-75	AA 29-36	75	105	BT30-H25-55		SACC2936	SACC2936	0.66
32351306AA	BT30-HBIT25-60	AA 35-42	60	85	BT30-H25-35	HBIT25	SACC3542	SACC3542	0.59
32351307AA	BT30-HBIT25-75	AA 35-42	75	105	BT30-H25-55		SACC3542	SACC3542	0.68
33361307AA	BT30-HBIT32-75	AA 36-45	75	98	BT30-H32-35	HBIT32	SACC3645	SACC3645	0.82
33361309AA	BT30-HBIT32-93	AA 36-45	93	118	BT30-H32-55		SACC3645	SACC3645	0.91
33441307AA	BT30-HBIT32-75	AA 44-53	75	98	BT30-H32-35	HBIT32	SACC4453	SACC4453	0.82
33441309AA	BT30-HBIT32-93	AA 44-53	93	118	BT30-H32-55		SACC4453	SACC4453	0.91
34451307AA	BT30-HBIT40-75	AA 45-56	75	98	BT30-H40-35	HBIT40	SACC4556	SACC4556	1.01
34451309AA	BT30-HBIT40-93	AA 45-56	93	118	BT30-H40-55		SACC4556	SACC4556	1.19
34551307AA	BT30-HBIT40-75	AA 55-66	75	98	BT30-H40-35	HBIT40	SACC5566	SACC5566	1.03
34551309AA	BT30-HBIT40-93	AA 55-66	93	118	BT30-H40-55		SACC5566	SACC5566	1.21
35561309AA	BT30-HBIT50-93	AA 56-74	93	125	BT30-H50-45	HBIT50	SACC5674	SACC5674	2.25
35741309AA	BT30-HBIT50-93	AA 74-92	93	125	BT30-H50-45		SACC7492	SACC7492	2.29
32291406AA	BT40-HBIT25-60	AA 29-36	60	90	BT40-H25-40	HBIT25	SACC2936	SACC2936	1.17
32291409AA	BT40-HBIT25-90	AA 29-36	90	122	BT40-H25-72		SACC2936	SACC2936	1.29
32291412AA	BT40-HBIT25-123	AA 29-36	123	150	BT40-H25-100	HBIT25	SACC3542	SACC3542	1.64
32351406AA	BT40-HBIT25-60	AA 35-42	60	90	BT40-H25-40		SACC3542	SACC3542	1.19
32351409AA	BT40-HBIT25-90	AA 35-42	90	122	BT40-H25-72	HBIT25	SACC3542	SACC3542	1.31
32351412AA	BT40-HBIT25-123	AA 35-42	123	150	BT40-H25-100		SACC3542	SACC3542	1.66
33361407AA	BT40-HBIT32-75	AA 36-45	75	103	BT40-H32-40	HBIT32	SACC3645	SACC3645	1.37
33361410AA	BT40-HBIT32-102	AA 36-45	102	135	BT40-H32-72		SACC3645	SACC3645	1.57
33361415AA	BT40-HBIT32-150	AA 36-45	150	183	BT40-H32-120	HBIT32	SACC4453	SACC4453	1.92
33441407AA	BT40-HBIT32-75	AA 44-53	75	103	BT40-H32-40		SACC4453	SACC4453	1.37
33441410AA	BT40-HBIT32-102	AA 44-53	102	135	BT40-H32-72	HBIT32	SACC4453	SACC4453	1.57
33441415AA	BT40-HBIT32-150	AA 44-53	150	183	BT40-H32-120		SACC4453	SACC4453	1.92
34451407AA	BT40-HBIT40-73	AA 45-56	73	103	BT40-H40-40	HBIT40	SACC4556	SACC4556	1.61
34451410AA	BT40-HBIT40-102	AA 45-56	102	135	BT40-H40-72		SACC4556	SACC4556	1.87
34451416AA	BT40-HBIT40-162	AA 45-56	162	193	BT40-H40-130	HBIT40	SACC5566	SACC5566	2.51
34551407AA	BT40-HBIT40-73	AA 55-66	73	103	BT40-H40-40		SACC5566	SACC5566	1.63
34551410AA	BT40-HBIT40-102	AA 55-66	102	135	BT40-H40-72	HBIT40	SACC5566	SACC5566	1.89
34551416AA	BT40-HBIT40-162	AA 55-66	162	193	BT40-H40-130		SACC5566	SACC5566	2.53
35561410AA	BT40-HBIT50-102	AA 56-74	102	130	BT40-H50-50	HBIT50	SACC5674	SACC5674	2.25
35561418AA	BT40-HBIT50-182	AA 56-74	182	210	BT40-H50-130		SACC5674	SACC5674	3.30
35741410AA	BT40-HBIT50-102	AA 74-92	102	130	BT40-H50-50	HBIT50	SACC7492	SACC7492	2.29
35741418AA	BT40-HBIT50-182	AA 74-92	182	210	BT40-H50-130		SACC7492	SACC7492	3.34
36701410AA	BT40-HBIT63-102	AA 70-90	102	135	BT40-H63-55	HBIT63	SACC7090	SACC7090	3.02
36901410AA	BT40-HBIT63-102	AA 90-110					SACC90110	SACC90110	3.14
38901410AA	BT40-HBIT80-102	AA 90-130				HBIT80	SACC90130	SACC90130	3.54
38911410AA	BT40-HBIT80-102	AA 130-170					SACC130170	SACC130170	3.68

訂貨編號 Order No.	規 格 Model	範 圍 D Boring Range øDMin-øDMax	M	L	粗搪孔系統組合 Adjustable Twin Cutter Boring System			淨 重 N.W.		
					搪孔刀柄 Taper Shank	粗搪孔刀本體 Boring Head	粗搪孔刀座 Cutting Insert Holder			
32291510AA	BT50-HBIT25-102	AA 29-36	102	165	BT50-H25-115	HBIT25	SACC2936	SACC2936	4.32	
32291512AA	BT50-HBIT25-127	AA 29-36	127	190	BT50-H25-140				4.47	
32291515AA	BT50-HBIT25-152	AA 29-36	152	215	BT50-H25-165				4.57	
32351510AA	BT50-HBIT25-102	AA 35-42	102	165	BT50-H25-115		SACC3542	SACC3542	4.34	
32351512AA	BT50-HBIT25-127	AA 35-42	127	190	BT50-H25-140				4.49	
32351515AA	BT50-HBIT25-152	AA 35-42	152	215	BT50-H25-165				4.59	
33361513AA	BT50-HBIT32-135	AA 36-45	135	198	BT50-H32-135	HBIT32	SACC3645	SACC3645	4.92	
33361516AA	BT50-HBIT32-165	AA 36-45	165	228	BT50-H32-165				5.17	
33361520AA	BT50-HBIT32-200	AA 36-45	200	263	BT50-H32-200				5.37	
33441513AA	BT50-HBIT32-135	AA 44-53	135	198	BT50-H32-135		SACC4453	SACC4453	4.92	
33441516AA	BT50-HBIT32-165	AA 44-53	165	228	BT50-H32-165				5.17	
33441520AA	BT50-HBIT32-200	AA 44-53	200	263	BT50-H32-200				5.37	
34451513AA	BT50-HBIT40-135	AA 45-56	135	198	BT50-H40-135	HBIT40	SACC4556	SACC4556	5.46	
34451518AA	BT50-HBIT40-185	AA 45-56	185	248	BT50-H40-185				6.01	
34451522AA	BT50-HBIT40-225	AA 45-56	225	288	BT50-H40-225				6.46	
34451526AA	BT50-HBIT40-265	AA 45-56	265	328	BT50-H40-265		SACC5566	SACC5566	6.86	
34551513AA	BT50-HBIT40-135	AA 55-66	135	198	BT50-H40-135				5.48	
34551518AA	BT50-HBIT40-185	AA 55-66	185	248	BT50-H40-185				6.03	
34551522AA	BT50-HBIT40-225	AA 55-66	225	288	BT50-H40-225	HBIT50	SACC5674	SACC5674	6.48	
34551526AA	BT50-HBIT40-265	AA 55-66	265	328	BT50-H40-265				6.88	
35561510AA	BT50-HBIT50-102	AA 56-74	102	145	BT50-H50-65				SACC7492	SACC7492
35561520AA	BT50-HBIT50-202	AA 56-74	202	245	BT50-H50-165		6.45			
35561525AA	BT50-HBIT50-252	AA 56-74	252	295	BT50-H50-215		7.40			
35561530AA	BT50-HBIT50-302	AA 56-74	302	345	BT50-H50-265		HBIT63	SACC90110	SACC90110	8.30
35741510AA	BT50-HBIT50-102	AA 74-92	102	145	BT50-H50-65	4.94				
35741520AA	BT50-HBIT50-202	AA 74-92	202	245	BT50-H50-165	6.49				
35741525AA	BT50-HBIT50-252	AA 74-92	252	295	BT50-H50-215	7.44				
35741530AA	BT50-HBIT50-302	AA 74-92	302	345	BT50-H50-265	8.34				
36701512AA	BT50-HBIT63-122	AA 70-90	122	165	BT50-H63-85	HBIT63		SACC7090	SACC7090	6.08
36701520AA	BT50-HBIT63-202	AA 70-90	202	245	BT50-H63-165		7.98			
36701525AA	BT50-HBIT63-252	AA 70-90	252	295	BT50-H63-215		9.53			
36701530AA	BT50-HBIT63-302	AA 70-90	302	345	BT50-H63-265		SACC90110	SACC90110	10.48	
36701535AA	BT50-HBIT63-352	AA 70-90	352	395	BT50-H63-315				13.73	
36901512AA	BT50-HBIT63-122	AA 90-110	122	165	BT50-H63-85				6.20	
36901520AA	BT50-HBIT63-202	AA 90-110	202	245	BT50-H63-165	HBIT80	SACC90130	SACC90130	8.10	
36901525AA	BT50-HBIT63-252	AA 90-110	252	295	BT50-H63-215				9.65	
36901530AA	BT50-HBIT63-302	AA 90-110	302	345	BT50-H63-265				10.60	
36901535AA	BT50-HBIT63-352	AA 90-110	352	395	BT50-H63-315		SACC130170	SACC130170	13.85	
38901512AA	BT50-HBIT80-122	AA 90-130	122	165	BT50-H63-85				6.60	
38901520AA	BT50-HBIT80-202	AA 90-130	202	245	BT50-H63-165				8.50	
38901525AA	BT50-HBIT80-252	AA 90-130	252	295	BT50-H63-215	HBIT120	SACC170230	SACC170230	10.05	
38901530AA	BT50-HBIT80-302	AA 90-130	302	345	BT50-H63-265				11.00	
38901535AA	BT50-HBIT80-352	AA 90-130	352	395	BT50-H63-315				14.25	
38911512AA	BT50-HBIT80-122	AA 130-170	122	165	BT50-H63-85		SACC130190	SACC130190	6.74	
38911520AA	BT50-HBIT80-202	AA 130-170	202	245	BT50-H63-165				8.64	
38911525AA	BT50-HBIT80-252	AA 130-170	252	295	BT50-H63-215				10.19	
38911530AA	BT50-HBIT80-302	AA 130-170	302	345	BT50-H63-265	HBIT120	SACC170230	SACC170230	11.14	
38911535AA	BT50-HBIT80-352	AA 130-170	352	395	BT50-H63-315				14.39	
39131515AA	BT50-HBIT120-150	AA 130-190	150	200	BT50-H100-100				12.62	
39131520AA	BT50-HBIT120-200	AA 130-190	200	250	BT50-H100-150		HBIT120	SACC170230	SACC170230	15.27
39131525AA	BT50-HBIT120-250	AA 130-190	250	300	BT50-H100-200					18.22
39131530AA	BT50-HBIT120-300	AA 130-190	300	350	BT50-H100-250					21.17
39171515AA	BT50-HBIT120-150	AA 170-230	150	200	BT50-H100-100	SACC170230		SACC170230	12.84	
39171520AA	BT50-HBIT120-200	AA 170-230	200	250	BT50-H100-150				15.49	
39171525AA	BT50-HBIT120-250	AA 170-230	250	300	BT50-H100-200				18.44	
39171530AA	BT50-HBIT120-300	AA 170-230	300	350	BT50-H100-250			21.39		

搪孔刀柄、粗搪孔刀本體、粗搪孔刀座 Taper Shank, Body and Cutting Insert Holder



整支 SET

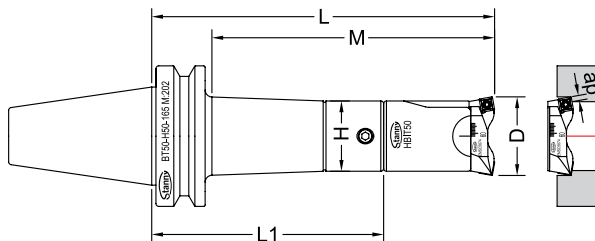
MAS403 BT-H•BIT 雙刃粗搪孔刀(AB type)

MAS403 BT and H•BIT Adjustable Twin Cutter Boring Head (AB type)

訂貨編號 Order No.	規格 Model	範圍 D Boring Range øDMin-øDMax	M	L	粗搪孔系統組合 Adjustable Twin Cutter Boring System			淨重 N.W.	
					搪孔刀柄 Taper Shank	粗搪孔刀本體 Boring Head	粗搪孔刀座 Cutting Insert Holder		
32291306AB	BT30-HBIT25-60	AB 29-36	60	85	BT30-H25-35	HBIT25	SACC2936	SBCC2936	0.57
32291307AB	BT30-HBIT25-75	AB 29-36	75	105	BT30-H25-55		SACC3542	SBCC3542	0.66
32351306AB	BT30-HBIT25-60	AB 35-42	60	85	BT30-H25-35	HBIT25	SACC3542	SBCC3542	0.59
32351307AB	BT30-HBIT25-75	AB 35-42	75	105	BT30-H25-55		SACC3645	SBCC3645	0.68
33361307AB	BT30-HBIT32-75	AB 36-45	75	98	BT30-H32-35	HBIT32	SACC3645	SBCC3645	0.82
33361309AB	BT30-HBIT32-93	AB 36-45	93	118	BT30-H32-55		SACC4453	SBCC4453	0.91
33441307AB	BT30-HBIT32-75	AB 44-53	75	98	BT30-H32-35	HBIT32	SACC4453	SBCC4453	0.82
33441309AB	BT30-HBIT32-93	AB 44-53	93	118	BT30-H32-55		SACC4556	SBCC4556	0.91
34451307AB	BT30-HBIT40-75	AB 45-56	75	98	BT30-H40-35	HBIT40	SACC4556	SBCC4556	1.01
34451309AB	BT30-HBIT40-93	AB 45-56	93	118	BT30-H40-55		SACC5566	SBCC5566	1.19
34551307AB	BT30-HBIT40-75	AB 55-66	75	98	BT30-H40-35	HBIT40	SACC5566	SBCC5566	1.03
34551309AB	BT30-HBIT40-93	AB 55-66	93	118	BT30-H40-55		SACC5674	SBCC5674	1.21
35561309AB	BT30-HBIT50-93	AB 56-74	93	125	BT30-H50-45	HBIT50	SACC5674	SBCC5674	2.25
35741309AB	BT30-HBIT50-93	AB 74-92	93	125	BT30-H50-45		SACC7492	SBCC7492	2.29
32291406AB	BT40-HBIT25-60	AB 29-36	60	90	BT40-H25-40	HBIT25	SACC2936	SBCC2936	1.17
32291409AB	BT40-HBIT25-90	AB 29-36	90	122	BT40-H25-72		SACC2936	SBCC2936	1.29
32291412AB	BT40-HBIT25-123	AB 29-36	123	150	BT40-H25-100	HBIT25	SACC3542	SBCC3542	1.64
32351406AB	BT40-HBIT25-60	AB 35-42	60	90	BT40-H25-40		SACC3542	SBCC3542	1.19
32351409AB	BT40-HBIT25-90	AB 35-42	90	122	BT40-H25-72	HBIT25	SACC3542	SBCC3542	1.31
32351412AB	BT40-HBIT25-123	AB 35-42	123	150	BT40-H25-100		SACC3645	SBCC3645	1.66
33361407AB	BT40-HBIT32-75	AB 36-45	75	103	BT40-H32-40	HBIT32	SACC3645	SBCC3645	1.37
33361410AB	BT40-HBIT32-102	AB 36-45	102	135	BT40-H32-72		SACC3645	SBCC3645	1.57
33361415AB	BT40-HBIT32-150	AB 36-45	150	183	BT40-H32-120	HBIT32	SACC3645	SBCC3645	1.92
33441407AB	BT40-HBIT32-75	AB 44-53	75	103	BT40-H32-40		SACC4453	SBCC4453	1.37
33441410AB	BT40-HBIT32-102	AB 44-53	102	135	BT40-H32-72	HBIT32	SACC4453	SBCC4453	1.57
33441415AB	BT40-HBIT32-150	AB 44-53	150	183	BT40-H32-120		SACC4556	SBCC4556	1.92
34451407AB	BT40-HBIT40-73	AB 45-56	73	103	BT40-H40-40	HBIT40	SACC4556	SBCC4556	1.61
34451410AB	BT40-HBIT40-102	AB 45-56	102	135	BT40-H40-72		SACC4556	SBCC4556	1.87
34451416AB	BT40-HBIT40-162	AB 45-56	162	193	BT40-H40-130	HBIT40	SACC4556	SBCC4556	2.51
34551407AB	BT40-HBIT40-73	AB 55-66	73	103	BT40-H40-40		SACC5566	SBCC5566	1.63
34551410AB	BT40-HBIT40-102	AB 55-66	102	135	BT40-H40-72	HBIT40	SACC5566	SBCC5566	1.89
34551416AB	BT40-HBIT40-162	AB 55-66	162	193	BT40-H40-130		SACC5674	SBCC5674	2.53
35561410AB	BT40-HBIT50-102	AB 56-74	102	130	BT40-H50-50	HBIT50	SACC5674	SBCC5674	2.25
35561418AB	BT40-HBIT50-182	AB 56-74	182	210	BT40-H50-130		SACC5674	SBCC5674	3.30
35741410AB	BT40-HBIT50-102	AB 74-92	102	130	BT40-H50-50	HBIT50	SACC7492	SBCC7492	2.29
35741418AB	BT40-HBIT50-182	AB 74-92	182	210	BT40-H50-130		SACC7492	SBCC7492	3.34
36701410AB	BT40-HBIT63-102	AB 70-90	102	135	BT40-H63-55	HBIT63	SACC7090	SBCC7090	3.02
36901410AB	BT40-HBIT63-102	AB 90-110					SACC90110	SBCC90110	3.14
38901410AB	BT40-HBIT80-102	AB 90-130	102	135	BT40-H80-55	HBIT80	SACC90130	SBCC90130	3.54
38911410AB	BT40-HBIT80-102	AB 130-170					SACC130170	SBCC130170	3.68

訂貨編號 Order No.	規 格 Model	範 圍 D Boring Range øDMin-øDMax	M	L	粗搪孔系統組合 Adjustable Twin Cutter Boring System			淨 重 N.W.		
					搪孔刀柄 Taper Shank	粗搪孔刀本體 Boring Head	粗搪孔刀座 Cutting Insert Holder			
32291510AB	BT50-HBIT25-102	AB 29-36	102	165	BT50-H25-115	HBIT25	SACC2936	SBCC2936	4.32	
32291512AB	BT50-HBIT25-127	AB 29-36	127	190	BT50-H25-140				4.47	
32291515AB	BT50-HBIT25-152	AB 29-36	152	215	BT50-H25-165				4.57	
32351510AB	BT50-HBIT25-102	AB 35-42	102	165	BT50-H25-115		SACC3542	SBCC3542	4.34	
32351512AB	BT50-HBIT25-127	AB 35-42	127	190	BT50-H25-140				4.49	
32351515AB	BT50-HBIT25-152	AB 35-42	152	215	BT50-H25-165				4.59	
33361513AB	BT50-HBIT32-135	AB 36-45	135	198	BT50-H32-135	HBIT32	SACC3645	SBCC3645	4.92	
33361516AB	BT50-HBIT32-165	AB 36-45	165	228	BT50-H32-165				5.17	
33361520AB	BT50-HBIT32-200	AB 36-45	200	263	BT50-H32-200				5.37	
33441513AB	BT50-HBIT32-135	AB 44-53	135	198	BT50-H32-135		SACC4453	SBCC4453	4.92	
33441516AB	BT50-HBIT32-165	AB 44-53	165	228	BT50-H32-165				5.17	
33441520AB	BT50-HBIT32-200	AB 44-53	200	263	BT50-H32-200				5.37	
34451513AB	BT50-HBIT40-135	AB 45-56	135	198	BT50-H40-135	HBIT40	SACC4556	SBCC4556	5.46	
34451518AB	BT50-HBIT40-185	AB 45-56	185	248	BT50-H40-185				6.01	
34451522AB	BT50-HBIT40-225	AB 45-56	225	288	BT50-H40-225				6.46	
34451526AB	BT50-HBIT40-265	AB 45-56	265	328	BT50-H40-265		SACC5566	SBCC5566	6.86	
34551513AB	BT50-HBIT40-135	AB 55-66	135	198	BT50-H40-135				5.48	
34551518AB	BT50-HBIT40-185	AB 55-66	185	248	BT50-H40-185				6.03	
34551522AB	BT50-HBIT40-225	AB 55-66	225	288	BT50-H40-225	HBIT50	SACC5674	SBCC5674	6.48	
34551526AB	BT50-HBIT40-265	AB 55-66	265	328	BT50-H40-265				6.88	
35561510AB	BT50-HBIT50-102	AB 56-74	102	145	BT50-H50-65				SACC7492	SBCC7492
35561520AB	BT50-HBIT50-202	AB 56-74	202	245	BT50-H50-165		6.45			
35561525AB	BT50-HBIT50-252	AB 56-74	252	295	BT50-H50-215		7.40			
35561530AB	BT50-HBIT50-302	AB 56-74	302	345	BT50-H50-265		HBIT63	SACC90110	SBCC90110	8.30
35741510AB	BT50-HBIT50-102	AB 74-92	102	145	BT50-H50-65	4.94				
35741520AB	BT50-HBIT50-202	AB 74-92	202	245	BT50-H50-165	6.49				
35741525AB	BT50-HBIT50-252	AB 74-92	252	295	BT50-H50-215	7.44				
35741530AB	BT50-HBIT50-302	AB 74-92	302	345	BT50-H50-265	8.34				
36701512AB	BT50-HBIT63-122	AB 70-90	122	165	BT50-H63-85	HBIT63		SACC7090	SBCC7090	6.08
36701520AB	BT50-HBIT63-202	AB 70-90	202	245	BT50-H63-165		7.98			
36701525AB	BT50-HBIT63-252	AB 70-90	252	295	BT50-H63-215		9.53			
36701530AB	BT50-HBIT63-302	AB 70-90	302	345	BT50-H63-265		SACC90130	SBCC90130	10.48	
36701535AB	BT50-HBIT63-352	AB 70-90	352	395	BT50-H63-315				13.73	
36901512AB	BT50-HBIT63-122	AB 90-110	122	165	BT50-H63-85				6.20	
36901520AB	BT50-HBIT63-202	AB 90-110	202	245	BT50-H63-165	HBIT80	SACC130170	SBCC130170	8.10	
36901525AB	BT50-HBIT63-252	AB 90-110	252	295	BT50-H63-215				9.65	
36901530AB	BT50-HBIT63-302	AB 90-110	302	345	BT50-H63-265				10.60	
36901535AB	BT50-HBIT63-352	AB 90-110	352	395	BT50-H63-315		13.85			
38901512AB	BT50-HBIT80-122	AB 90-130	122	165	BT50-H63-85		HBIT80	SACC170230	SBCC170230	6.60
38901520AB	BT50-HBIT80-202	AB 90-130	202	245	BT50-H63-165					8.50
38901525AB	BT50-HBIT80-252	AB 90-130	252	295	BT50-H63-215	10.05				
38901530AB	BT50-HBIT80-302	AB 90-130	302	345	BT50-H63-265	SACC130190		SBCC130190	11.00	
38901535AB	BT50-HBIT80-352	AB 90-130	352	395	BT50-H63-315				14.25	
38911512AB	BT50-HBIT80-122	AB 130-170	122	165	BT50-H63-85				6.74	
38911520AB	BT50-HBIT80-202	AB 130-170	202	245	BT50-H63-165	HBIT120	SACC170230	SBCC170230	8.64	
38911525AB	BT50-HBIT80-252	AB 130-170	252	295	BT50-H63-215				10.19	
38911530AB	BT50-HBIT80-302	AB 130-170	302	345	BT50-H63-265				11.14	
38911535AB	BT50-HBIT80-352	AB 130-170	352	395	BT50-H63-315		14.39			
39131515AB	BT50-HBIT120-150	AB 130-190	150	200	BT50-H100-100		HBIT120	SACC130190	SBCC130190	12.61
39131520AB	BT50-HBIT120-200	AB 130-190	200	250	BT50-H100-150					15.26
39131525AB	BT50-HBIT120-250	AB 130-190	250	300	BT50-H100-200	18.21				
39131530AB	BT50-HBIT120-300	AB 130-190	300	350	BT50-H100-250	SACC170230		SBCC170230	21.16	
39171515AB	BT50-HBIT120-150	AB 170-230	150	200	BT50-H100-100				12.83	
39171520AB	BT50-HBIT120-200	AB 170-230	200	250	BT50-H100-150				15.48	
39171525AB	BT50-HBIT120-250	AB 170-230	250	300	BT50-H100-200	SACC170230	SBCC170230	18.43		
39171530AB	BT50-HBIT120-300	AB 170-230	300	350	BT50-H100-250			21.38		

搪孔刀柄、粗搪孔刀本體、80°粗搪孔刀座 Taper Shank, Body and 80° Cutting Insert Holder



整支 SET

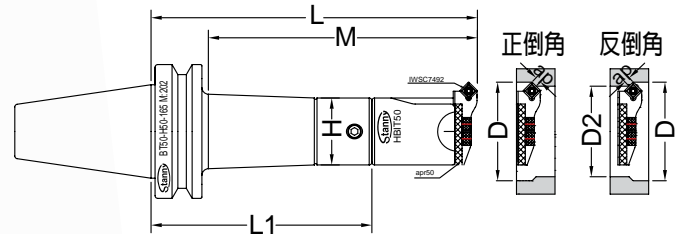
MAS403 BT-H•BIT 80°雙刃粗搪孔刀 (MM type)

MAS403 BT and H•BIT Adjustable Twin Cutter Boring Head (MM type)

訂貨編號 Order No.	規 格 Model	範 圍 D Boring Range øDMin-øDMax	M	L	粗搪孔系統組合 Adjustable Twin Cutter Boring System			淨 重 N.W.	
					搪孔刀柄 Boring Head	粗搪孔刀本體 Boring Head	80°粗搪孔刀座 80° Cutting Insert Holder		
32291306MM	BT30-HBIT25-60	MM 29-36	60	85	BT30-H25-35	HBIT25	EMSC2936	EMSC2936	0.57
32291307MM	BT30-HBIT25-75	MM 29-36	75	105	BT30-H25-55		EMSC3542	EMSC3542	0.66
32351306MM	BT30-HBIT25-60	MM 35-42	60	85	BT30-H25-35	HBIT25	EMSC3542	EMSC3542	0.57
32351307MM	BT30-HBIT25-75	MM 35-42	75	105	BT30-H25-55		EMSC3645	EMSC3645	0.66
33361307MM	BT30-HBIT32-75	MM 36-45	75	98	BT30-H32-35	HBIT32	EMSC3645	EMSC3645	0.80
33361309MM	BT30-HBIT32-93	MM 36-45	93	118	BT30-H32-55		EMSC4453	EMSC4453	0.89
33441307MM	BT30-HBIT32-75	MM 44-53	75	98	BT30-H32-35	HBIT32	EMSC4453	EMSC4453	0.82
33441309MM	BT30-HBIT32-93	MM 44-53	93	118	BT30-H32-55		EMSC4556	EMSC4556	0.91
34451307MM	BT30-HBIT40-75	MM 45-56	75	98	BT30-H40-35	HBIT40	EMSC4556	EMSC4556	0.99
34451309MM	BT30-HBIT40-93	MM 45-56	93	118	BT30-H40-55		EMSC5566	EMSC5566	1.17
34551307MM	BT30-HBIT40-75	MM 55-66	75	98	BT30-H40-35	HBIT40	EMSC5566	EMSC5566	1.01
34551309MM	BT30-HBIT40-93	MM 55-66	93	118	BT30-H40-55		EMSC5674	EMSC5674	1.19
35561309MM	BT30-HBIT50-93	MM 56-74	93	125	BT30-H50-45	HBIT50	EMSC5674	EMSC5674	2.23
35741309MM	BT30-HBIT50-93	MM 74-92	93	125	BT30-H50-45		EMSC7492	EMSC7492	2.27
32291406MM	BT40-HBIT25-60	MM 29-36	60	90	BT40-H25-40	HBIT25	EMSC2936	EMSC2936	1.17
32291409MM	BT40-HBIT25-90	MM 29-36	90	122	BT40-H25-72		EMSC3542	EMSC3542	1.29
32291412MM	BT40-HBIT25-123	MM 29-36	123	150	BT40-H25-100	HBIT25	EMSC3542	EMSC3542	1.64
32351406MM	BT40-HBIT25-60	MM 35-42	60	90	BT40-H25-40		EMSC3542	EMSC3542	1.17
32351409MM	BT40-HBIT25-90	MM 35-42	90	122	BT40-H25-72	HBIT25	EMSC3542	EMSC3542	1.29
32351412MM	BT40-HBIT25-123	MM 35-42	123	150	BT40-H25-100		EMSC3645	EMSC3645	1.64
33361407MM	BT40-HBIT32-75	MM 36-45	75	103	BT40-H32-40	HBIT32	EMSC3645	EMSC3645	1.35
33361410MM	BT40-HBIT32-102	MM 36-45	102	135	BT40-H32-72		EMSC4453	EMSC4453	1.55
33361415MM	BT40-HBIT32-150	MM 36-45	150	183	BT40-H32-120	HBIT32	EMSC4453	EMSC4453	1.90
33441407MM	BT40-HBIT32-75	MM 44-53	75	103	BT40-H32-40		EMSC4453	EMSC4453	1.37
33441410MM	BT40-HBIT32-102	MM 44-53	102	135	BT40-H32-72	HBIT32	EMSC4453	EMSC4453	1.57
33441415MM	BT40-HBIT32-150	MM 44-53	150	183	BT40-H32-120		EMSC4556	EMSC4556	1.92
34451407MM	BT40-HBIT40-73	MM 45-56	73	103	BT40-H40-40	HBIT40	EMSC4556	EMSC4556	1.59
34451410MM	BT40-HBIT40-102	MM 45-56	102	135	BT40-H40-72		EMSC4556	EMSC4556	1.85
34451416MM	BT40-HBIT40-162	MM 45-56	162	193	BT40-H40-130	HBIT40	EMSC4556	EMSC4556	2.49
34551407MM	BT40-HBIT40-73	MM 55-66	73	103	BT40-H40-40		EMSC5566	EMSC5566	1.61
34551410MM	BT40-HBIT40-102	MM 55-66	102	135	BT40-H40-72	HBIT40	EMSC5566	EMSC5566	1.87
34551416MM	BT40-HBIT40-162	MM 55-66	162	193	BT40-H40-130		EMSC5674	EMSC5674	2.51
35561410MM	BT40-HBIT50-102	MM 56-74	102	130	BT40-H50-50	HBIT50	EMSC5674	EMSC5674	2.23
35561418MM	BT40-HBIT50-182	MM 56-74	182	210	BT40-H50-130		EMSC5674	EMSC5674	3.28
35741410MM	BT40-HBIT50-102	MM 74-92	102	130	BT40-H50-50	HBIT50	EMSC7492	EMSC7492	2.29
35741418MM	BT40-HBIT50-182	MM 74-92	182	210	BT40-H50-130		EMSC7492	EMSC7492	3.34
36701410MM	BT40-HBIT63-102	MM 70-90	102	135	BT40-H63-55	HBIT63	EMSC7090	EMSC7090	3.02
36901410MM	BT40-HBIT63-102	MM 90-110					EMSC90110	EMSC90110	3.14
38901410MM	BT40-HBIT80-102	MM 90-130				HBIT80	EMSC90130	EMSC90130	3.54
38911410MM	BT40-HBIT80-102	MM 130-170					EMSC130170	EMSC130170	3.66

訂貨編號 Order No.	規格 Model	範圍 D Boring Range øDMin-øDMax	M	L	粗搪孔系統組合 Adjustable Twin Cutter Boring System				淨重 N.W.	
					搪孔刀柄 Taper Shank	粗搪孔刀本體 Boring Head	80°粗搪孔刀座 80° Cutting Insert Holder			
32291510MM	BT50-HBIT25-102	MM 29-36	102	165	BT50-H25-115	HBIT25	EMSC2936	EMSC2936	4.32	
32291512MM	BT50-HBIT25-127	MM 29-36	127	190	BT50-H25-140				4.47	
32291515MM	BT50-HBIT25-152	MM 29-36	152	215	BT50-H25-165				4.57	
32351510MM	BT50-HBIT25-102	MM 35-42	102	165	BT50-H25-115		EMSC3542	EMSC3542	4.32	
32351512MM	BT50-HBIT25-127	MM 35-42	127	190	BT50-H25-140				4.47	
32351515MM	BT50-HBIT25-152	MM 35-42	152	215	BT50-H25-165				4.57	
33361513MM	BT50-HBIT32-135	MM 36-45	135	198	BT50-H32-135	HBIT32	EMSC3645	EMSC3645	4.90	
33361516MM	BT50-HBIT32-165	MM 36-45	165	228	BT50-H32-165				5.15	
33361520MM	BT50-HBIT32-200	MM 36-45	200	263	BT50-H32-200				5.35	
33441513MM	BT50-HBIT32-135	MM 44-53	135	198	BT50-H32-135		EMSC4453	EMSC4453	4.92	
33441516MM	BT50-HBIT32-165	MM 44-53	165	228	BT50-H32-165				5.17	
33441520MM	BT50-HBIT32-200	MM 44-53	200	263	BT50-H32-200				5.37	
34451513MM	BT50-HBIT40-135	MM 45-56	135	198	BT50-H40-135	HBIT40	EMSC4556	EMSC4556	5.44	
34451518MM	BT50-HBIT40-185	MM 45-56	185	248	BT50-H40-185				5.99	
34451522MM	BT50-HBIT40-225	MM 45-56	225	288	BT50-H40-225				6.44	
34451526MM	BT50-HBIT40-265	MM 45-56	265	328	BT50-H40-265		EMSC5566	EMSC5566	6.84	
34551513MM	BT50-HBIT40-135	MM 55-66	135	198	BT50-H40-135				5.46	
34551518MM	BT50-HBIT40-185	MM 55-66	185	248	BT50-H40-185				6.01	
34551522MM	BT50-HBIT40-225	MM 55-66	225	288	BT50-H40-225	HBIT50	EMSC5674	EMSC5674	6.46	
34551526MM	BT50-HBIT40-265	MM 55-66	265	328	BT50-H40-265				6.86	
35561510MM	BT50-HBIT50-102	MM 56-74	102	145	BT50-H50-65				EMSC7492	EMSC7492
35561520MM	BT50-HBIT50-202	MM 56-74	202	245	BT50-H50-165		6.43			
35561525MM	BT50-HBIT50-252	MM 56-74	252	295	BT50-H50-215		7.38			
35561530MM	BT50-HBIT50-302	MM 56-74	302	345	BT50-H50-265		HBIT63	EMSC7090	EMSC7090	8.28
35741510MM	BT50-HBIT50-102	MM 74-92	102	145	BT50-H50-65	4.94				
35741520MM	BT50-HBIT50-202	MM 74-92	202	245	BT50-H50-165	6.49				
35741525MM	BT50-HBIT50-252	MM 74-92	252	295	BT50-H50-215	7.44				
35741530MM	BT50-HBIT50-302	MM 74-92	302	345	BT50-H50-265	8.34				
36701512MM	BT50-HBIT63-122	MM 70-90	122	165	BT50-H63-85	HBIT63		EMSC90110	EMSC90110	6.08
36701520MM	BT50-HBIT63-202	MM 70-90	202	245	BT50-H63-165		7.98			
36701525MM	BT50-HBIT63-252	MM 70-90	252	295	BT50-H63-215		9.53			
36701530MM	BT50-HBIT63-302	MM 70-90	302	345	BT50-H63-265		EMSC90130	EMSC90130	10.48	
36701535MM	BT50-HBIT63-352	MM 70-90	352	395	BT50-H63-315				13.73	
36901512MM	BT50-HBIT63-122	MM 90-110	122	165	BT50-H63-85				6.20	
36901520MM	BT50-HBIT63-202	MM 90-110	202	245	BT50-H63-165	HBIT80	EMSC130170	EMSC130170	8.10	
36901525MM	BT50-HBIT63-252	MM 90-110	252	295	BT50-H63-215				9.65	
36901530MM	BT50-HBIT63-302	MM 90-110	302	345	BT50-H63-265				10.60	
36901535MM	BT50-HBIT63-352	MM 90-110	352	395	BT50-H63-315		EMSC130190	EMSC130190	13.85	
38901512MM	BT50-HBIT80-122	MM 90-130	122	165	BT50-H63-85				6.60	
38901520MM	BT50-HBIT80-202	MM 90-130	202	245	BT50-H63-165				8.50	
38901525MM	BT50-HBIT80-252	MM 90-130	252	295	BT50-H63-215	HBIT120	EMSC170230	EMSC170230	10.05	
38901530MM	BT50-HBIT80-302	MM 90-130	302	345	BT50-H63-265				11.00	
38901535MM	BT50-HBIT80-352	MM 90-130	352	395	BT50-H63-315				14.25	
38911512MM	BT50-HBIT80-122	MM 130-170	122	165	BT50-H63-85		EMSC130170	EMSC130170	6.72	
38911520MM	BT50-HBIT80-202	MM 130-170	202	245	BT50-H63-165				8.62	
38911525MM	BT50-HBIT80-252	MM 130-170	252	295	BT50-H63-215				10.17	
38911530MM	BT50-HBIT80-302	MM 130-170	302	345	BT50-H63-265	HBIT120	EMSC130190	EMSC130190	11.12	
38911535MM	BT50-HBIT80-352	MM 130-170	352	395	BT50-H63-315				14.37	
39131515MM	BT50-HBIT120-150	MM 130-190	150	200	BT50-H100-100				12.62	
39131520MM	BT50-HBIT120-200	MM 130-190	200	250	BT50-H100-150		HBIT120	EMSC170230	EMSC170230	15.27
39131525MM	BT50-HBIT120-250	MM 130-190	250	300	BT50-H100-200					18.22
39131530MM	BT50-HBIT120-300	MM 130-190	300	350	BT50-H100-250					21.17
39171515MM	BT50-HBIT120-150	MM 170-230	150	200	BT50-H100-100	EMSC170230		EMSC170230	12.84	
39171520MM	BT50-HBIT120-200	MM 170-230	200	250	BT50-H100-150				15.49	
39171525MM	BT50-HBIT120-250	MM 170-230	250	300	BT50-H100-200				18.44	
39171530MM	BT50-HBIT120-300	MM 170-230	300	350	BT50-H100-250		21.39			

搪孔刀柄、粗搪孔刀本體、45°正反倒角搪孔刀座、反搪孔壓板 Taper Shank, Body, 45° Chamfer Cutting Insert Holder and Apron



整支 SET

MAS403 BT-H-BIT粗搪孔刀-45°正反倒角(AW type)

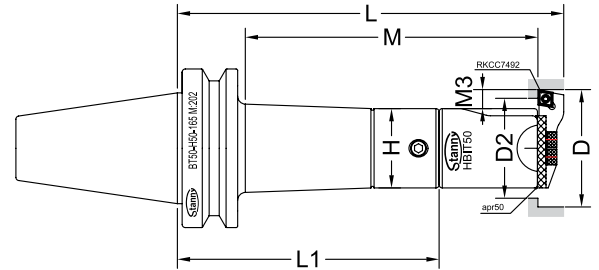
MAS403 BT and H•BIT Adjustable 45° Chamfer Cutter Boring Head (AW type)

$$\text{下刀徑: } D2 \geq \frac{D + \text{HBIT}}{2}$$

訂貨編號 Order No.	規格 Model	範圍 D Boring Range øDMin-øDMax	M	L	粗搪孔系統組合 Adjustable Single Cutter Boring System				淨重 N.W.	
					搪孔刀柄 Taper Shank	粗搪孔刀本體 Boring Head	45°正反倒角刀座 45° Chamfer Cutting Insert Holder	反搪孔壓板 Apron		
32291306AW	BT30-HBIT25-60	AW 29-36	60	85	BT30-H25-35	HBIT25	IWSC2936	apr25	0.57	
32291307AW	BT30-HBIT25-75	AW 29-36	75	105	BT30-H25-55		IWSC3542		0.66	
32351306AW	BT30-HBIT25-60	AW 35-42	60	85	BT30-H25-35		IWSC3542		apr25	0.57
32351307AW	BT30-HBIT25-75	AW 35-42	75	105	BT30-H25-55					0.66
33361307AW	BT30-HBIT32-75	AW 36-45	75	98	BT30-H32-35	HBIT32	IWSC3645	apr32	0.80	
33361309AW	BT30-HBIT32-93	AW 36-45	93	118	BT30-H32-55		IWSC4453		apr32	0.89
33441307AW	BT30-HBIT32-75	AW 44-53	75	98	BT30-H32-35					IWSC4453
33441309AW	BT30-HBIT32-93	AW 44-53	93	118	BT30-H32-55		0.90			
34451307AW	BT30-HBIT40-75	AW 45-56	75	98	BT30-H40-35	HBIT40	IWSC4556	apr40	0.98	
34451309AW	BT30-HBIT40-93	AW 45-56	93	118	BT30-H40-55		IWSC5566		apr40	1.16
34551307AW	BT30-HBIT40-75	AW 55-66	75	98	BT30-H40-35					IWSC5566
34551309AW	BT30-HBIT40-93	AW 55-66	93	118	BT30-H40-55		1.17			
35561309AW	BT30-HBIT50-93	AW 56-74	93	125	BT30-H50-45	HBIT50	IWSC5674	apr50	2.21	
35741309AW	BT30-HBIT50-93	AW 74-92	93	125	BT30-H50-45		IWSC7492		2.22	
32291406AW	BT40-HBIT25-60	AW 29-36	60	90	BT40-H25-40	HBIT25	IWSC2936	apr25	1.17	
32291409AW	BT40-HBIT25-90	AW 29-36	90	122	BT40-H25-72				IWSC3542	apr25
32291412AW	BT40-HBIT25-123	AW 29-36	123	150	BT40-H25-100		IWSC3542			
32351406AW	BT40-HBIT25-60	AW 35-42	60	90	BT40-H25-40				IWSC3542	apr25
32351409AW	BT40-HBIT25-90	AW 35-42	90	122	BT40-H25-72	IWSC3542	apr25	1.29		
32351412AW	BT40-HBIT25-123	AW 35-42	123	150	BT40-H25-100			IWSC3542	apr25	1.64
33361407AW	BT40-HBIT32-75	AW 36-45	75	103	BT40-H32-40	HBIT32	IWSC3645			apr32
33361410AW	BT40-HBIT32-102	AW 36-45	102	135	BT40-H32-72			IWSC4453	apr32	
33361415AW	BT40-HBIT32-150	AW 36-45	150	183	BT40-H32-120		IWSC4453			
33441407AW	BT40-HBIT32-75	AW 44-53	75	103	BT40-H32-40			IWSC4453	apr32	
33441410AW	BT40-HBIT32-102	AW 44-53	102	135	BT40-H32-72	IWSC4453	apr32			1.56
33441415AW	BT40-HBIT32-150	AW 44-53	150	183	BT40-H32-120			IWSC4453	apr32	1.91
34451407AW	BT40-HBIT40-73	AW 45-56	73	103	BT40-H40-40	HBIT40	IWSC4556			apr40
34451410AW	BT40-HBIT40-102	AW 45-56	102	135	BT40-H40-72			IWSC4556	apr40	
34451416AW	BT40-HBIT40-162	AW 45-56	162	193	BT40-H40-130		IWSC5566			
34551407AW	BT40-HBIT40-73	AW 55-66	73	103	BT40-H40-40			IWSC5566	apr40	
34551410AW	BT40-HBIT40-102	AW 55-66	102	135	BT40-H40-72	IWSC5566	apr40			1.85
34551416AW	BT40-HBIT40-162	AW 55-66	162	193	BT40-H40-130			IWSC5566	apr40	2.49
35561410AW	BT40-HBIT50-102	AW 56-74	102	130	BT40-H50-50	HBIT50	IWSC5674			apr50
35561418AW	BT40-HBIT50-182	AW 56-74	182	210	BT40-H50-130			IWSC5674	apr50	
35741410AW	BT40-HBIT50-102	AW 74-92	102	130	BT40-H50-50		IWSC7492			
35741418AW	BT40-HBIT50-182	AW 74-92	182	210	BT40-H50-130			IWSC7492	3.32	
36701410AW	BT40-HBIT63-102	AW 70-90	102	135	BT40-H63-55	HBIT63	IWSC7090	apr63	2.96	
36901410AW	BT40-HBIT63-102	AW 90-110				IWSC90110	3.02			
38901410AW	BT40-HBIT80-102	AW 90-130			HBIT80	apr80	IWSC90130	3.45		
38911410AW	BT40-HBIT80-102	AW 130-170					IWSC130170	3.51		

訂貨編號 Order No.	規 格 Model	範 圍 Boring Range øDMin-øDMax	M	L	粗搪孔系統組合 Adjustable Single Cutter Boring System				淨 重 N.W.
					搪孔刀柄 Taper Shank	粗搪孔刀本體 Boring Head	45°正反倒角刀座 45° Chamfer Cutting Insert Holder	反搪孔壓板 Apron	
32291510AW	BT50-HBIT25-102	AW 29-36	102	165	BT50-H25-115	HBIT25	IWSC2936	apr25	4.32
32291512AW	BT50-HBIT25-127	AW 29-36	127	190	BT50-H25-140				4.47
32291515AW	BT50-HBIT25-152	AW 29-36	152	215	BT50-H25-165				4.57
32351510AW	BT50-HBIT25-102	AW 35-42	102	165	BT50-H25-115				4.32
32351512AW	BT50-HBIT25-127	AW 35-42	127	190	BT50-H25-140				4.47
32351515AW	BT50-HBIT25-152	AW 35-42	152	215	BT50-H25-165				4.57
33361513AW	BT50-HBIT32-135	AW 36-45	135	198	BT50-H32-135	HBIT32	apr32	4.90	
33361516AW	BT50-HBIT32-165	AW 36-45	165	228	BT50-H32-165			5.15	
33361520AW	BT50-HBIT32-200	AW 36-45	200	263	BT50-H32-200			5.35	
33441513AW	BT50-HBIT32-135	AW 44-53	135	198	BT50-H32-135			4.91	
33441516AW	BT50-HBIT32-165	AW 44-53	165	228	BT50-H32-165			5.16	
33441520AW	BT50-HBIT32-200	AW 44-53	200	263	BT50-H32-200			5.36	
34451513AW	BT50-HBIT40-135	AW 45-56	135	198	BT50-H40-135	HBIT40	apr40	5.43	
34451518AW	BT50-HBIT40-185	AW 45-56	185	248	BT50-H40-185			5.98	
34451522AW	BT50-HBIT40-225	AW 45-56	225	288	BT50-H40-225			6.43	
34451526AW	BT50-HBIT40-265	AW 45-56	265	328	BT50-H40-265			6.83	
34551513AW	BT50-HBIT40-135	AW 55-66	135	198	BT50-H40-135			5.44	
34551518AW	BT50-HBIT40-185	AW 55-66	185	248	BT50-H40-185			5.99	
34551522AW	BT50-HBIT40-225	AW 55-66	225	288	BT50-H40-225	6.44			
34551526AW	BT50-HBIT40-265	AW 55-66	265	328	BT50-H40-265	6.84			
35561510AW	BT50-HBIT50-102	AW 56-74	102	145	BT50-H50-65	HBIT50	apr50	4.86	
35561520AW	BT50-HBIT50-202	AW 56-74	202	245	BT50-H50-165			6.41	
35561525AW	BT50-HBIT50-252	AW 56-74	252	295	BT50-H50-215			7.36	
35561530AW	BT50-HBIT50-302	AW 56-74	302	345	BT50-H50-265			8.26	
35741510AW	BT50-HBIT50-102	AW 74-92	102	145	BT50-H50-65			4.89	
35741520AW	BT50-HBIT50-202	AW 74-92	202	245	BT50-H50-165			6.44	
35741525AW	BT50-HBIT50-252	AW 74-92	252	295	BT50-H50-215	7.39			
35741530AW	BT50-HBIT50-302	AW 74-92	302	345	BT50-H50-265	8.29			
36701512AW	BT50-HBIT63-122	AW 70-90	122	165	BT50-H63-85	HBIT63	apr63	6.02	
36701520AW	BT50-HBIT63-202	AW 70-90	202	245	BT50-H63-165			7.92	
36701525AW	BT50-HBIT63-252	AW 70-90	252	295	BT50-H63-215			9.47	
36701530AW	BT50-HBIT63-302	AW 70-90	302	345	BT50-H63-265			10.42	
36701535AW	BT50-HBIT63-352	AW 70-90	352	395	BT50-H63-315			13.67	
36901512AW	BT50-HBIT63-122	AW 90-110	122	165	BT50-H63-85			6.08	
36901520AW	BT50-HBIT63-202	AW 90-110	202	245	BT50-H63-165	7.98			
36901525AW	BT50-HBIT63-252	AW 90-110	252	295	BT50-H63-215	9.53			
36901530AW	BT50-HBIT63-302	AW 90-110	302	345	BT50-H63-265	10.48			
36901535AW	BT50-HBIT63-352	AW 90-110	352	395	BT50-H63-315	13.73			
38901512AW	BT50-HBIT80-122	AW 90-130	122	165	BT50-H63-85	HBIT80	apr80	6.51	
38901520AW	BT50-HBIT80-202	AW 90-130	202	245	BT50-H63-165			8.41	
38901525AW	BT50-HBIT80-252	AW 90-130	252	295	BT50-H63-215			9.96	
38901530AW	BT50-HBIT80-302	AW 90-130	302	345	BT50-H63-265			10.91	
38901535AW	BT50-HBIT80-352	AW 90-130	352	395	BT50-H63-315			14.16	
38911512AW	BT50-HBIT80-122	AW 130-170	122	165	BT50-H63-85			6.57	
38911520AW	BT50-HBIT80-202	AW 130-170	202	245	BT50-H63-165	8.47			
38911525AW	BT50-HBIT80-252	AW 130-170	252	295	BT50-H63-215	10.02			
38911530AW	BT50-HBIT80-302	AW 130-170	302	345	BT50-H63-265	10.97			
38911535AW	BT50-HBIT80-352	AW 130-170	352	395	BT50-H63-315	14.22			
39131515AW	BT50-HBIT120-150	AW 130-190	150	200	BT50-H100-100	HBIT120	apr120	12.43	
39131520AW	BT50-HBIT120-200	AW 130-190	200	250	BT50-H100-150			15.08	
39131525AW	BT50-HBIT120-250	AW 130-190	250	300	BT50-H100-200			18.03	
39131530AW	BT50-HBIT120-300	AW 130-190	300	350	BT50-H100-250			20.98	
39171515AW	BT50-HBIT120-150	AW 170-230	150	200	BT50-H100-100			12.54	
39171520AW	BT50-HBIT120-200	AW 170-230	200	250	BT50-H100-150			15.19	
39171525AW	BT50-HBIT120-250	AW 170-230	250	300	BT50-H100-200	18.14			
39171530AW	BT50-HBIT120-300	AW 170-230	300	350	BT50-H100-250	21.09			

搪孔刀柄、粗搪孔刀本體、粗搪孔反搪刀座、反搪孔壓板 Taper Shank, Body, Reverse Cutting Insert Holder and Apron



整支 SET

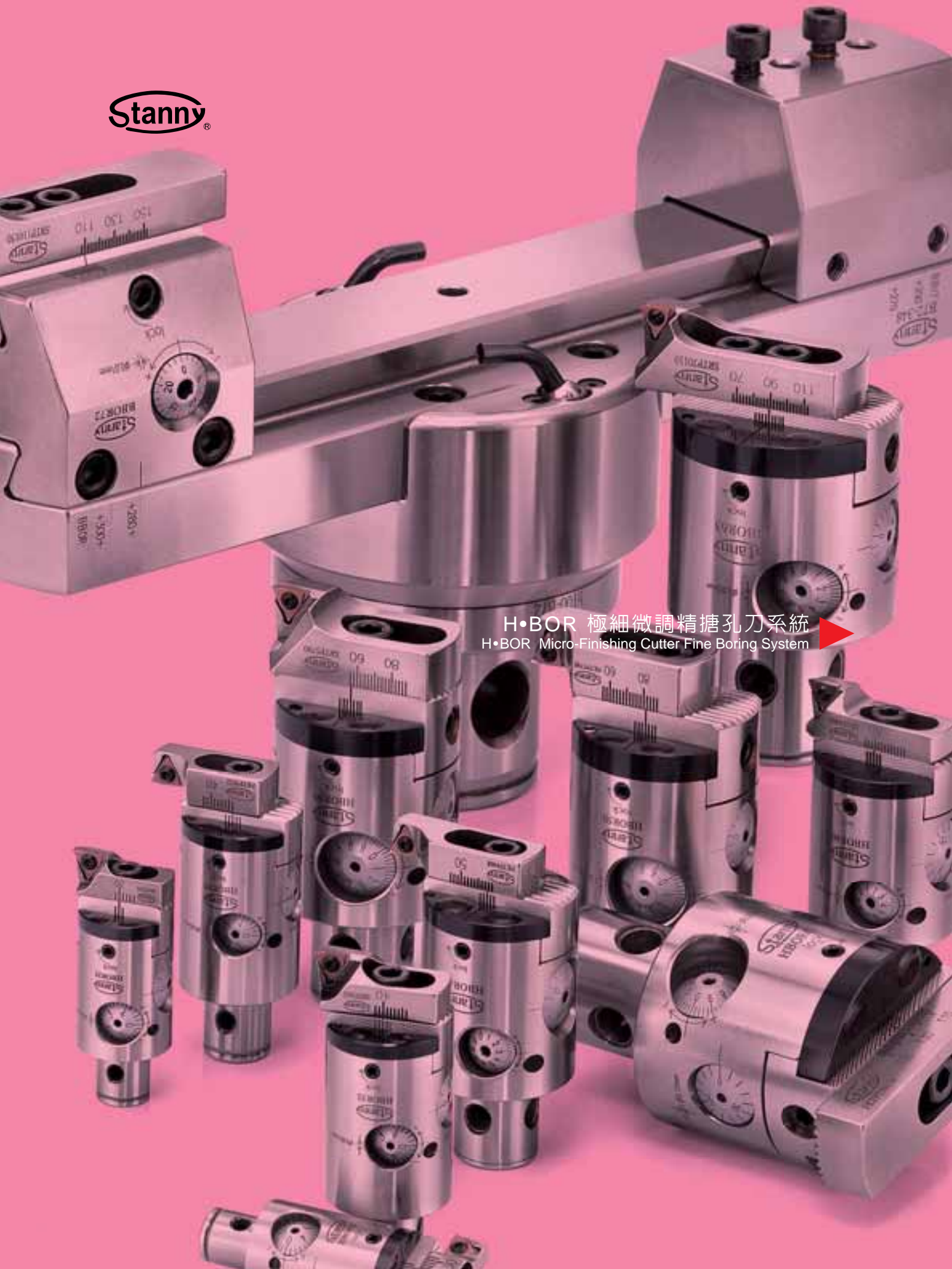
MAS403 BT-H•BIT 粗搪孔刀－反搪(AK type)

MAS403 BT and H•BIT Adjustable Single Reverse Cutter Boring Head

$$\text{下刀徑: } D2 \geq \frac{D + \text{HBIT}}{2}$$

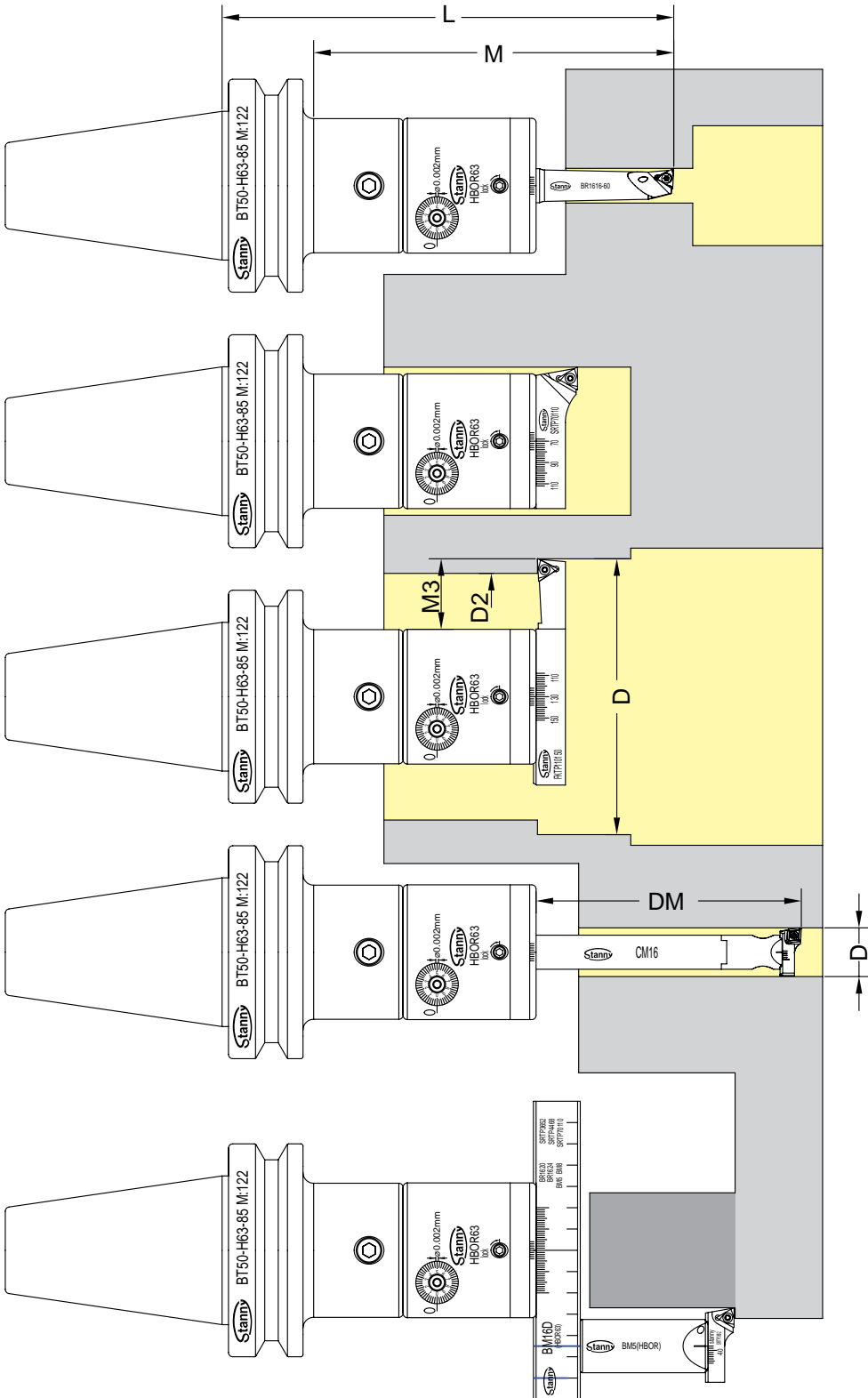
訂貨編號 Order No.	規格 Model	範圍 D Boring Range øDMin-øDMax	M3	M	L	粗搪孔反搪系統組合 Adjustable Single Reverse Cutter Boring System				淨重 N.W.
						搪孔刀柄 Taper Shank	粗搪孔刀本體 Boring Head	粗搪孔反搪刀座 Reverse Cutting Insert Holder	反搪孔壓板 Apron	
32291304AK	BT30-HBIT25-48 AK	29-36	1-4	48	86	BT30-H25-35	HBIT25	RKCC2936	apr25	0.57
32291306AK	BT30-HBIT25-63 AK	29-36	1-4	63	106	BT30-H25-55		RKCC3542		0.66
32351304AK	BT30-HBIT25-48 AK	35-42	4-7	48	86	BT30-H25-35	HBIT25	RKCC3542	apr25	0.58
32351306AK	BT30-HBIT25-63 AK	35-42	4-7	63	106	BT30-H25-55		RKCC3645		0.67
33361306AK	BT30-HBIT32-63 AK	36-45	1-5	63	96	BT30-H32-35	HBIT32	RKCC3645	apr32	0.81
33361308AK	BT30-HBIT32-81 AK	36-45	1-5	81	116	BT30-H32-55		RKCC4453		0.90
33441306AK	BT30-HBIT32-63 AK	44-53	5-9	63	96	BT30-H32-35	HBIT32	RKCC4453	apr32	0.81
33441308AK	BT30-HBIT32-81 AK	44-53	5-9	81	116	BT30-H32-55		RKCC4556		0.90
34451305AK	BT30-HBIT40-59 AK	45-56	1-5	59	98	BT30-H40-35	HBIT40	RKCC4556	apr40	0.99
34451307AK	BT30-HBIT40-77 AK	45-56	1-5	77	118	BT30-H40-55		RKCC5566		1.17
34551305AK	BT30-HBIT40-59 AK	55-66	6-12	59	98	BT30-H40-35	HBIT40	RKCC5566	apr40	1.00
34551307AK	BT30-HBIT40-77 AK	55-66	6-12	77	118	BT30-H40-55		RKCC5674		1.18
35561307AK	BT30-HBIT50-75 AK	56-74	2-11	75	124	BT30-H50-45	HBIT50	RKCC5674	apr50	1.64
35741307AK	BT30-HBIT50-75 AK	74-92	11-17	75	124	BT30-H50-45		RKCC7492		1.66
32291404AK	BT40-HBIT25-48 AK	29-36	1-4	48	91	BT40-H25-40	HBIT25	RKCC2936	apr25	1.17
32291407AK	BT40-HBIT25-78 AK	29-36	1-4	78	123	BT40-H25-72		RKCC3542		1.29
32291411AK	BT40-HBIT25-111 AK	29-36	1-4	111	151	BT40-H25-100	HBIT25	RKCC3542	apr25	1.64
32351404AK	BT40-HBIT25-48 AK	35-42	4-7	48	91	BT40-H25-40		RKCC3542		1.18
32351407AK	BT40-HBIT25-78 AK	35-42	4-7	78	123	BT40-H25-72	HBIT25	RKCC3542	apr25	1.30
32351411AK	BT40-HBIT25-111 AK	35-42	4-7	111	151	BT40-H25-100		RKCC3645		1.65
33361406AK	BT40-HBIT32-63 AK	36-45	1-5	63	101	BT40-H32-40	HBIT32	RKCC3645	apr32	1.36
33361409AK	BT40-HBIT32-90 AK	36-45	1-5	90	133	BT40-H32-72		RKCC3645		1.56
33361413AK	BT40-HBIT32-138 AK	36-45	1-5	138	181	BT40-H32-120	HBIT32	RKCC4453	apr32	1.91
33441406AK	BT40-HBIT32-63 AK	44-53	5-9	63	101	BT40-H32-40		RKCC4453		1.36
33441409AK	BT40-HBIT32-90 AK	44-53	5-9	90	133	BT40-H32-72	HBIT32	RKCC4453	apr32	1.56
33441413AK	BT40-HBIT32-138 AK	44-53	5-9	138	181	BT40-H32-120		RKCC4556		1.91
34451405AK	BT40-HBIT40-57 AK	45-56	1-5	57	103	BT40-H40-40	HBIT40	RKCC4556	apr40	1.59
34451408AK	BT40-HBIT40-86 AK	45-56	1-5	86	135	BT40-H40-72		RKCC4556		1.85
34451414AK	BT40-HBIT40-146 AK	45-56	1-5	146	193	BT40-H40-130	HBIT40	RKCC5566	apr40	2.49
34551405AK	BT40-HBIT40-57 AK	55-66	6-12	57	103	BT40-H40-40		RKCC5566		1.60
34551408AK	BT40-HBIT40-86 AK	55-66	6-12	86	135	BT40-H40-72	HBIT40	RKCC5566	apr40	1.86
34551414AK	BT40-HBIT40-146 AK	55-66	6-12	146	193	BT40-H40-130		RKCC5674		2.50
35561408AK	BT40-HBIT50-84 AK	56-74	2-11	84	129	BT40-H50-50	HBIT50	RKCC5674	apr50	2.22
35561416AK	BT40-HBIT50-164 AK	56-74	2-11	164	209	BT40-H50-130		RKCC5674		3.27
35741408AK	BT40-HBIT50-84 AK	74-92	11-17	84	129	BT40-H50-50	HBIT50	RKCC7492	apr50	2.24
35741416AK	BT40-HBIT50-164 AK	74-92	11-17	164	209	BT40-H50-130		RKCC7492		3.29
36701407AK	BT40-HBIT63-79 AK	70-90	2-12	79	135	BT40-H63-55	HBIT63	RKCC7090	apr63	2.98
36901407AK	BT40-HBIT63-79 AK	90-110	12-22					RKCC90110		3.03
38901407AK	BT40-HBIT80-79 AK	90-130	4-24	79	135	BT40-H63-55	HBIT80	RKCC90130	apr80	3.47
38911407AK	BT40-HBIT80-79 AK	130-170	24-44					RKCC130170		3.54

訂貨編號 Order No.	規 格 Model	範 圍 D Boring Range øDMin-øDMax	M3	M	L	粗搪孔反搪系統組合 Adjustable Single Reverse Cutter Boring System				淨 重 N.W.		
						搪孔刀柄 Taper Shank	粗搪孔刀本體 Boring Head	粗搪孔反搪刀座 Reverse Cutting Insert Holder	反搪孔壓板 Apron			
32291509AK	BT50-HBIT25-90 AK	29-36	1-4	90	166	BT50-H25-115	HBIT25	RKCC2936	apr25	4.32		
32291511AK	BT50-HBIT25-115 AK	29-36	1-4	115	191	BT50-H25-140				4.47		
32291514AK	BT50-HBIT25-140 AK	29-36	1-4	140	216	BT50-H25-165				4.57		
32351509AK	BT50-HBIT25-90 AK	35-42	4-7	90	166	BT50-H25-115				4.33		
32351511AK	BT50-HBIT25-115 AK	35-42	4-7	115	191	BT50-H25-140				4.48		
32351514AK	BT50-HBIT25-140 AK	35-42	4-7	140	216	BT50-H25-165				4.58		
33361512AK	BT50-HBIT32-123 AK	36-45	1-5	123	196	BT50-H32-135	HBIT32	RKCC3645	apr32	4.91		
33361515AK	BT50-HBIT32-153 AK	36-45	1-5	153	226	BT50-H32-165				5.16		
33361518AK	BT50-HBIT32-188 AK	36-45	1-5	188	261	BT50-H32-200				5.36		
33441512AK	BT50-HBIT32-123 AK	44-53	5-9	123	196	BT50-H32-135				4.91		
33441515AK	BT50-HBIT32-153 AK	44-53	5-9	153	226	BT50-H32-165				5.16		
33441518AK	BT50-HBIT32-188 AK	44-53	5-9	188	261	BT50-H32-200				5.36		
34451511AK	BT50-HBIT40-119 AK	45-56	1-5	119	198	BT50-H40-135	HBIT40	RKCC4556	apr40	5.44		
34451516AK	BT50-HBIT40-169 AK	45-56	1-5	169	248	BT50-H40-185				5.99		
34451520AK	BT50-HBIT40-209 AK	45-56	1-5	209	288	BT50-H40-225				6.44		
34451524AK	BT50-HBIT40-249 AK	45-56	1-5	249	328	BT50-H40-265				6.84		
34551511AK	BT50-HBIT40-119 AK	55-66	6-12	119	198	BT50-H40-135				5.45		
34551516AK	BT50-HBIT40-169 AK	55-66	6-12	169	248	BT50-H40-185				6.00		
34551520AK	BT50-HBIT40-209 AK	55-66	6-12	209	288	BT50-H40-225	HBIT50	RKCC5566	apr50	6.45		
34551524AK	BT50-HBIT40-249 AK	55-66	6-12	249	328	BT50-H40-265				6.85		
35561508AK	BT50-HBIT50-84 AK	56-74	2-11	84	144	BT50-H50-65				RKCC5674	apr50	4.87
35561518AK	BT50-HBIT50-184 AK	56-74	2-11	184	244	BT50-H50-165						6.42
35561523AK	BT50-HBIT50-234 AK	56-74	2-11	234	294	BT50-H50-215						7.37
35561528AK	BT50-HBIT50-284 AK	56-74	2-11	284	344	BT50-H50-265						8.27
35741508AK	BT50-HBIT50-84 AK	74-92	11-17	84	144	BT50-H50-65	4.89					
35741518AK	BT50-HBIT50-184 AK	74-92	11-17	184	244	BT50-H50-165	6.44					
35741523AK	BT50-HBIT50-234 AK	74-92	11-17	234	294	BT50-H50-215	HBIT63	RKCC7492	apr63	7.39		
35741528AK	BT50-HBIT50-284 AK	74-92	11-17	284	344	BT50-H50-265				8.29		
36701509AK	BT50-HBIT63-99 AK	70-90	2-12	99	165	BT50-H63-85				RKCC7090	apr63	6.04
36701517AK	BT50-HBIT63-179 AK	70-90	2-12	179	245	BT50-H63-165						7.94
36701522AK	BT50-HBIT63-229 AK	70-90	2-12	229	295	BT50-H63-215						9.49
36701527AK	BT50-HBIT63-279 AK	70-90	2-12	279	345	BT50-H63-265						10.44
36701532AK	BT50-HBIT63-329 AK	70-90	2-12	329	395	BT50-H63-315	13.69					
36901509AK	BT50-HBIT63-99 AK	90-110	12-22	99	165	BT50-H63-85	RKCC90110	apr63	6.09			
36901517AK	BT50-HBIT63-179 AK	90-110	12-22	179	245	BT50-H63-165			7.99			
36901522AK	BT50-HBIT63-229 AK	90-110	12-22	229	295	BT50-H63-215			9.54			
36901527AK	BT50-HBIT63-279 AK	90-110	12-22	279	345	BT50-H63-265			10.49			
36901532AK	BT50-HBIT63-329 AK	90-110	12-22	329	395	BT50-H63-315			13.74			
38901509AK	BT50-HBIT80-99 AK	90-130	4-24	99	165	BT50-H63-85			HBIT80	RKCC90130	apr80	6.53
38901517AK	BT50-HBIT80-179 AK	90-130	4-24	179	245	BT50-H63-165	8.43					
38901522AK	BT50-HBIT80-229 AK	90-130	4-24	229	295	BT50-H63-215	9.98					
38901527AK	BT50-HBIT80-279 AK	90-130	4-24	279	345	BT50-H63-265	10.93					
38901532AK	BT50-HBIT80-329 AK	90-130	4-24	329	395	BT50-H63-315	14.18					
38911509AK	BT50-HBIT80-99 AK	130-170	24-44	99	165	BT50-H63-85	RKCC130170	apr80				6.60
38911517AK	BT50-HBIT80-179 AK	130-170	24-44	179	245	BT50-H63-165			8.50			
38911522AK	BT50-HBIT80-229 AK	130-170	24-44	229	295	BT50-H63-215			10.05			
38911527AK	BT50-HBIT80-279 AK	130-170	24-44	279	345	BT50-H63-265			11.00			
38911532AK	BT50-HBIT80-329 AK	130-170	24-44	329	395	BT50-H63-315			14.25			
39131515AK	BT50-HBIT120-150 AK	130-190	4-34	150	200	BT50-H100-100			HBIT120	RKCC130190	apr120	12.44
39131520AK	BT50-HBIT120-200 AK	130-190	4-34	200	250	BT50-H100-150	15.09					
39131525AK	BT50-HBIT120-250 AK	130-190	4-34	250	300	BT50-H100-200	18.04					
39131530AK	BT50-HBIT120-300 AK	130-190	4-34	300	350	BT50-H100-250	20.99					
39171515AK	BT50-HBIT120-150 AK	170-230	24-54	150	200	BT50-H100-100	RKCC170230	apr120				12.54
39171520AK	BT50-HBIT120-200 AK	170-230	24-54	200	250	BT50-H100-150						15.19
39171525AK	BT50-HBIT120-250 AK	170-230	24-54	250	300	BT50-H100-200			18.14			
39171530AK	BT50-HBIT120-300 AK	170-230	24-54	300	350	BT50-H100-250			21.09			



H•BOR 極細微調精搪孔刀系統
H•BOR Micro-Finishing Cutter Fine Boring System





精搪孔刀桿

Cutting Bar

H•BOR50 - P41

H•BOR63 - P43

精搪孔刀座

Cutting Insert Holder

H•BOR-SRTP - P35

精搪孔反搪刀座

Reverse Cutting Insert Holder

H•BOR-FKTP - P36

高速切削搪孔平衡系統

High Speed Cutting Boring System

H•BOR25P - P37

H•BOR32P - P38

H•BOR40P - P39

H•BOR50P - P40

H•BOR63P - P42

搪外徑系統-"反轉"切削

Outer Diameter Boring System - Reverse Cutting

H•BOR63-BM16D - P44

精搪孔刀本體 Body
 精搪孔刀桿 Cutting Bar
 精搪孔刀座 Cutting Insert Holder
 精搪孔反搪刀座 Reverse Cutting Insert Holder



H•BOR 極細微調精搪孔刀—精搪孔刀本體 Body for H•BOR Micro-Finishing Cutter Fine Boring

訂貨編號 Order No.	規格 Model	h	d	Front	Rear	X	MA Bolt	MB Bolt	淨重 N.W.
51000025	HBOR25	25	14	1	1	42	M5x12		0.15
51000032	HBOR32	32	18	2	2	52	M6x12		0.35
51000040	HBOR40	40	22	2	2	53	M6x12		0.50
51000050	HBOR50	50	28	2	2	63	BM8		0.92
51000063	HBOR63	63	36	4	4	63	BM8	M8x14	1.52

H•BOR 極細微調精搪孔刀—精搪孔刀桿 Cutting Bar for H•BOR50 and H•BOR63 Micro-Finishing Cutter Fine Boring

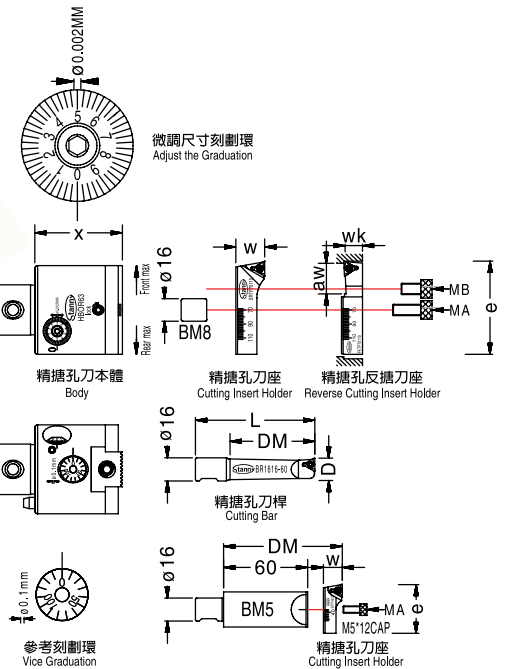
訂貨編號 Order No.	規格 Model	範圍 D Boring Range øDMin-øDMax	深度 DM	L	系統 System	刀片 Insert	螺絲 Bolt	板手 Wrench	淨重 N.W.
50160621	BR1606-21	6-9	21	54	HBOR50 HBOR63	WBGT0601..L	SB-1STR-M2	T6	0.04
50160828	BR1608-28	8-11	28	59		TBGT0601..L			0.04
50161035	BR1610-35	10-13	35	65					0.05
50161242	BR1612-42	12-15	42	70		TPGH0902..L	SB-2TR-M2.5	T8	0.06
50161450	BR1614-50	14-17	50	77					0.07
50161660	BR1616-60	16-20	60	85					0.09
50162065	BR1620-65	20-24	65	88					0.11
50162468	BR1624-68	24-28	68	91		TPGH1103..L	SB-3TR-M3		0.12
50162505	BM5		60 + SRTP2938 or SRTP3652 or SRTP4468			M5x12CAP	4	0.25	
50501608	BM8		+SRTP5790 or SRTP70110 or SRTP110150			M8x20CAP	6	0.03	

H•BOR 極細微調精搪孔刀—精搪孔刀座 Cutting Insert Holder for H•BOR Micro-Finishing Cutter Fine Boring

訂貨編號 Order No.	規格 Model	範圍 D Boring Range øDMin-øDMax	W	e	系統 System	刀片 Insert	螺絲 Bolt	板手 Wrench	淨重 N.W.
50252938	SRTP2938	29-38	11	27	HBOR25	TPGH0902..L	SB-2TR-M2.5	T8	0.01
50323652	SRTP3652	36-52	13	35	HBOR32				0.02
50404468	SRTP4468	44-68	13	43	HBOR40				0.03
50505790	SRTP5790	57-90	20	54	HBOR50				0.10
50637011	SRTP70110	70-110	20	66	HBOR63	TPGH1103..L	SB-3TR-M3	0.10	
50637115	SRTP110150	110-150	20	106	HBOR63			0.21	

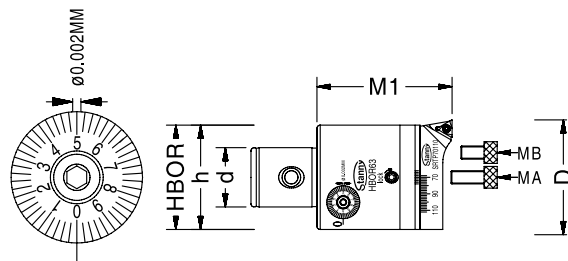
H•BOR 極細微調精搪孔刀—精搪孔反搪刀座 Reverse Cutting Insert Holder for H•BOR Micro-Finishing Cutter Fine Boring

訂貨編號 Order No.	規格 Model	範圍 D Boring Range øDMin-øDMax	aw	wk	e	系統 System	刀片 Insert	螺絲 Bolt	板手 Wrench	淨重 N.W.	
50252938K	FKTP2938	29-38	6	11	27	HBOR25	TPGH0902..R	SB-2TR-M2.5	T8	0.01	
50323652K	FKTP3652	36-52	10	11	35	HBOR32				0.02	
50404468K	FKTP4468	44-68	12	11	43	HBOR40				0.03	
50505790K	FKTP5790	57-90	14	15	54	HBOR50				0.10	
50637011K	FKTP70110	70-110	16	15	66	HBOR63				TPGH1103..R	0.10
50637115K	FKTP110150	110-150	25	15	106						0.21



精搪孔刀本體、精搪孔刀座 Body and Cutting Insert Holder

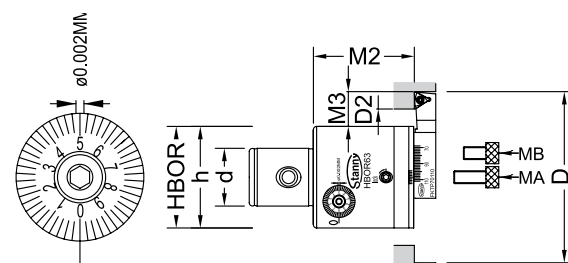
精搪孔刀本體、精搪孔反搪刀座 Body and Reverse Cutting Insert Holder



H•BOR 極細微調精搪孔刀

H•BOR Micro-Finishing Cutter Fine Boring Head

訂貨編號 Order No.	規格 Model	範圍 D Boring Range $\phi\text{DMin}-\phi\text{DMax}$	M1	h	精搪孔系統組合 Micro-Finishing Cutter Fine Boring System				淨重 N.W.
					精搪孔刀本體 Boring Head	MA Bolt	MB Bolt	精搪孔刀座 Cutting Insert Holder	
52290000	HBOR25 M	29-38	50	25	HBOR25	M5×12		SRTP2938	0.16
53360000	HBOR32 M	36-52	63	32	HBOR32	M6×12		SRTP3652	0.37
54440000	HBOR40 M	44-68	63	40	HBOR40	M6×12		SRTP4468	0.53
55570000	HBOR50 BM	57-90	80	50	HBOR50	BM8×20		SRTP5790	1.05
56700000	HBOR63 BM	70-110	80	63	HBOR63	BM8×20	M8×14	SRTP70110	1.65
56710000	HBOR63 BM	110-150	80	63	HBOR63	BM8×20	M8×14	SRTP110150	1.76



$$\text{下刀徑: } D2 \geq \frac{D + \text{HBOR}}{2}$$

H•BOR 極細微調精搪孔反搪孔刀

H•BOR Micro-Finishing Cutter for Reverse Fine Boring System

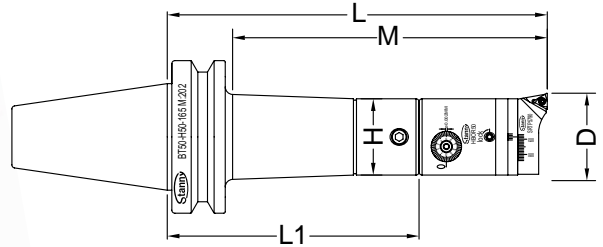
訂貨編號 Order No.	規格 Model	範圍 D Boring Range $\phi\text{DMin}-\phi\text{DMax}$	M3	M2	h	精搪孔反搪系統組合 Micro-Finishing Cutter for Reverse Boring System				淨重 N.W.
						精搪孔刀本體 Boring Head	MA Bolt	MB Bolt	精搪孔反搪刀座 Reverse Cutting Insert Holder	
52290000K	HBOR25 MK	29-38	1-5	50	25	HBOR25	M5×12		FKTP2938	0.16
53360000K	HBOR32 MK	36-52	1-9	63	32	HBOR32	M6×12		FKTP3652	0.37
54440000K	HBOR40 MK	44-68	1-13	63	40	HBOR40	M6×12		FKTP4468	0.53
55570000K	HBOR50 BMK	57-90	2-19	80	50	HBOR50	BM8×20		FKTP5790	1.02
56700000K	HBOR63 BMK	70-110	2-22	80	63	HBOR63	BM8×20	M8×14	FKTP70110	1.62
56710000K	HBOR63 BMK	110-150	22-42	80	63	HBOR63	BM8×20	M8×14	FKTP110150	1.73

H•BOR

極細微調精搪孔刀

Micro-Finishing Cutter Fine Boring System

搪孔刀柄、精搪孔刀本體、精搪孔刀座 Taper Shank, Body and Cutting Insert Holder



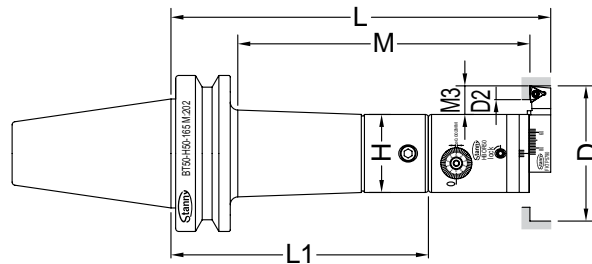
整支 SET

MAS403 BT-H•BOR 極細微調精搪孔刀

MAS403 BT and H•BOR Micro-Finishing Cutter Fine Boring Head

訂貨編號 Order No.	規格 Model	範圍 D Boring Range øDMin-øDMax	M	L	精搪孔系統組合 Micro-Finishing Cutter Fine Boring System				淨重 N.W.
					搪孔刀柄 Taper Shank	精搪孔刀本體 Boring Head	連接器 Connector	精搪孔刀座 Cutting Insert Holder	
52291306	BT30-HBOR25-60	M 29-38	60	85	BT30-H25-35	HBOR25	M5	SRTP2938	0.56
52291307	BT30-HBOR25-75	M 29-38	75	105	BT30-H25-55				0.62
53361307	BT30-HBOR32-75	M 36-52	93	98	BT30-H32-35	HBOR32	M6	SRTP3652	0.82
53361309	BT30-HBOR32-93	M 36-52	93	118	BT30-H32-55				0.79
54441307	BT30-HBOR40-75	M 44-68	75	98	BT30-H40-35	HBOR40	M6	SRTP4468	0.98
54441309	BT30-HBOR40-93	M 44-68	93	118	BT30-H40-55				0.95
55571309	BT30-HBOR50-93	BM 57-90	93	125	BT30-H50-45	HBOR50	BM8	SRTP5790	1.33
52291406	BT40-HBOR25-60	M 29-38	60	90	BT40-H25-40	HBOR25	M5	SRTP2938	1.16
52291409	BT40-HBOR25-90	M 29-38	90	122	BT40-H25-72				1.28
52291412	BT40-HBOR25-123	M 29-38	123	150	BT40-H25-100				1.63
53361407	BT40-HBOR32-75	M 36-52	75	103	BT40-H32-40	HBOR32	M6	SRTP3652	1.37
53361410	BT40-HBOR32-102	M 36-52	102	135	BT40-H32-72				1.57
53361415	BT40-HBOR32-150	M 36-52	150	183	BT40-H32-120	HBOR40	M6	SRTP4468	1.92
54441407	BT40-HBOR40-73	M 44-68	73	103	BT40-H40-40				1.58
54441410	BT40-HBOR40-102	M 44-68	102	135	BT40-H40-72	HBOR40	M6	SRTP4468	1.84
54441416	BT40-HBOR40-162	M 44-68	162	193	BT40-H40-130				2.48
55571410	BT40-HBOR50-102	BM 57-90	102	130	BT40-H50-50	HBOR50	BM8	SRTP5790	1.91
55571418	BT40-HBOR50-182	BM 57-90	182	210	BT40-H50-130				3.25
56701410	BT40-HBOR63-102	BM 70-110	102	135	BT40-H63-55	HBOR63	BM8	SRTP70110	2.51
56711410	BT40-HBOR63-102	BM 110-150							2.60
52291510	BT50-HBOR25-102	M 29-38	102	165	BT50-H25-115	HBOR25	M5	SRTP2938	4.31
52291512	BT50-HBOR25-127	M 29-38	127	190	BT50-H25-140				4.46
52291515	BT50-HBOR25-152	M 29-38	152	215	BT50-H25-165				4.56
53361513	BT50-HBOR32-135	M 36-52	135	198	BT50-H32-135	HBOR32	M6	SRTP3652	4.92
53361516	BT50-HBOR32-165	M 36-52	165	228	BT50-H32-165				5.17
53361520	BT50-HBOR32-200	M 36-52	200	263	BT50-H32-200	HBOR40	M6	SRTP4468	5.37
54441513	BT50-HBOR40-135	M 44-68	135	198	BT50-H40-135				5.43
54441518	BT50-HBOR40-185	M 44-68	185	248	BT50-H40-185	HBOR40	M6	SRTP4468	5.98
54441522	BT50-HBOR40-225	M 44-68	225	288	BT50-H40-225				6.43
54441526	BT50-HBOR40-265	M 44-68	265	328	BT50-H40-265	HBOR50	BM8	SRTP5790	6.83
55571510	BT50-HBOR50-102	BM 57-90	102	145	BT50-H50-65				4.56
55571520	BT50-HBOR50-202	BM 57-90	202	245	BT50-H50-165	HBOR50	BM8	SRTP5790	6.11
55571525	BT50-HBOR50-252	BM 57-90	252	295	BT50-H50-215				7.06
55571530	BT50-HBOR50-302	BM 57-90	302	345	BT50-H50-265	HBOR63	BM8	SRTP70110	8.22
56701512	BT50-HBOR63-122	BM 70-110	122	165	BT50-H63-85				5.57
56701520	BT50-HBOR63-202	BM 70-110	202	245	BT50-H63-165	HBOR63	BM8	SRTP70110	7.47
56701525	BT50-HBOR63-252	BM 70-110	252	295	BT50-H63-215				9.02
56701530	BT50-HBOR63-302	BM 70-110	302	345	BT50-H63-265	HBOR63	BM8	SRTP70110	9.97
56701535	BT50-HBOR63-352	BM 70-110	352	395	BT50-H63-315				13.22
56711512	BT50-HBOR63-122	BM 110-150	122	165	BT50-H63-85	HBOR63	BM8	SRTP110150	5.66
56711520	BT50-HBOR63-202	BM 110-150	202	245	BT50-H63-165				7.56
56711525	BT50-HBOR63-252	BM 110-150	252	295	BT50-H63-215	HBOR63	BM8	SRTP110150	9.11
56711530	BT50-HBOR63-302	BM 110-150	302	345	BT50-H63-265				10.06
56711535	BT50-HBOR63-352	BM 110-150	352	395	BT50-H63-315	13.31			

搪孔刀柄、精搪孔刀本體、精搪孔反搪刀座 Taper Shank, Body and Reverse Cutting Insert Holder



$$\text{下刀徑: } D2 \geq \frac{D+HBOR}{2}$$

整支 SET

MAS403 BT-H•BOR 極細微調精搪孔刀－反搪

MAS403 BT and H•BOR Micro-Finishing Cutter for Reverse Fine Boring System

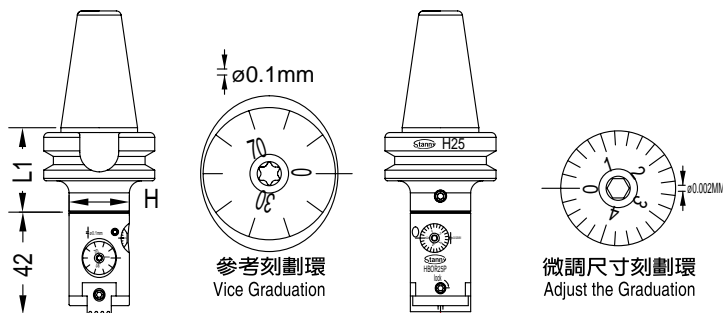
訂貨編號 Order No.	規格 Model	範圍 D Boring Range øDMin-øDMax	M3	M	L	精搪孔反搪系統組合 Micro-Finishing Cutter for Reverse Fine Boring System				淨重 N.W.
						搪孔刀柄 Taper Shank	精搪孔刀本體 Boring Head	連接器 Connector	精搪孔反搪刀座 Reverse Cutting Insert Holder	
52291304K	BT30-HBOR25-49	MK 29-38	1-5	49	60	BT30-H25-35	HBOR25	M5	FKTP2938	0.56
52291306K	BT30-HBOR25-64	MK 29-38	1-5	64	75	BT30-H25-55				0.65
53361306K	BT30-HBOR32-62	MK 36-52	1-9	62	73	BT30-H32-35	HBOR32	M6	FKTP3652	0.82
53361308K	BT30-HBOR32-80	MK 36-52	1-9	80	91	BT30-H32-55				0.91
54441306K	BT30-HBOR40-62	MK 44-68	1-13	62	73	BT30-H40-35	HBOR40	M6	FKTP4468	0.98
54441308K	BT30-HBOR40-80	MK 44-68	1-13	80	91	BT30-H40-55				1.16
55571307K	BT30-HBOR50-73	BMK 57-90	2-19	73	88	BT30-H50-45	HBOR50	BM8	FKTP5790	1.59
56701307K	BT30-HBOR63-73	BMK 70-110	2-22	73	88	BT30-H63-65				2.53
52291404K	BT40-HBOR25-49	MK 29-38	1-5	49	60	BT40-H25-40	HBOR25	M5	FKTP2938	1.16
52291407K	BT40-HBOR25-79	MK 29-38	1-5	79	90	BT40-H25-72				1.28
52291411K	BT40-HBOR25-112	MK 29-38	1-5	112	123	BT40-H25-100				1.63
53361406K	BT40-HBOR32-62	MK 36-52	1-9	62	73	BT40-H32-40	HBOR32	M6	FKTP3652	1.37
53361408K	BT40-HBOR32-89	MK 36-52	1-9	89	100	BT40-H32-72				1.57
53361413K	BT40-HBOR32-137	MK 36-52	1-9	137	148	BT40-H32-120	HBOR40	M6	FKTP4468	1.92
54441406K	BT40-HBOR40-60	MK 44-68	1-13	60	71	BT40-H40-40				1.58
54441408K	BT40-HBOR40-89	MK 44-68	1-13	89	100	BT40-H40-72				1.84
54441414K	BT40-HBOR40-149	MK 44-68	1-13	149	160	BT40-H40-130	HBOR50	BM8	FKTP5790	2.48
55571408K	BT40-HBOR50-82	BMK 57-90	2-19	82	97	BT40-H50-50				2.17
55571416K	BT40-HBOR50-162	BMK 57-90	2-19	162	177	BT40-H50-130	HBOR63	BM8	FKTP70110	3.22
56701408K	BT40-HBOR63-82	BMK 70-110	2-22	82	97	BT40-H63-55				2.86
56711408K	BT40-HBOR63-82	BMK 110-150	22-42	82	97					FKTP110150
52291509K	BT50-HBOR25-91	MK 29-38	1-5	91	102	BT50-H25-115	HBOR25	M5	FKTP2938	4.31
52291511K	BT50-HBOR25-116	MK 29-38	1-5	116	127	BT50-H25-140				4.46
52291514K	BT50-HBOR25-141	MK 29-38	1-5	141	152	BT50-H25-165				4.56
53361512K	BT50-HBOR32-122	MK 36-52	1-9	122	133	BT50-H32-135	HBOR32	M6	FKTP3652	4.92
53361515K	BT50-HBOR32-152	MK 36-52	1-9	152	163	BT50-H32-165				5.17
53361518K	BT50-HBOR32-187	MK 36-52	1-9	187	198	BT50-H32-200	HBOR40	M6	FKTP4468	5.37
54441512K	BT50-HBOR40-122	MK 44-68	1-13	122	133	BT50-H40-135				5.43
54441517K	BT50-HBOR40-172	MK 44-68	1-13	172	183	BT50-H40-185				5.98
54441521K	BT50-HBOR40-212	MK 44-68	1-13	212	223	BT50-H40-225	HBOR50	M6	FKTP4468	6.43
54441525K	BT50-HBOR40-252	MK 44-68	1-13	252	263	BT50-H40-265				6.83
55571508K	BT50-HBOR50-82	BMK 57-90	2-19	82	97	BT50-H50-65	HBOR50	BM8	FKTP5790	4.82
55571518K	BT50-HBOR50-182	BMK 57-90	2-19	182	197	BT50-H50-165				6.37
55571523K	BT50-HBOR50-232	BMK 57-90	2-19	232	247	BT50-H50-215				7.32
55571528K	BT50-HBOR50-282	BMK 57-90	2-19	282	297	BT50-H50-265	HBOR63	BM8	FKTP70110	8.22
56701510K	BT50-HBOR63-102	BMK 70-110	2-22	102	117	BT50-H63-85				5.92
56701518K	BT50-HBOR63-182	BMK 70-110	2-22	182	197	BT50-H63-165				7.82
56701523K	BT50-HBOR63-232	BMK 70-110	2-22	232	247	BT50-H63-215	HBOR63	BM8	FKTP70110	9.37
56701528K	BT50-HBOR63-282	BMK 70-110	2-22	282	297	BT50-H63-265				10.32
56701533K	BT50-HBOR63-332	BMK 70-110	2-22	332	347	BT50-H63-315				13.57
56711510K	BT50-HBOR63-102	BMK 110-150	22-42	102	117	BT50-H63-85	HBOR63	BM8	FKTP110150	6.03
56711518K	BT50-HBOR63-182	BMK 110-150	22-42	182	197	BT50-H63-165				7.93
56711523K	BT50-HBOR63-232	BMK 110-150	22-42	232	247	BT50-H63-215				9.48
56711528K	BT50-HBOR63-282	BMK 110-150	22-42	282	297	BT50-H63-265	HBOR63	BM8	FKTP110150	10.43
56711533K	BT50-HBOR63-332	BMK 110-150	22-42	335	393	BT50-H63-315				13.68

H•BOR25P

極細微調精搪孔系統

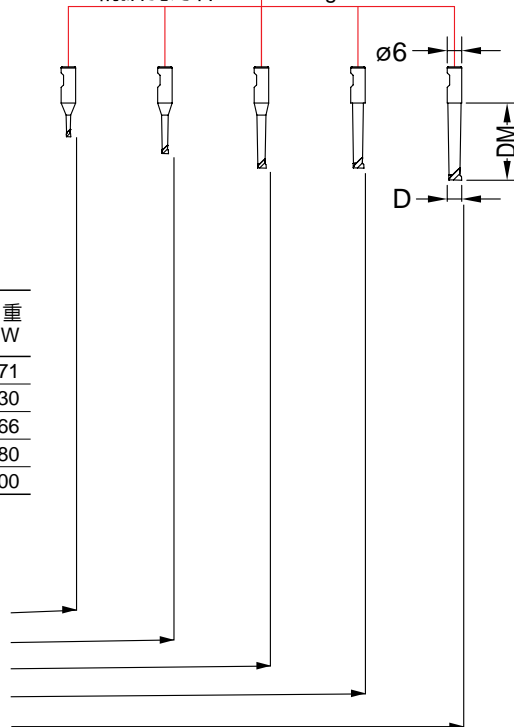
Micro-Finishing Cutter Fine Boring System

整組SET G2.5 12000rpm $\phi 2\sim\phi 7$



MAX 1mm ← → MAX 1mm

精搪孔刀桿 Cutting Bar



訂貨編號 Order No.	規格 Model	範圍 D Boring Range $\phi D_{Min}\sim\phi D_{Max}$	組合系統-主軸柄規格 Taper Shank		L1	淨重 N.W
52601303	BT30-HBOR25P	2-7	H25	MAS403 BT30-H25-35	35	0.71
52601404	BT40-HBOR25P	2-7	H25	MAS403 BT40-H25-40	40	1.30
52602303	SK30-HBOR25P	2-7	H25	DIN69871A ISO30-H25-30	30	0.66
52602403	SK40-HBOR25P	2-7	H25	DIN69871A ISO40-H25-30	30	0.80
52604603	HSK63-HBOR25P	2-7	H25	DIN69893A HSK63-H25-40	40	1.00

訂貨編號 Order No.	精搪孔刀桿 Cutting Bar	範圍 D Boring Range $\phi D_{Min}\sim\phi D_{Max}$	深度 DM	淨重 N.W
50060209 (T)	CA0602-09	2-3.2	9	0.01
50060316 (T)	CA0603-16	3-4.2	16	0.01
50060422 (T)	CA0604-22	4-5.2	22	0.02
50060527 (T)	CA0605-27	5-6.2	27	0.02
50060632 (T)	CA0606-32	6-7.2	32	0.02

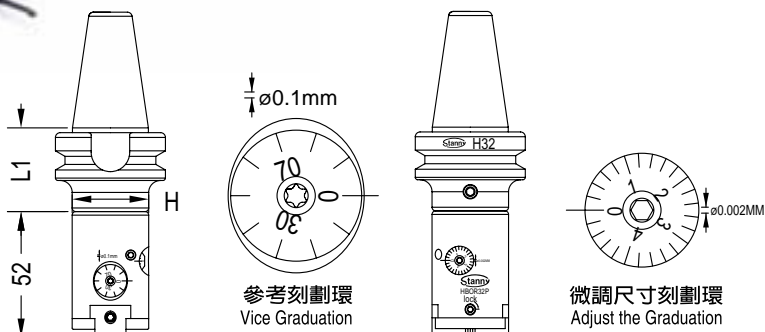
(T: 鎢鋼塗層 Carbide Coating)

H•BOR32P

極細微調精搪孔系統

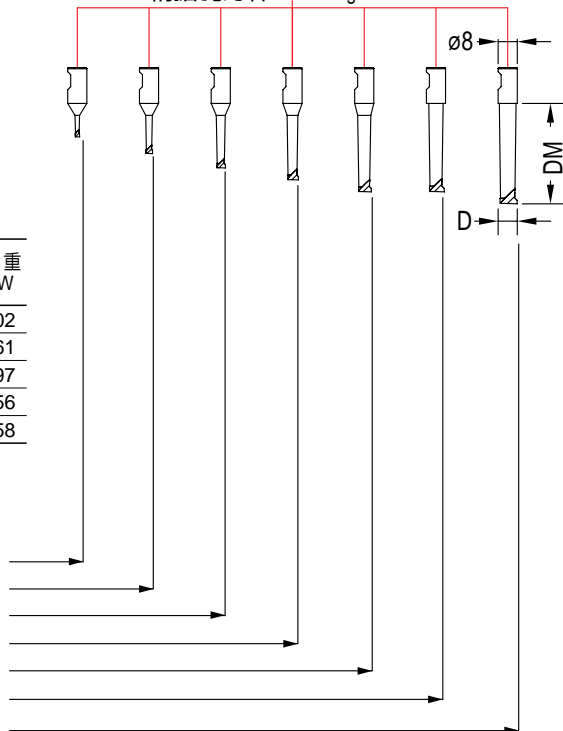
Micro-Finishing Cutter Fine Boring System

整組SET G2.5 12000rpm $\phi 2\sim\phi 9$



MAX 2mm ← → MAX 2mm

精搪孔刀桿 Cutting Bar



訂貨編號 Order No.	規格 Model	範圍 D Boring Range $\phi D_{Min}\sim\phi D_{Max}$	組合系統-主軸柄規格 Taper Shank		L1	淨重 N.W
53801303	BT30-HBOR32P	2-9	H32	MAS403 BT30-H32-35	35	1.02
53801404	BT40-HBOR32P	2-9	H32	MAS403 BT40-H32-40	40	1.61
53802303	SK30-HBOR32P	2-9	H32	DIN69871A ISO30-H32-35	35	0.97
53802403	SK40-HBOR32P	2-9	H32	DIN69871A ISO40-H32-35	35	1.56
53804604	HSK63-HBOR32P	2-9	H32	DIN69893A HSK63-H32-40	40	1.58

訂貨編號 Order No.	精搪孔刀桿 Cutting Bar	範圍 D Boring Range $\phi D_{Min}\sim\phi D_{Max}$	深度 DM	淨重 N.W
50080209 (T)	CA0802-09	2-3.2	9	0.03
50080316 (T)	CA0803-16	3-4.2	16	0.03
50080422 (T)	CA0804-22	4-5.2	22	0.03
50080527 (T)	CA0805-27	5-6.2	27	0.04
50080632 (T)	CA0806-32	6-7.2	32	0.04
50080737 (T)	CA0807-37	7-8.2	37	0.04
50080842 (T)	CA0808-42	8-9.2	42	0.05

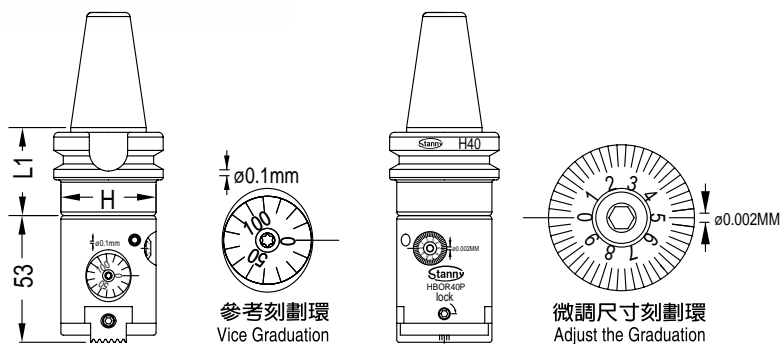
(T: 鎢鋼塗層 Carbide Coating)

H•BOR40P

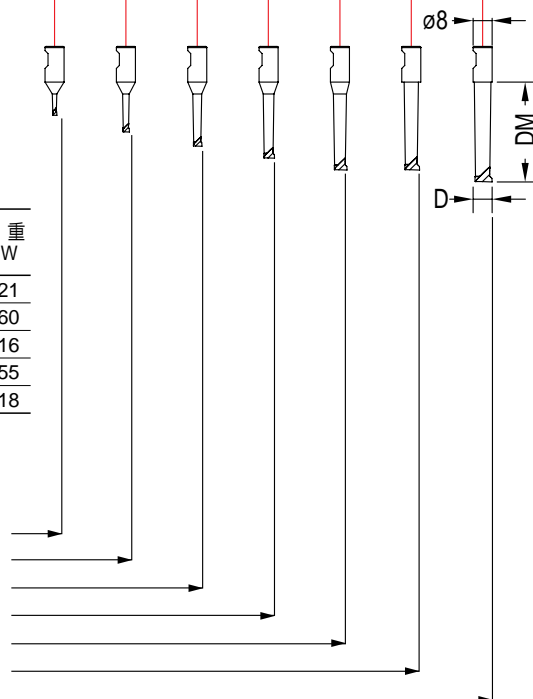
極細微調精搪孔系統

Micro-Finishing Cutter Fine Boring System

整組SET G2.5 12000rpm $\phi 2\sim\phi 9$



MAX 2mm ← → MAX 2mm
精搪孔刀桿 Cutting Bar



訂貨編號 Order No.	規格 Model	範圍 D Boring Range $\phi D_{Min}\sim\phi D_{Max}$	組合系統-主軸柄規格 Taper Shank		L1	淨重 N.W
54801303	BT30-HBOR40P	2-9	H40	MAS403 BT30-H40-35	35	1.21
54801404	BT40-HBOR40P	2-9	H40	MAS403 BT40-H40-40	40	1.60
54802303	SK30-HBOR40P	2-9	H40	DIN69871A ISO30-H40-35	35	1.16
54802403	SK40-HBOR40P	2-9	H40	DIN69871A ISO40-H40-35	35	1.55
54804604	HSK63-HBOR40P	2-9	H40	DIN69893A HSK63-H40-45	45	1.18

訂貨編號 Order No.	精搪孔刀桿 Cutting Bar	範圍 D Boring Range $\phi D_{Min}\sim\phi D_{Max}$	深度 DM	淨重 N.W
50080209 (T)	CA0802-09	2-3.2	9	0.03
50080316 (T)	CA0803-16	3-4.2	16	0.03
50080422 (T)	CA0804-22	4-5.2	22	0.03
50080527 (T)	CA0805-27	5-6.2	27	0.04
50080632 (T)	CA0806-32	6-7.2	32	0.04
50080737 (T)	CA0807-37	7-8.2	37	0.04
50080842 (T)	CA0808-42	8-9.2	42	0.05

(T : 鎢鋼塗層 Carbide Coating)

H•BOR50P

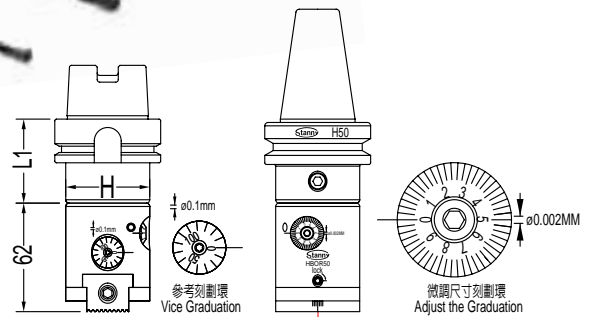
極細微調精搪孔系統

Micro-Finishing Cutter Fine Boring System

整組SET G2.5 12000rpm $\phi 11 \sim \phi 32$



訂貨編號 Order No.	規格 Model	範圍 D Boring Range $\phi D_{Min} - \phi D_{Max}$	組合系統-主軸柄規格 Taper Shank	L1	淨重 N.W.
55801304	BT30-HBOR50P	11-32	H50 MAS403 BT30-H50-45	45	2.28
55801405	BT40-HBOR50P	11-32	H50 MAS403 BT40-H50-50	50	2.86
55801506	BT50-HBOR50P	11-32	H50 MAS403 BT50-H50-65	65	5.51
55802305	SK30-HBOR50P	11-32	H50 DIN69871A ISO30-H50-55	55	2.41
55802405	SK40-HBOR50P	11-32	H50 DIN69871A ISO40-H50-50	50	2.83
55802505	SK50-HBOR50P	11-32	H50 DIN69871A ISO50-H50-50	50	5.06
55804605	HSK63-HOBR50P	11-32	H50 DIN69893A HSK63-H50-50	50	2.57



套筒 Sleeve

訂貨編號 Order No.	規格 Model	內徑 Inner	L	A螺絲 A-Bolt	鎢鋼柄 Carbide Shank	淨重 N.W.
50081610	BC1610	$\phi 10$	34	M8	CM10	0.06
50081612	BC1612	$\phi 12$			CM12	0.05

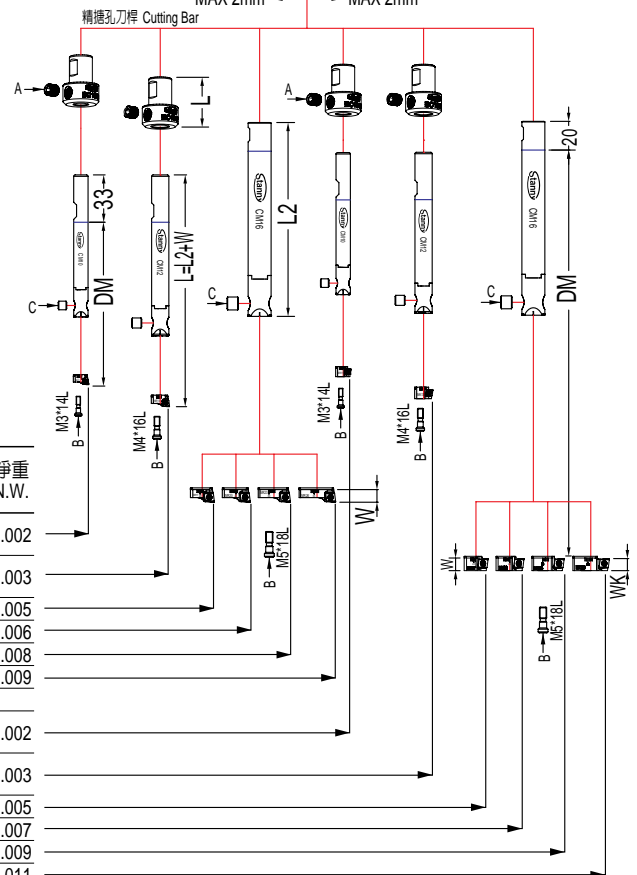
鎢鋼柄 Carbide Shank

訂貨編號 Order No.	規格 Model	外徑 Outer	L2	C導程螺帽 C-Lead Bolt	B螺絲 B-Bolt	淨重 N.W.
50071009	CM10	$\phi 10$	99	$\phi 6 \times 6L$	M3-CM10	0.10
50071211	CM12	$\phi 12$	112	$\phi 7 \times 7L$	M4-CM12	0.16
50071613	CM16	$\phi 16$	135	$\phi 9 \times 9L$	M5-CM16	0.35

MR (正搪) 和MK (反搪) 搪孔刀座

MR and MK (Reverse) Cutting Insert Holder

訂貨編號 Order No.	規格 Model	範圍 D Boring Range $\phi D_{Min} - \phi D_{Max}$	刀座高度		深度 DM	L	鎢鋼柄 Carbide Shank	套筒 Sleeve	刀片 Insert	螺絲 Bolt	扳手 Wrench	淨重 N.W.
			W	WK								
50061114	MR11	11-14.5	6		72	105	CM10	BC1610	CCGT 0301..L	SB-1630TR M1.6	T6	0.002
50061317	MR13	13-17.5	7		86	119	CM12	BC1612	CCGT 0401..L	SB-2040TR M2	T6	0.003
50061723	MR17	17-23.5	9		124	144	CM16		CCGT 0602..FL	SB-2545TR M2.5	T8	0.005
50062026	MR20	20-26.5										0.006
50062329	MR23	23-29.5										0.008
50062632	MR26	26-32.5										0.009
50051114	MK11	11-14.5										7
50051317	MK13	13-17.5	8	7	72	120	CM12	BC1612	CCGT 0401..R	SB-2040TR M2	T6	0.003
50051723	MK17	17-23.5	10	9	115	145	CM16		CCGT 0602..FR	SB-2545TR M2.5	T8	0.005
50052026	MK20	20-26.5										0.007
50052329	MK23	23-29.5										0.009
50052632	MK26	26-32.5										0.011



H•BOR50

極細微調精搪孔系統

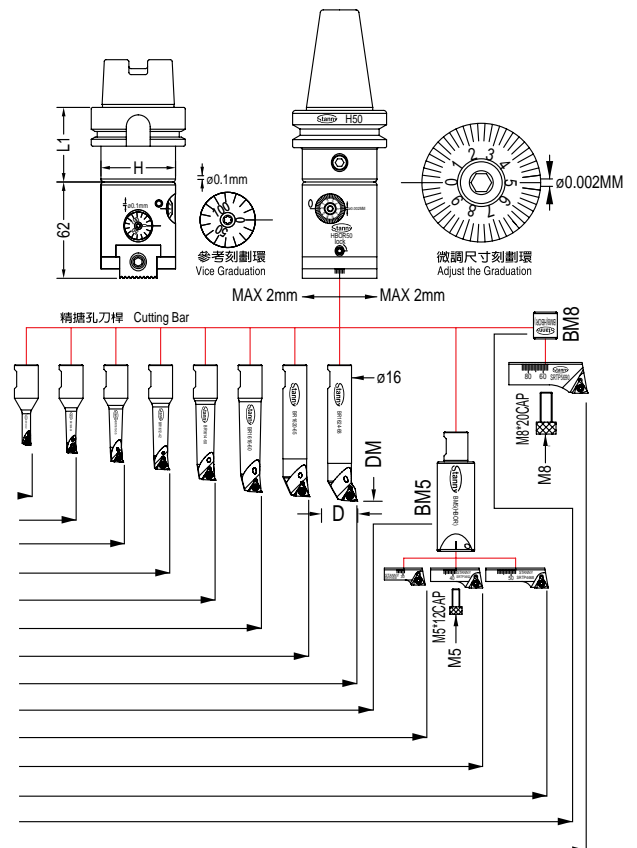
Micro-Finishing Cutter Fine Boring System

整組SET $\phi 6 \sim \phi 90$



訂貨編號 Order No.	規格 Model	範圍 D Boring Range $\phi D_{Min} \sim \phi D_{Max}$	組合系統-主軸柄規格 Taper Shank		L1	淨重 N.W.
55901309	BT30-HBOR50	6-90	H50	MAS403 BT30-H50-45	45	6.7
55901410	BT40-HBOR50	6-90	H50	MAS403 BT40-H50-50	50	7.3
55901510	BT50-HBOR50	6-90	H50	MAS403 BT50-H50-65	65	9.9
55902309	SK30-HBOR50	6-90	H50	DIN69871A ISO30-H50-55	55	6.8
55902410	SK40-HBOR50	6-90	H50	DIN69871A ISO40-H50-50	50	7.3
55902510	SK50-HBOR50	6-90	H50	DIN69871A ISO50-H50-50	50	9.5
55904610	HSK63-HBOR50	6-90	H50	DIN69893A HSK63-H50-50	50	7.0

訂貨編號 Order No.	精搪孔刀桿 Cutting Bar	範圍 D Boring Range $\phi D_{Min} \sim \phi D_{Max}$	深度 DM	刀片 Insert	螺絲 Bolt	板手 Wrench	淨重 N.W.
50160621	BR1606-21	6-9	21	WBG0601..L	SB-1STR-M2	T6	0.04
50160828	BR1608-28	8-11	28	TBGT0601..L			0.04
50161035	BR1610-35	10-13	35				0.05
50161242	BR1612-42	12-15	42	TPGH0902..L	SB-2TR-M2.5	T8	0.06
50161450	BR1614-50	14-17	50				0.07
50161660	BR1616-60	16-20	60				0.09
50162065	BR1620-65	20-24	65	TPGH1103..L	SB-3TR-M3	T8	0.11
50162468	BR1624-68	24-28	68				0.12
50162505	BM5		60 + SRTP2938 or SRTP3652 or SRTP4468		M5x12CAP	4	0.25
50252938	SRTP2938	29-38	+10	TPGH0902..L	SB-2TR-M2.5	T8	0.01
50323652	SRTP3652	36-52	+12				0.02
50404468	SRTP4468	44-68	+12				0.03
50501608	BM8		+SRTP5790				M8x20CAP
50505790	SRTP5790	57-90	+20	TPGH1103..L	SB-3TR-M3	T8	0.10



H•BOR63P

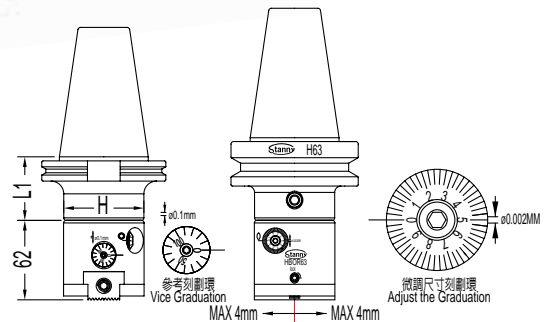
極細微調精搪孔系統

Micro-Finishing Cutter Fine Boring System

整組SET G2.5 12000rpm $\phi 11 \sim \phi 32$



訂貨編號 Order No.	規格 Model	範圍D Boring Range $\phi D_{Min} \sim \phi D_{Max}$	組合系統-主軸柄規格 Taper Shank	L1	淨重 N.W.
56801405	BT40-HBOR63P	11-32	H63 MAS403 BT40-H63-55	55	3.55
56801506	BT50-HBOR63P	11-32	H63 MAS403 BT50-H63-65	65	6.11
56801508	BT50-HBOR63P	11-32	H63 MAS403 BT50-H63-85	85	6.61
56802406	SK40-HBOR63P	11-32	H63 DIN69871A ISO40-H63-60	60	3.59
56802506	SK50-HBOR63P	11-32	H63 DIN69871A ISO50-H63-65	65	5.31
56804606	HSK63-HOBR63P	11-32	H63 DIN69893A HSK63-H63-67	67	3.44



套筒 Sleeve

訂貨編號 Order No.	規格 Model	內徑 Inner	L	A螺絲 A-Bolt	錫鋼柄 Carbide Shank	淨重 N.W.
50081610	BC1610	$\phi 10$	34	M8	CM10	0.06
50081612	BC1612	$\phi 12$			CM12	0.05

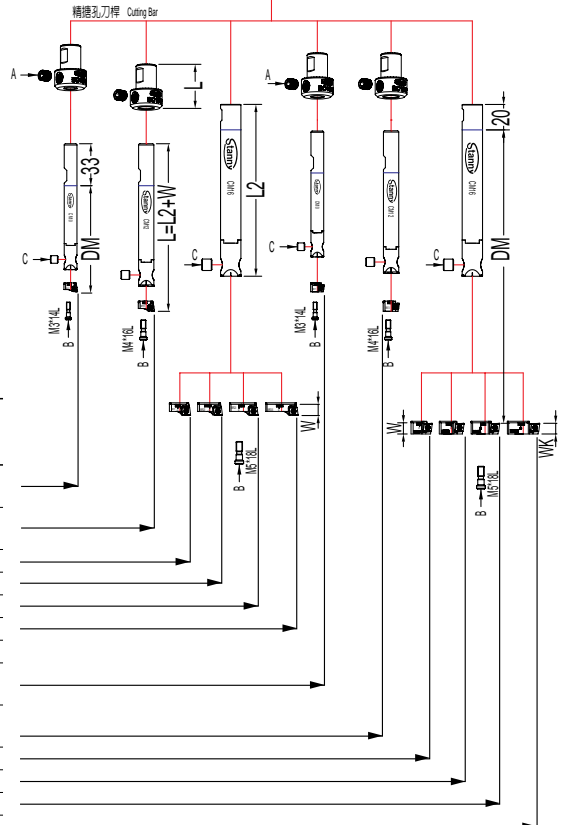
錫鋼柄 Carbide Shank

訂貨編號 Order No.	規格 Model	外徑 Outer	L2	C導程螺帽 C-Lead Bolt	B螺絲 B-Bolt	淨重 N.W.
50071009	CM10	$\phi 10$	99	$\phi 6 \times 6L$	M3-CM10	0.10
50071211	CM12	$\phi 12$	112	$\phi 7 \times 7L$	M4-CM12	0.16
50071613	CM16	$\phi 16$	135	$\phi 9 \times 9L$	M5-CM16	0.35

MR (正搪) 和MK (反搪) 搪孔刀座

MR and MK (Reverse) Cutting Insert Holder

訂貨編號 Order No.	規格 Model	範圍D Boring Range $\phi D_{Min} \sim \phi D_{Max}$	刀座高度		深度 DM	L	錫鋼柄 Carbide Shank	套筒 Sleeve	刀片 Insert	螺絲 Bolt	扳手 Wrench	淨重 N.W.
			W	WK								
50061114	MR11	11-14.5	6		72	105	CM10	BC1610	CCGT 0301..L	SB-1630TR M1.6	T6	0.002
50061317	MR13	13-17.5	7		86	119	CM12	BC1612	CCGT 0401..L	SB-2040TR M2	T6	0.003
50061723	MR17	17-23.5	9		124	144	CM16		CCGT 0602..FL	SB-2545TR M2.5	T8	0.005
50062026	MR20	20-26.5										0.006
50062329	MR23	23-29.5										0.008
50062632	MR26	26-32.5										0.009
50051114	MK11	11-14.5	7	6	59	106	CM10	BC1610	CCGT 0301..R	SB-1630TR M1.6	T6	0.002
50051317	MK13	13-17.5	8	7	72	120	CM12	BC1612	CCGT 0401..R	SB-2040TR M2	T6	0.003
50051723	MK17	17-23.5	10	9	115	145	CM16		CCGT 0602..FR	SB-2545TR M2.5	T8	0.005
50052026	MK20	20-26.5										0.007
50052329	MK23	23-29.5										0.009
50052632	MK26	26-32.5										0.011



H•BOR63

極細微調精搪孔系統

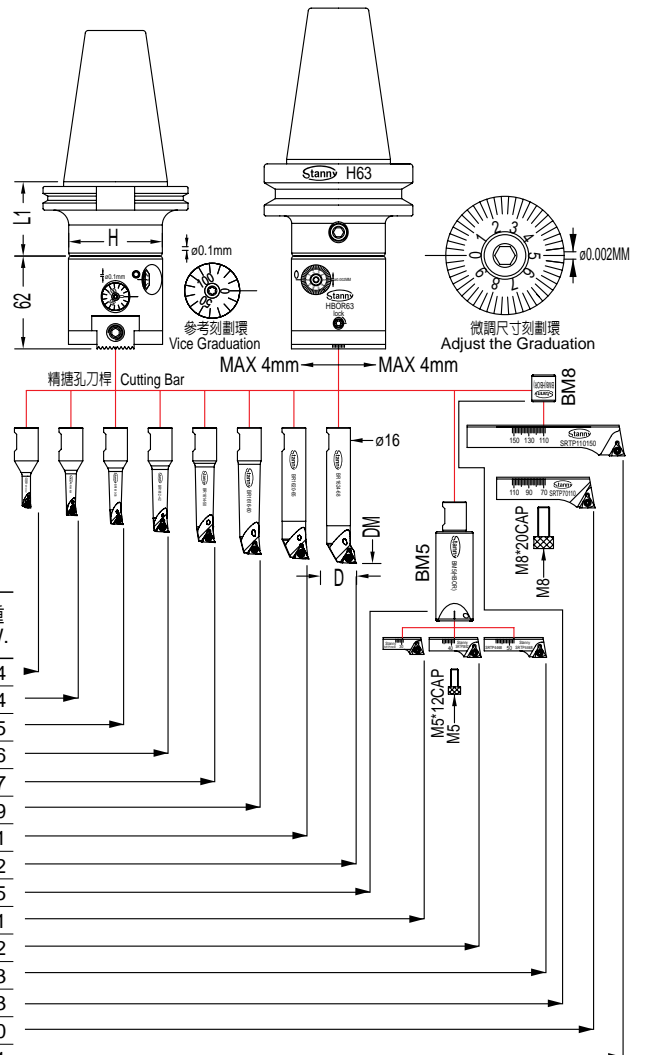
Micro-Finishing Cutter Fine Boring System

整組SET $\phi 6 \sim \phi 150$



訂貨編號 Order No.	規格 Model	範圍D Boring Range $\phi D_{Min} - \phi D_{Max}$	組合系統-主軸柄規格 Taper Shank	L1	淨重 N.W.
56900410	NT40-HBOR63	6-150	H63	DIN2080 ISO40-H63-55	55 8.4
56900510	NT50-HBOR63	6-150	H63	DIN2080 ISO50-H63-65	65 10.4
56901410	BT40-HBOR63	6-150	H63	MAS403 BT40-H63-55	55 8.2
56901510	BT50-HBOR63	6-150	H63	MAS403 BT50-H63-65	65 10.8
56901512	BT50-HBOR63	6-150	H63	MAS403 BT50-H63-85	85 11.3
56902410	SK40-HBOR63	6-150	H63	DIN69871A ISO40-H63-60	60 8.3
56902510	SK50-HBOR63	6-150	H63	DIN69871A ISO50-H63-65	65 10.0
56904610	HSK63-HBOR63	6-150	H63	DIN69893A HSK63-H63-67	67 8.2

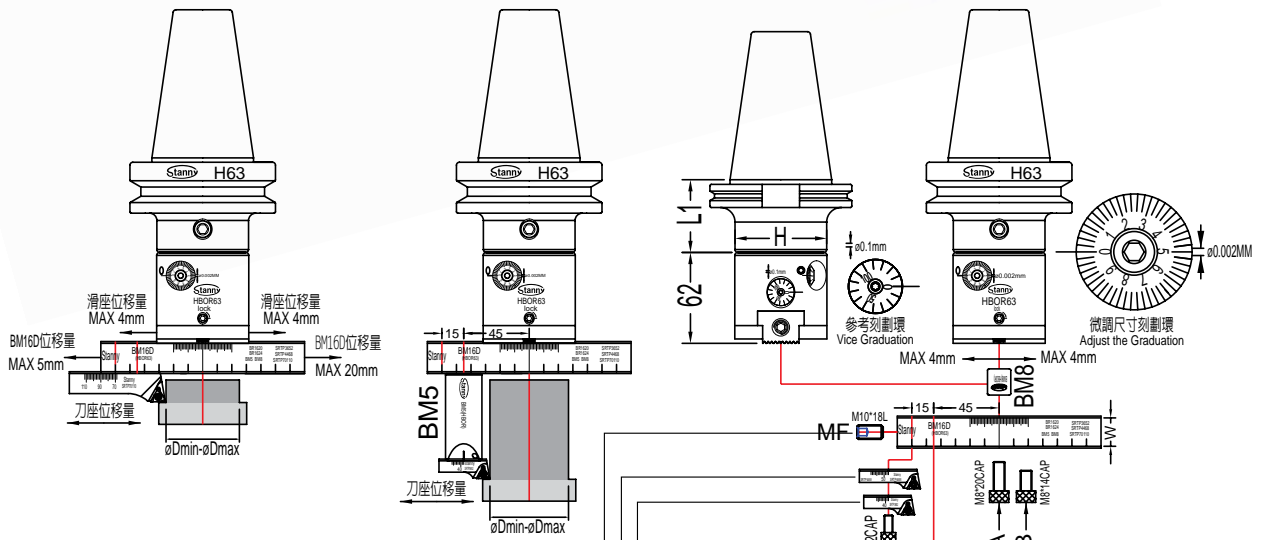
訂貨編號 Order No.	精搪孔刀桿 Cutting Bar	範圍D Boring Range $\phi D_{Min} - \phi D_{Max}$	深度 DM	刀片 Insert	螺絲 Bolt	板手 Wrench	淨重 N.W.
50160621	BR1606-21	6-9	21	WBGT0601..L	SB-1STR-M2	T6	0.04
50160828	BR1608-28	8-11	28	TBGT0601..L			0.04
50161035	BR1610-35	10-13	35				0.05
50161242	BR1612-42	12-15	42	TPGH0902..L	SB-2TR-M2.5	T8	0.06
50161450	BR1614-50	14-17	50				0.07
50161660	BR1616-60	16-20	60				0.09
50162065	BR1620-65	20-24	65	TPGH1103..L	SB-3TR-M3	T8	0.11
50162468	BR1624-68	24-28	68				0.12
50162505	BM5		60 + SRTP2938 or SRTP3652 or SRTP4468				M5x12CAP
50252938	SRTP2938	29-38	+10	TPGH0902..L	SB-2TR-M2.5	T8	0.01
50323652	SRTP3652	36-52	+12				0.02
50404468	SRTP4468	44-68	+12				0.03
50501608	BM8		+SRTP70110 or SRTP110150	M8x20CAP	6	0.03	
50637011	SRTP70110	70-110	+20	TPGH1103..L	SB-3TR-M3	T8	0.10
50637115	SRTP110150	110-150	+20				0.21



H•BOR63 + BM16D

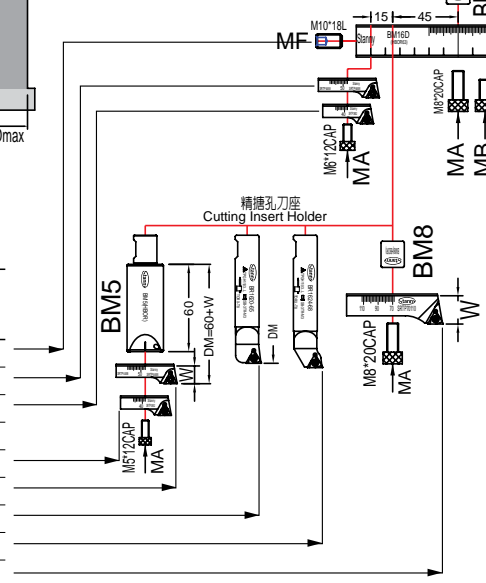
極細微調精搪孔系統—搪外徑 Micro-Finishing Cutter Fine Boring System - Cutting Outer Diameter

0~ø100



註: “反轉” 切削搪外徑
Remark: **Reverse** Cutting Outer Diameter Boring

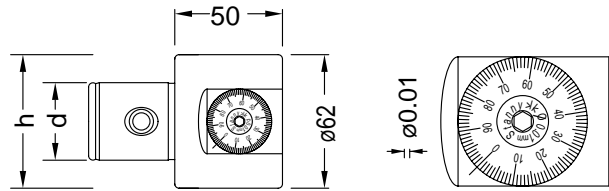
訂貨編號 Order No.	規格 Model	範圍 D Boring Range øDMin-øDMax	深度		MA Bolt	MB Bolt	MF Bolt	淨重 N.W
			DM	W				
50630160	BM16D			20	BM8	M8×14		0.46
50323652	SRTP3652	20-102		12	M6×12			0.02
50404468	SRTP4468	4-94						0.03
50162505	BM5	+SRTP3652 or +SRTP4468			M5×12			0.25
50323652	+SRTP3652	0-72		72				0.02
50404468	+SRTP4468	0-64						0.03
50162065	BR1620-65	22-88	65				M10×18	0.11
50162468	BR1624-68	18-84	68					0.12
50637011	SRTP70110	0-68		19	BM8			0.10



H•NBJ16

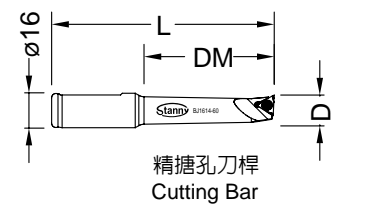
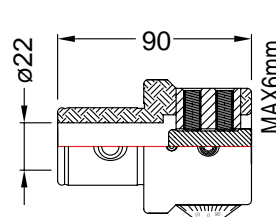
小徑精搪孔刀 Small Diameter Boring System

精搪孔刀本體 Body
精搪孔刀桿 Cutting Bar

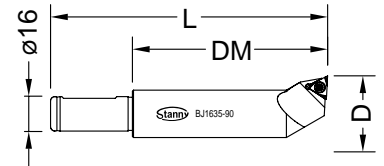


精搪孔刀本體
Body

微調尺寸刻劃環
Adjust the Graduation



精搪孔刀桿
Cutting Bar



H•NBJ16 小徑精搪孔刀—精搪孔刀本體 Body for H•NBJ16 Boring System

訂貨編號 Order No.	規格 Model	h	d	行程 Front	刀徑 Cutting Bar	板手 Wrench	淨重 N.W.
16300050	HNBJ16	63	36	6	ø 16	◻ 4	1.20

H•NBJ16 小徑精搪孔刀—精搪孔刀桿 Cutting Bar for H•NBJ16 Boring System

訂貨編號 Order No.	規格 Model	範圍 D Boring Range øDmin-øDmax	深度 DM	L	系統 System	刀片 Insert	螺絲 Bolt	板手 Wrench	淨重 N.W.
16010624	BJ1606-24	6-9	24	73	HNBJ16	WBG0601..L	SB-1STR-M2	T6	0.08
16010832	BJ1608-32	8-11	32	80		TBGT0601..L			0.08
16011040	BJ1610-40	10-13	40	87					0.08
16011253	BJ1612-53	12-15	53	98		TPGH0902..L	SB-2TR-M2.5	T8	0.10
16011460	BJ1614-60	14-17	60	103					0.10
16011668	BJ1616-68	16-21	68	110					0.12
16012083	BJ1620-83	20-26	83	125		TPGH1103..L	SB-3TR-M3	T8	0.20
16012590	BJ1625-90	25-31	90	128					0.30
16013090	BJ1630-90	30-36	90	128					0.32
16013590	BJ1635-90	35-41	90	128					0.32
16014090	BJ1640-90	40-46	90	128					0.38
16014590	BJ1645-90	45-51	90	128		0.38			



H•NBJ16

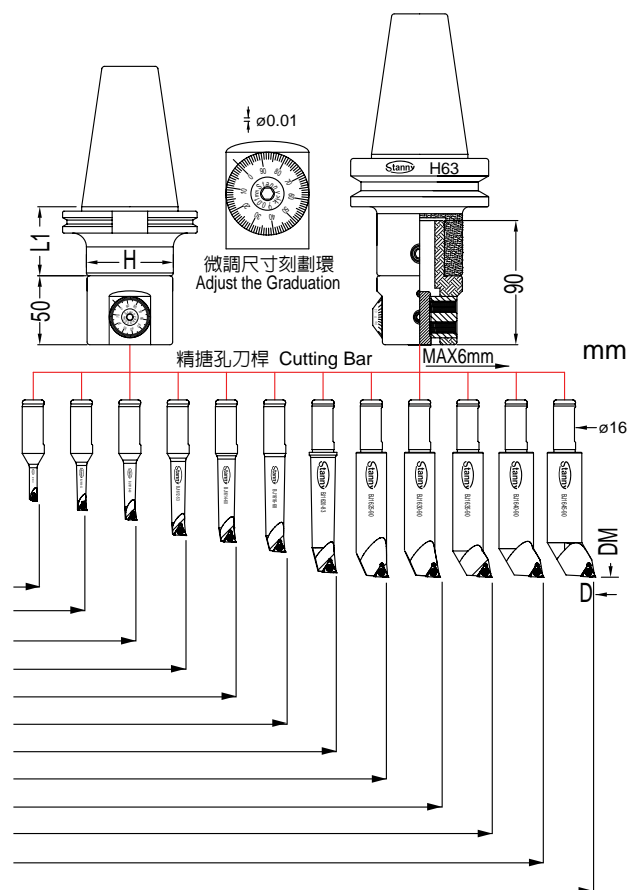
小徑精搪孔系統 Small Diameter Boring System

整組 SET $\phi 6 \sim \phi 51$

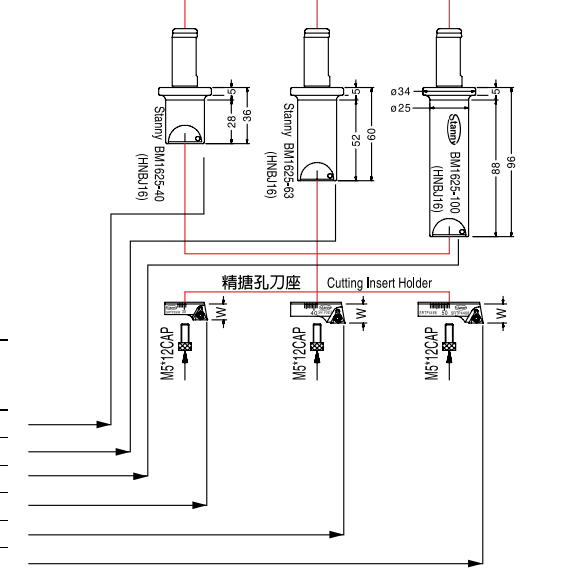
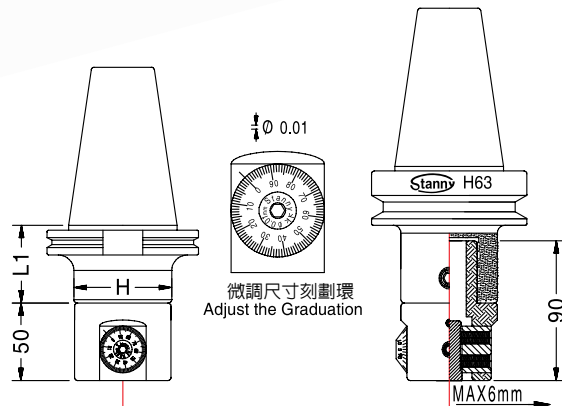


訂貨編號 Order No.	規格 Model	範圍 D Boring Range $\phi D_{Min} \sim \phi D_{Max}$	組合系統-主軸柄規格 Taper Shank		L1	淨重 N.W
16910410	NT40-HNBJ16	6-51	H63	DIN2080 ISO40-H63-55	55	9.3
16910510	NT50-HNBJ16	6-51	H63	DIN2080 ISO50-H63-65	65	11.2
16911410	BT40-HNBJ16	6-51	H63	MAS403 BT40-H63-55	55	9.1
16911510	BT50-HNBJ16	6-51	H63	MAS403 BT50-H63-65	65	11.7
16911512	BT50-HNBJ16	6-51	H63	MAS403 BT50-H63-85	85	12.2
16912410	SK40-HNBJ16	6-51	H63	DIN69871A ISO40-H63-60	60	9.1
16912510	SK50-HNBJ16	6-51	H63	DIN69871A ISO50-H63-65	65	10.9
16914610	HSK63-HNBJ16	6-51	H63	DIN69893A HSK63-H63-67	67	9.0

訂貨編號 Order No.	搪孔刀桿 Cutting Bar	範圍 D Boring Range $\phi D_{Min} \sim \phi D_{Max}$	深度 DM	刀片 Insert	螺絲 Bolt	板手 Wrench	淨重 N.W
16010624	BJ1606-24	6-9	24	WBGT0601..L	SB-1STR-M2	T6	0.08
16010832	BJ1608-32	8-11	32	TBGT0601..L			0.08
16011040	BJ1610-40	10-13	40				0.08
16011253	BJ1612-53	12-15	53	TPGH0902..L	SB-2TR-M2.5	T8	0.10
16011460	BJ1614-60	14-17	60				0.10
16011668	BJ1616-68	16-21	68	TPGH1103..L	SB-3TR-M3	T8	0.12
16012083	BJ1620-83	20-26	83				0.20
16012590	BJ1625-90	25-31	90				0.30
16013090	BJ1630-90	30-36	90				0.32
16013590	BJ1635-90	35-41	90				0.32
16014090	BJ1640-90	40-46	90				0.38
16014590	BJ1645-90	45-51	90				0.38



BM1625 精搪孔刀桿 BM1625 Cutting Bar $\phi 29 \sim \phi 68$



訂貨編號 Order No.	規格 Model	範圍 D Boring Range $\phi D_{min} - \phi D_{max}$	W	淨重 N.W.
16025040	BM1625-40		28	0.20
16025063	BM1625-63		52	0.29
16025100	BM1625-100		88	0.43
50252938	SRTP2938	29-38	10	0.01
50323652	SRTP3652	36-52	12	0.02
50404468	SRTP4468	44-68	12	0.03



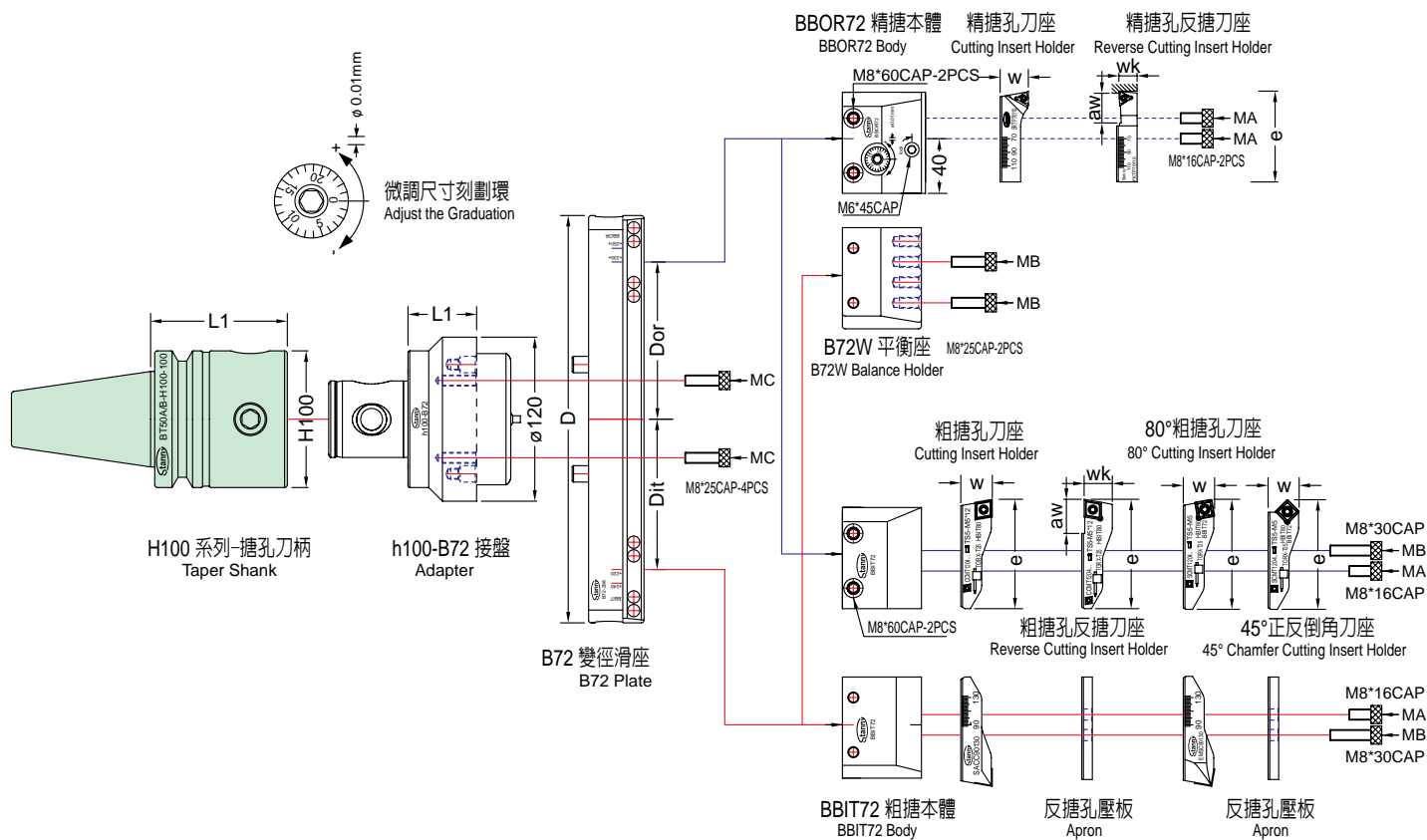
B72大孔徑搪孔刀組合系統
B72 Large Diameter Boring System



B72

大孔徑搪孔刀組合系統 Large Diameter Boring System

- 搪孔刀柄 Taper Shank
- 延長接桿 Extension Spacer
- 接盤 Adapter
- 變徑滑座 Plate
- 大孔徑粗搪孔刀本體 Large Diameter Body
- 粗搪孔刀座 Cutting Insert Holder
- 80°粗搪孔刀座 80° Cutting Insert Holder
- 45°正反倒角粗搪孔刀座 45° Chamfer Cutting Insert Holder
- 粗搪孔反搪刀座 Reverse Cutting Insert Holder
- 大孔徑精搪孔刀本體 Large Diameter Body
- 平衡座 Balance Holder
- 精搪孔刀座 Cutting Insert Holder
- 精搪孔反搪刀座 Reverse Cutting Insert Holder



規格：請參閱P7~P8
Specification please refer to P7~P8



規格：請參閱P9~P10
Specification please refer to P9~P10



規格：請參閱P13
Specification please refer to P13

B72

大孔徑搪孔刀組合系統 Large Diameter Boring System

搪孔刀柄 Taper Shank

延長接桿 Extension Spacer

■ 接盤 Adapter

■ 變徑滑座 Plate

大孔徑粗搪孔刀本體 Large Diameter Body

粗搪孔刀座 Cutting Insert Holder

80°粗搪孔刀座 80° Cutting Insert Holder

45°正反倒角粗搪孔刀座 45° Chamfer Cutting Insert Holder

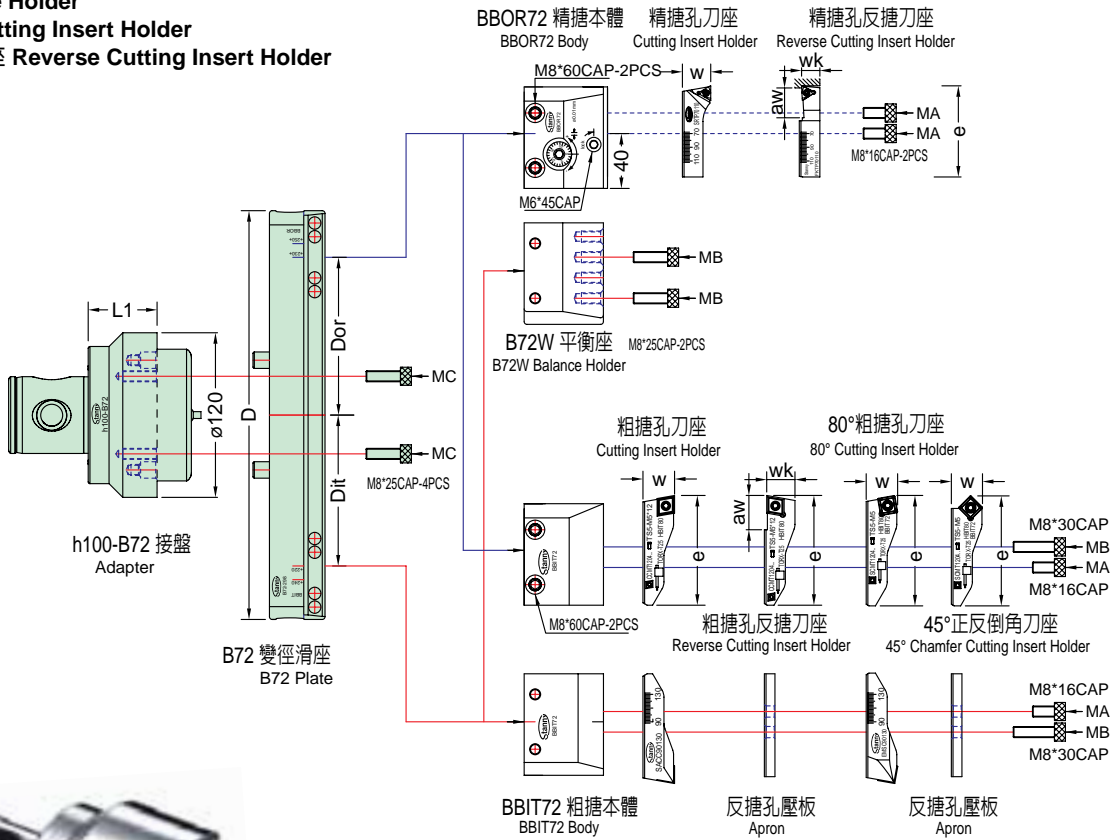
粗搪孔反搪刀座 Reverse Cutting Insert Holder

大孔徑精搪孔刀本體 Large Diameter Body

平衡座 Balance Holder

精搪孔刀座 Cutting Insert Holder

精搪孔反搪刀座 Reverse Cutting Insert Holder



h100-B72接盤

Adapter for B•BIT and B•BOR Large Diameter Boring System

訂貨編號 Order No.	規格 Model	L1	規格 MC Bolt	淨重 N.W.
41720000	h100-B72	50	CAP M8x25-4PCS	4.80



B72 變徑滑座

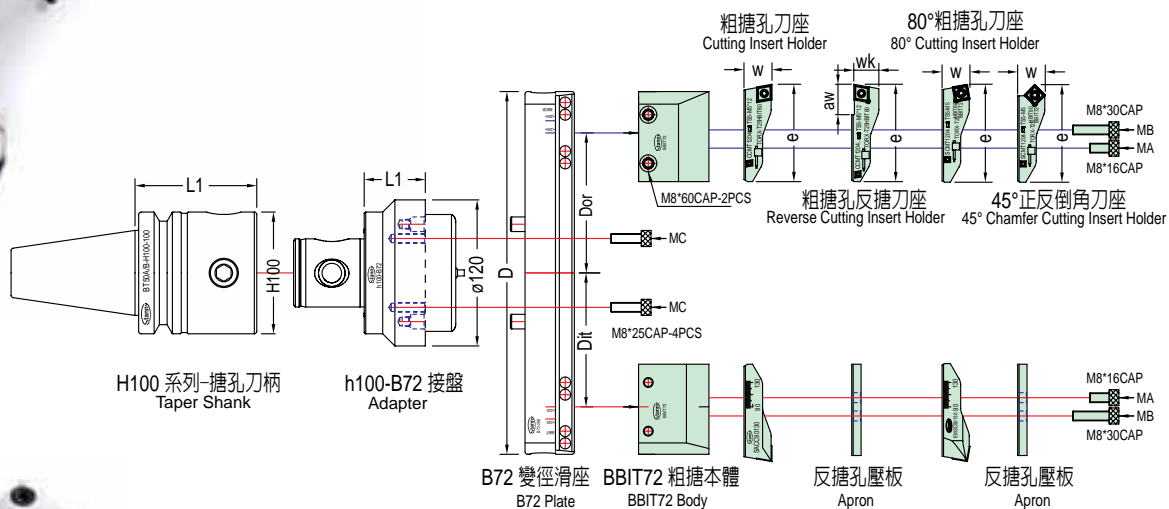
Plate for B•BIT and B•BOR Large Diameter Boring System

訂貨編號 Order No.	規格 Model	長度 D	BBOR Dor	BBIT Dit	淨重 N.W.
70172148	B72-148	148	40	35	2.15
70272198	B72-198	198	65	60	3.00
70372248	B72-248	248	90	85	3.80
70472298	B72-298	298	115	110	4.60
70572348	B72-348	348	140	135	5.40
70672398	B72-398	398	165	160	6.20

註:變徑滑座設有兩組測孔,相距10mm,可增加 $\phi 20\text{mm}$ 搪孔範圍,使搪孔範圍更附彈性。
Remark: Plate has four holes, distance 10mm and the boring range increase $\phi 20\text{mm}$.

搪孔刀柄 Taper Shank
 延長接桿 Extension Spacer
 接盤 Adapter
 變徑滑座 Plate

- 大孔徑粗搪孔刀本體 Large Diameter Body
- 粗搪孔刀座 Cutting Insert Holder
- 粗搪孔反搪刀座 Reverse Cutting Insert Holder
- 80°粗搪孔刀座 80° Cutting Insert Holder
- 45°正反倒角粗搪孔刀座 45° Chamfer Cutting Insert Holder



B•BIT72 大孔徑粗搪孔本體 Body for Large Diameter Adjustable Twin Cutter Roughing

訂貨編號 Order No.	規格 Model	移動量 Mobile	MA Bolt	MB Bolt	扳手 Wrench	淨重 N.W.
70007372	BBIT72	20	CAP M8*16	CAP M8*30	◇4◇6	1.44

B•BIT72 粗搪孔刀座 Cutting Insert Holder for B•BIT Large Diameter Adjustable Twin Cutter Roughing

訂貨編號 Order No.	規格 Model	W	e	刀片 Insert	螺絲 Bolt	扳手 Wrench	淨重 N.W.
30809013A	SACC90130	22.6	79.5	CCMT1204..	M5-TS5	T25	0.17
30809013B	SBCC90130						0.18
30813017A	SACC130170		99.5				0.23
30813017B	SBCC130170						0.24

B•BIT72 粗搪孔反搪刀座 Reverse Cutting Insert Holder for B•BIT Large Diameter Adjustable Single Cutter Roughing

訂貨編號 Order No.	規格 Model	aw	wk	e	刀片 Insert	螺絲 Bolt	扳手 Wrench	淨重 N.W.
30809013K	RKCC90130	22	22	79.5	CCMT1204..	M5-TS5	T25	0.18
30813017K	RKCC130170	44	22	99.5				0.25

B•BIT72 80°粗搪孔刀座 80° Cutting Insert Holder for B•BIT Adjustable Twin Cutter Roughing

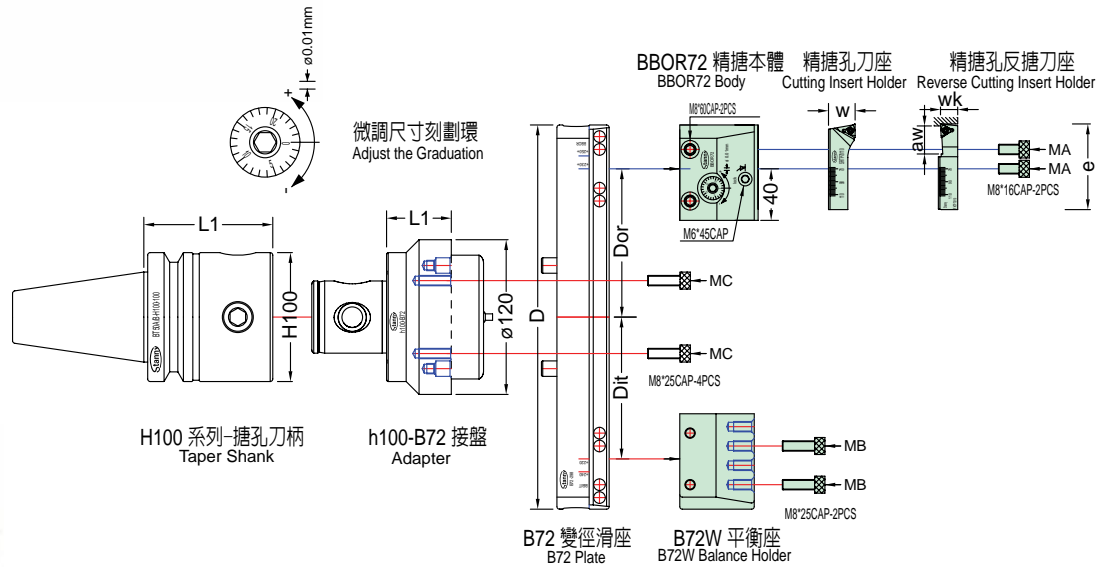
訂貨編號 Order No.	規格 Model	W	e	刀片 Insert	螺絲 Bolt	扳手 Wrench	淨重 N.W.
30809013M	EMSC90130	23.1	80.5	SCMT1204..	M5-TS5	T25	0.17
30813017M	EMSC130170		100.5				0.23

B•BIT72 45°正反倒角粗搪孔刀座 45° Chamfer Cutting Insert Holder for B•BIT Adjustable Single Cutter Roughing

訂貨編號 Order No.	規格 Model	W	e	刀片 Insert	螺絲 Bolt	扳手 Wrench	淨重 N.W.
30809013W	IWSC90130	23.1	80.5	SCMT1204..	M5-TS5	T25	0.16
30813017W	IWSC130170		100.5				0.22



- 搪孔刀柄 Taper Shank
- 延長接桿 Extension Spacer
- 接盤 Adapter
- 變徑滑座 Plate
- 大孔徑精搪孔刀本體 Large Diameter Body
- 平衡座 Balance Holder
- 精搪孔刀座 Cutting Insert Holder
- 精搪孔反搪刀座 Reverse Cutting Insert Holder



B•BOR72 大孔徑微調精搪孔本體+B72W平衡座 Body and Balance Holder for Large Diameter Finishing Cutter Fine Boring System

訂貨編號 Order No.	規格 Model	移動量 Mobile	MA Bolt	板手 Wrench	淨重 N.W.
70007572	BBOR72	10	CAP M8*16	◇5 ◇6	1.65
70007472	B72W			◇6	1.59

B•BOR72 精搪孔刀座 Cutting Insert Holder for B•BOR Large Diameter Finishing Cutter Fine Boring System

訂貨編號 Order No.	規格 Model	W	e	刀片 Insert	螺絲 Bolt	板手 Wrench	淨重 N.W.
50637011	SRTP70110	20	66	TPGH1103..L	SB-3TR-M3	T8	0.10
50637115	SRTP110150	20	106				0.21

B•BOR72 精搪孔反搪刀座 Reverse Cutting Insert Holder for B•BOR Large Diameter Finishing Cutter Fine Boring System

訂貨編號 Order No.	規格 Model	aw	wk	e	刀片 Insert	螺絲 Bolt	板手 Wrench	淨重 N.W.
50637011K	FKTP70110	16	15	66	TPGH1103..R	SB-3TR-M3	T8	0.10
50637115K	FKTP110150	25	15	106				0.21

B•BIT72

大孔徑雙刃粗搪孔刀組合系統--AB type

Large Diameter Adjustable Twin Cutter Roughing and Semi-Finishing Boring System

搪孔刀柄、接盤、變徑滑座、大孔徑粗搪孔刀本體、粗搪孔刀座

Taper Shank, Adapter, Plate, Large Diameter Body and Cutting Insert Holder

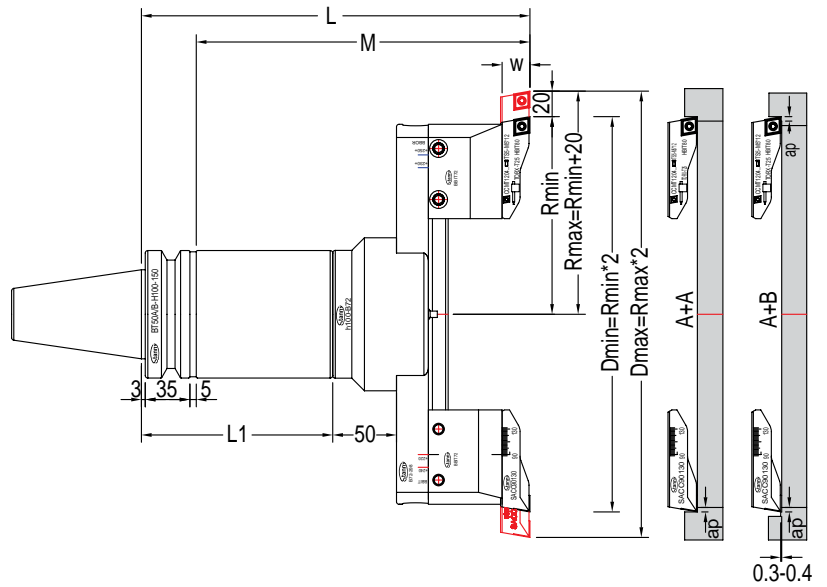


整支 SET

MAS403 BT 和 B•BIT72 大孔徑雙刃粗搪孔刀(AB type)

MAS403 BT and B•BIT72 Large Diameter Adjustable Twin Cutter Roughing and Semi-Finishing Boring System

訂貨編號 Order No.	規 格 Model	範 圍 D Boring Range øDMin-øDMax	M	L	大孔徑粗搪孔系統組合 Large Diameter Adjustable Twin Cutter Boring System					淨 重 N.W.
					搪孔刀柄 Taper Shank	接 盤 Adapter	變徑滑座 Plate	大孔徑粗搪孔刀本體 Boring Head	粗搪孔刀座 Cutting Insert Holder	
83101520AB	BT50-BBIT72-202	AB 160-220	202	245	BT50-H100-100			B72-148	SACC90130 SBCC90130	16.13
83201520AB	BT50-BBIT72-202	AB 210-270								16.98
83301520AB	BT50-BBIT72-202	AB 260-320								17.78
83401520AB	BT50-BBIT72-202	AB 310-370								18.58
83501520AB	BT50-BBIT72-202	AB 360-420								19.38
83601520AB	BT50-BBIT72-202	AB 410-470								20.18
83111520AB	BT50-BBIT72-202	AB 200-260								16.25
83211520AB	BT50-BBIT72-202	AB 250-310								17.10
83311520AB	BT50-BBIT72-202	AB 300-360								17.90
83411520AB	BT50-BBIT72-202	AB 350-410								18.70
83511520AB	BT50-BBIT72-202	AB 400-460								19.50
83611520AB	BT50-BBIT72-202	AB 450-510								20.30
83101525AB	BT50-BBIT72-252	AB 160-220	252	295	BT50-H100-150	h100-B72	B72-148	SACC90130 SBCC90130	18.78	
83201525AB	BT50-BBIT72-252	AB 210-270							19.63	
83301525AB	BT50-BBIT72-252	AB 260-320							20.43	
83401525AB	BT50-BBIT72-252	AB 310-370							21.23	
83501525AB	BT50-BBIT72-252	AB 360-420							22.03	
83601525AB	BT50-BBIT72-252	AB 410-470							22.83	
83111525AB	BT50-BBIT72-252	AB 200-260							18.90	
83211525AB	BT50-BBIT72-252	AB 250-310							19.75	
83311525AB	BT50-BBIT72-252	AB 300-360							20.55	
83411525AB	BT50-BBIT72-252	AB 350-410							21.35	
83511525AB	BT50-BBIT72-252	AB 400-460							22.15	
83611525AB	BT50-BBIT72-252	AB 450-510							22.95	
83101530AB	BT50-BBIT72-302	AB 160-220	302	345	BT50-H100-200		B72-148	SACC90130 SBCC90130	21.73	
83201530AB	BT50-BBIT72-302	AB 210-270							22.58	
83301530AB	BT50-BBIT72-302	AB 260-320							23.38	
83401530AB	BT50-BBIT72-302	AB 310-370							24.18	
83501530AB	BT50-BBIT72-302	AB 360-420							24.98	
83601530AB	BT50-BBIT72-302	AB 410-470							25.78	
83111530AB	BT50-BBIT72-302	AB 200-260							21.85	
83211530AB	BT50-BBIT72-302	AB 250-310							22.70	
83311530AB	BT50-BBIT72-302	AB 300-360							23.50	
83411530AB	BT50-BBIT72-302	AB 350-410							24.30	
83511530AB	BT50-BBIT72-302	AB 400-460							25.10	
83611530AB	BT50-BBIT72-302	AB 450-510							25.90	



訂貨編號 Order No.	規格 Model	範圍 D Boring Range øDMin-øDMax	M	L	大孔徑粗搪孔系統組合 Large Diameter Adjustable Twin Cutter Boring System					淨重 N.W.
					搪孔刀柄 Taper Shank	接盤 Adapter	變徑滑座 Plate	大孔徑粗搪孔刀本體 Boring Head	粗搪孔刀座 Cutting Insert Holder	
83101535AB	BT50-BBIT72-352 AB	160-220	352	395	BT50-H100-250	h100-B72	BBIT72	SACC90130 SBCC90130	24.68	
83201535AB	BT50-BBIT72-352 AB	210-270							25.53	
83301535AB	BT50-BBIT72-352 AB	260-320							26.33	
83401535AB	BT50-BBIT72-352 AB	310-370							27.13	
83501535AB	BT50-BBIT72-352 AB	360-420							27.93	
83601535AB	BT50-BBIT72-352 AB	410-470							28.73	
83111535AB	BT50-BBIT72-352 AB	200-260							SACC130170 SBCC130170	24.80
83211535AB	BT50-BBIT72-352 AB	250-310								25.65
83311535AB	BT50-BBIT72-352 AB	300-360								26.45
83411535AB	BT50-BBIT72-352 AB	350-410								27.25
83511535AB	BT50-BBIT72-352 AB	400-460								28.05
83611535AB	BT50-BBIT72-352 AB	450-510								28.85

B•BOR72

大孔徑微調精搪孔刀組合系統

Large Diameter Finishing Cutter Fine Boring System

搪孔刀柄、接盤、變徑滑座、大孔徑精搪孔刀本體、平衡座、精搪孔刀座
 Taper Shank, Adapter, Plate, Large Diameter Body, Balance Holder and Cutting Insert Holder

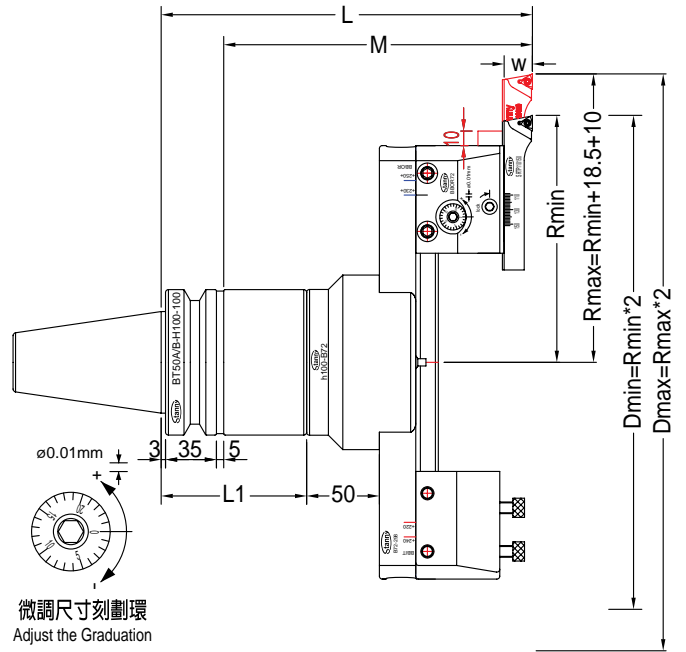


整支 SET

MAS403 BT 和 B•BOR72 大孔徑微調精搪孔刀

MAS403 BT and B•BOR72 Large Diameter Finishing Cutter Fine Boring System

訂貨編號 Order No.	規 格 Model	範 圍 D Boring Range øDMin-øDMax	M	L	大孔徑精搪孔系統組合 Large Diameter Finishing Cutter Fine Boring System					淨 重 N.W.	
					搪孔刀柄 Taper Shank	接 盤 Adapter	變徑滑座 Plate	大孔徑精搪孔刀本體 Boring Head	精搪孔刀座 Cutting Insert Holder		
85101520	BT50-BBOR72-202	M 150-227	202	245	BT50-H100-100			B72-148	SRTP70110	16.24	
85201520	BT50-BBOR72-202	M 200-277						B72-198		17.09	
85301520	BT50-BBOR72-202	M 250-327						B72-248		17.89	
85401520	BT50-BBOR72-202	M 300-377						B72-298		18.69	
85501520	BT50-BBOR72-202	M 350-427						B72-348		19.49	
85601520	BT50-BBOR72-202	M 400-477						B72-398		20.29	
85111520	BT50-BBOR72-202	M 190-267						B72-148		SRTP110150	16.35
85211520	BT50-BBOR72-202	M 240-317						B72-198			17.20
85311520	BT50-BBOR72-202	M 290-367						B72-248			18.00
85411520	BT50-BBOR72-202	M 340-417						B72-298			18.80
85511520	BT50-BBOR72-202	M 390-467						B72-348			19.60
85611520	BT50-BBOR72-202	M 440-517						B72-398			20.40
85101525	BT50-BBOR72-252	M 150-227	252	295	BT50-H100-150	h100-B72	BBOR72 B72W	SRTP70110	B72-148	18.89	
85201525	BT50-BBOR72-252	M 200-277							B72-198	19.74	
85301525	BT50-BBOR72-252	M 250-327							B72-248	20.54	
85401525	BT50-BBOR72-252	M 300-377							B72-298	21.34	
85501525	BT50-BBOR72-252	M 350-427							B72-348	22.14	
85601525	BT50-BBOR72-252	M 400-477							B72-398	22.94	
85111525	BT50-BBOR72-252	M 190-267							B72-148	SRTP110150	19.00
85211525	BT50-BBOR72-252	M 240-317							B72-198		19.85
85311525	BT50-BBOR72-252	M 290-367							B72-248		20.65
85411525	BT50-BBOR72-252	M 340-417							B72-298		21.45
85511525	BT50-BBOR72-252	M 390-467							B72-348		22.25
85611525	BT50-BBOR72-252	M 440-517							B72-398		23.05
85101530	BT50-BBOR72-302	M 150-227	302	345	BT50-H100-200			SRTP70110	B72-148	21.84	
85201530	BT50-BBOR72-302	M 200-277							B72-198	22.69	
85301530	BT50-BBOR72-302	M 250-327							B72-248	23.49	
85401530	BT50-BBOR72-302	M 300-377							B72-298	24.29	
85501530	BT50-BBOR72-302	M 350-427							B72-348	25.09	
85601530	BT50-BBOR72-302	M 400-477							B72-398	25.89	
85111530	BT50-BBOR72-302	M 190-267							B72-148	SRTP110150	21.95
85211530	BT50-BBOR72-302	M 240-317							B72-198		22.80
85311530	BT50-BBOR72-302	M 290-367							B72-248		23.60
85411530	BT50-BBOR72-302	M 340-417							B72-298		24.40
85511530	BT50-BBOR72-302	M 390-467							B72-348		25.20
85611530	BT50-BBOR72-302	M 440-517							B72-398		26.00



訂貨編號 Order No.	規格 Model	範圍 D Boring Range øDMin-øDMax	M	L	大孔徑精搪孔系統組合 Large Diameter Finishing Cutter Fine Boring System					淨重 N.W.
					搪孔刀柄 Taper Shank	接盤 Adapter	變徑滑座 Plate	大孔徑精搪孔刀本體 Boring Head	精搪孔刀座 Cutting Insert Holder	
85101535	BT50-BBOR72-352	M 150-227	352	395	BT50-H100-250	h100-B72	BBOR72 B72W	SRTP70110	24.79	
85201535	BT50-BBOR72-352	M 200-277							25.64	
85301535	BT50-BBOR72-352	M 250-327							26.44	
85401535	BT50-BBOR72-352	M 300-377							27.24	
85501535	BT50-BBOR72-352	M 350-427							28.04	
85601535	BT50-BBOR72-352	M 400-477							28.84	
85111535	BT50-BBOR72-352	M 190-267							SRTP110150	24.90
85211535	BT50-BBOR72-352	M 240-317								25.75
85311535	BT50-BBOR72-352	M 290-367								26.55
85411535	BT50-BBOR72-352	M 340-417								27.35
85511535	BT50-BBOR72-352	M 390-467								28.15
85611535	BT50-BBOR72-352	M 440-517								28.95

NBH2084

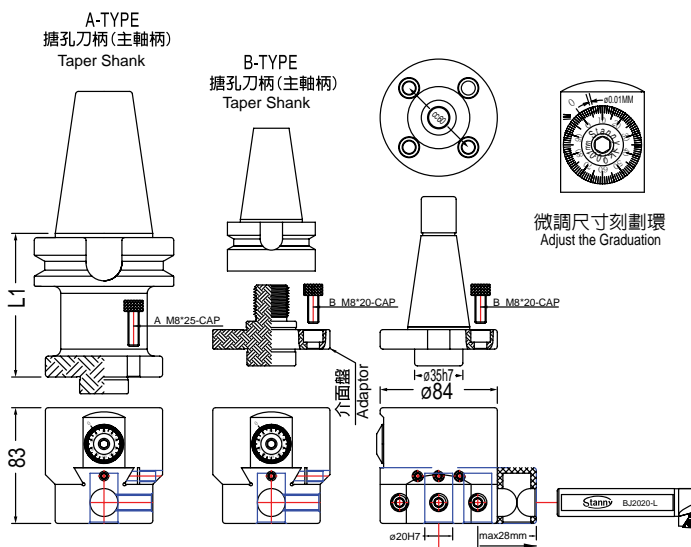
微調精搪孔系統 Boring System

搪孔刀柄 Taper Shank
精搪孔刀本體 Body
精搪孔刀桿 Cutting Bar



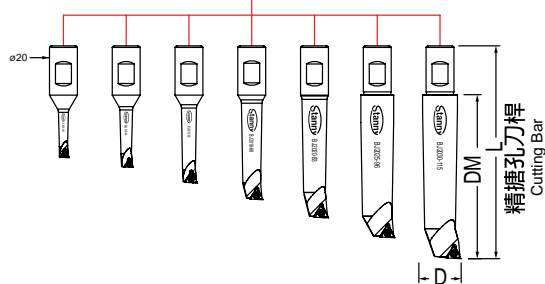
NBH2084微調精搪孔系統—搪孔刀柄 Taper Shank for NBH2084 Boring System

訂貨編號 Order No.	規格 Model	TYPE	淨重 N.W.
20808801	R8		1.0
20800301	NT30	inch or mm	0.8
20800401	NT40	inch or mm	1.2
20800501	NT50	inch or mm	3.6
20801410	BT40	MAS403	1.8
20801510	BT50	MAS403 A or B	4.5
20802410	ISO40	DIN69871A	1.7
20802510	ISO50	DIN69871A	4.0
20806410	MT4	A or B (inch or mm)	1.2
20806510	MT5	A or B (inch or mm)	2.1



NBH2084微調精搪孔系統—精搪孔刀本體 Body for NBH2084 Boring System

訂貨編號 Order No.	規格 Model	刀徑 Cutting Bar	板手 Wrench	淨重 N.W.
20840000	NBH2084	ø 20	○ 4 ○ 6	3.0



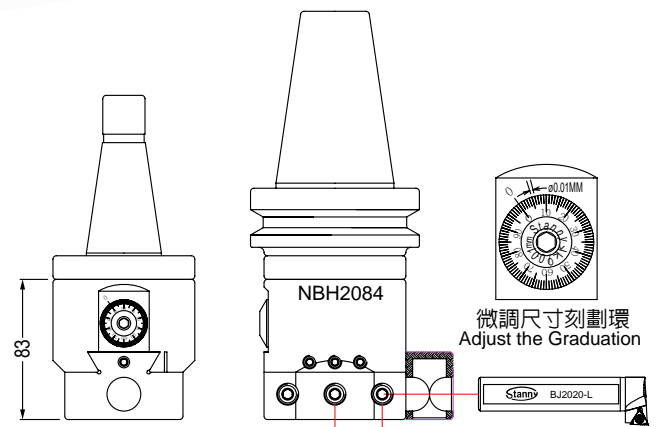
NBH2084微調精搪孔系統—精搪孔刀桿 Cutting Bar for NBH2084 Boring System

訂貨編號 Order No.	規格 Model	範圍 D Boring Range øDmin-øDmax	深度 DM	L	系統 System	刀片 Insert	螺絲 Bolt	板手 Wrench	淨重 N.W.	
20010832	BJ2008-32	8-11	32	80	NBH2084	TBGT0601..L	SB-1STR-M2	T6	0.12	
20011040	BJ2010-40	10-13	40	87		TPGH0902..L	SB-2TR-M2.5	T8	0.12	
20011253	BJ2012-53	12-17	53	98		TPGH1103..L	SB-3TR-M3		0.16	
20011668	BJ2016-68	16-21	68	110				0.22		
20012083	BJ2020-83	20-125	83	123				0.24		
20012596	BJ2025-96	25-130	96	137				0.38		
20013011	BJ2030-115	30-135	115	152				0.46		
20012020	BJ2020-L	120-280	84+BT L1	100						

NBH2084

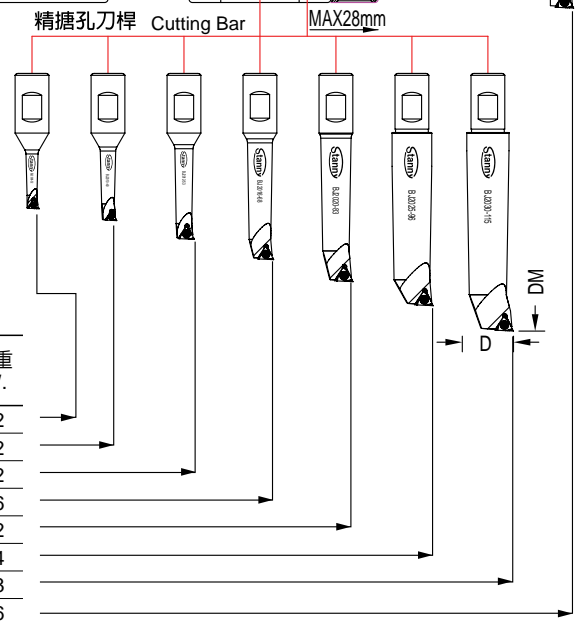
微調精搪孔系統 Boring System

整組 SET $\phi 8 \sim \phi 280$



訂貨編號 Order No.	規格 Model	範圍 D Boring Range $\phi D_{min} - \phi D_{max}$	組合系統-主軸柄規格 Taper Shank	淨重 N.W.
20908808	R8-NBH2084	8-280	R8-UNF7/16-20-NBH2084	10.0
20900308	NT30-NBH2084	8-280	DIN2080 ISO30-NBH2084	9.8
20900408	NT40-NBH2084	8-280	DIN2080 ISO40-NBH2084	10.3
20900510	NT50-NBH2084	8-280	DIN2080 ISO50-NBH2084	10.8
20906408	MT4-NBH2084	8-280	DIN228A MT4-NBH2084	10.3
20906508	MT5-NBH2084	8-280	DIN228A MT5-NBH2084	10.8
20901410	BT40-NBH2084	8-280	MAS403 BT40-NBH2084	9.0
20901510	BT50-NBH2084	8-280	MAS403 BT50-NBH2084	11.7
20902410	SK40-NBH2084	8-280	DIN69871A ISO40-NBH2084	10.7
20902510	SK50-NBH2084	8-280	DIN69871A ISO50-NBH2084	13.0

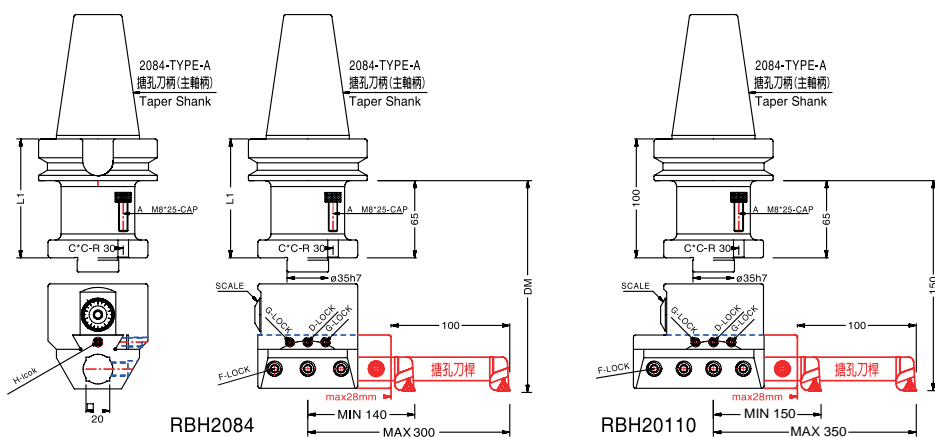
訂貨編號 Order No.	精搪孔刀桿 Cutting Bar	範圍 D Boring Range $\phi D_{min} - \phi D_{max}$	深度 DM	刀片 Insert	螺絲 Bolt	板手 Wrench	淨重 N.W.
20010832	BJ2008-32	8-11	32	TBGT0601..L	SB-1STR-M2	T6	0.12
20011040	BJ2010-40	10-13	40				0.12
20011253	BJ2012-53	12-17	53	TPGH0902..L	SB-2TR-M2.5	T8	0.12
20011668	BJ2016-68	16-21	68				0.16
20012083	BJ2020-83	20-125	83	TPGH1103..L	SB-3TR-M3	T8	0.22
20012596	BJ2025-96	25-130	96				0.24
20013011	BJ2030-115	30-135	115				0.38
20012020	BJ2020-L	120-280	84+BT L1				0.46



2084A-RBH

微調精搪孔系統 Boring System

搪孔刀柄 Taper Shank
精搪孔刀本體 Body
精搪孔刀桿 Cutting Bar



2084A-RBH微調精搪孔系統－搪孔刀柄 2084A Taper Shank for RBH Boring System

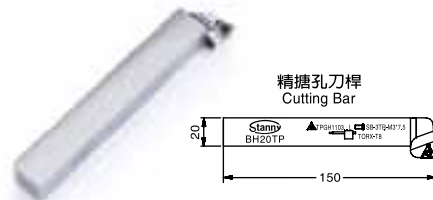
訂貨編號 Order No.	規格 Model	L1	搪孔深度 DM	淨重 N.W.
20801510A	BT50-2084A-100	100	150	5.1
20801515A	BT50-2084A-150	150	200	6.1
20801520A	BT50-2084A-200	200	250	7.1
20801525A	BT50-2084A-250	250	300	8.1

RBH微調精搪孔系統－精搪孔刀本體 Body for RBH Boring System

訂貨編號 Order No.	規格 Model	範圍 D Boring Range øDmin-øDmax	滑座外徑 Body Diameter	刀徑 Cutting Bar	板手 Wrench	搪孔刀柄 Taper Shank	淨重 N.W.
20850080	RBH2084	140-300	ø84	□20	○4 ○6	2084A	2.88
20860080	RBH20110	150-350	ø110	□20	○4 ○6	2084A	3.88

RBH微調精搪孔系統－精搪孔刀桿 Cutting Bar for RBH Boring System

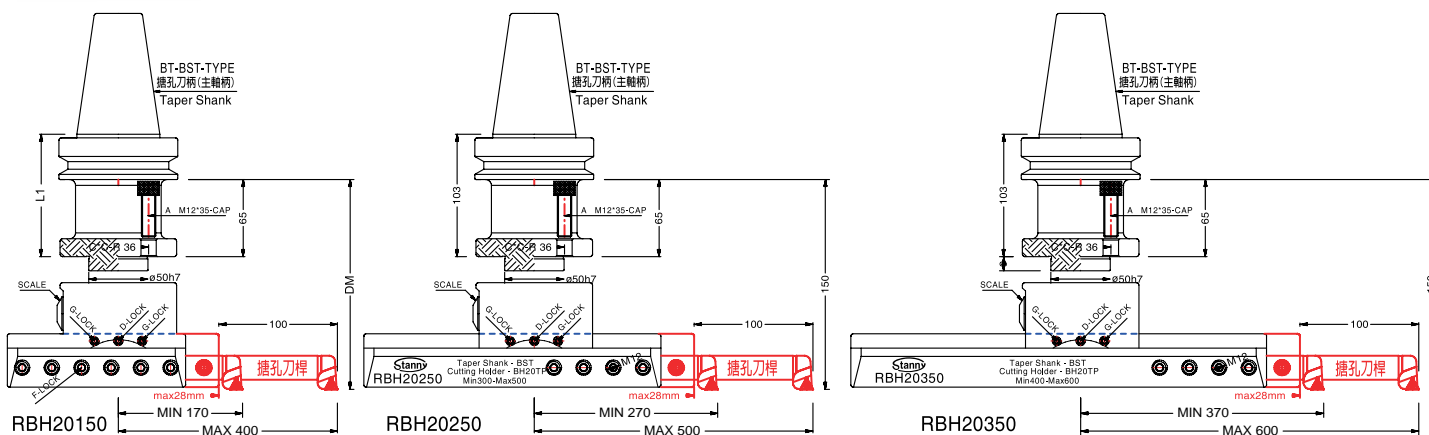
訂貨編號 Order No.	規格 Model	刀徑 Cutting Bar	刀片 Insert	螺絲 Bolt	板手 Wrench	淨重 N.W.
20020150	BH20TP	□20	TPGH1103..L	SB-3TR-M3	T8	0.45



BST-RBH

微調精搪孔系統 Boring System

搪孔刀柄 Taper Shank
精搪孔刀本體 Body
精搪孔刀桿 Cutting Bar



BST-RBH微調精搪孔系統－搪孔刀柄 BST Taper Shank for RBH Boring System

訂貨編號 Order No.	規格 Model	L1	搪孔深度 DM	淨重 N.W.
20811510	BT50-BST100	100	150	5.75
20811515	BT50-BST150	150	200	6.75
20811520	BT50-BST200	200	250	7.75
20811525	BT50-BST250	250	300	8.75

RBH微調精搪孔系統－精搪孔刀本體 Body for RBH Boring System

訂貨編號 Order No.	規格 Model	範圍 D Boring Range øDmin-øDmax	滑座外徑 Body Diameter	刀徑 Cutting Bar	板手 Wrench	搪孔刀柄 Taper Shank	淨重 N.W.
20870080	RBH20150	170-400	ø150	□20	◇4 ◇6	BST	4.88
20880080	RBH20250	270-500	ø250	□20	◇4 ◇6	BST	5.90
20890080	RBH20350	370-600	ø350	□20	◇4 ◇6	BST	7.35

RBH微調精搪孔系統－精搪孔刀桿 Cutting Bar for RBH Boring System

訂貨編號 Order No.	規格 Model	刀徑 Cutting Bar	刀片 Insert	螺絲 Bolt	板手 Wrench	淨重 N.W.
20020150	BH20TP	□20	TPGH1103..L	SB-3TR-M3	T8	0.45

