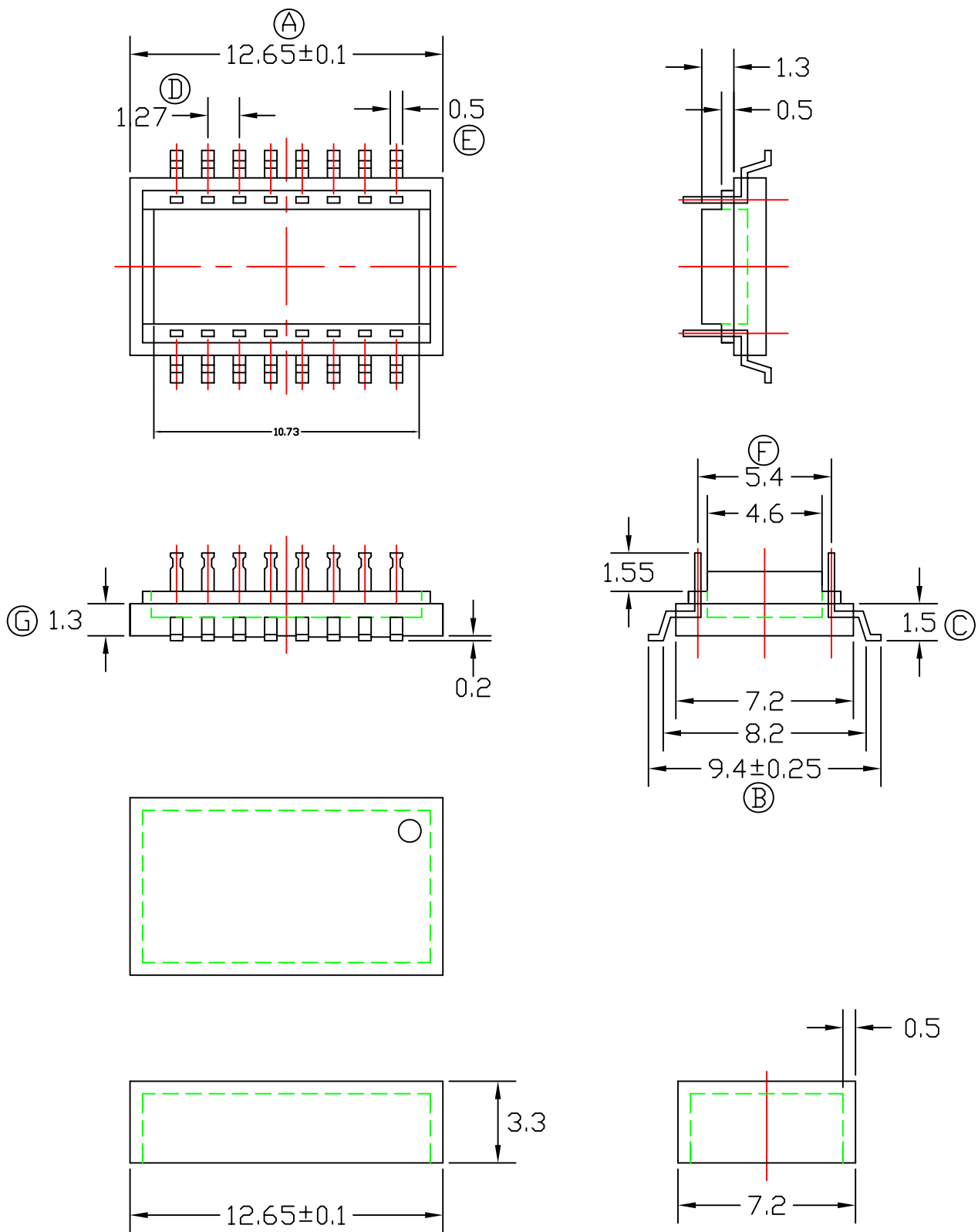
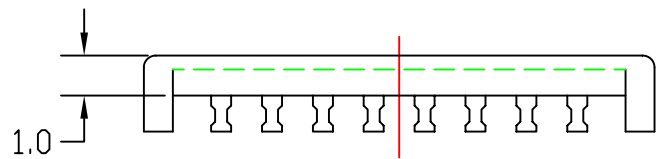
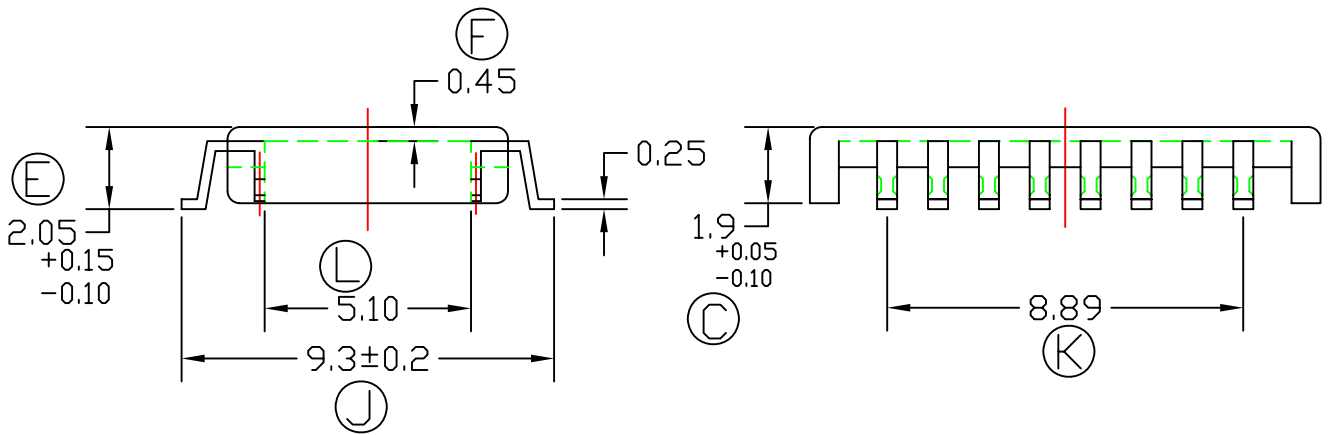
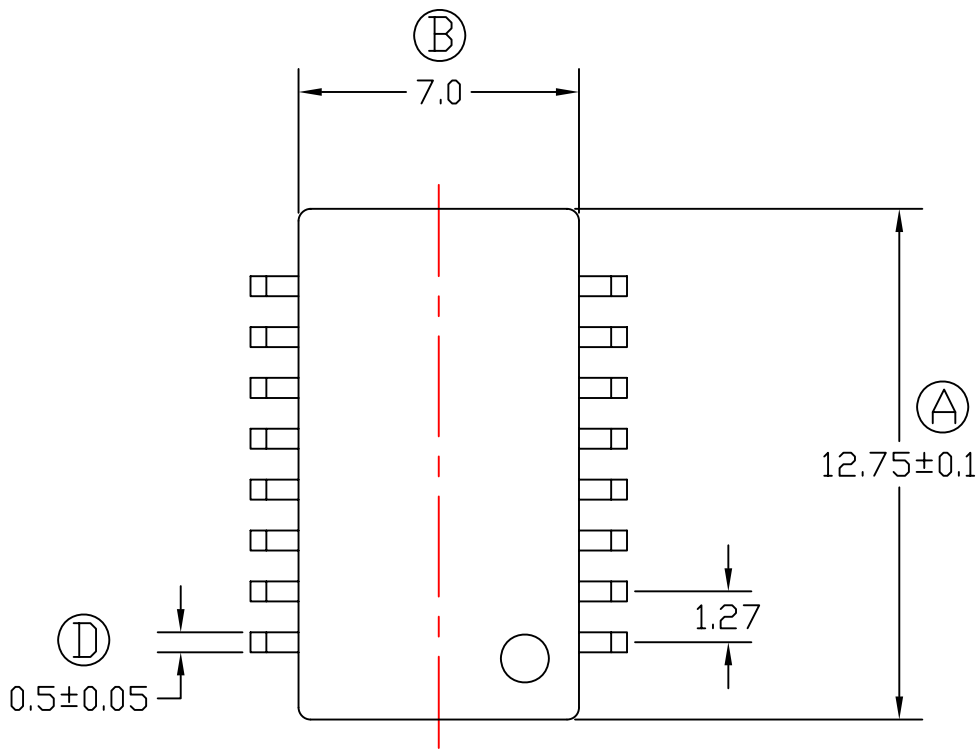


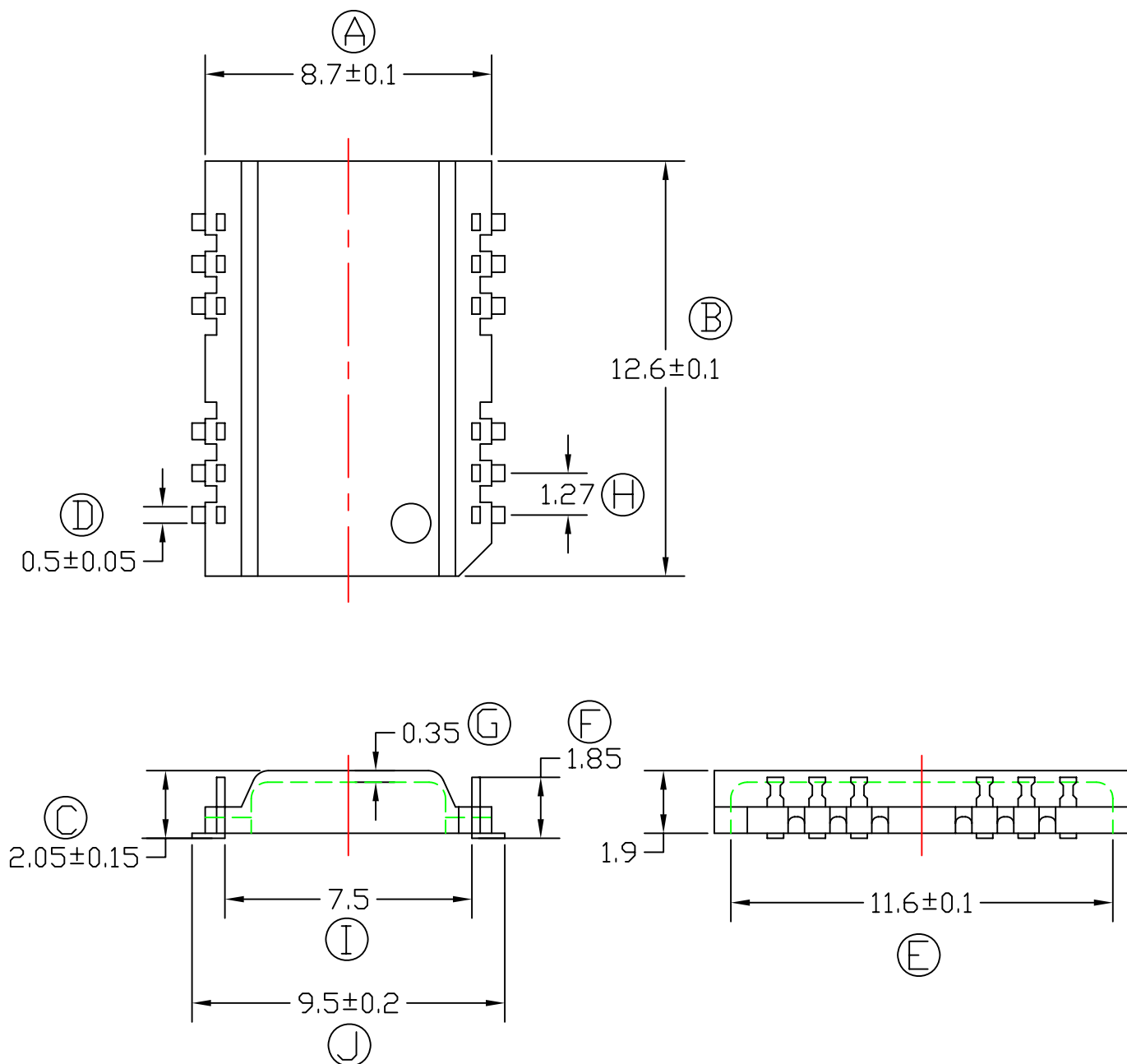
台速工業股份有限公司		FILE NAME	BMH01-12-X	
BOBBIN MASTER INDUSTRIAL CO;LTD.		MODEL NAME		
TEL: (886 2) 26943199		MATERIAL	L.C.P.	
FAX: (886 2) 26940947		PIN MATERIAL	NICKEL BRONZE PHOSPHOR BRONZE	
REV 00		TOLERANCE	UL REC.	UNIT
		X. 0.15 X.X 0.1	UL 94V-0	m m



台速工業股份有限公司		FILE NAME	BMH01-16	
BOBBIN MASTER INDUSTRIAL CO;LTD.		MODEL NAME		
TEL: (886 2) 26943199		MATERIAL	L.C.P.	
FAX: (886 2) 26940947		PIN MATERIAL	NICKEL BRONZE PHOSPHOR BRONZE	
REV		TOLERANCE	UL REC.	UNIT
00		X. 0.15 X.X 0.1	UL 94V-0	m m



台速工業股份有限公司		FILE NAME	BMH01-16-1	
BOBBIN MASTER INDUSTRIAL CO;LTD.		MODEL NAME	BA-021	
TEL: (886 2) 26943199		MATERIAL	L.C.P.	
FAX: (886 2) 26940947		PIN MATERIAL	BROZNE	
REV 00		TOLERANCE	UL REC.	UNIT
		X. 0.15	UL 94V-0	m m
		X.X 0.1		



台速工業股份有限公司		FILE NAME	BMH01-16-2	
BOBBIN MASTER INDUSTRIAL CO;LTD.		MODEL NAME	H0068	
TEL: (886 2) 26943199		MATERIAL		
FAX: (886 2) 26940947		PIN MATERIAL	NICKEL BRONZE PHOSPHOR BRONZE	
REV		TOLERANCE	UL REC.	UNIT
00		X. 0.15 X.X 0.1	UL 94V-0	m m