



Drilling Units Tapping Units

Special-purpose machines



FAN JI INDUSTRIAL CO., LTD.

No.25, 18th Road, Industrial Park,
Taichung City Taiwan.
TEL:886-4-23586110
FAX:886-4-23588137
<http://drilling-tapping.com.tw>
E-mail:fanji@ms29.hinet.net
E-mail:fanji@seed.net.tw

AGENT :

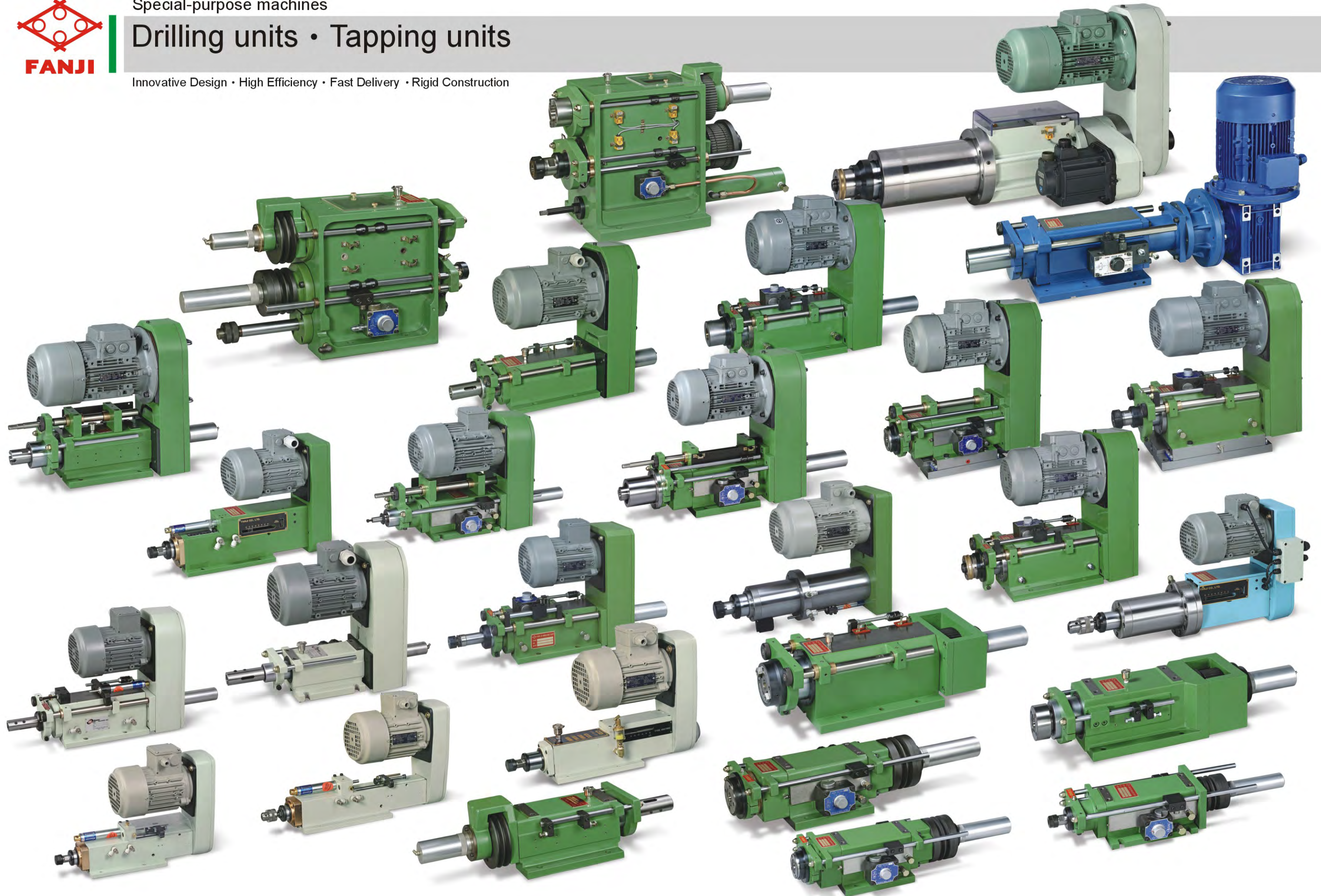
Innovative Design • High Efficiency • Fast Delivery • Rigid Construction



Special-purpose machines

Drilling units • Tapping units

Innovative Design • High Efficiency • Fast Delivery • Rigid Construction





FD3-55

Drilling Unit

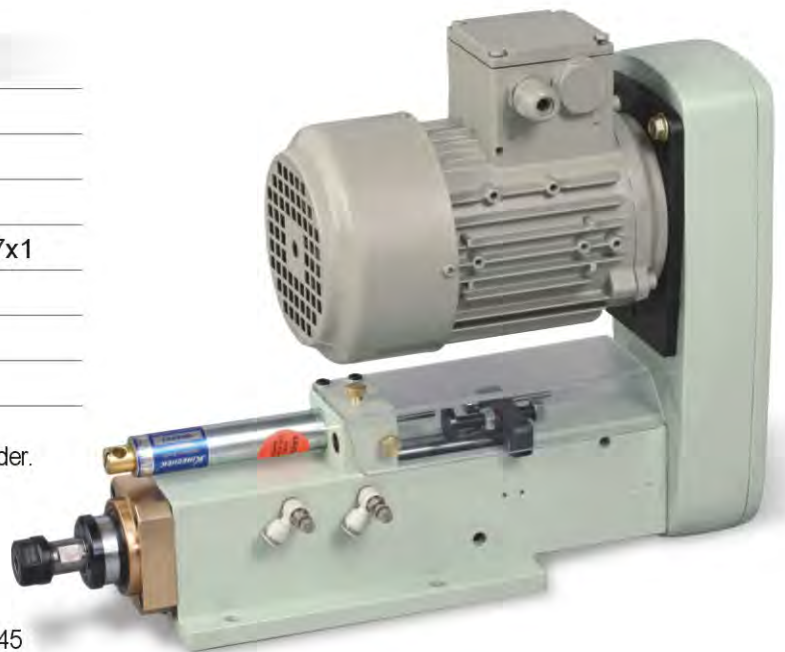
Specification

Pneumatic Pressure	4~6 kg/cm ²
Drilling Capacity	φ 5(mild steel)5kg/cm ²
Chuck Type	ER16- φ 10, JT1- φ 6.5, JT2- φ 10
Power	0.37kw-2P, 4P, 220V/380V
Max. Revolution/Minute	6,000rpm
Weight	20kg
Overall Stroke	55mm
Drilling Stroke	25mm or 50mm
Cylinder Diameter	φ 50
Cylinder Area	Forward 15.8cm ² , Backward 7.1cm ²
Thrust Force	79kg(5kg/cm ²)
Transmission Pulley	V-Shape, 189J, 201J

Consumption Parts

Spindle Bearing	a. 6002Zx2, 6001ZZx1
	b. 7002Ax2, 7001Ax1
Pulley Bearing	6203ZZx2
O-Ring for Front Cover	GLY-40x1, N-50x1 DKB40-52-7x1
O-Ring for Piston	OSY-50x2
O-Ring for Rear Cover	P22x1, P-22Ax1, SER-22x1
O-Ring for Sleeve	49.8-52.2x2

- RPM and chuck type should be given when placing order.
- There are two drilling strokes to choose from 25mm and 50mm.
- Selection of pneumatic or electrical micro switch.
- Motor and pulley can be mounted around the circle in 45 degree interval.

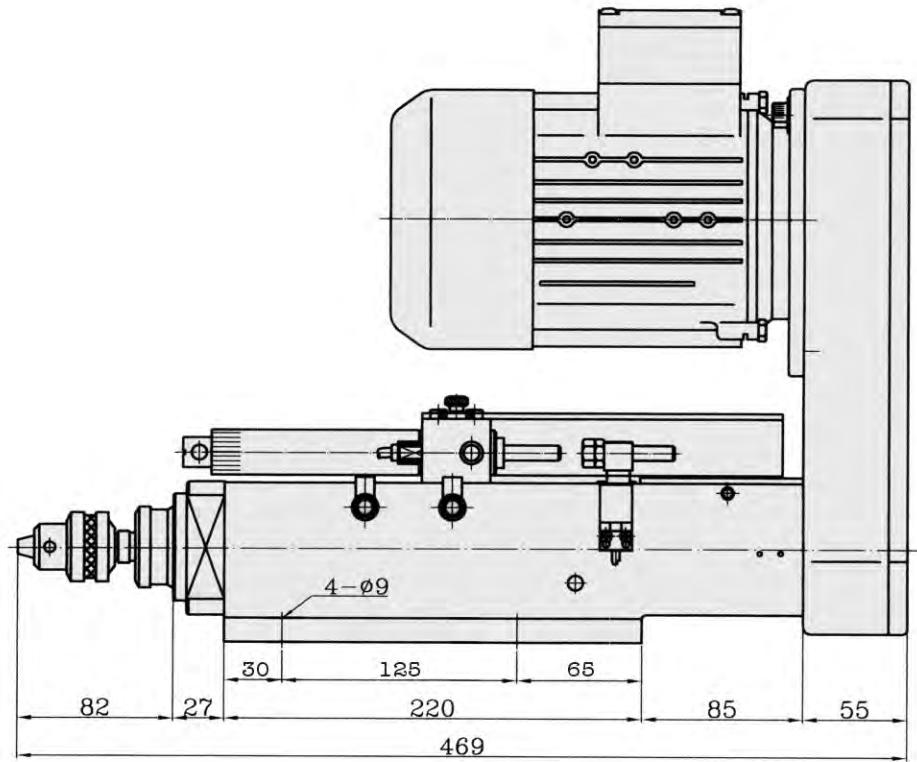
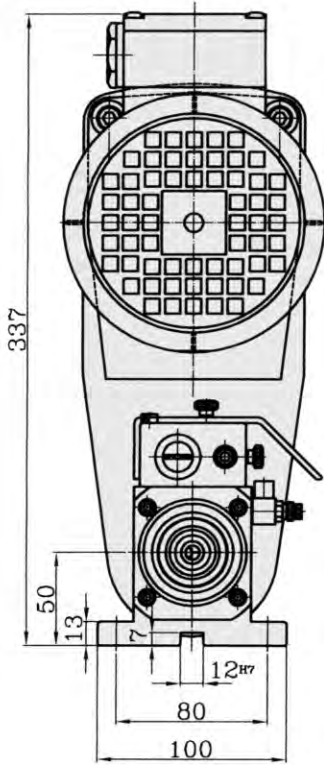




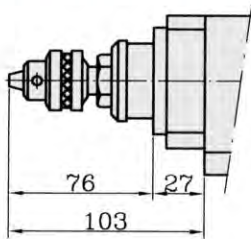
FD3-55

Drilling Unit

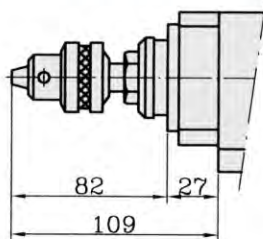
■ Dimensions



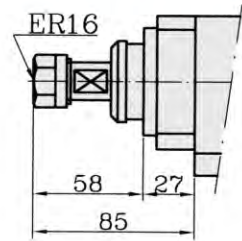
FD3-55-JT1



FD3-55-JT2



FD3-55-ER16





FD3-80

Drilling Unit

Specification

Pneumatic Pressure	4~6 kg/cm ²
Drilling Capacity	φ 5(mild steel)5kg/cm ²
Chuck Type	ER16- φ 10, JT1- φ 6.5, JT2- φ 10
Power	0.37kw-2P, 4P, 220V/380V
Max. Revolution/Minute	6,000rpm
Weight	22kg
Overall Stroke	80mm
Drilling Stroke	25mm or 50mm
Cylinder Diameter	φ 50
Cylinder Area	Forward 15.8cm ² , Backward 7.1cm ²
Thrust Force	79kg(5kg/cm ²)
Transmission Pulley	V-Shape, 189J, 201J

Consumption Parts

Spindle Bearing	a. 6002Zx2, 6001ZZx1
	b. 7002Ax2, 7001Ax1
Pulley Bearing	6203ZZx2
O-Ring for Front Cover	GLY-40x1, N-50x1 DKB40-52-7x1
O-Ring for Piston	OSY-50x2
O-Ring for Rear Cover	P22x1, P-22Ax1, SER-22x1, G-30X1
O-Ring for Sleeve	49.8-52.2x2

- RPM and chuck type should be given when placing order.
- There are two drilling strokes to choose from 25mm and 50mm.
- Selection of pneumatic or electrical micro switch.
- Motor and pulley can be mounted around the circle in 45 degree interval.

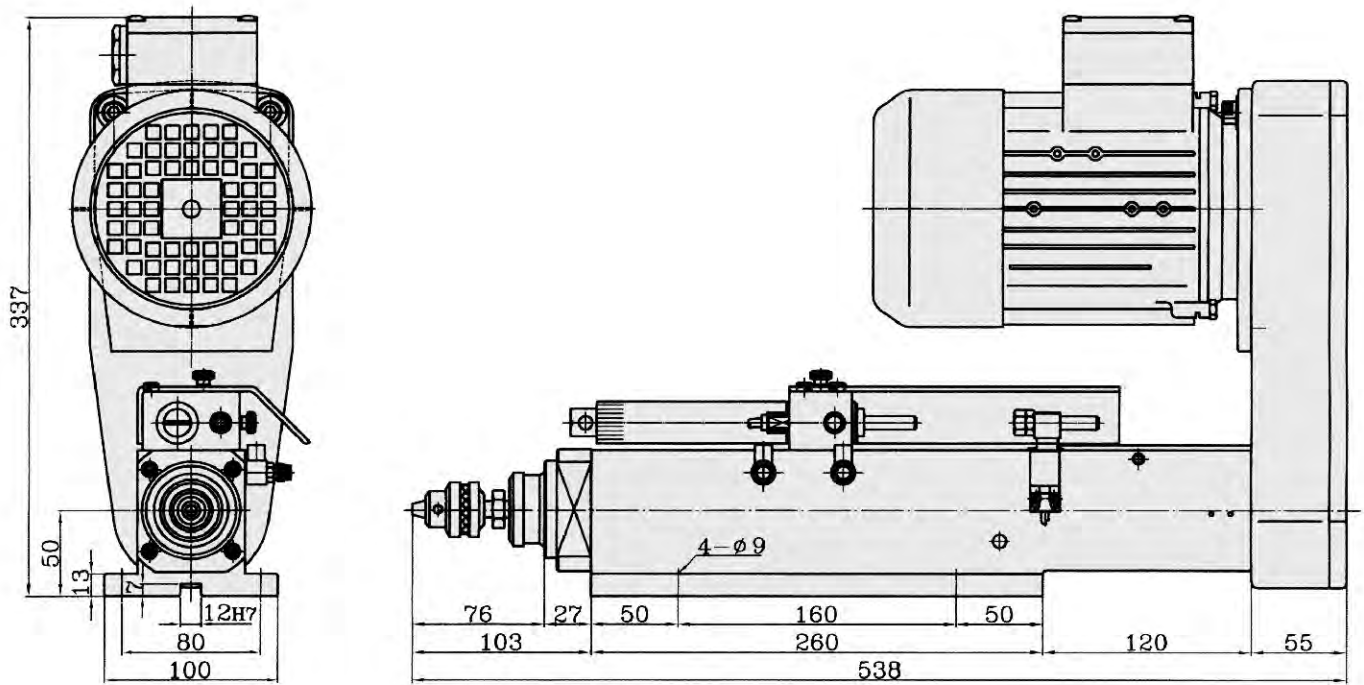




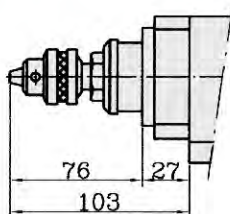
FD3-80

Drilling Unit

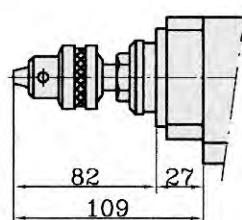
■ Dimensions



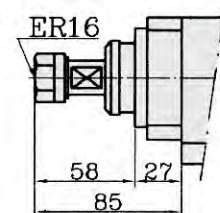
FD3-80-JT1



FD3-80-JT2



FD3-80-ER16





FD33-55

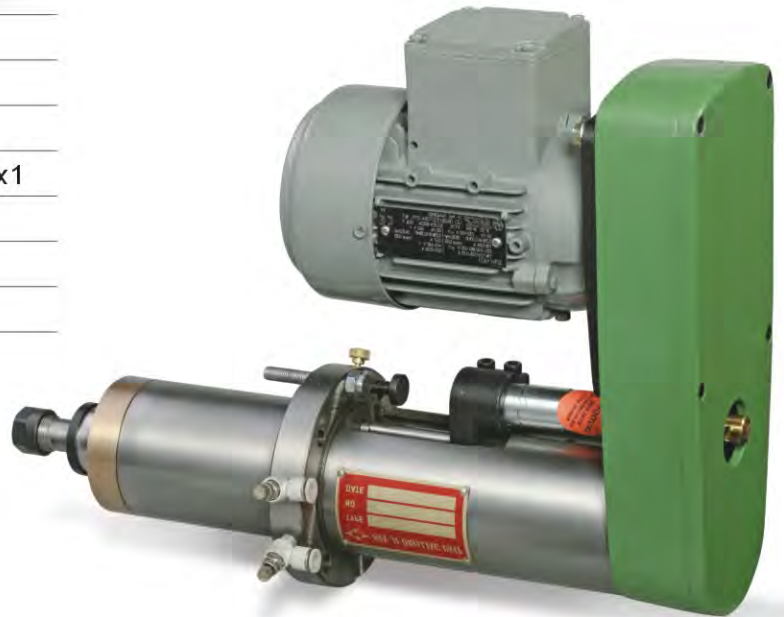
Drilling Unit

Specification

Pneumatic Pressure	4~6 kg/cm ²
Drilling Capacity	φ 5(mild steel)5kg/cm ²
Chuck Type	ER16- φ 10, JT1- φ 6.5, JT2- φ 10
Power	0.25kw-2P, 4P, 220V/380V
Max. Revolution/Minute	6,000rpm
Weight	19kg
Overall Stroke	55mm
Drilling Stroke	25mm or 50mm
Cylinder Diameter	φ 50
Cylinder Area	Forward 15.8cm ² , Backward 7.1cm ²
Thrust Force	79kg(5kg/cm ²)
Transmission Pulley	V-Shape, 189J, 201J

Consumption Parts

Spindle Bearing	a. 6002Zx2, 6001ZZx1
	b. 7002Ax2, 7001Ax1
Pulley Bearing	6203ZZx2
O-Ring for Front Cover	GLY-40x1, N-50x1 DKB40-52-70x1
O-Ring for Piston	OSY-50x2
O-Ring for Rear Cover	P22x1, P-22Ax1, SER-22x1
O-Ring for Sleeve	49.8x52.2-2

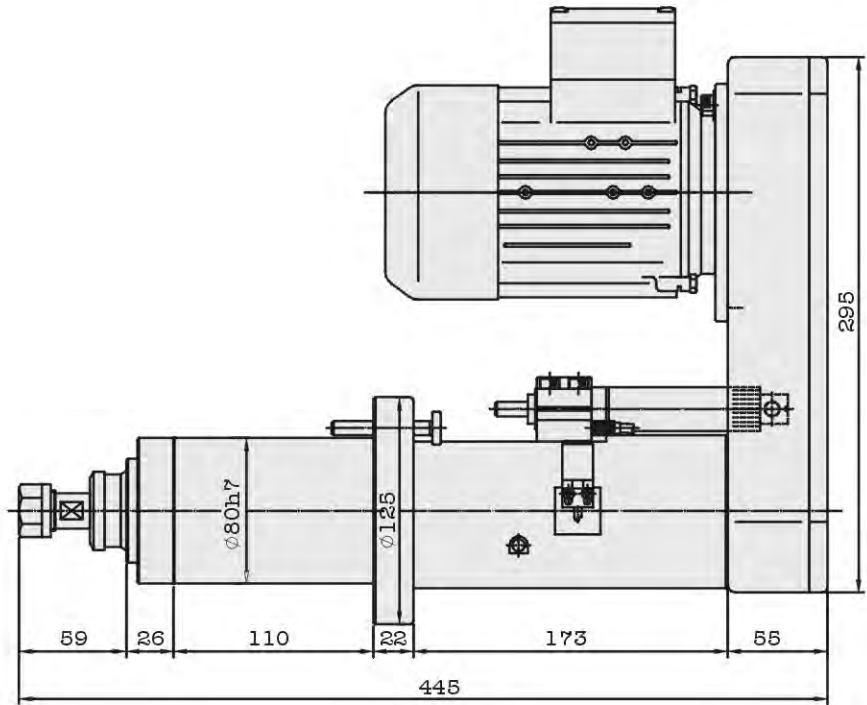
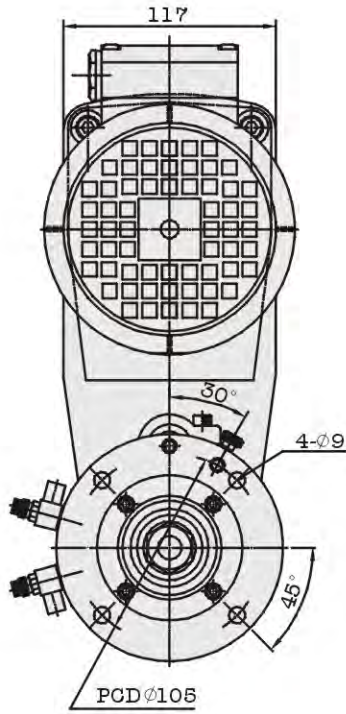




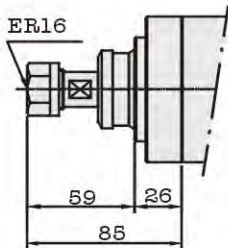
FD33-55

Drilling Unit

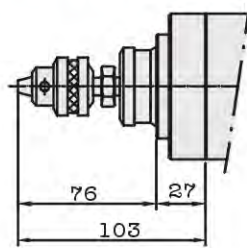
■ Dimensions



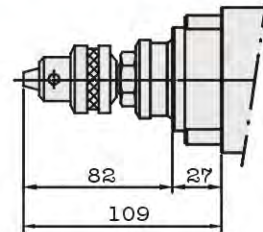
FD33-55-ER16



FD33-55-JT1



FD33-55-JT2





FD55-80

Drilling Unit

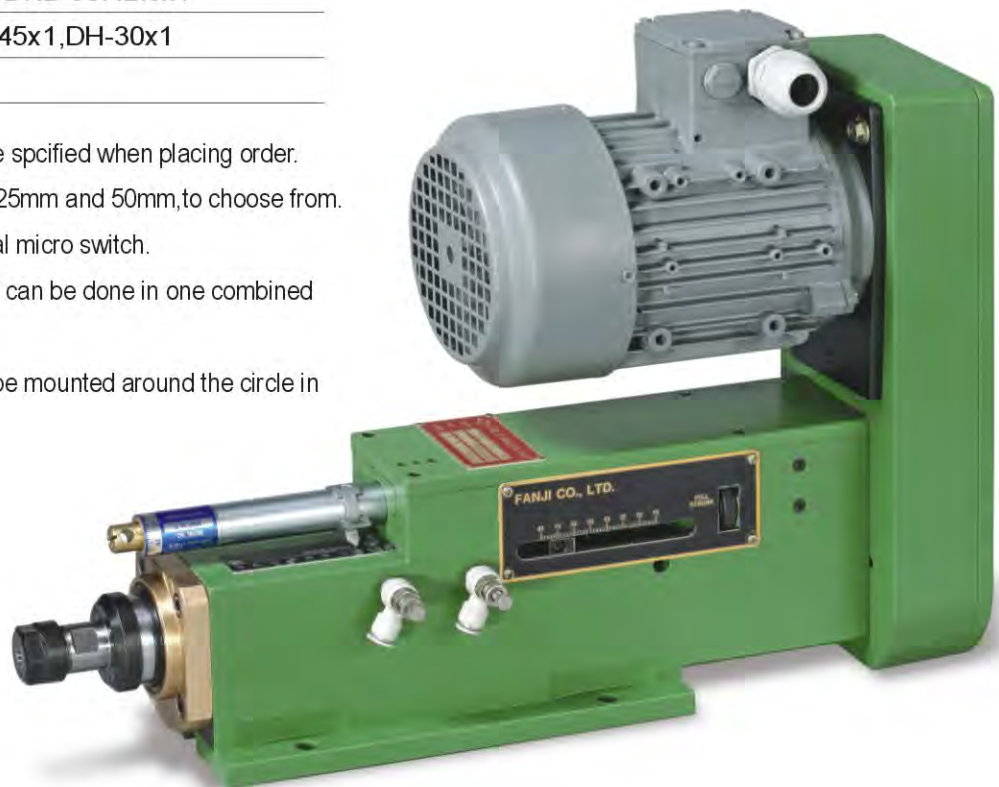
Specification

Pneumatic Pressure	5~6 kg/cm ²
Drilling Capacity	φ 8(mild steel)5kg/cm ²
Chuck Type	ER20- φ 13, JT6- φ 13
Power	0.37kw-2P,4P 0.75kw-2P,4P 220V/380V
Max. Revolution/Minute	5,000rpm
Weight	38kg
Overall Stroke	80mm
Drilling Stroke	25mm or 50mm
Cylinder Diameter	φ 63
Cylinder Area	Forward 24.1cm ² , Backward 11.6cm ²
Thrust Force	120kg(5kg/cm ²)
Transmission Pulley	V-Shape, 201J, 220J

Consumption Parts

Spindle Bearing	a. 6004Zx2, 6003ZZx1
	b. 7004x2, 7003x1
Pulley Bearing	6005ZZx1, 6205ZZx1
O-Ring for Front Cover	DKB-50.62.7X1, GLY-50x1, G-65x1
O-Ring for Piston	OSY-63x2, DKB-30.42.6x1
O-Ring for Rear Cover	P-30x1, G-45x1, DH-30x1
O-Ring for Sleeve	AS-038x1

- RPM and chuck type should be specified when placing order.
- There are two drilling strokes, 25mm and 50mm, to choose from.
- Equipped with internal electrical micro switch.
- Stroke and stopper adjustment can be done in one combined step.
- Motor and pulley location can be mounted around the circle in 45 degree interval.

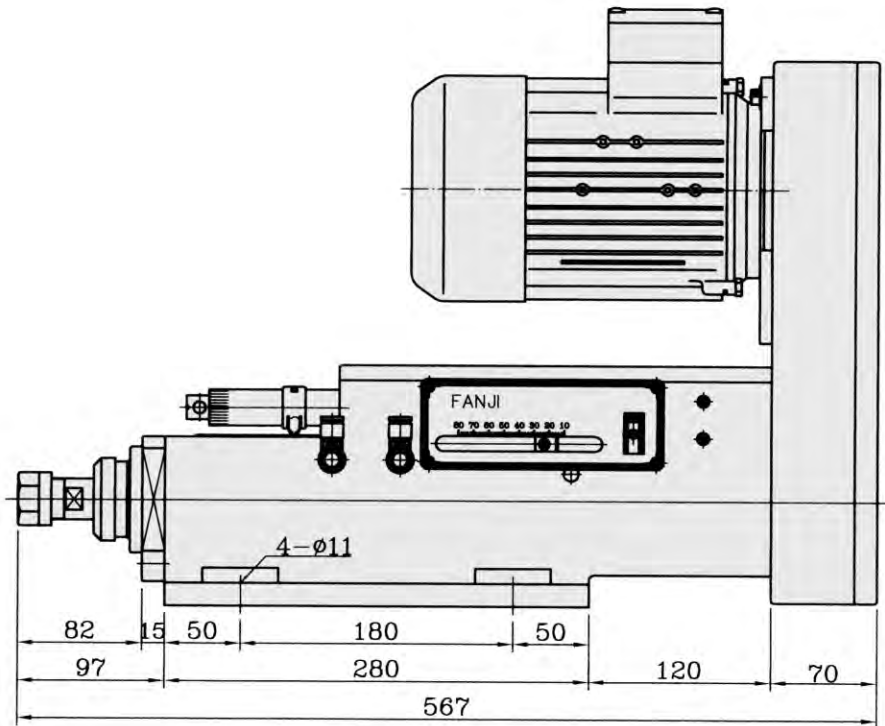
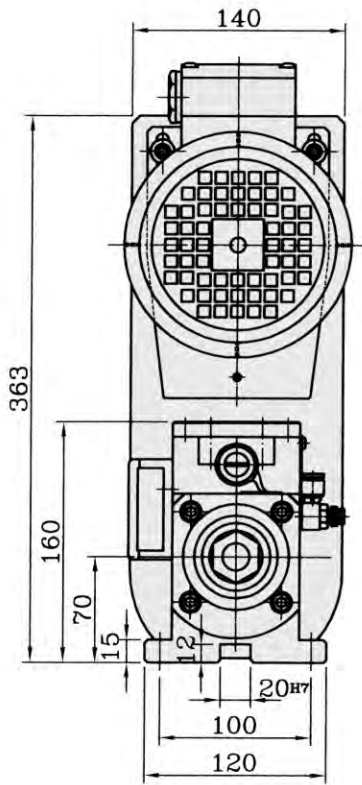




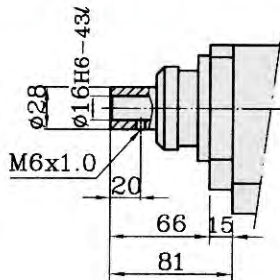
FD55-80

Drilling Unit

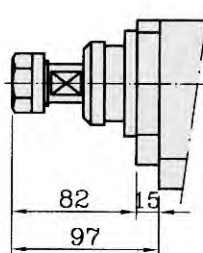
■ Dimensions



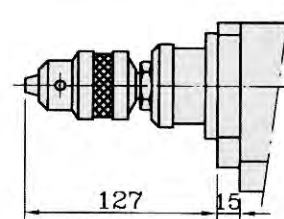
FD55-80-TM16



FD55-80-ER20



FD55-80-JT6





FD55H-80 Drilling Unit

Specification

Hydraulic Pressure	20~35 kg/cm ²
Drilling Capacity	φ 10(mild steel) at 5 kg/cm ²
Flow Control Valve	FCC-G02-4(L)
Chuck Type	ER20-φ 13, JT6-φ 13
Power	0.37kw-2P,4P 0.75kw-2P,4P 220V/380V
Max. Revolution/Minute	5,000rpm
Weigh	38kg
Overall Stroke	80mm
Thrust Force	480kg(20kg/cm ²)
Transmission Pulley	V-SHAPE, 201J, 220J

Consumption Parts

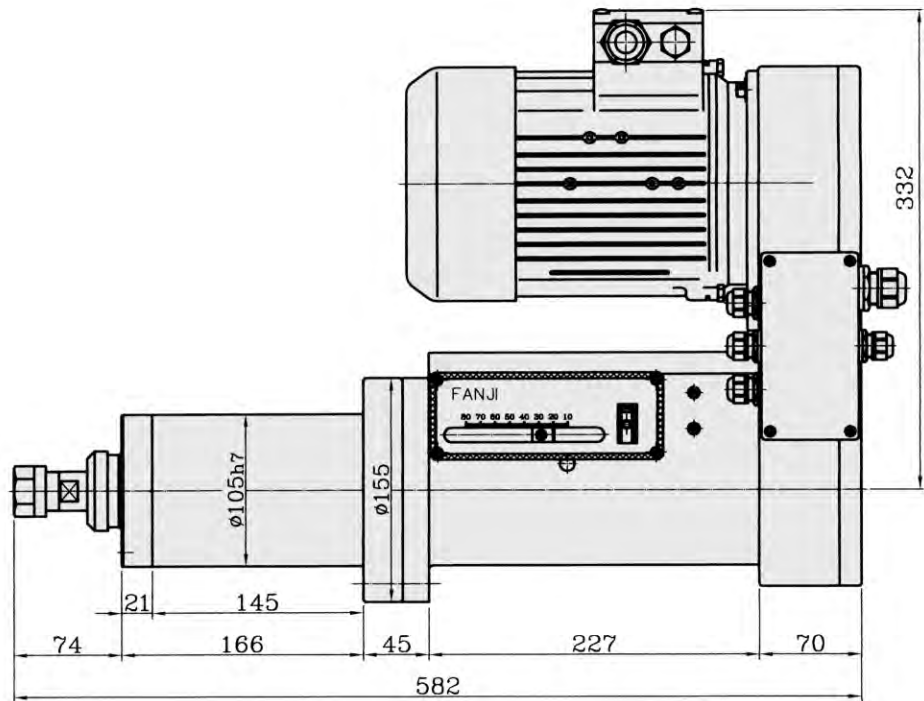
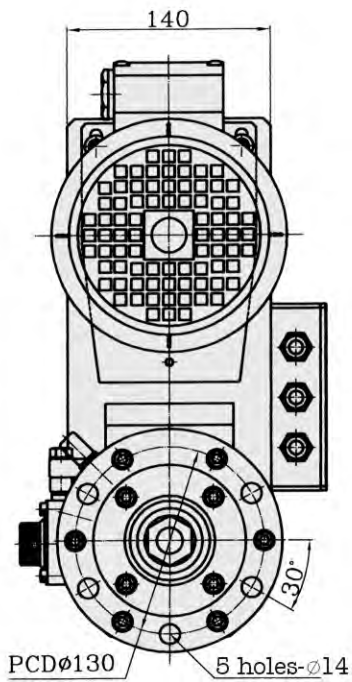
Spindle Bearing	a. 6004Zx2, 6003ZZx1
	b. 7004x2, 7003x1
Pulley Bearing	6005ZZx1, 6205ZZx1
O-Ring for Front Cover	DKB-50.62.7X1, SKY-50x1, G-65x1, P-50x1
O-Ring for Piston	OSY-63x2, P-35x1
O-Ring for Rear Cover	G-45x1, P-16x1, SKY-35x1, SDR-35x1



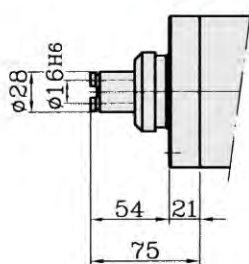


FD55H-80 Drilling Unit

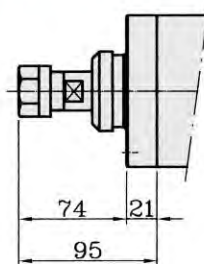
Dimensions



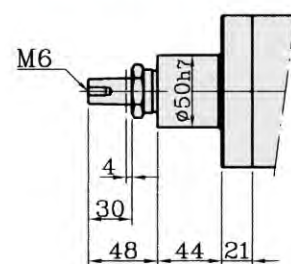
FD55H-80-KH16A



FD55H-80-ER20



FD55H-80-JT6





FD56-100

Drilling Unit

■ Specification

Pneumatic Pressure	5~6 kg/cm ²
Drilling Capacity	φ 12(mild steel) at 5 kg/cm ²
Transmission Pulley	a. A2-DP φ 91 b. HTD-5GT-62T c. A3DP φ 116, φ 101, φ 81
Power	0.75kw-2P, 4P 1.5kw-2P, 4P 220V/380V
Max. Revolution/Minute	3,800rpm
Weight	57kg
Overall Stroke	100mm
Drilling Stroke	25mm or 50mm
Cylinder Diameter	φ 80
Cylinder Area	Forward 43.2cm ² , Backward 30.6cm ²
Thrust Force	216kg(5 kg/cm ²)

■ Consumption Parts

Spindle Bearing	a. 32005x1, 6005Zx1, 32004x1, 6004Zx1 b. 7005x2, 7004x2
Pulley Bearing	a. 6008Zx1, 51208x1 or 51108x1 b. 7008x2
O-Ring for Front Cover	UHS-58x1, P-58x2, G-80x2
O-Ring for Piston	OSY-80x2, G-45x1, P-30x1
O-Ring for Rear Cover	P30x2, G-75x1
O-Ring for Sleeve	G-80x2
Bush Seal	SER-20x8

- RPM and chuck type should be given when placing order.
- There are two drilling strokes, 25mm and 50mm, to choose from.
- Mounted 2 external micro switches.
- Stroke and stopper adjustment can be done in one combined step.
- Motor and pulley location can be mounted around the circle in 180 degree interval.

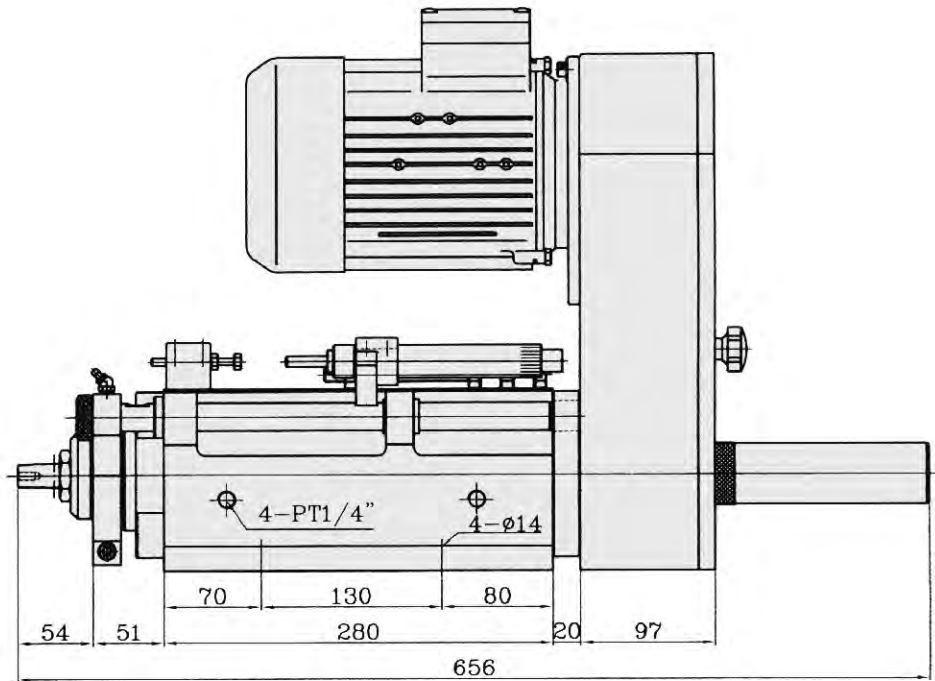
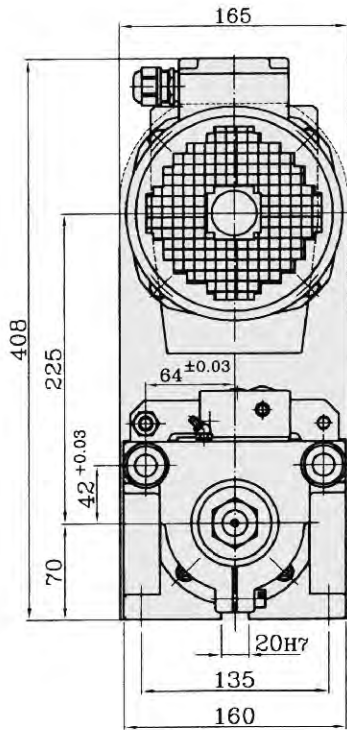




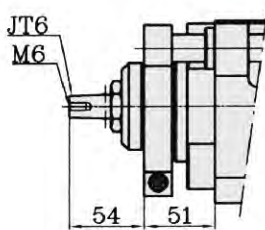
FD56-100

Drilling Unit

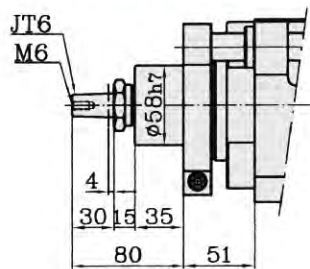
Dimensions



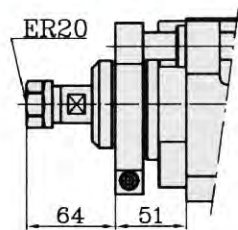
FD56-100-JT6



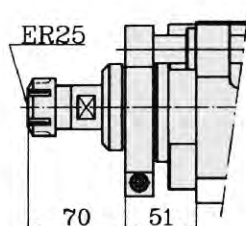
FD56M-100-JT6 Multi



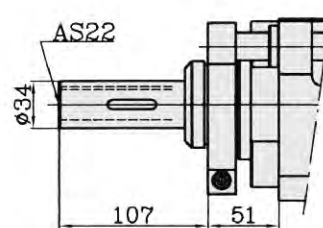
FD56-100-ER20



FD56-100-ER25



FD56-100-AS22





FD6-130

Drilling Unit

Specification

Hydraulic Pressure	20~25 kg/cm ²
Drilling Capacity	φ 16(mild steel)
Flow Control Valve	FCC-G02-4
Max. Revolution/Minute	2,000rpm
Weight	32kg
Stroke	130mm
Cylinder Diameter	φ 80
Cylinder Area	Forward 43.2cm ² , Backward 30.6cm ²
Thrust Force	864kg(20kg/cm ²)

Consumption Parts

Spindle Bearing	a. 32005x1, 6005Zx1, 32004x1, 6004Zx1
	b. 7005x2, 7004x2
Pulley Bearing	a. 6008Zx1, 51208x1 or 51108x1
	b.7008x2
O-Ring for Front Cover	UHS-58x1, P-58x1, USI-58-68-6x1, G-75x1
O-Ring for Piston	OSY-80x2, G-45x1
O-Ring for Rear Cover	P-30x1, PS-30x1, G75x1

- High rpm application is available, specify this requirement when placing order.
- Left side mounted fitting holes and flow control valve are available, specify this requirement with external electrical micro switch.
- The stopper is a safety device. It will shorten bearing life if applying pressure on stopper for too long.

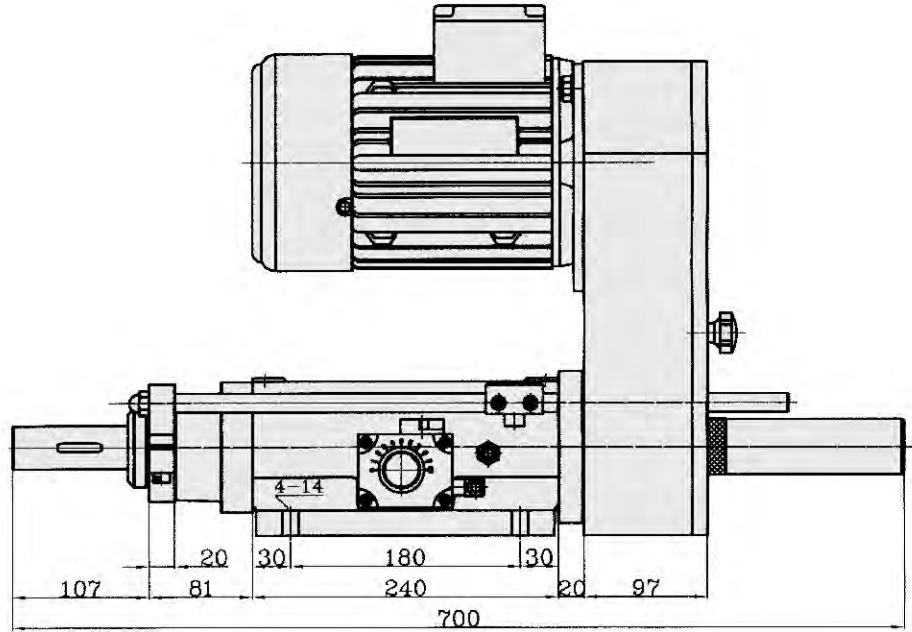
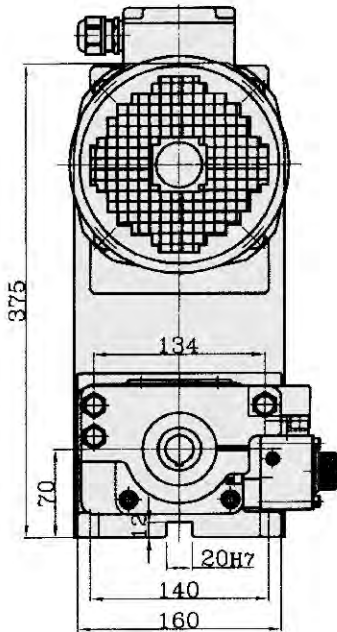




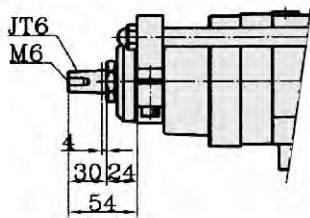
FD6-130

Drilling Unit

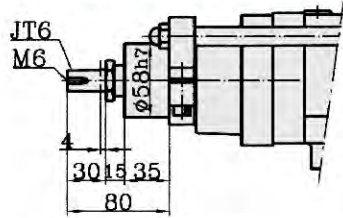
Dimensions



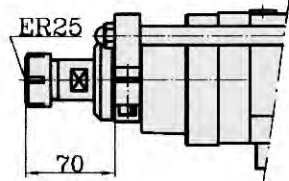
FD6-130-JT6



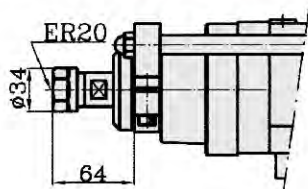
FD6M-130-JT6 Multi



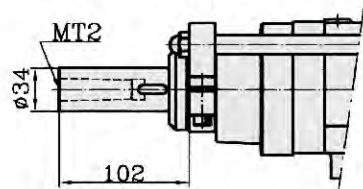
FD6-130-ER25



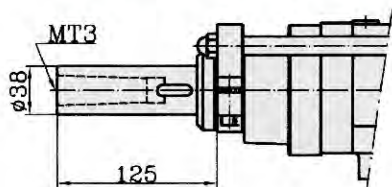
FD6-130-ER20



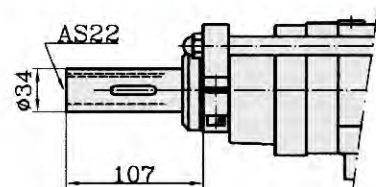
FD6-130-MT2



FD6-130-MT3



FD6-130-AS22





FD62-100

Drilling Unit

Specification

Hydraulic Pressure	20~25kg/cm ²
Drilling Capacity	φ 16(mild steel)
Flow Control Valve	FCC-G02-4(R)
Max. Revolution/Minute	3,800rpm
Weight	66kg
Stroke	100mm
Cylinder Diameter	φ 80
Cylinder Area	Forward 43.2cm ² , Backward 30.6cm ²
Thrust Force	860kg(20kg/cm ²)
Power	0.75kw-2P or 4P, 220V/380V
Transmission	a. A2-DP φ 91 b. HTD-5GT-62T c. A3DP φ 116, φ 101, φ 81

Consumption Parts

Spindle Bearing	a. 32005x1, 6005Zx1, 32004x1, 6004Zx1 b. 7005x2, 7004x2
Pulley Bearing	a. 6008Zx1, 51208x1 or 51108x1 b. 7008x2
O-Ring for Front Cover	UHS-58x1, P-58x1, USI-58-68-6x1, G-80x2
O-Ring for Piston	OSY-80x2, G-45x1
O-Ring for Rear Cover	P30x1, T601-30.40.6x1, G-75x1
O-Ring for Cylinder	G-80x2
Bush Seal	SER-20x8

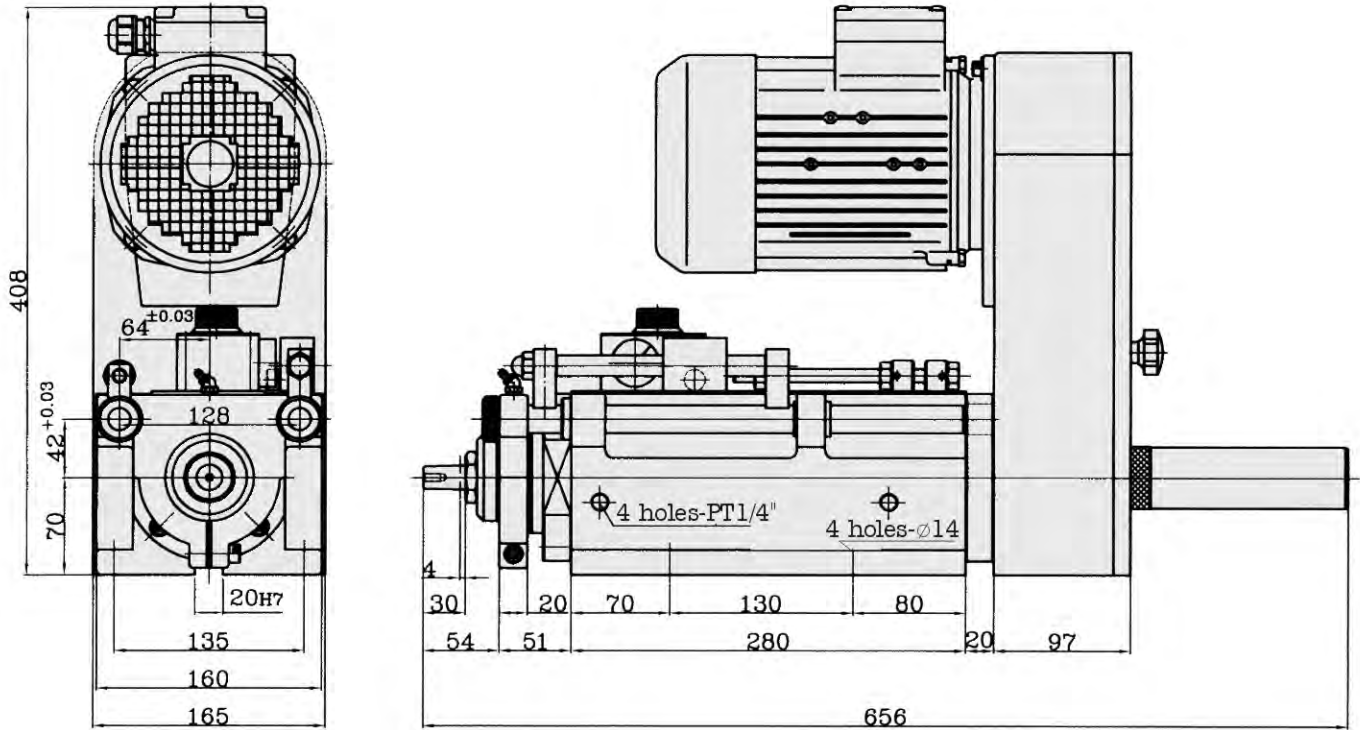




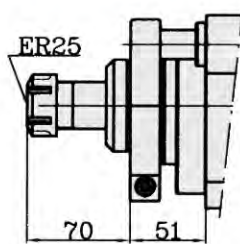
FD62-100

Drilling Unit

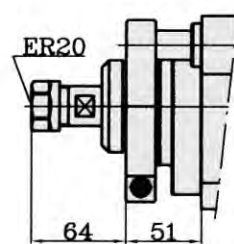
Dimensions



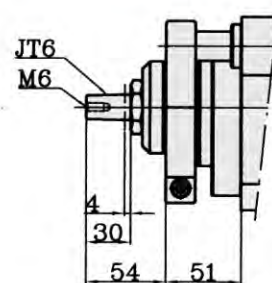
FD62-100-ER25



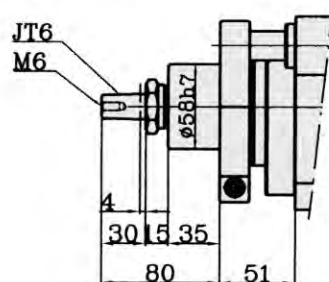
FD62-100-ER20



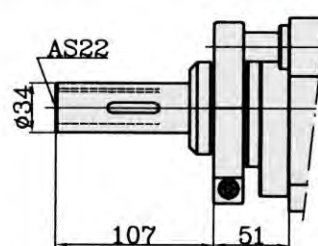
FD62-100-JT6



FD62-100-JT6 Multi



FD62-100-AS22





FD66-100

Drilling Unit

■ Specification

Hydraulic Pressure	20~25kg/cm ²
Drilling Capacity	φ 20(mild steel)
Flow Control Valve	FCC-G02-4(R)
Max. Revolution/Minute	3,800rpm
Weight	66kg
Stroke	100mm
Cylinder Diameter	φ 80
Cylinder Area	Forward 37.7cm ² , Backward 17.1cm ²
Thrust Force	754kg(20kg/cm ²)
Chuck Type	ER32- φ 20, JT6- φ 13
Power	1.5kw-2P or 4P, 220V/380V

■ Consumption Parts

Spindle Bearing	a. 32006x1, 6006Zx1, 32005x1, 6005Zx1
	b. 7006x2, 7005x2
Pulley Bearing	51209x1, 6009Zx1
O-Ring for Front Cover	DH-65x1, SKY-65x1, G-80x2
O-Ring for Piston	OSY-80x2, G-45x1
O-Ring for Rear Cover	P35x1, SKY-35x1, G-75x1
Bush Seal	SER-20x8

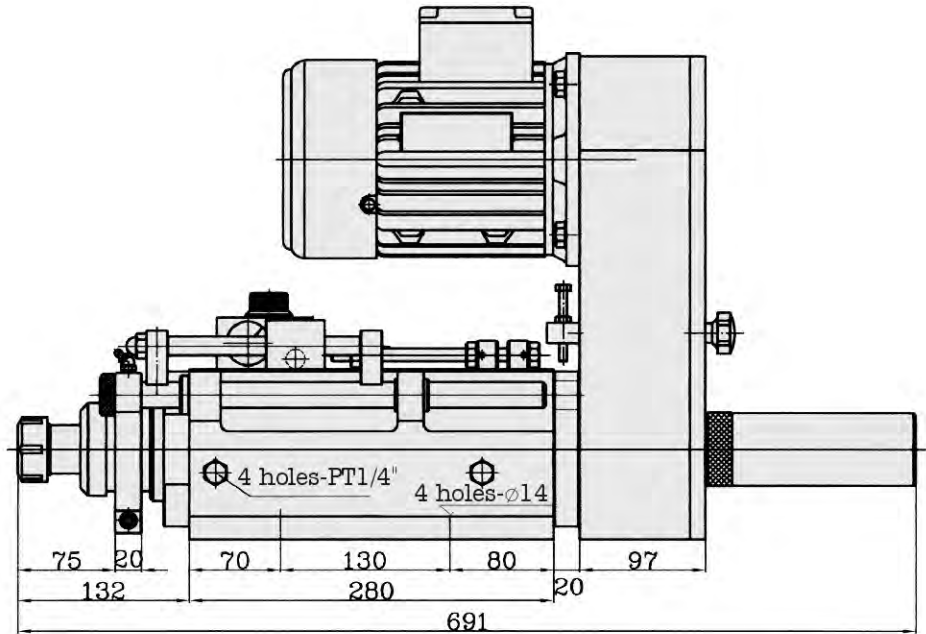
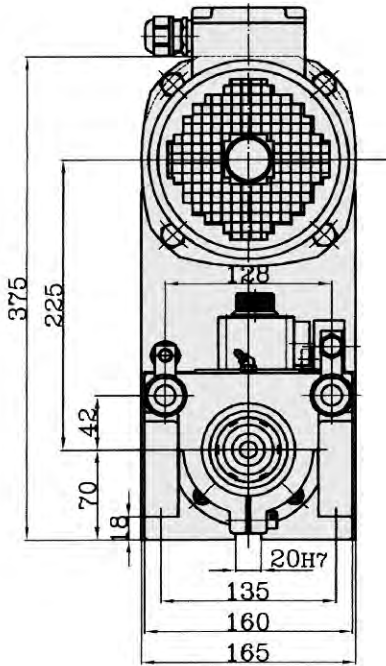




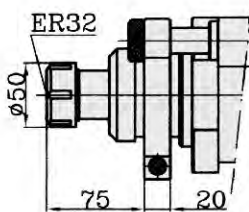
FD66-100

Drilling Unit

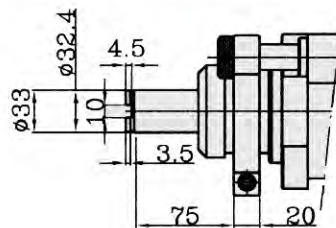
Dimensions



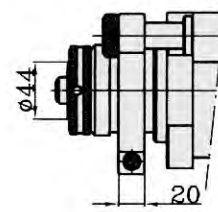
FD66-100-ER32



FD66-100-KH22A



FD66-100-HSK40





FD67-60

Drilling Unit

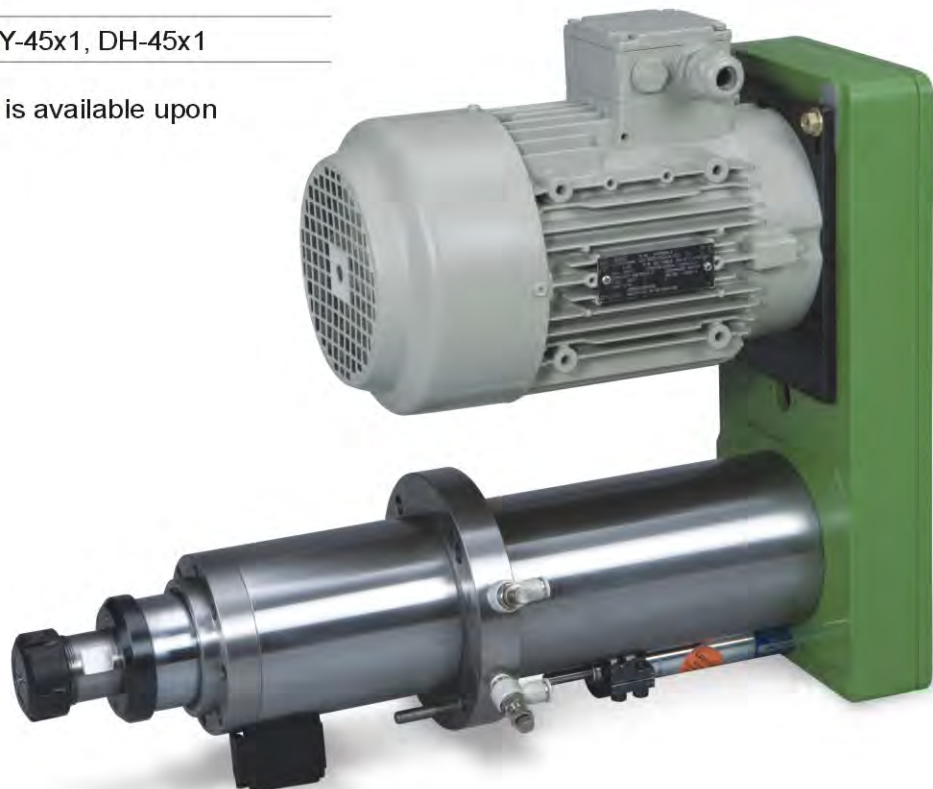
Specification

Pneumatic Pressure	4~6 kg/cm ²
Drilling Capacity	φ 12(mild steel) 5 kg/cm ²
Chuck Type	ER32- φ 20
Power	2.2kw-2P, 4P, 220V/380V
Max. Revolution/Minute	3,500rpm
Weight	43kg
Stroke	60mm
Drilling Stroke	0~50mm
Cylinder Diameter	φ 80
Cylinder Area	Forward 34.36cm ² , Backward 17.08cm ²
Thrust Force	172kg(5kg/cm ²)
Thrust Force	7MS, V-Shape

Consumption Parts

Spindle Bearing	7006x2, 7005x1
Pulley Bearing	6907ZZx2
O-Ring for Front Cover	DH65x1, USH-65X1, G-75x1
O-Ring for Piston	OSY-80x2
O-Ring for Rear Cover	P45x1, GLY-45x1, DH-45x1

- Coolant through spindle is available upon request.

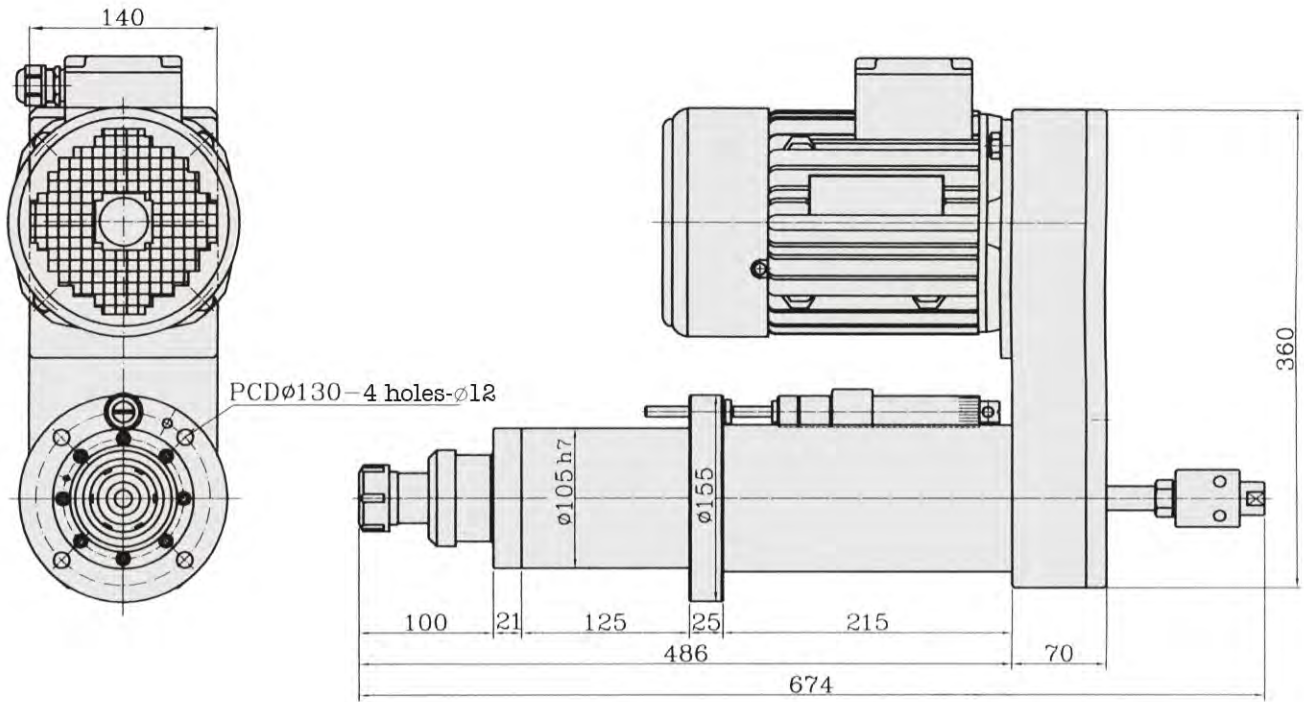




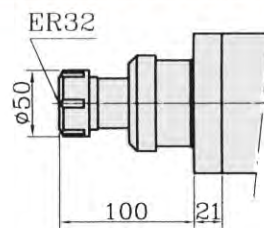
FD67-60

Drilling Unit

■ Dimensions



FD67-60-ER32





FD7-150

Drilling Unit

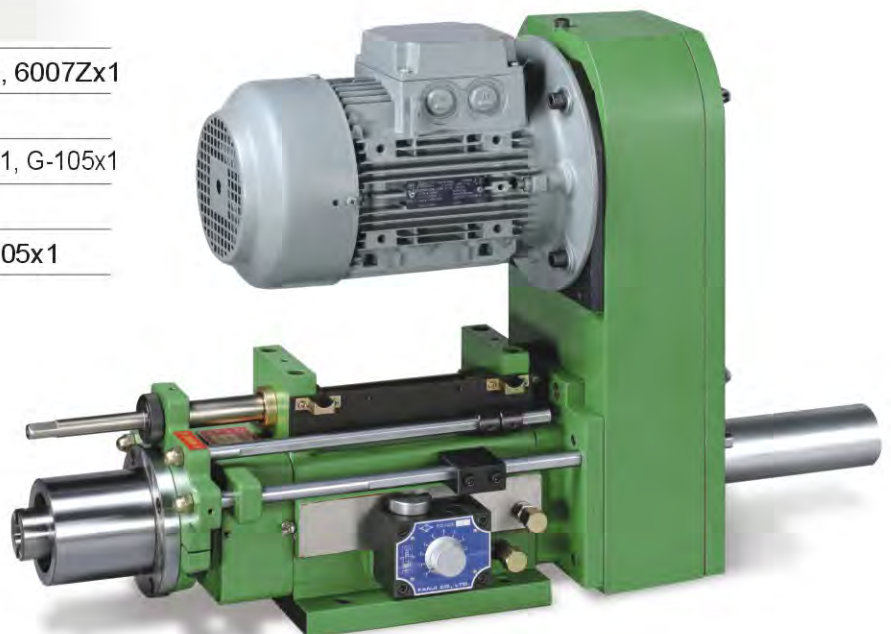
Specification

Hydraulic Pressure	20~35kg/cm ²
Drilling Capacity	φ 25(mild steel)
Flow Control Valve	FCC-G03-8
Max. Revolution/Minute	1,500rpm
Weight	63kg
Stroke	150mm
Cylinder Diameter	φ 110
Cylinder Area	Forward 71.2cm ² , Backward 44.8cm ²
Thrust Force	1,420kg(20kg/cm ²)

Consumption Parts

Spindle Bearing	32008x1, 6008Zx1, 32007x1, 6007Zx1
Pulley Bearing	6013Zx1, 51213x1
O-Ring for Front Cover	DH80x1, P-80x1, T601-80-90-6x1, G-105x1
O-Ring for Piston	P-100x2, G-65x1
O-Ring for Rear Cover	P55x1, T601-55-65-6x1, G-105x1

- The unit can be mounted on machine with its base or front end.
- Left side mounted fitting holes and flow control valve are available, specify this requirement when placing order.
- The stopper is a safety device. It will shorten bearing life if applying pressure on stopper constantly or too long.
- If mounting multiple spindle head to this unit, please choose spindle type: FD7M-150M-MT3B.

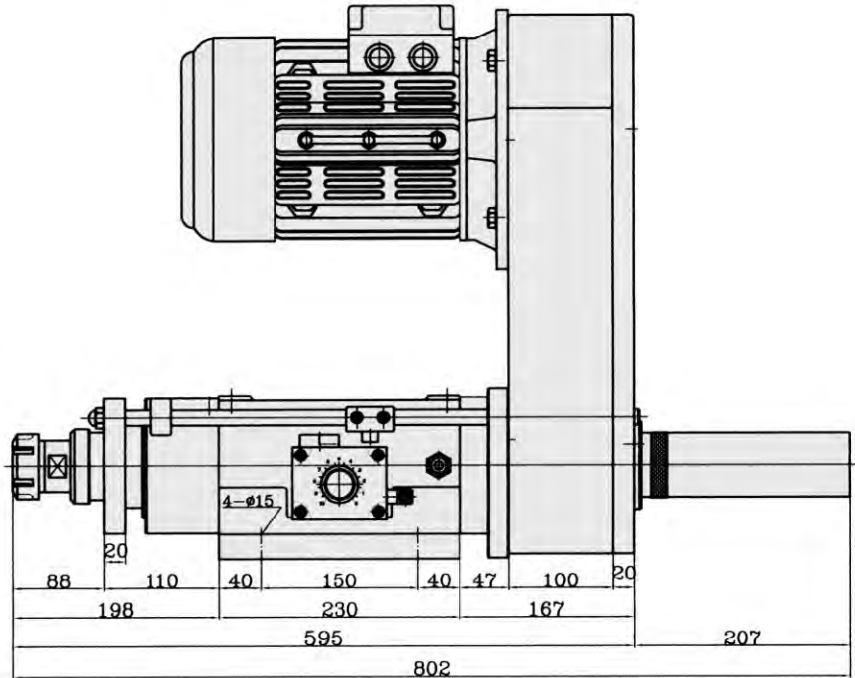
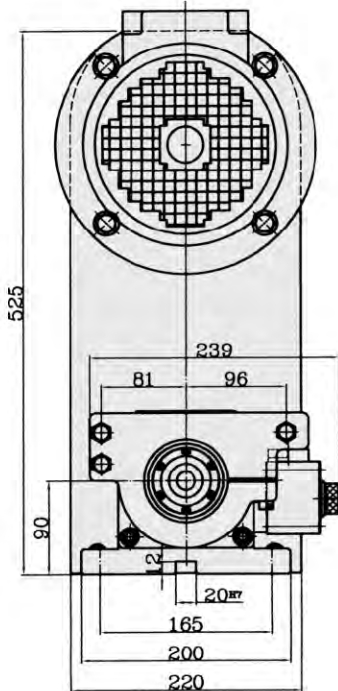




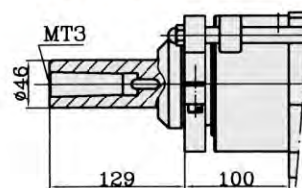
FD7-150

Drilling Unit

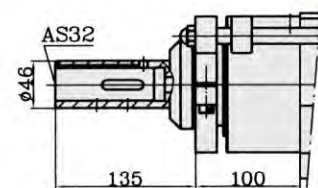
■ Dimensions



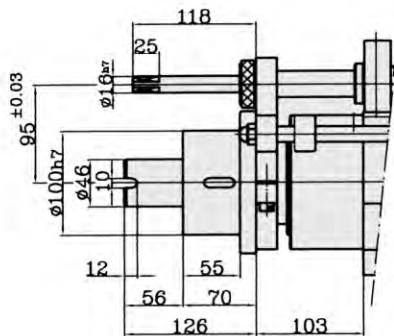
FD7-150-MT3A



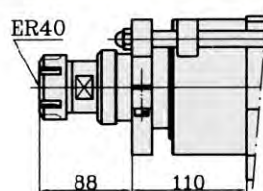
FD7-150-AS32



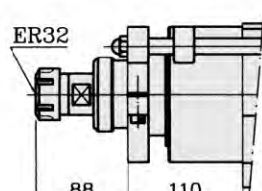
FD7M-150-MT3A For multiple or single spindle



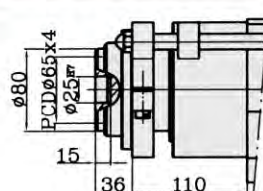
FD7-150-ER40



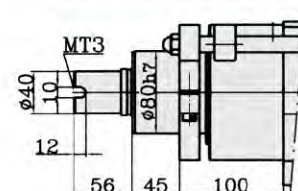
FD7-150-ER32



FD7-150-FB30



FD7M-150-MT3B Multi





FD73-135

Drilling Unit

■ Specification

Hydraulic Pressure	20~45kg/cm ²
Drilling Capacity	φ 25(mild steel)
Power	1.5-3.7kw, 4P, 220V/380V
Max. Revolution/Minute	3,000rpm
Weight	125kg
Stroke	Hydraulic-50~135mm Manual-50mm
Cylinder Diameter	φ 100
Cylinder Area	Forward 54.78cm ² , Backward 28.27cm ²
Thrust Force	1,640kg(30kg/cm ²)

■ Consumption Parts

Spindle Bearing	32008x1, 6008Zx1, 32007x1, 6007Zx1
Pulley Bearing	6013Zx2
O-Ring for Front Cover	DH-80x1, P-80x1, T601-80-90-6x1, G-105x1
O-Ring for Piston	P-90x2, G-65x1
O-Ring for Rear Cover	P55x1, T601-55-65-6x1, G-105x1

- This unit is mounted on a manual slide.
- Always use full hydraulic stroke.
- Stopper on spindle tail is not used.
- Suitable for higher RPM or high pressure.

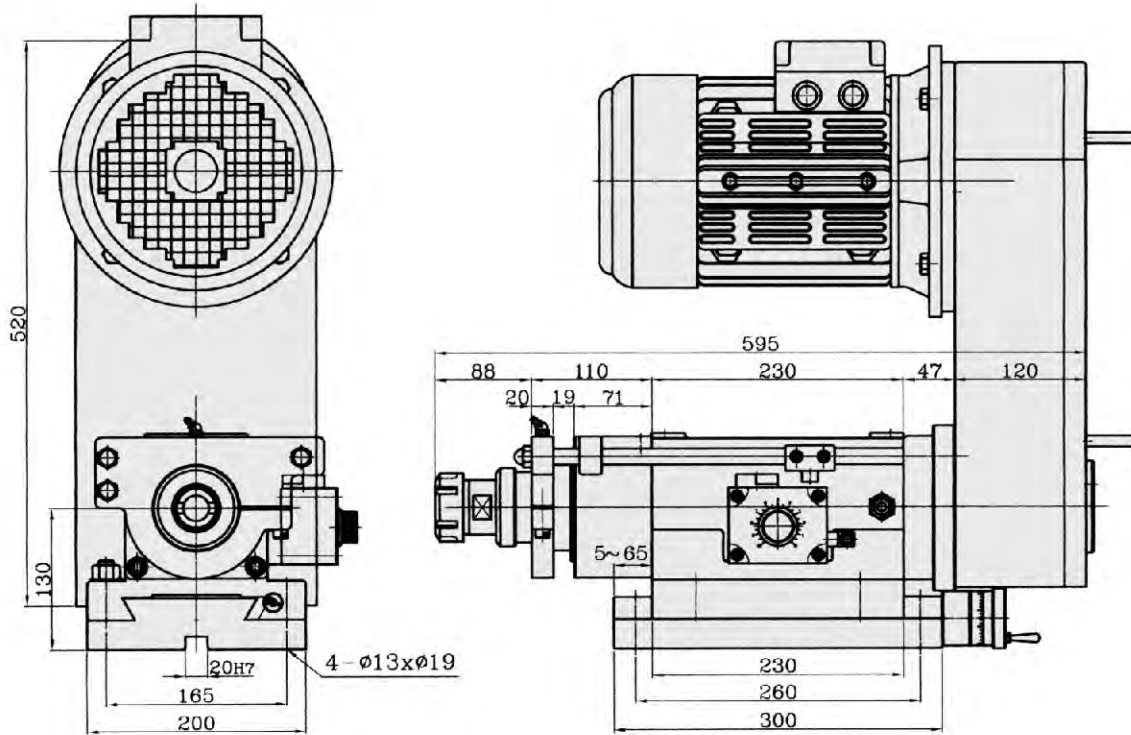




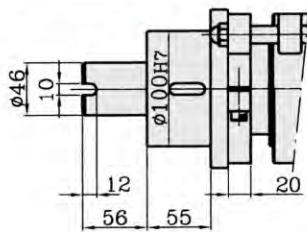
FD73-135

Drilling Unit

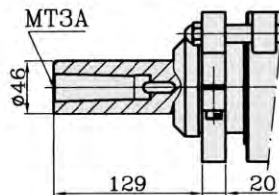
Dimensions



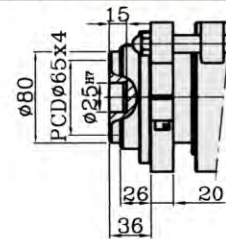
FD73M-135-MT3A Multi



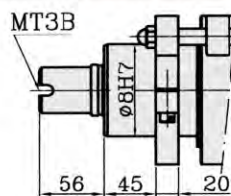
FD73-135-MT3A



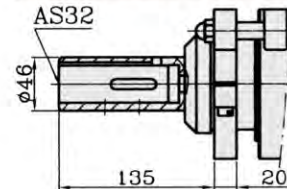
FD73-135-FB30



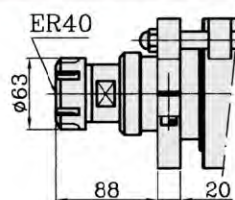
FD73-135-MT3B Multi



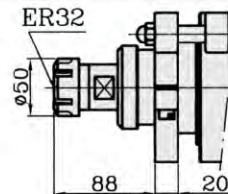
FD73-135-AS32



FD73-135-ER40



FD73-135-ER32





FD75-100

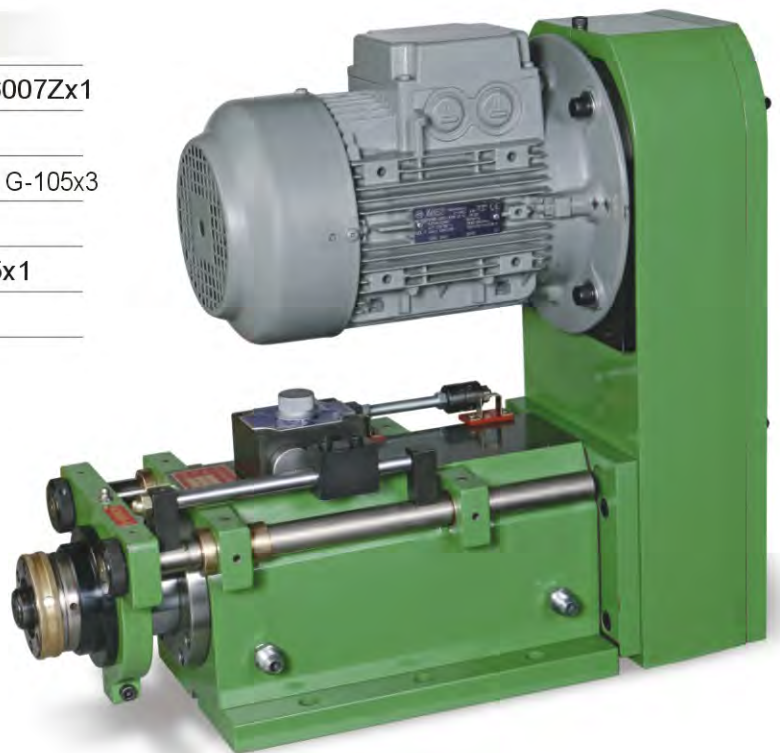
Drilling Unit

Specification

Hydraulic Pressure	20~35kg/cm ²
Drilling Capacity	φ 30(mild steel)
Flow Control Valve	FCC-G03-8(L)
Max. Revolution/Minute	1,800rpm
Weight	85kg (weight of motor,pulley and belt not included)
Stroke	100mm
Cylinder Diameter	φ 110
Cylinder Area	Forward 71.2cm ² , Backward 44.8cm ²
Thrust Force	1,420kg(20kg/cm ²)

Consumption Parts

Spindle Bearing	32008x1, 6008Zx1, 32007x1, 6007Zx1
Pulley Bearing	6013Zx1, 51213x1
O-Ring for Front Cover	DH-80x1, P-80x1, T601-80-90-6x1, G-105x3
O-Ring for Piston	P-100x2, G-65x1
O-Ring for Rear Cover	P55x1, T601-55-65-6x1, G-105x1
O-Ring for Cylinder	G-110x3

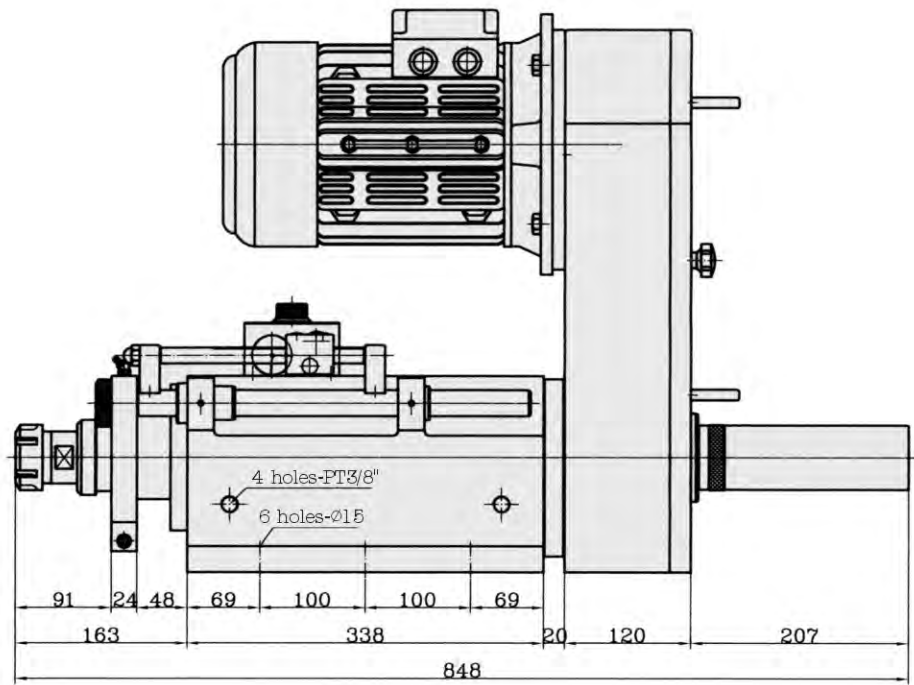
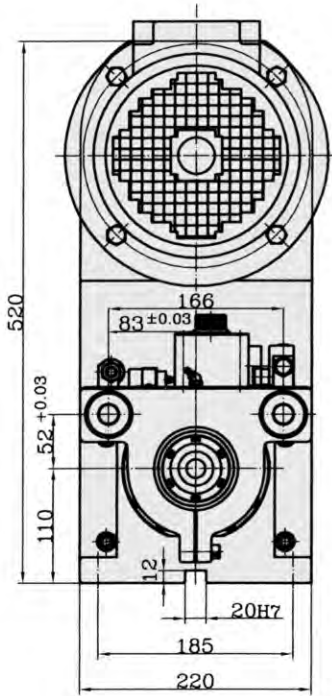




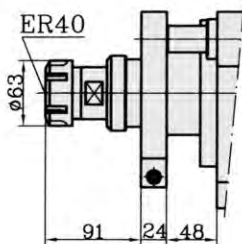
FD75-100

Drilling Unit

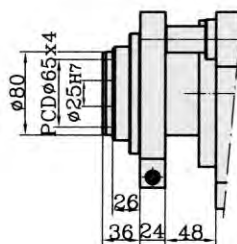
■ Dimensions



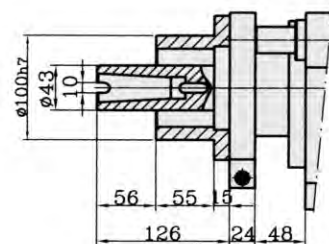
FD75-100-ER40



FD75-100-FB30



FD75M-100-MT3A Multi





FD78-100

Drilling Unit

Specification

Hydraulic Pressure	20~45kg/cm ²
Drilling Capacity	φ 30(mild steel)
Power	1.5~3.7kw, 220V/380V
Max. Revolution/Minute	3,000rpm
Weight	175kg
Stroke	Hydraulic-50~100mm, Manual-50mm
Cylinder Diameter	φ 110
Cylinder Area	Forward 71.2cm ² , Backward 44.8cm ²
Thrust Force	2,136kg(30kg/cm ²)

Consumption Parts

Spindle Bearing	32008x1, 6008Zx1, 32007x1, 6007Zx1
Pulley Bearing	6013Zx2
O-Ring for Front Cover	DH-80x1, P-80x1, T601-80-90-6x1, G-105x3
O-Ring for Piston	P-100x2, G-65x1
O-Ring for Rear Cover	P55x1, T601-55-65-6x1, G-105x1

- This unit is mounted on a manual slide.
- Always use full hydraulic stroke.
- Stopper on spindle tail is not used.
- Suitable for higher RPM or high pressure.

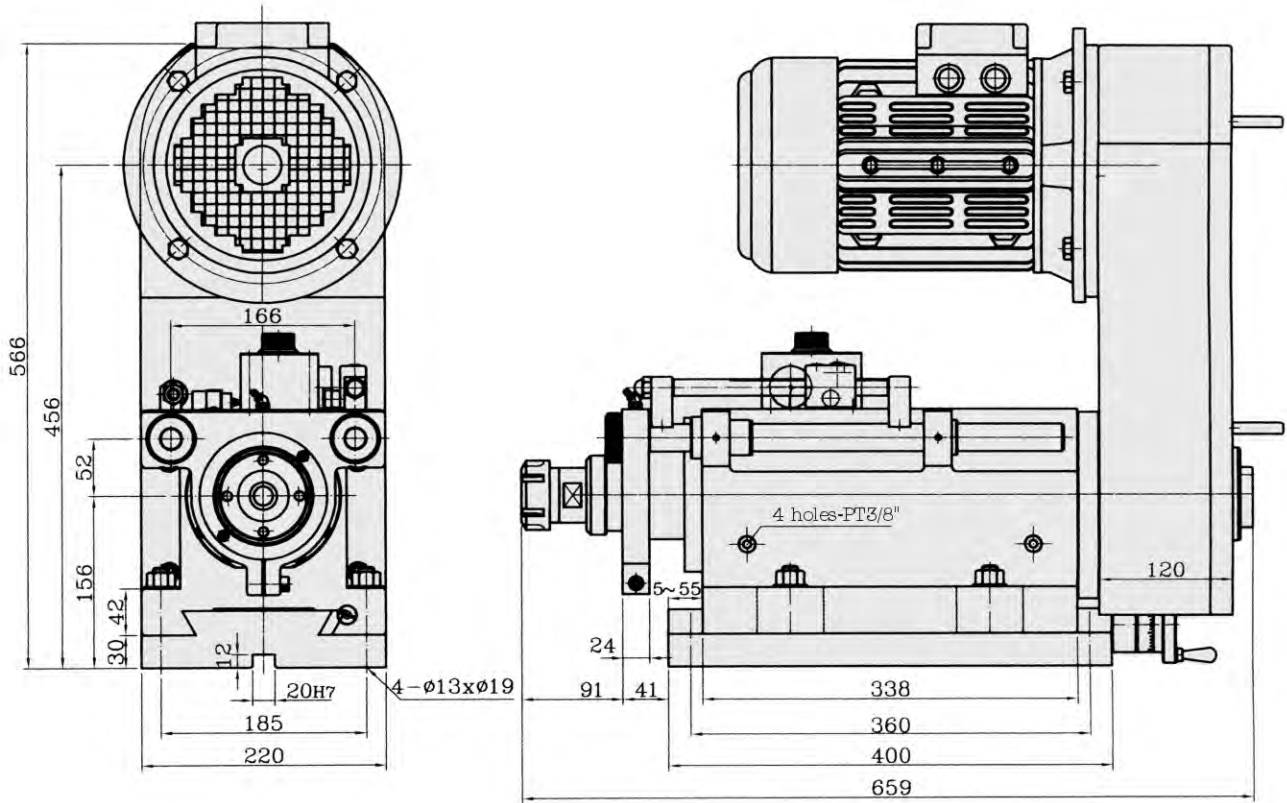




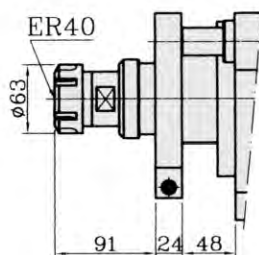
FD78-100

Drilling Unit

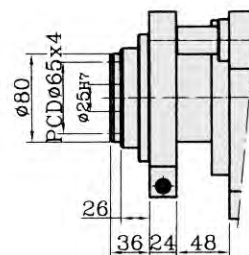
■ Dimensions



FD78-100-ER40



FD78-100-FB30





FD8-150

Drilling Unit

■ Specification

Hydraulic Pressure	20~35kg/cm ²
Drilling Capacity	φ 35(mild steel)
Flow Control Valve	FCC-G03-8
Max. Revolution/Minute	1,500rpm
Weight	67kg
Stroke	150mm
Cylinder Diameter	φ 110
Cylinder Area	Forward 71.2cm ² , Backward 31.4cm ²
Thrust Force	1,420kg(20kg/cm ²)

■ Consumption Parts

Spindle Bearing	32009x1, 6009Zx1, 32008x1, 6008Zx1
Pulley Bearing	6013Zx1, 51213x1
O-Ring for Front Cover	DH-90x1, P-90x1, USI-90-100-6x1, G-115x1
O-Ring for Piston	P-100x2, G-65x1
O-Ring for Rear Cover	P55x1, T601-55.65.6x1, G-105x1

- High rpm application is available, specify this requirement when placing order.
- Left side mounted fitting holes and flow control valve are available, specify this requirement when placing order.
- The stopper is a safety device. It will shorten bearing life if applying pressure on stopper for too long.
- If mounting multiple spindle head to this unit, spindle nose type:FD8M-150-MT4B is recommended.

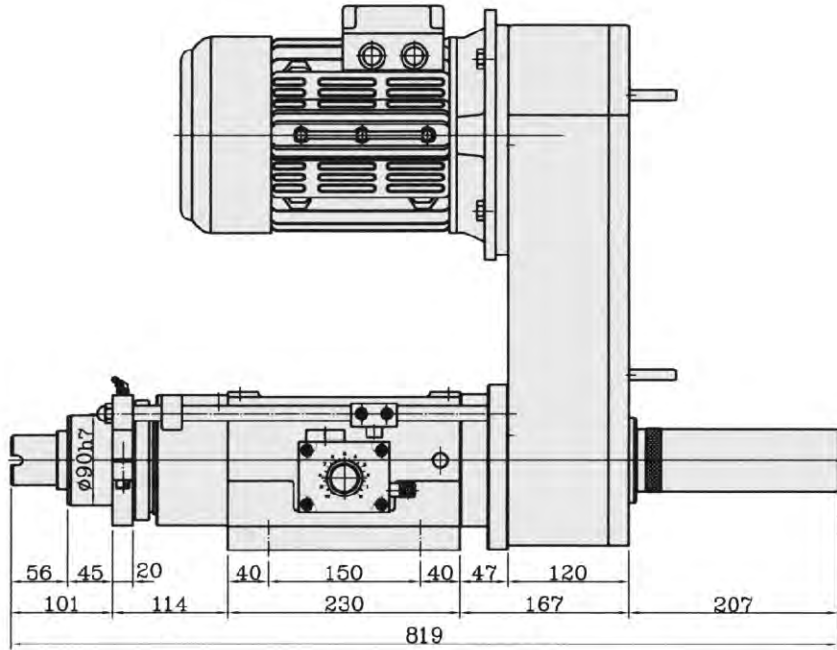
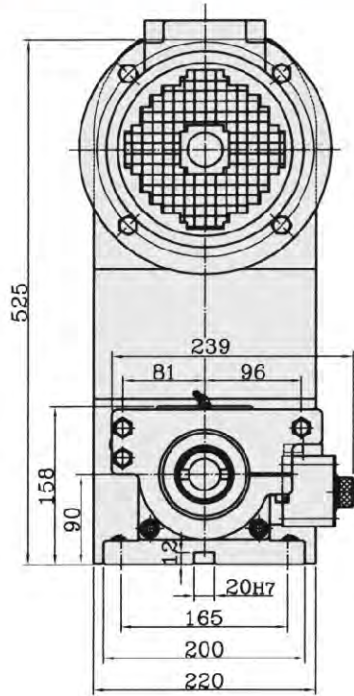




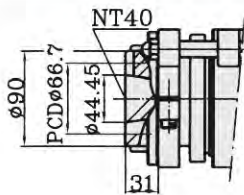
FD8-150

Drilling Unit

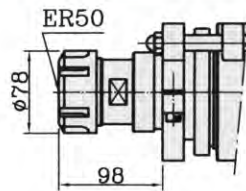
■ Dimensions



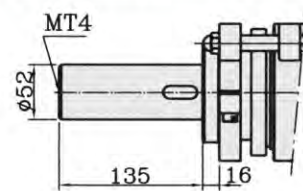
FD8-150-NT40



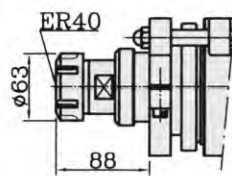
FD8-150-ER50



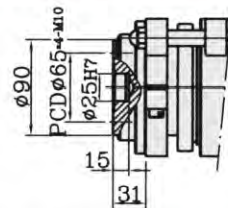
FD8-150-MT4A



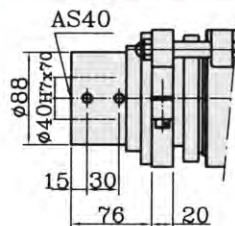
FD8-150-ER40



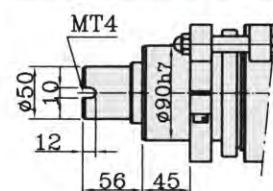
FD8-150-FB30



FD8-150-AS40



FD8M-150-MT4B Multi





FD85-100

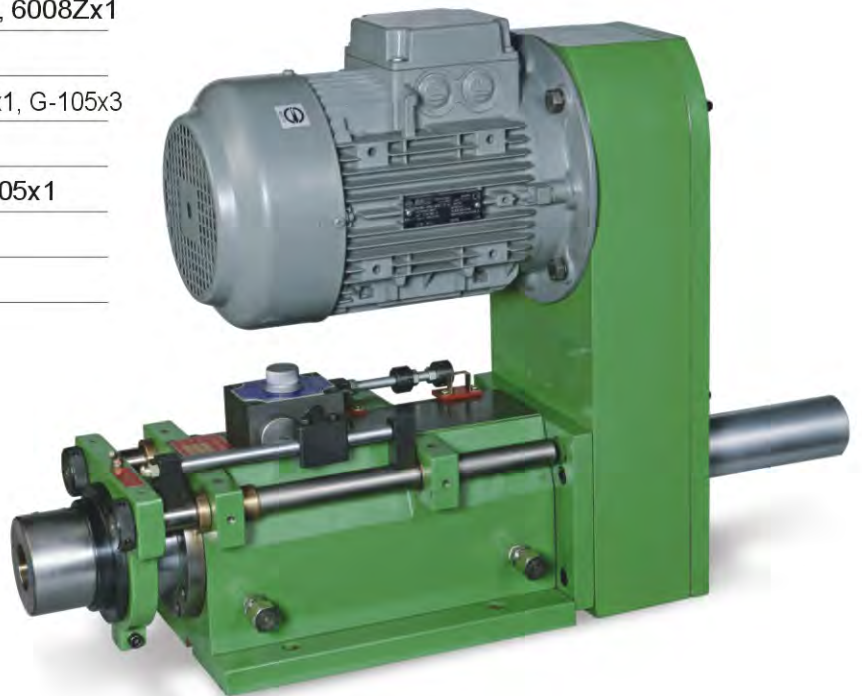
Drilling Unit

Specification

Hydraulic Pressure	20~35kg/cm ²
Drilling Capacity	φ 40(mild steel)
Flow Control Valve	FCC-G03-8
Max. Revolution/Minute	1,800rpm
Weight	85kg, 150kg
Stroke	100mm
Cylinder Diameter	φ 110
Cylinder Area	Forward 71.2cm ² , Backward 31.4cm ²
Thrust Force	1,420kg(20kg/cm ²)

Consumption Parts

Spindle Bearing	32009x1, 6009Zx1, 32008x1, 6008Zx1
Pulley Bearing	6013Zx1, 51213x1
O-Ring for Front Cover	DH-90x1, P-90x1, USI-90-100-6x1, G-105x3
O-Ring for Piston	P-100x2, G-65x1
O-Ring for Rear Cover	P55x1, T601-55-65-6x1, G-105x1
O-Ring for Cylinder	G-110x3
Bush Seal	DH-25x8

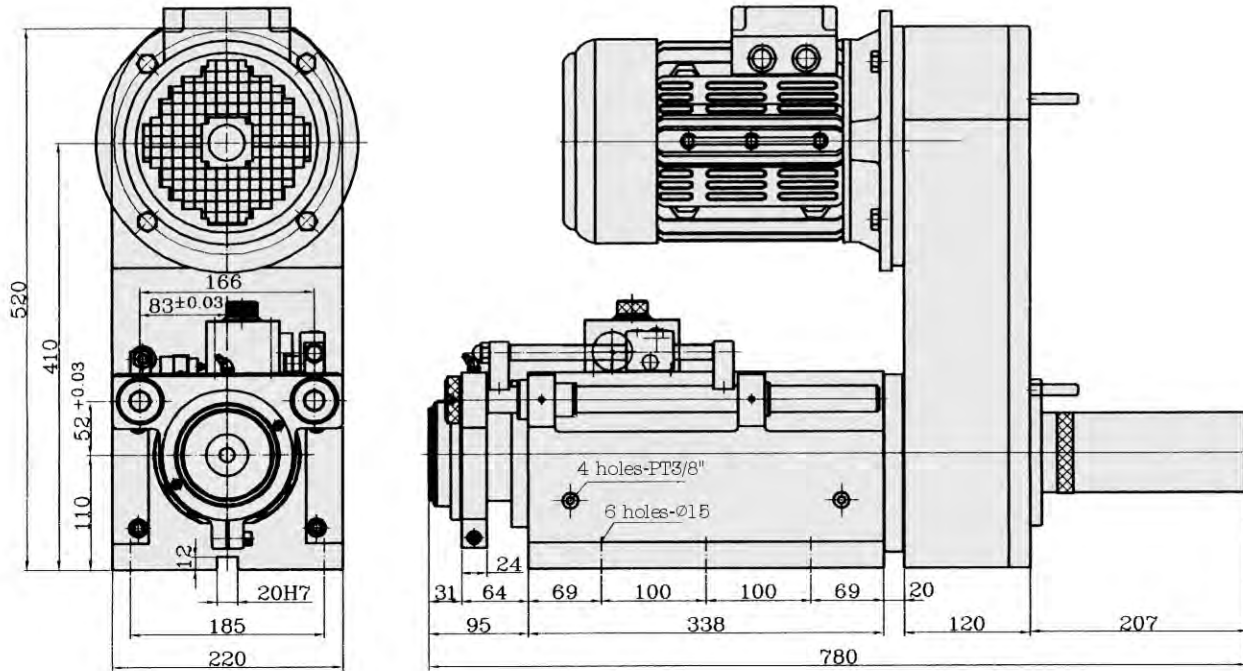




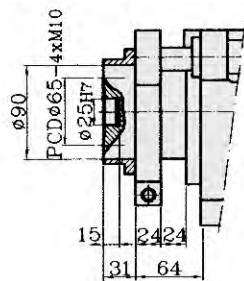
FD85-100

Drilling Unit

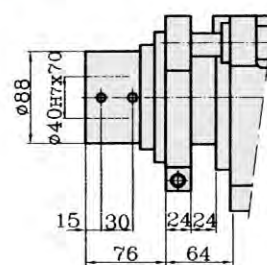
Dimensions



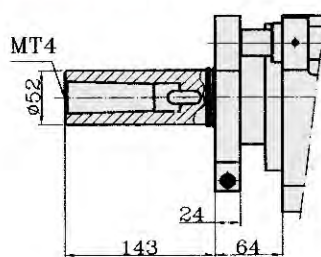
FD85-100-FB30



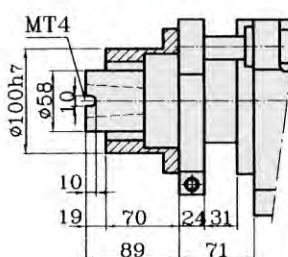
FD85-100-AS40



FD85-100-MT4A



FD85M-100-MT4B Multi





FD86-200

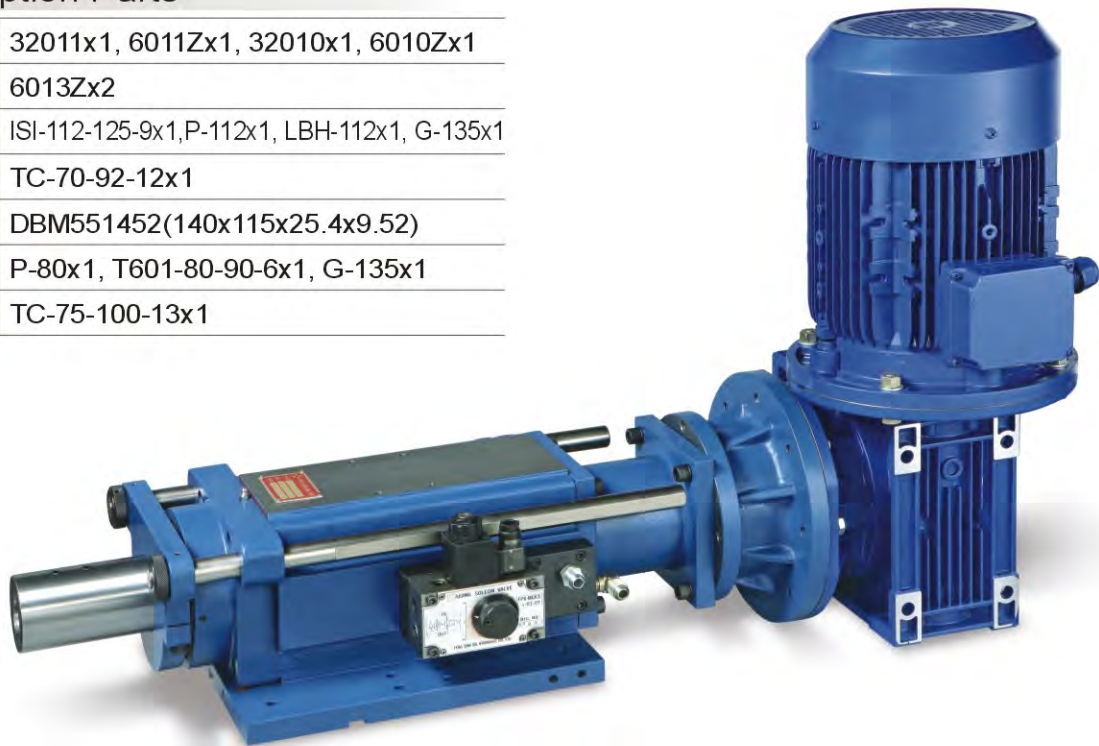
Drilling Unit

Specification

Hydraulic Pressure	25~40kg/cm ²
Drilling Capacity	φ 50(mild steel)
Flow Control Valve	FCC-P03
Max. Revolution/Minute	500rpm
Weigh	180kg
Stroke	200mm
Cylinder Diameter	φ 140
Cylinder Area	Forward 103.67cm ² , Backward 55.42cm ²
Thrust Force	3,600kg(35kg/cm ²)

Consumption Parts

Spindle Bearing	32011x1, 6011Zx1, 32010x1, 6010Zx1
Pullye Bearing	6013Zx2
Front End Seal	ISI-112-125-9x1,P-112x1, LBH-112x1, G-135x1
O-Ring for Spindle	TC-70-92-12x1
O-Ring for Piston	DBM551452(140x115x25.4x9.52)
Back End Seal	P-80x1, T601-80-90-6x1, G-135x1
O-Ring for Rear Cover	TC-75-100-13x1

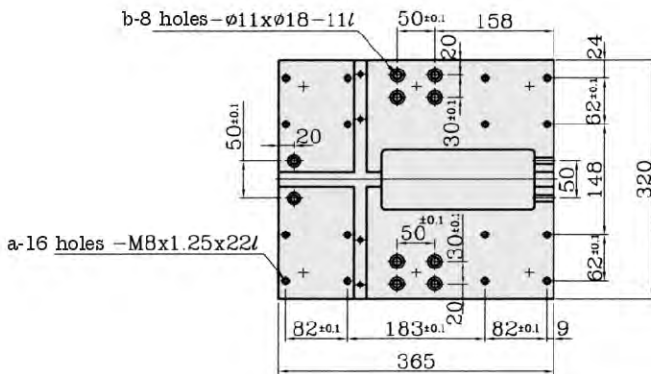
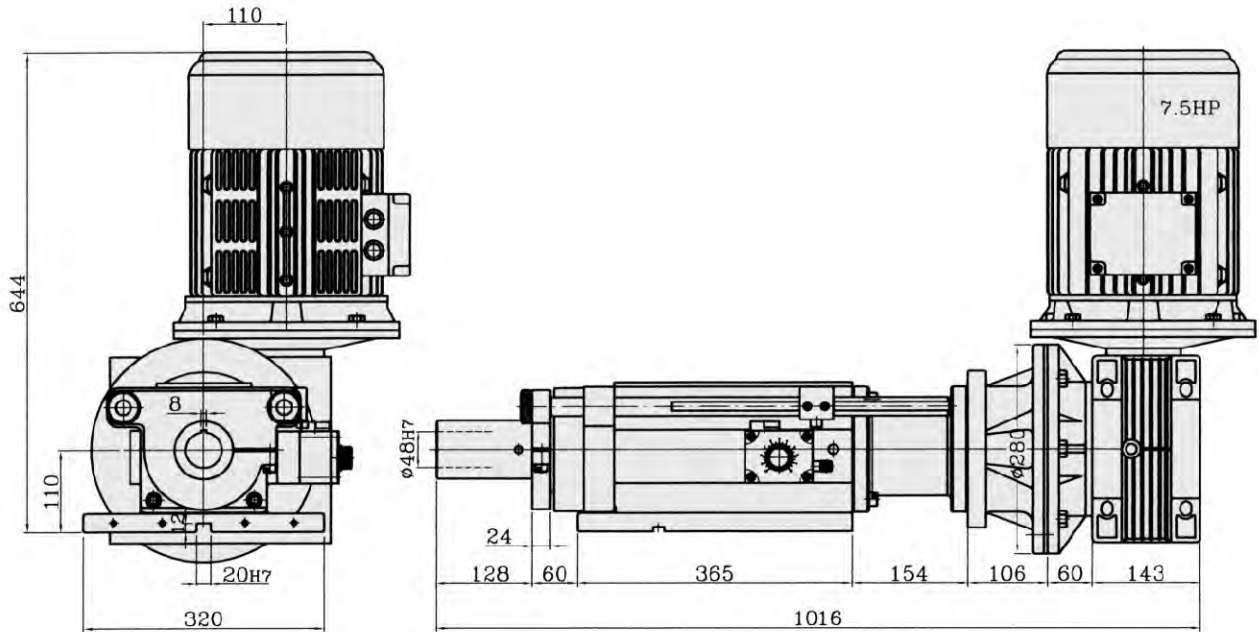




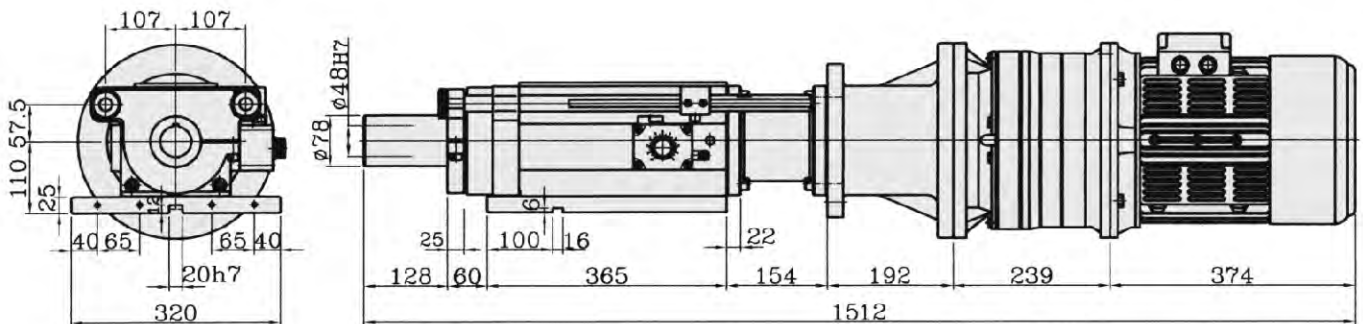
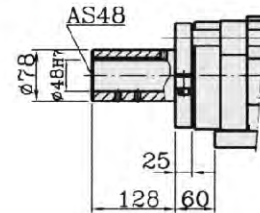
FD86-200

Drilling Unit

■ Dimensions



FD86-200-AS48





F2N-60

Tapping Unit

■ Specification

Tapping Capacity	M6(mild steel)
Chuck Capacity	ER16~ ϕ 10, JT1- ϕ 6.5
Stroke	60mm
Thread Pitch	0.25mm~1.25mm
Weight	20kg
Gauge Lubrication	Grease
Transmission	V-belt, H.T.D.-5GT
Max. RPM	1,800rpm
Power	0.37kw-2P or 4P, 220V,380V

■ Consumption Parts

Spindle Bearing	NAX-1725Zx2
Pulley Bearing	6003ZZx1, 6203ZZx1
O-Ring	DKB-40.52.6x1, MB2215DUx1

- The unit is equipped with high precision, ground master gauge for precision and fine tapping works.
- Thread pitch should be given when ordering.
- Master gauge is mounted internally to the unit body for application of less model change.
- Torque protection device is included for reducing tap breakage.
- Motor and pulley set can be mounted around the circle with interval of 45 degrees.

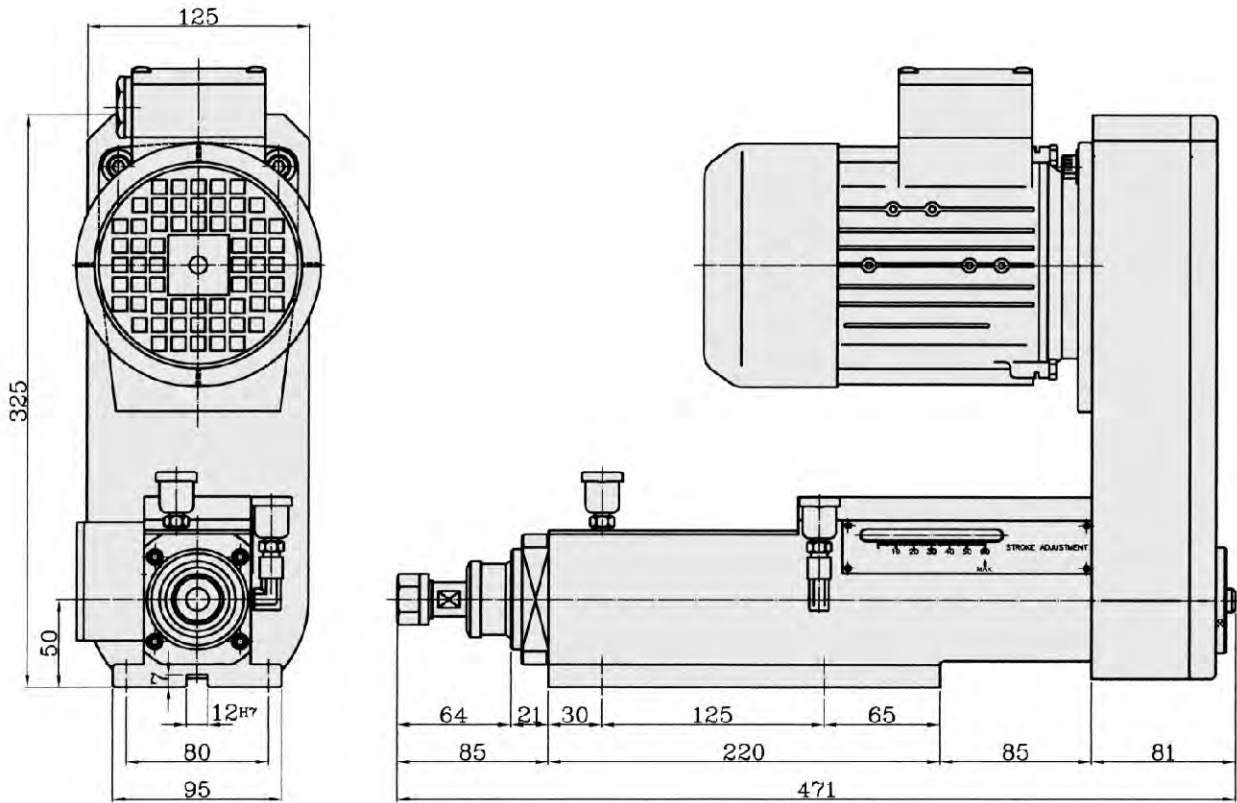




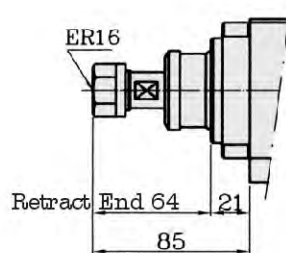
F2N-60

Tapping Unit

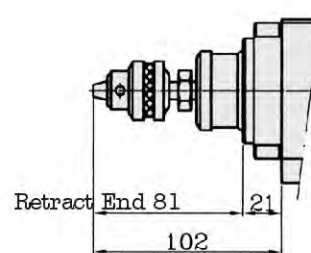
■ Dimensions



F2N-60-ER16



F2N-60-JT1





F6N-60

Tapping Unit

■ Specification

Tapping Capacity	M12(mild steel)
Stroke	60mm
Thread Pitch	0.4mm~2.0mm
Weight	18kg
Gauge Lubrication	Grease
Transmission	a. A2-DP ϕ 111 b. HTD-5GT-76T

■ Consumption Parts

Spindle Bearing	6004Zx2
Pulley Bearing	60062RSx2, 6906ZZx1
O-Ring for Spindle	TC25-42-8x1, TC50-72-10x1

- The unit is mounted with high precision, ground master gauge for precision and fine tapping works.
- Thread pitch should be given when placing order.
- Master gauge is mounted externally at the end of unit for easy and quick change.
- Horizontal and vertical application are available, oil cup should be adjusted accordingly.
- For mounting multiple spindle to this tapping unit, nose type:F6N-60-JT6 is recommended.

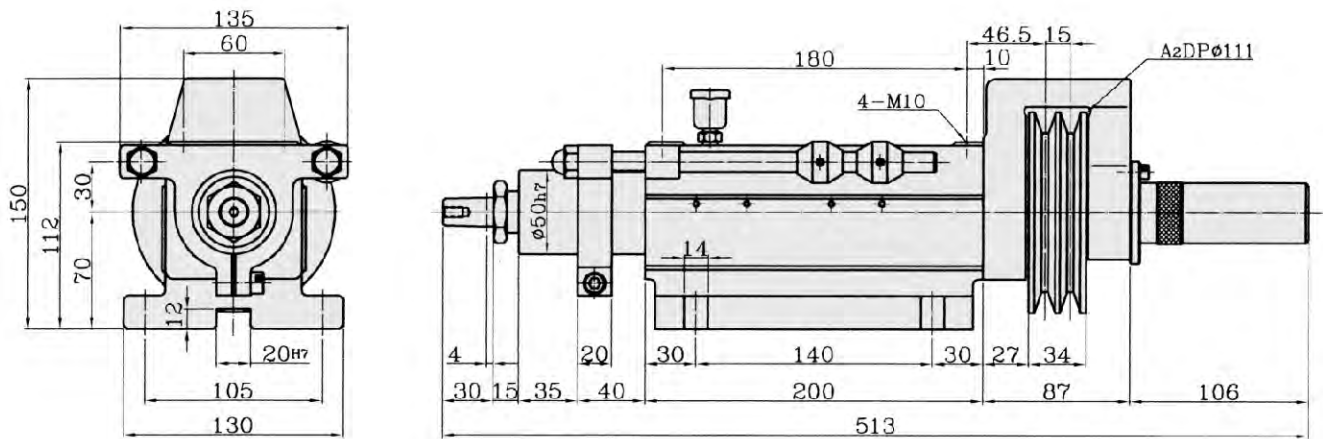




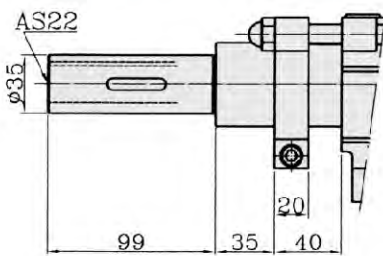
F6N-60

Tapping Unit

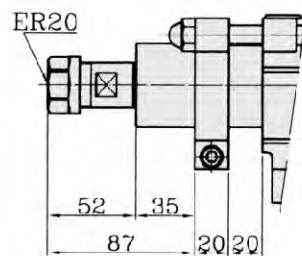
■ Dimensions



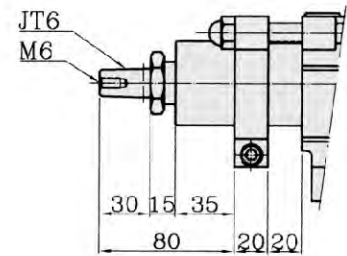
F6N-60-AS22



F6N-60-ER20



F6N-60-JT6





F66N-80

Tapping Unit

■ Specification

Tapping Capacity	M20(mild steel)
Stroke	80mm
Thread Pitch	0.5mm~2.0mm
Weight	66kg
Gauge Lubrication	Grease
Transmission	a. A2-DP ϕ 141 b. HTD-5GT-84T

■ Consumption Parts

Spindle Bearing	6006Zx3
Pulley Bearing	6010Zx2, 6010LLx1
O-Ring for Spindle	TC42-55-9x1, SDR65x1

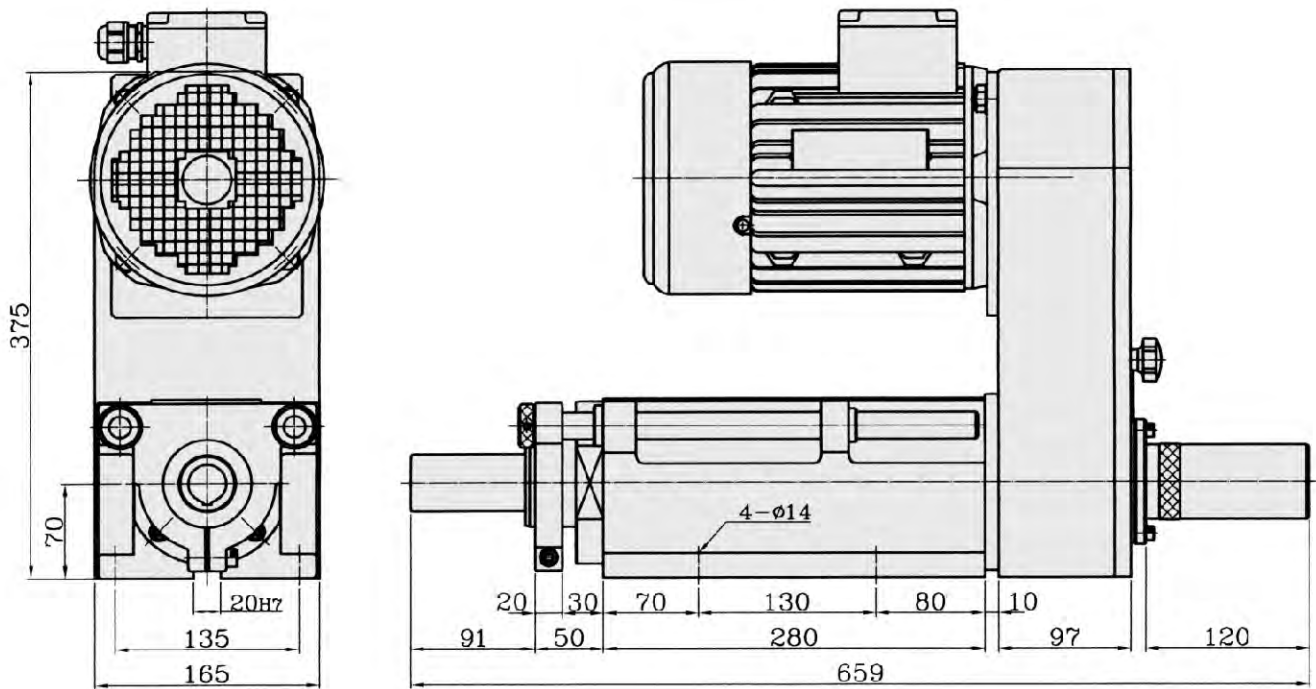




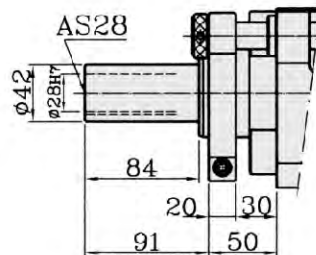
F66N-80

Tapping Unit

■ Dimensions



F66N-80-AS28





F7N-80

Tapping Unit

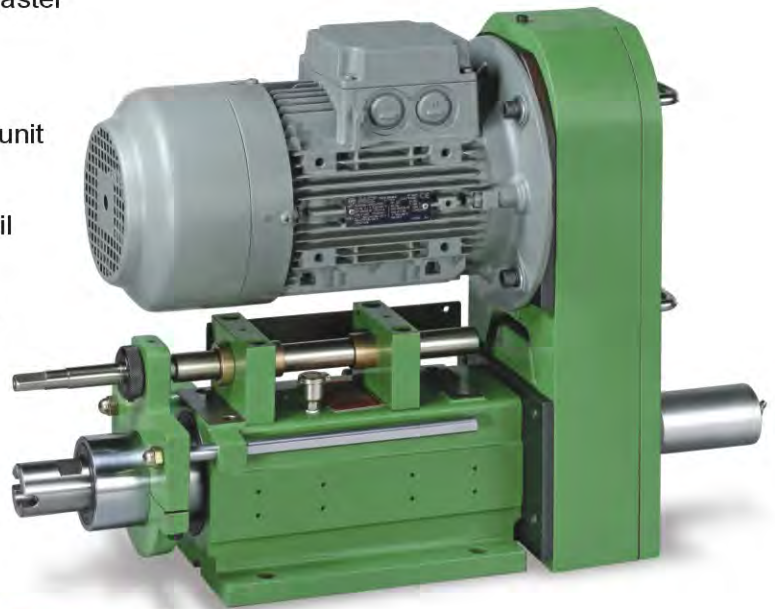
Specification

Tapping Capacity	M30(mild steel)
Stroke	80mm
Thread Pitch	0.7mm~2.5mm
Weight	41kg
Gauge Lubrication	Grease
Transmission	a. A2-DP ϕ 141 b. B2-DP ϕ 139 c. HTD-8YU-58T d. RS40-2row-35T

Consumption Parts

Spindle Bearing	a. 6008Zx3
	b. NT40spindle-6909ZZx2, 6008Zx1
Pulley Bearing	6010Zx2, 6010LLx1
O-Ring for Spindle	TC45-68-12x1, TC80-105-13x1

- The unit is mounted with high precision, ground master gauge for precision and fine tapping works.
- Thread pitch should be given when ordering.
- Master gauge is mounted externally at the end of unit for easy and quick change.
- Horizontal and vertical application are available, oil cup should be adjusted accordingly.
- For mounting multiple spindle to this tapping unit, we recommended nose type:F7N-80-MT3B.

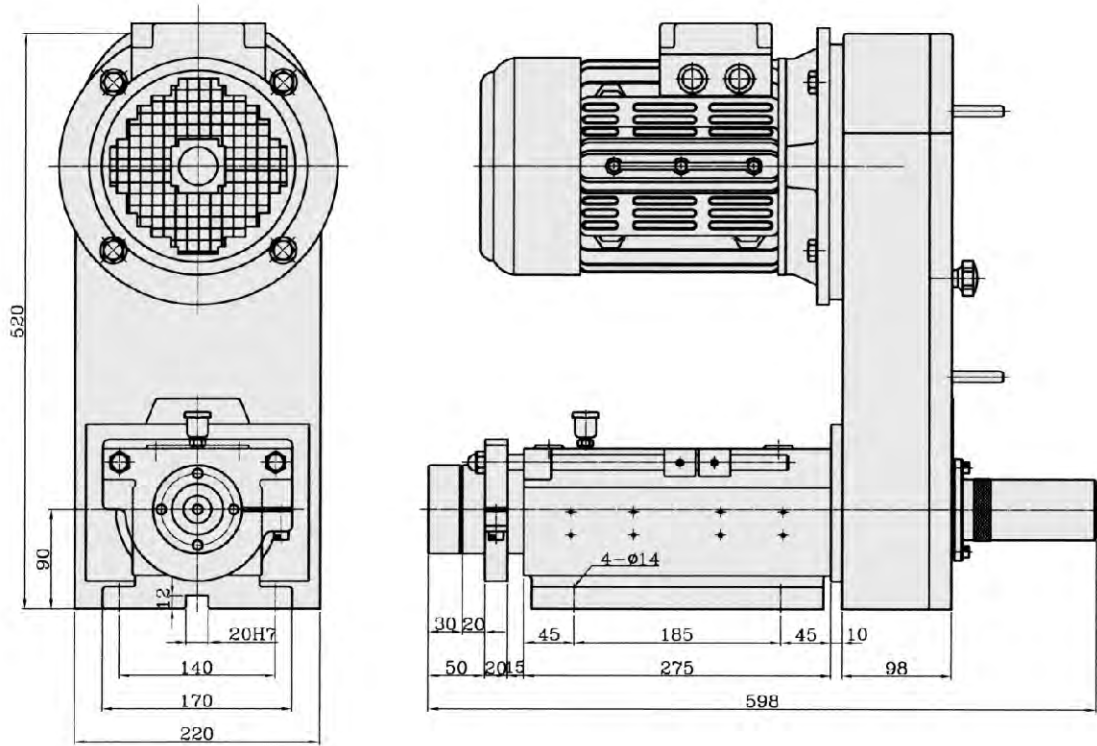




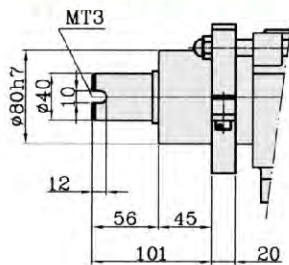
F7N-80

Tapping Unit

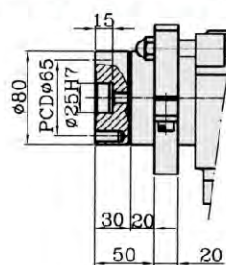
■ Dimensions



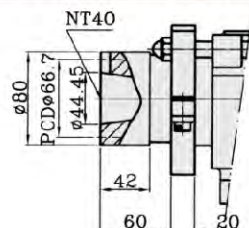
F7N-80-MT3B Multi



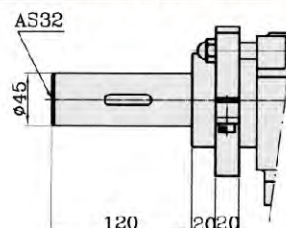
F7N-80-FB30



F7N-80-NT40



F7N-80-AS32





F8N-90

Tapping Unit

Specification

Tapping Capacity	M45(mild steel)
Stroke	90mm
Thread Pitch	0.8mm~3.0mm
Weight	65kg
Gauge Lubrication	Grease
Transmission	a. RS40-2 row-30T b. HTD-8YU-48T

Consumption Parts

Spindle Bearing	32010x1, 30209x1
Pulley Bearing	6212Zx1, 6212ZZx1
O-Ring for Spindle	TC-60.80.12x1, TC70-90.12x1
O-Ring for Rear Cover	TC100-125.13x1

- The unit is mounted with high precision, ground master gauge for precision and fine tapping works.
- Thread pitch should be given when ordering.
- Master gauge is mounted externally to the end of unit for easy and quick change.
- This unit can be mounted horizontally or vertically, oil cup should be adjusted accordingly.
- To increase life of master gauge, install tension spring for vertical application is recommended.
- For mounting multiple spindle head, please choose model : F8N-90-MT4B.

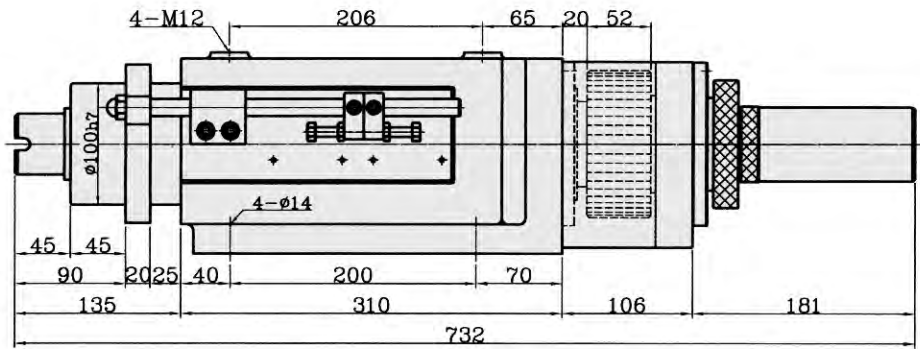
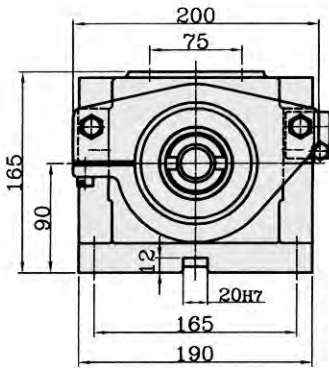




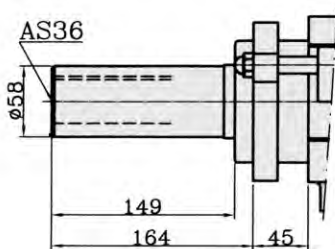
F8N-90

Tapping Unit

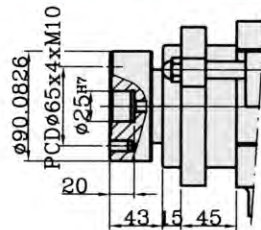
■ Dimensions



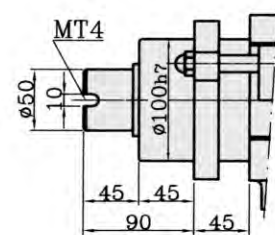
F8N-90-AS36



F8N-90-FB30



F8N-90-MT4B Multi





F85N-90

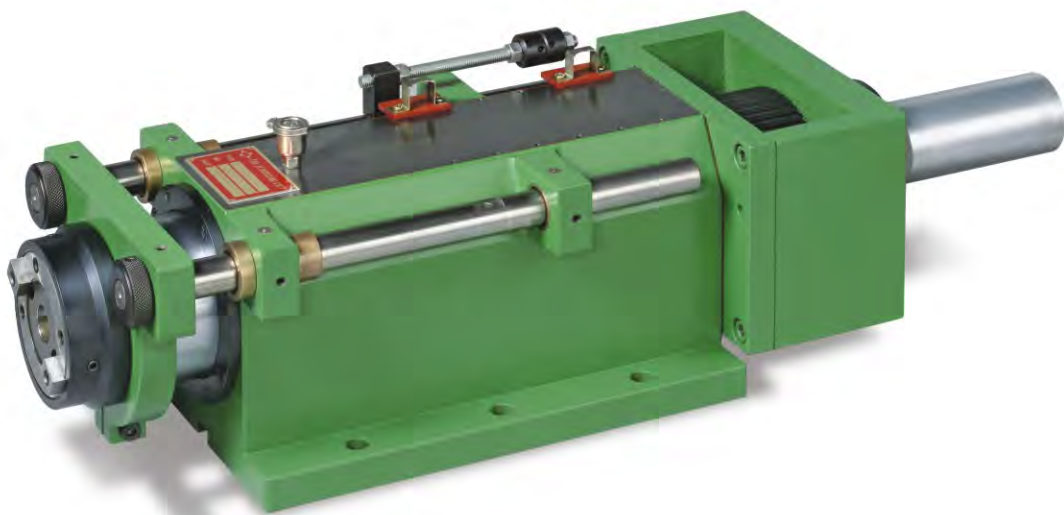
Tapping Unit

■ Specification

Tapping Capacity	M50(Mild steel)
Stroke	90mm
Thread Pitch	0.8mm~3.0mm
Weight	89kg
Gauge Lubrication	Grease
Transmission	a. RS40-2 row-30T b. HTD-8YU-48T c. RS50-3 row-26T

■ Consumption Parts

Spindle Bearing	32210x1, 6210Zx1, 32010x1
Pulley Bearing	6212Zx1, 6212ZZx1
O-Ring for Spindle	TC-70-92-12x1
Front End Seal	DH-112x1
Packing	SER25x8

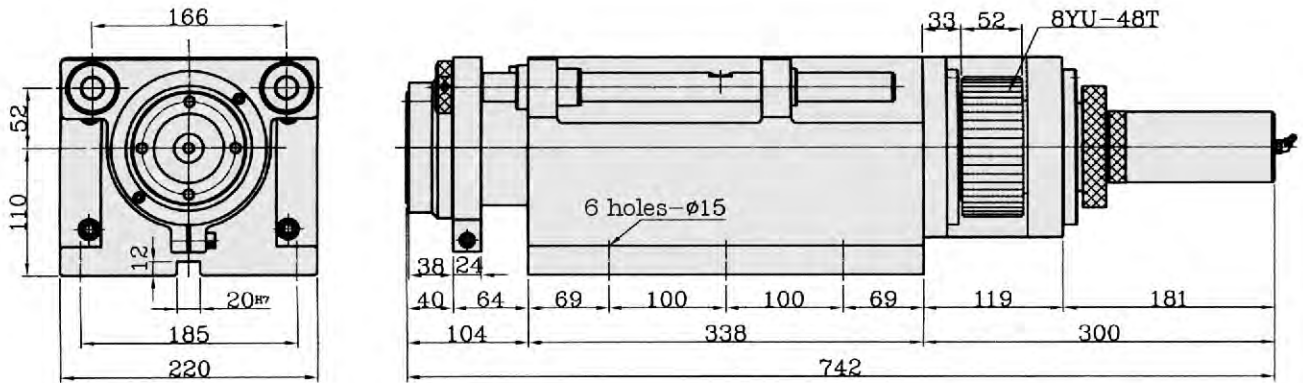




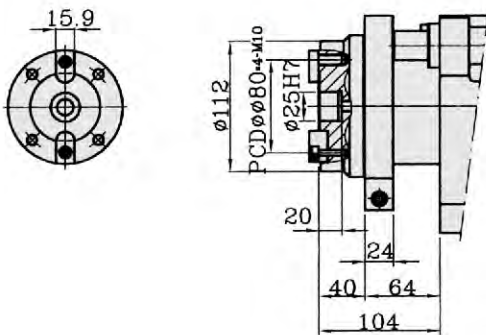
F85N-90

Tapping Unit

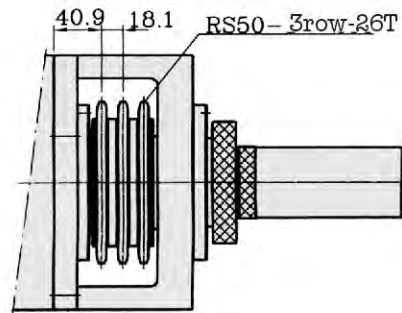
■ Dimensions



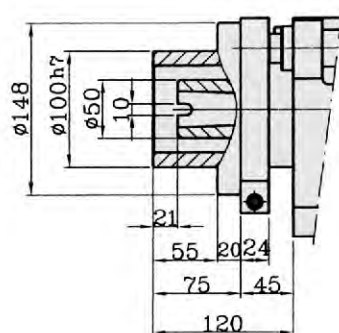
F85N-90-FB30



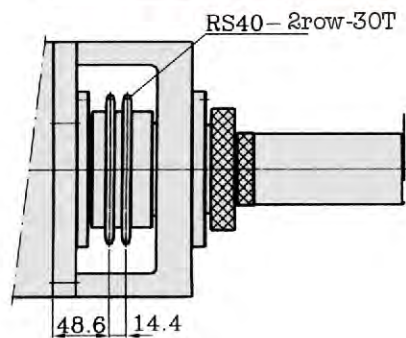
RS50-3-26T



F85N-90-MT4B Multi



RS40-2-30T





FTD63-¹²⁰/₈₀ Drilling and Tapping Unit

FTD63-120 Drilling Section

■ Specification

Hydraulic Pressure	25~35 kg/cm ²
Drilling Capacity	φ 16(mild steel)
Flow Control Valve	FCC-G02-4
Max. Revolution/Minute	3,000rpm
Stroke	120mm
Cylinder Diameter	φ 50
Cylinder Area	14.7cm ²
Transmission	a. A2-DP φ 91 b. HTD-5GT-62T
Weight	72 kg
Thrust Force	368 kg(25 kg/cm ²)

■ Consumption Parts

Spindle Bearing	a. 32005x1, 6005Zx1, 32004x1, 6004Zx1
	b. 7005x2, 7004x2
Pulley Bearing	6008Zx1, 51208x1
O-Ring for Front Cover	UHS-58x1
O-Ring for Piston	P-40x2, P-25x3
O-Ring for Rear Cover	P-30x2, G-75x1

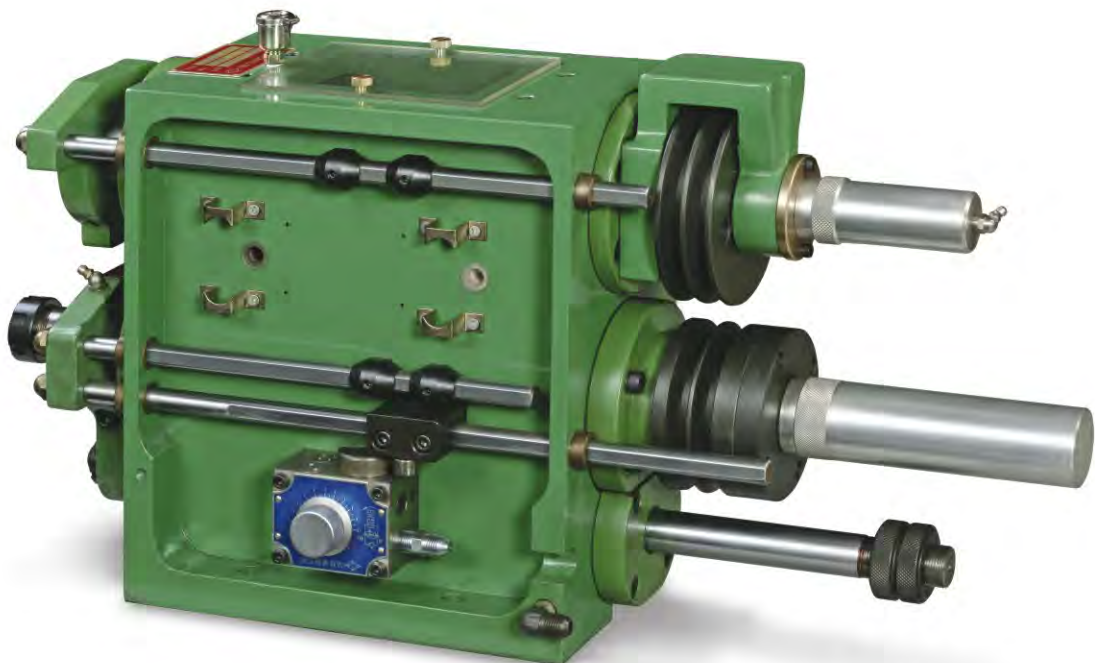
FTD63-80 Tapping Section

■ Specification

Tapping Capacity	M12(mild steel)
Stroke	80mm
Thread Pitch	0.4mm~2.0mm
Gauge Lubrication	Grease
Transmission	a. A2-DP φ 111 b. HTD-5GT-76T

■ Consumption Parts

O-Ring for Front Cover	UHS58
Spindle Bearing	6005Zx2, 6004Zx2
Pulley Bearing	6006-2RSx2, 6906ZZx1



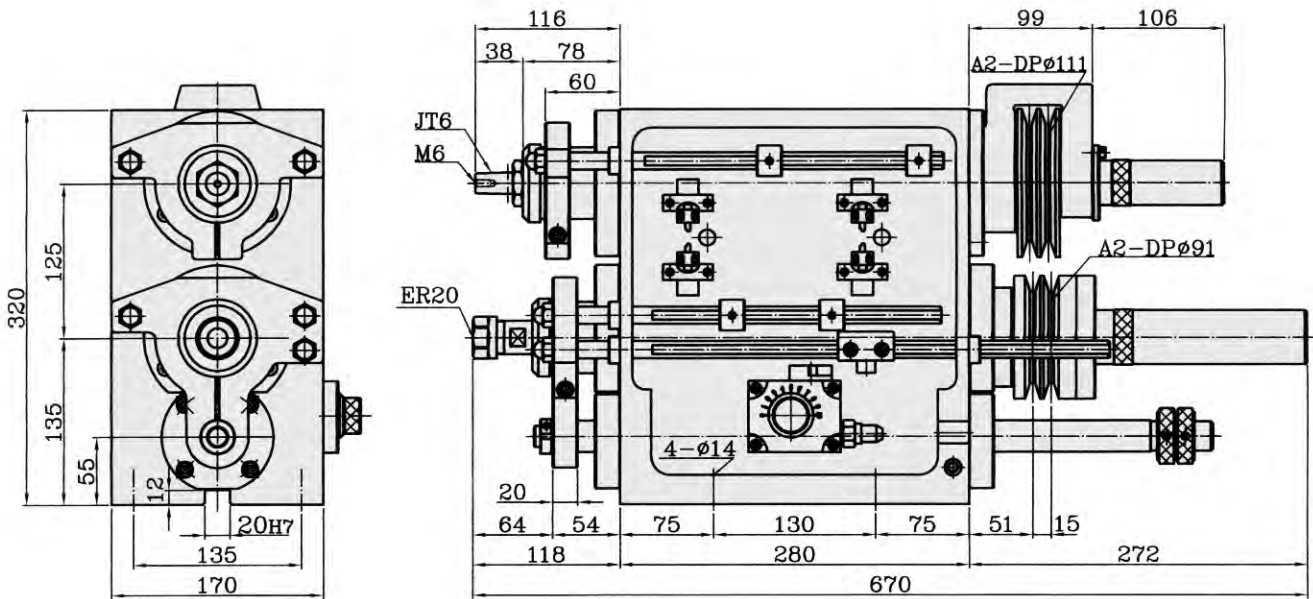
Weight : 72kg



FTD63-120 80

Drilling and Tapping Unit

■ Dimensions





FTD77-130 80 Drilling and Tapping Unit

FTD77-130 Drilling Section

■ Specification

Hydraulic Pressure	20~35kg/cm ²
Drilling Capacity	φ 25(mild steel)
Flow Control Valve	FCC-G02-4
Max. Revolution/Minute	2,000rpm
Stroke	130mm
Cylinder Diameter	φ 63

■ Consumption Parts

Spindle Bearing	32008x1, 6008Zx1, 32007x1, 6007Zx1
Pulley Bearing	6013Zx1, 51213x1
O-Ring for Front Cover	DH-80x1, P-80x1
O-Ring for Rear Cover	G65x1

FTD77-80 Tapping Section

■ Specification

Tapping Capacity	M30(mild steel)
Stroke	80mm
Thread Pitch	0.7mm~2.5mm
Gauge Lubrication	Grease
Transmission	a. A2-DP φ 141 b. HTD-8YU-58T c. RS40-2 row-35T

■ Consumption Parts

Spindle Bearing	6909ZZx2, 6008Zx1
Pulley Bearing	6010Zx2, 6010VVx1
O-Ring for Spindle	TC80-105-13, MR20x1



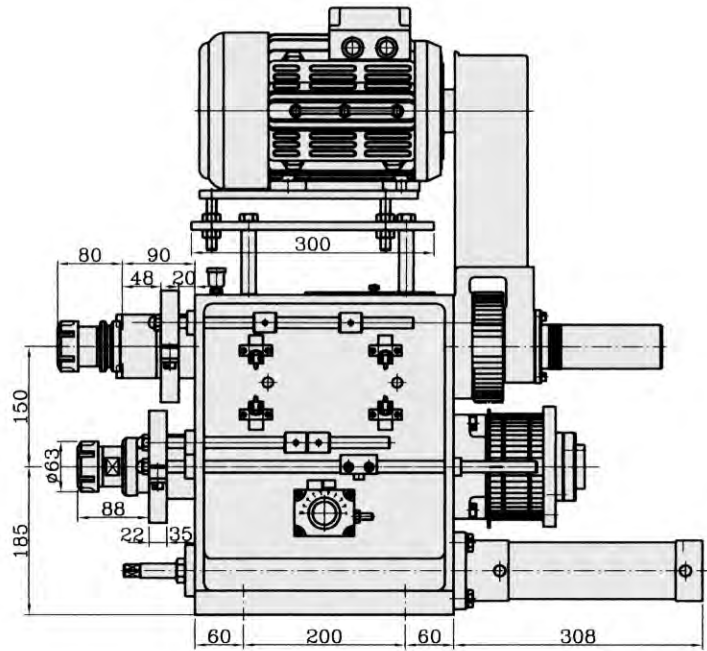
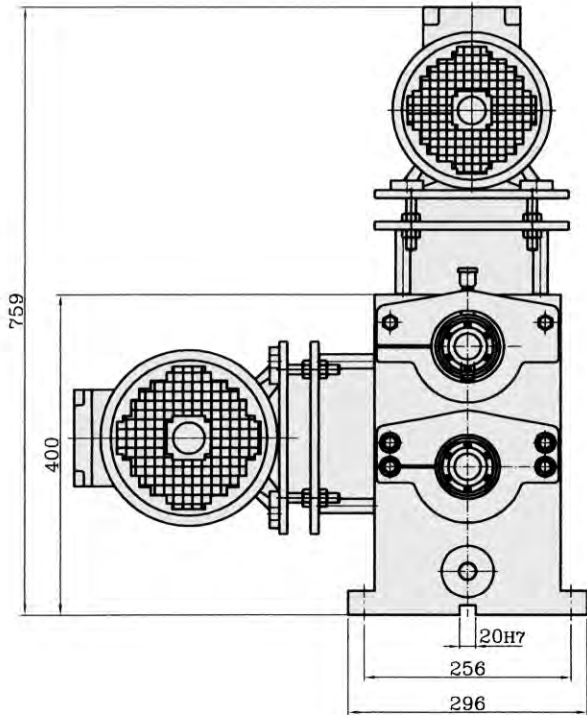
Weight : 175kg



FTD77-130 80

Drilling and Tapping Unit

■ Dimensions





FTD9-150 90

Drilling and Tapping Unit

FTD9-150 Drilling Section

■ Specification

Hydraulic Pressure	25~35kg/cm ²
Drilling Capacity	φ 35(mild steel)
Flow Control Valve	FCC-G03-8
Max. Revolution/Minute	2,000rpm
Stroke	150mm
Cylinder Diameter	φ 63
Transmission	*B2-DP φ 139 *HTD-8YU-56T

■ Consumption Parts

Spindle Bearing	33010x1, 32008x1, 6010Zx1, 6008Zx1
Pulley Bearing	6013Zx1, 51213x1

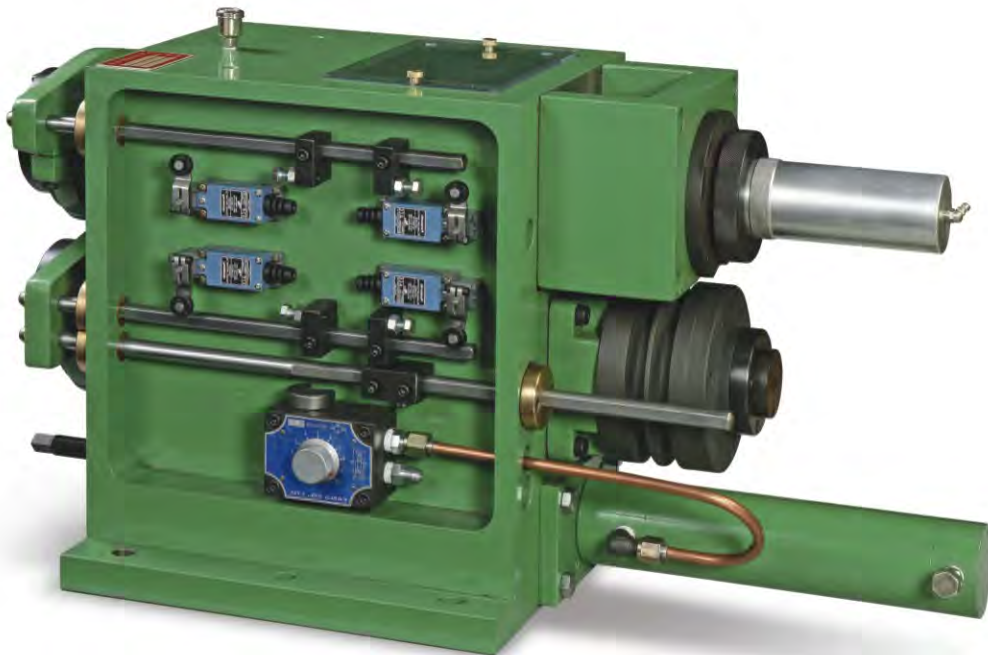
FTD9-90 Tapping Section

■ Specification

Tapping Capacity	M45(mild steel)
Stroke	90mm
Thread Pitch	0.8mm~3.0mm
Gauge Lubrication	Grease
Transmission	*RS40-2 row-30T *HTD-8YU-48T

■ Consumption Parts

Spindle Bearing	6010Zx4
Pulley Bearing	6212Zx1, 6212ZZx1



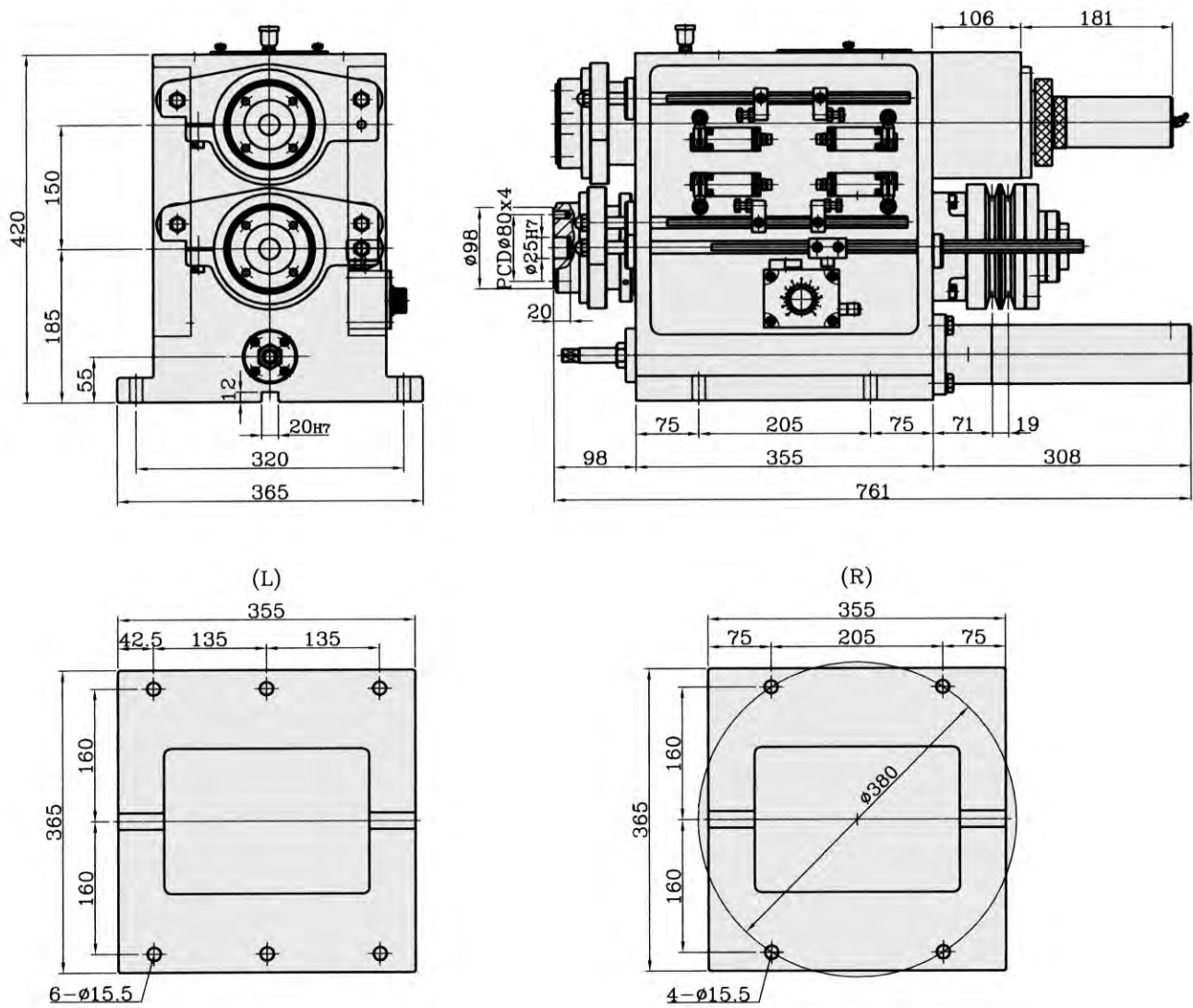
Weight : 231kg



FTD9-150 90

Drilling and Tapping Unit

■ Dimensions





FD12H-120

Drilling Unit

Specification

Hydraulic Pressure	30~40kg/cm ²
Drilling Capacity	φ 30(mild steel)
Spindle nose type:	HSK-63C
Power	1.5kw~3.7kw, 220V/440V, 50Hz/60Hz
Max. Revolution/Minute	3,600rpm
Weight	185kg
Stroke	120mm
Cylinder Diameter	φ 120
Flow Control Valve	FCC-G02-4
Transmission	8YU
Cylinder Area	Forward 34.6cm ² , Backward 26.5cm ²
Thrust Force	1308kg(30kg/cm ²)

Specification

Spindle Bearing	a. 32010x1, 6010Zx1, 32008x1, 6008Zx1
	b. 7010x3, 7008x2
Pulley Bearing	7011x2, 6012ZZx1
O-Ring for Front Cover	SDR105-115-8x1, SKY105-120-9x1, G-120x1
Sleeve Seal	SDR100-110-8x1, C1-A010 N3571x1, G-115x1
Lock Nuts	MR50x1.5P, MKR40x1.5P, MR55x2.0P

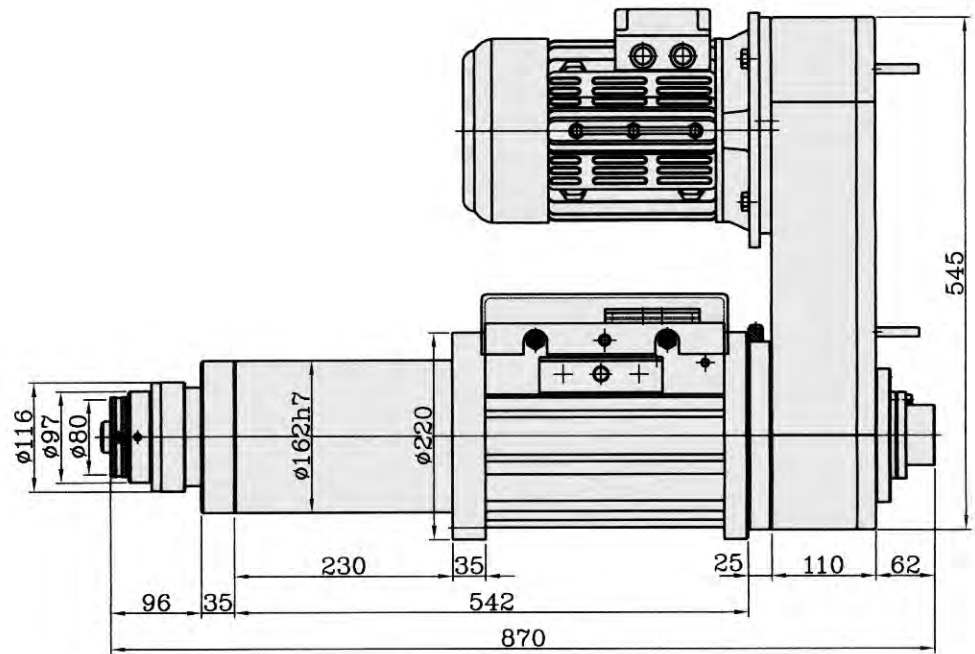
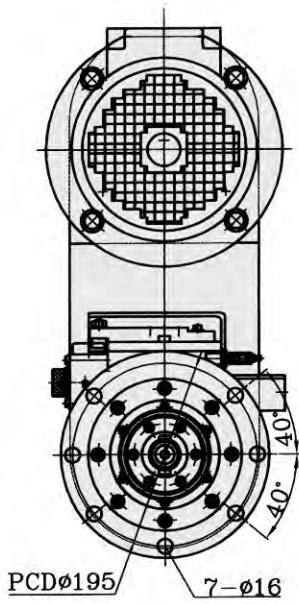




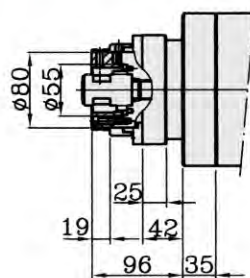
FD12H-120

Drilling Unit

■ Dimensions



FD12H-120-HSK63C





FD12S-120 Servo Drilling Unit

■ Specification

Drilling Capacity	φ 30(mild steel)
Spindle nose type:	HSK-63C
Power	1.5kw~3.7kw, 220V/440V, 50Hz/60Hz
Max. Revolution/Minute	3,600rpm
Weight	200kg
Stroke	120mm
Transmission	8YU

■ Specification

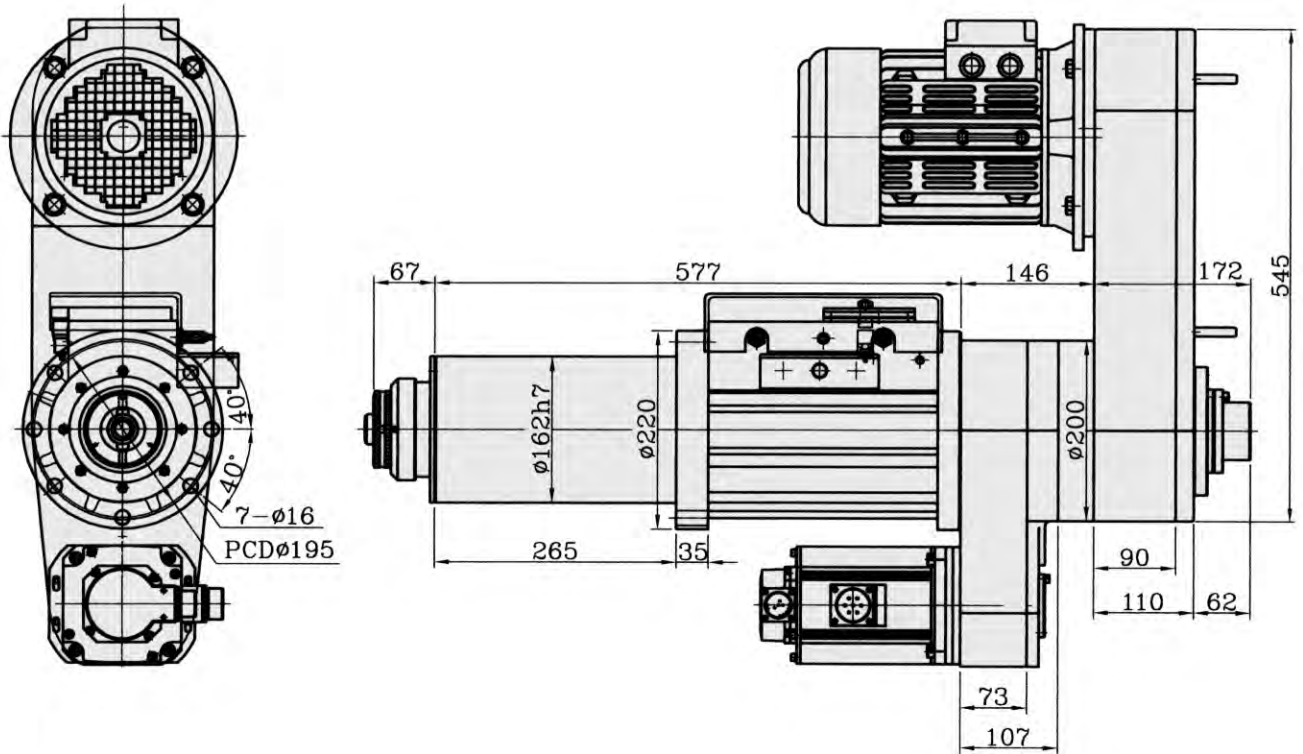
Spindle Bearing	a. 32010x1, 6010Zx1, 60008Zx1, 32008x1
	b. 7010x3, 7008x2
Pulley Bearing	32014x1, 32914x1
Transmission Bearing	6210ZZx1, 6012ZZx1
Bearing Set Seal	SER105-115-8x2, V-60Ax2
Conical key	PL070x110AE
Lock Nuts	MR50x1.5-1, MKR40x1.5-1, MR70x2.0-1
Snap Ring	S50x1, R95x1



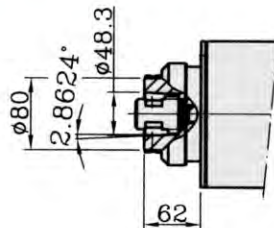


FD12S-120 Servo Drilling Unit

■ Dimensions



FD12S-120-HSK63C





FD15S-150 Servo Drilling Unit

■ Specification

Drilling Capacity	φ 50(mild steel)
Spindle nose type:	HSK-63C
Power	3.7kw / 5.0kw, 220V/440V, 60Hz
Max. Revolution/Minute	2,500rpm
Servo Motor	1.5kw
Weight	270kg
Stroke	150mm
Transmission	8YU
Thrust Force	2500kg

■ Specification

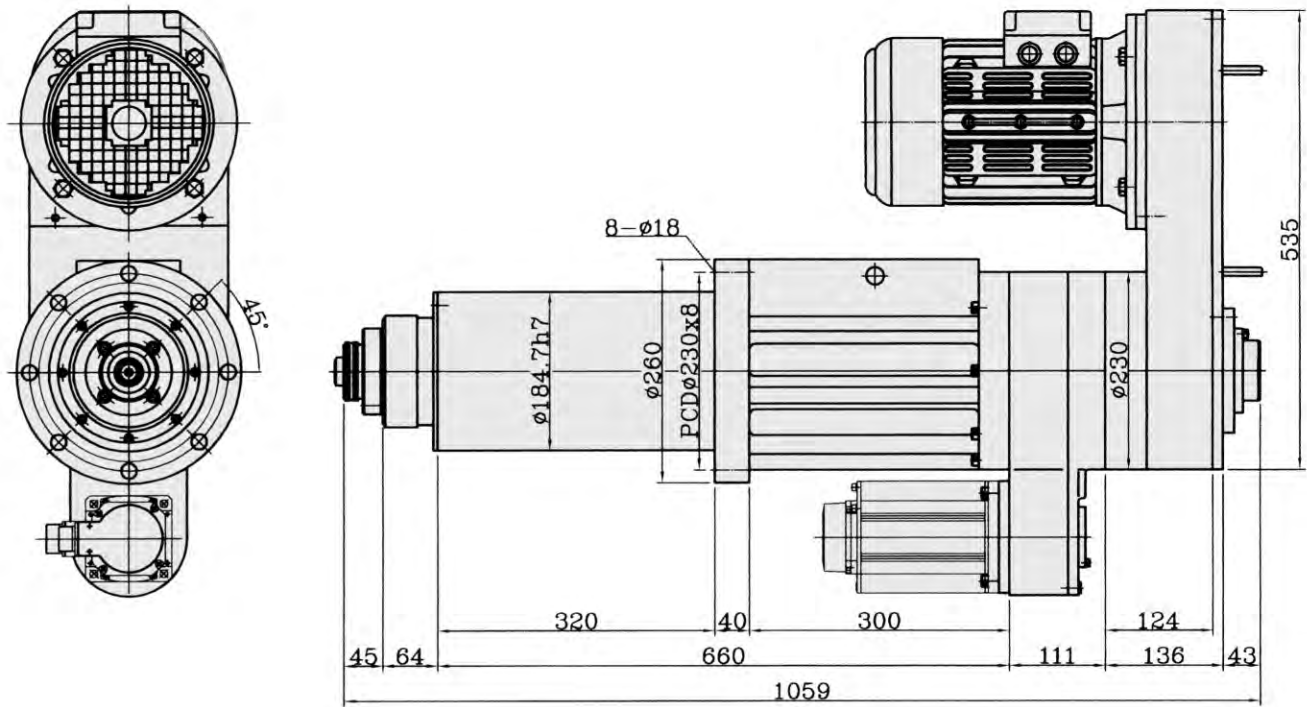
Spindle Bearing	32012x1, 6012Zx1, 6010Zx1, 32010x1
Pulley Bearing	32016x1, 32916x1
Transmission Bearing	6212ZZx1, 6012ZZx1 MCF35B MCGIx1,(6004ZZX3-for spur gear)
Bearing Set Seal	SDR125x2, V-100Ax1, G-90x1
Transmission seal	V-60Ax1, V-70Ax1



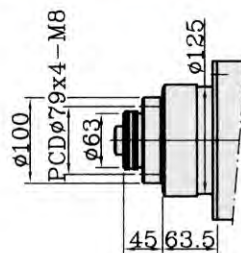


FD15S-150 Servo Drilling Unit

■ Dimensions



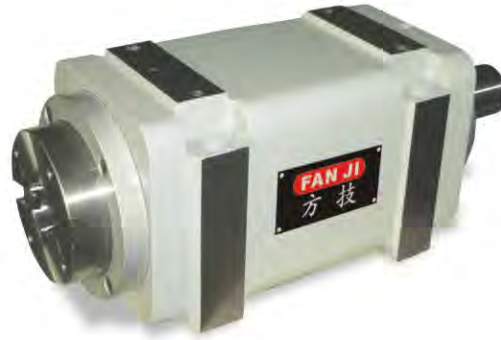
FD15S-150-HSK63C



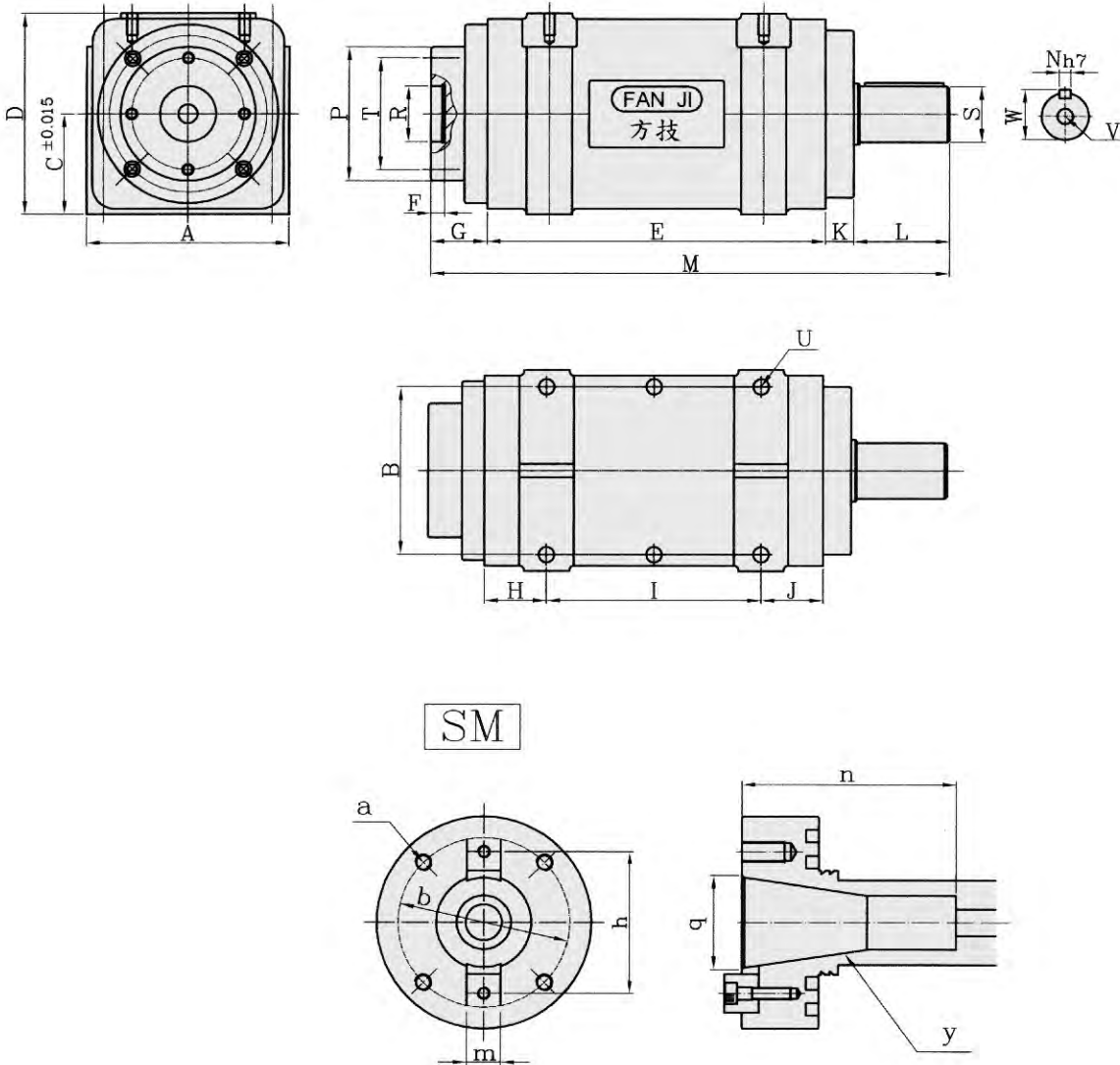


S-Series

Boring Unit



Dimensions





S-Series

Boring Unit

Specification

Model Dimension	S-25	S-30	S-35	S-40	S-50	S-60	S-70	S-80
A	96	120	120	150	150	180	180	210
B	75	95	95	120	120	150	150	175
C	50	65	65	80	80	90	90	110
D	98	125	125	155	155	180	180	215
E	170	200	200	280	280	300	300	370
F	12	12	12	12	12	12	12	12
G	40	40	40	45	45	50	50	50
H	20	35	35	45	45	55	55	55
I	130	130	130	190	190	190	190	260
J	20	35	35	45	45	55	55	55
K	20	20	20	25	25	30	30	30
L	50	50	50	60	60	80	80	90
M	280	310	310	410	410	460	460	540
N	5h7	6h7	6h7	8h7	10h7	12h7	15h7	15h7
P	φ 60	φ 80	φ 80	φ 100	φ 100	φ 120	φ 120	φ 140
R	φ 30H7	φ 30H7	φ 30H7	φ 50H7	φ 50H7	φ 50H7	φ 50H7	φ 50H7
S	φ 18h7	φ 26h7	φ 26h7	φ 30h7	φ 42h7	φ 50h7	φ 60h7	φ 65h7
T	φ 45x4 M8x15 ℓ	φ 65x4 M8x15 ℓ	φ 65x4 M8x15 ℓ	φ 80x4 M10x15 ℓ	φ 80x4 M10x15 ℓ	φ 100x4 M10x20 ℓ	φ 100x4 M10x20 ℓ	φ 120x4 M10x20 ℓ
U	M8x1.25	M8x1.25	M8x1.25	M10x1.5	M10x1.5	M10x1.5	M10x1.5	M10x1.5
V	4-φ 11	4-φ 11	4-φ 11	4-φ 14	4-φ 14	4-φ 16	4-φ 16	4-φ 18
W	20	28.5	28.5	33	45	53	65	70
a		4-M8x15 ℓ	4-M8x15 ℓ	M10x15 ℓ	M10x15 ℓ	M10x20 ℓ	M10x20 ℓ	M10x20 ℓ
b		φ 65	φ 65	φ 80	φ 80	φ 100	φ 100	φ 120
h		50.8	50.8	66.7	66.7	66.7	95	101.6
m		15.9h7	15.9h7	15.9h7	15.9h7	15.9h7	25.4h7	25.4h7
n		73	73	100	100	100	150	150
q		φ 31.75	φ 31.75	φ 44.45	φ 44.45	φ 44.45	φ 69.85	φ 69.85
y		NT30	NT30	NT40	NT40	NT40	NT50	NT50

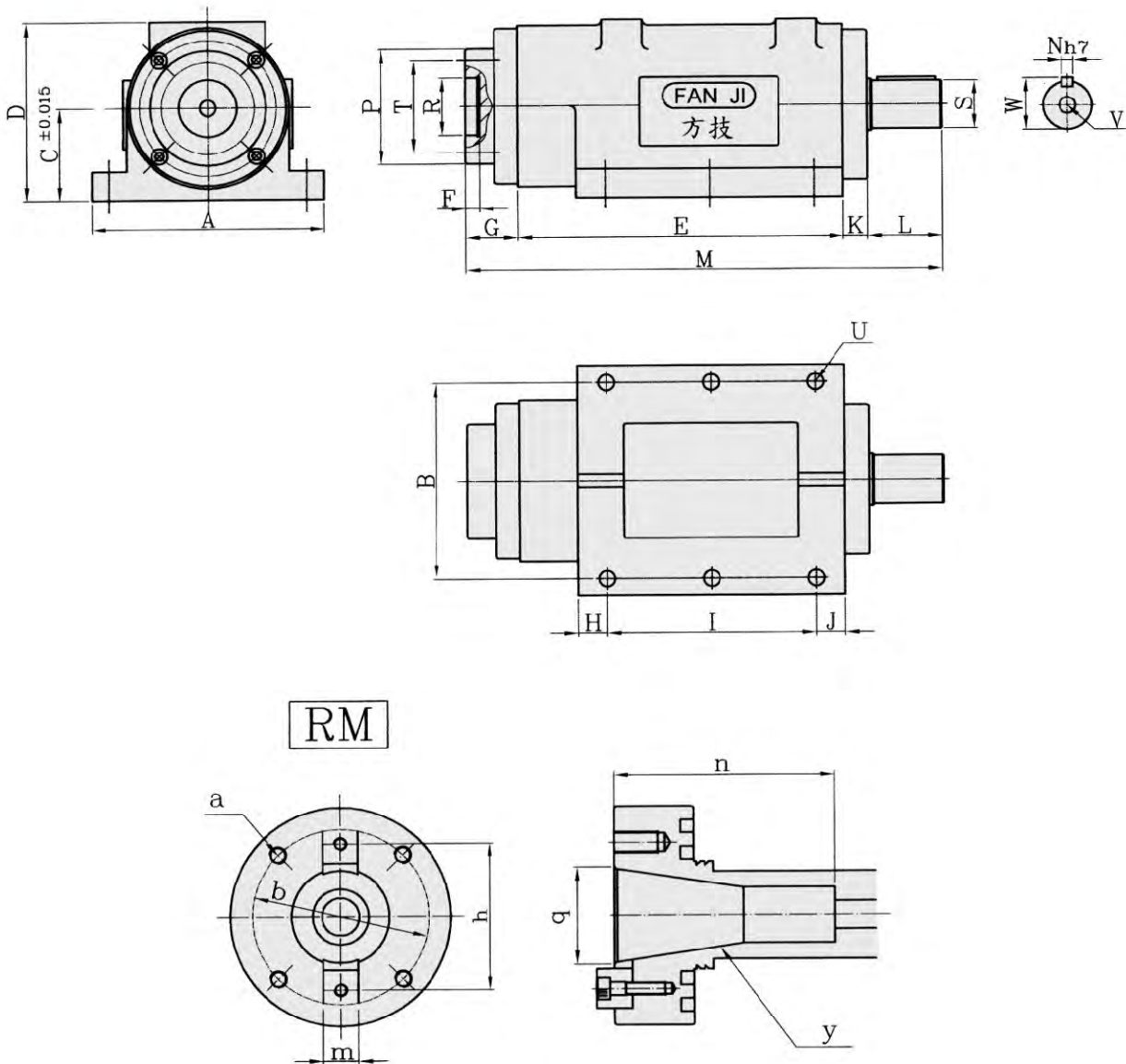


R-Series

Boring Unit



Dimensions





R-Series

Boring Unit

Specification

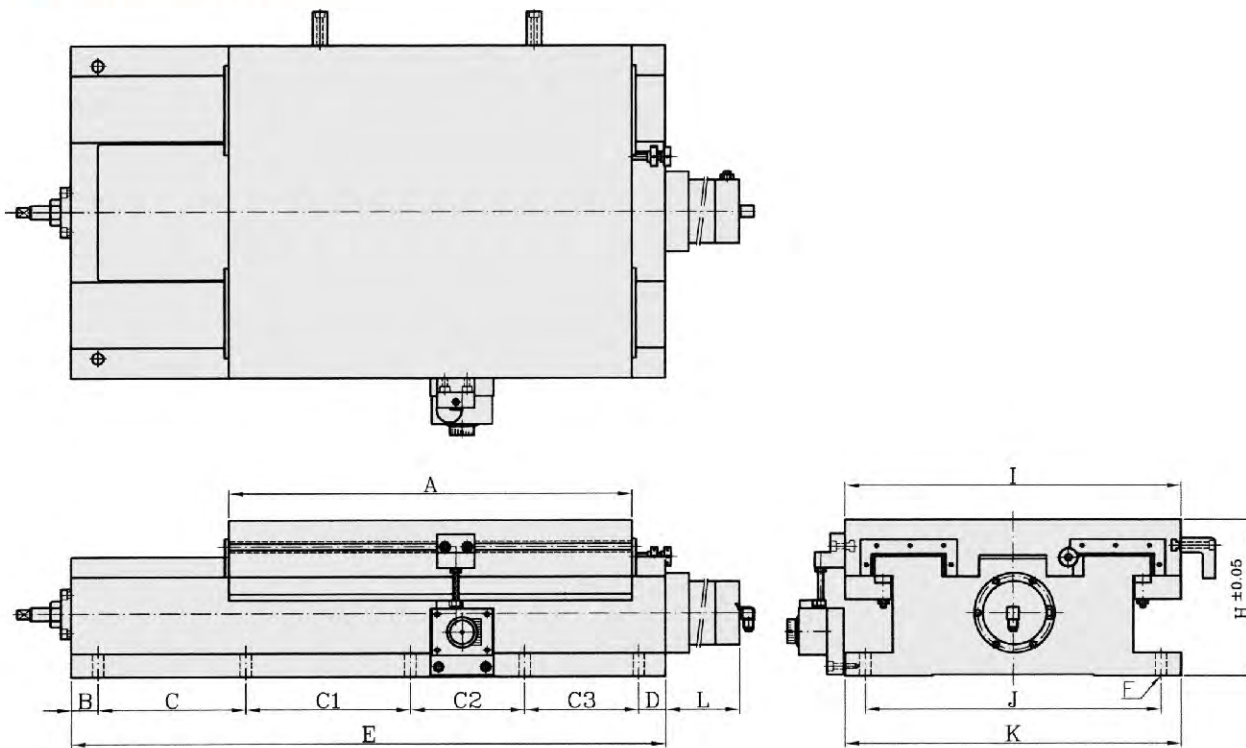
Model Dimension	R-30	R-35	R-40	R-50	R-60	R-70	R-80	R-100	R-120
A	160	160	150	200	240	240	280	340	390
B	135	135	120	170	205	205	240	290	340
C	65	65	80	80	90	90	110	130	160
D	125	125	155	155	180	180	215	260	315
E	160	160	280	230	250	250	300	320	370
F	12	12	12	12	12	12	12	25	25
G	40	40	45	45	50	50	50	60	60
H	20	20	25	25	35	35	30	40	45
I	120	120	180	180	180	180	240	240	280
J	20	20	45	25	35	35	30	40	45
K	20	20	25	25	30	30	30	40	40
L	50	50	60	60	80	80	90	100	120
M	310	310	410	410	460	460	540	600	670
N	6h7	6h7	8h7	10h7	12h7	15h7	15h7	18h7	20h7
P	φ 80	φ 80	φ 100	φ 100	φ 120	φ 120	φ 140	φ 200	φ 220
R	φ 30H7	φ 30H7	φ 50H7	φ 50H7	φ 50H7	φ 50H7	φ 50H7	φ 50H7	φ 50H7
S	φ 26h7	φ 26h7	φ 30h7	φ 42h7	φ 50h7	φ 60h7	φ 65h7	φ 75h7	φ 90h7
T	φ 65x4 M8x15 ℓ	φ 65x4 M8x15 ℓ	φ 80x4 M10x15 ℓ	φ 80x4 M10x20 ℓ	φ 100x4 M10x20 ℓ	φ 100x4 M10x20 ℓ	φ 120x6 M10x20 ℓ	φ 170x6 M12x25 ℓ	φ 180x8 M14x25 ℓ
U	4-φ 11	4-φ 11	6-φ 14	6-φ 14	6-φ 16	6-φ 16	6-φ 18	6-φ 18	6-φ 18
V	φ 14	φ 14	φ 17	φ 17	φ 17	φ 27	φ 27	φ 27	φ 27
W	28.5	28.5	33	45	53	65	70	81	96
a	4-M8x15 ℓ	4-M8x15 ℓ	4-M10x15 ℓ	4-M10x15 ℓ	4-M10x20 ℓ	4-M10x20 ℓ	6-M10x20 ℓ	6-M10x20 ℓ	
b	φ 65	φ 65	φ 80	φ 80	φ 100	φ 100	φ 120	φ 170	
h	50.8	50.8	66.7	66.7	66.7	95	101.6	101.6	
m	15.9h7	15.9h7	15.9h7	15.9h7	15.9h7	25.4h7	25.4h7	25.4h7	
n	73	73	100	100	100	150	150	150	
q	φ 31.75	φ 31.75	φ 44.45	φ 44.45	φ 44.45	φ 69.85	φ 69.85	φ 69.85	
y	NT30	NT30	NT40	NT40	NT40	NT50	NT50	NT50	



Slide



Dimensions



Fanji	F —	H-Hydraulic	—	IL-Box type	—	20 40	—	63 150	—	R- Flow control valve direction
		P-Pneumatic		GL-Gib type		— Bed length		— Stroke		L
		S-Servo Motor		YL-V type						
		M-Manual				— Cover width		— Cylinder ID		

Example:FHIL-2575-50x125-R



Slide

Specification

MODEL	A	B	C	C1	C2	C3	D	E	F	H	I	J	K	L	Cylinder I.D	Rod	Stroke	Weight
2244	300	35	140	230			35	440	φ 15-6 Hole	140	220	180	220	65	φ 50	φ 20	120	62kgs
2252	300	35	130	205	115		35	520	φ 15-6 Hole	140	220	180	220	200	φ 50	φ 20	200	73kgs
2267	410	35	115	165	205	115	35	670	φ 15-10 Hole	140	220	180	220	65	φ 50	φ 20	220	90kgs
2288	410	35	115	165	205	245	35	800	φ 15-10 Hole	140	220	180	220	220	φ 50	φ 20	370	93kgs
2294	410	40	247	255	178	180	40	940	φ 15-10 Hole	140	220	180	220	360	φ 50	φ 20	510	
2552	360	35	115	165	115		35	520	φ 17-8 Hole	162	250	210	250		φ 60	φ 30	140	
2567	420	35	115	165	205	115	35	670	φ 17-10 Hole	162	250	210	250		φ 60	φ 30	220	110kgs
2575	420	35	115	280	170	115	35	750	φ 17-10 Hole	162	250	210	250		φ 60	φ 30	300	
2594	420	40	247	255	178	180	40	940	φ 17-10 Hole	162	250	210	250		φ 60	φ 30	500	182kgs
25120	420	40	240	200	280	$\frac{200}{200}$	40	1200	φ 17-12 Hole	162	250	210	250		φ 60	φ 30	750	
2552H	360	35	115	165	115		35	520	φ 17-8 Hole	205	250	210	250		φ 60	φ 30	140	94kgs
2567H	420	35	115	165	205	115	35	670	φ 17-10 Hole	205	250	210	250		φ 60	φ 30	220	129kgs
2575H	420	35	115	280	170	115	35	750	φ 17-10 Hole	205	250	210	250		φ 60	φ 30	300	
2594H	420	40	247	255	178	180	40	940	φ 17-10 Hole	205	250	210	250		φ 60	φ 30	500	
25120H	420	40	240	200	280	$\frac{200}{200}$	40	1200	φ 17-12 Hole	205	250	210	250		φ 60	φ 30	750	
3042	360	35	130	230			25	420	φ 17-6 Hole	162	300	260	300		φ 60	φ 30	100	89kgs
3056	360	35	135	220	135		35	560	φ 17-8 Hole	162	300	260	300		φ 70	φ 35	170	115kgs
3067	420	35	115	165	205	115	35	670	φ 17-10 Hole	162	300	260	300		φ 70	φ 35	220	
3075	420	35	115	280	170	115	35	750	φ 17-10 Hole	162	300	260	300		φ 70	φ 35	300	
3080	420	35	165	280	285		35	800	φ 17-8 Hole	162	300	260	300		φ 70	φ 35	350	179kgs
3094	420	40	247	255	178	180	40	940	φ 17-10 Hole	162	300	260	300		φ 70	φ 35	500	175kgs
30120	420	40	240	200	280	$\frac{200}{200}$	40	1200	φ 17-12 Hole	162	300	260	300		φ 70	φ 35	750	
3024H	360	35	130	230			25	420	φ 17-6 Hole	205	300	260	300		φ 60	φ 30	100	95kgs
3056H	360	35	135	220	135		35	560	φ 17-8 Hole	205	300	260	300		φ 70	φ 35	170	
3067H	420	35	115	165	205	115	35	670	φ 17-10 Hole	205	300	260	300		φ 70	φ 35	220	
3075H	420	35	115	280	170	115	35	750	φ 17-10 Hole	205	300	260	300		φ 70	φ 35	300	
3080H	420	35	165	280	285		35	800	φ 17-8 Hole	205	300	260	300		φ 70	φ 35	350	
3094H	420	40	247	255	178	180	40	940	φ 17-10 Hole	205	300	260	300		φ 70	φ 35	500	
30120H	420	40	240	200	280	$\frac{200}{200}$	40	1200	φ 17-12 Hole	205	300	260	300		φ 70	φ 35	750	246kgs
3656	360	35	135	220	135		35	560	φ 17-8 Hole	205	360	306	360		φ 70 φ 80	φ 35 φ 40	170	
3667	420	35	115	165	205	115	35	670	φ 17-10 Hole	205	360	306	360		φ 70 φ 80	φ 35 φ 40	220	
3680	$\frac{420}{(520)}$	35	165	280	285		35	800	φ 17-8 Hole	205	360	306	360		φ 70 φ 80	φ 35 φ 40	$\frac{350}{(250)}$	
3694	525	40	247	255	178	180	40	940	φ 17-10 Hole	205	360	306	360		φ 70 φ 80	φ 35 φ 40	400	
36120	600	40	240	200	280	$\frac{200}{200}$	40	1200	φ 17-12 Hole	205	360	306	360		φ 70 φ 80	φ 35 φ 40	550	
4267	420	35	115	280	205		35	670	φ 17-8 Hole	205	420	366	420		φ 80	φ 40	220	
4294	525	40	247	255	178	180	40	940	φ 17-10 Hole	205	420	366	420		φ 80	φ 40	400	
42120	600	40	240	220	220	$\frac{220}{220}$	40	1200	φ 17-12 Hole	205	420	366	420		φ 80	φ 40	550	
5088	600	40	220	245	170	170	40	885	φ 17-10 Hole	235	500	440	500		φ 90 φ 100	φ 40	250	
50120	600	40	240	200	280	$\frac{200}{200}$	40	1200	φ 17-12 Hole	235	500	440	500		φ 90 φ 100	φ 40	550	
50220	950	80	340	340	$\frac{340}{340}$	$\frac{340}{340}$	80	2200	φ 17-14 Hole	235	500	440	500		φ 90 φ 100	φ 40	1200	